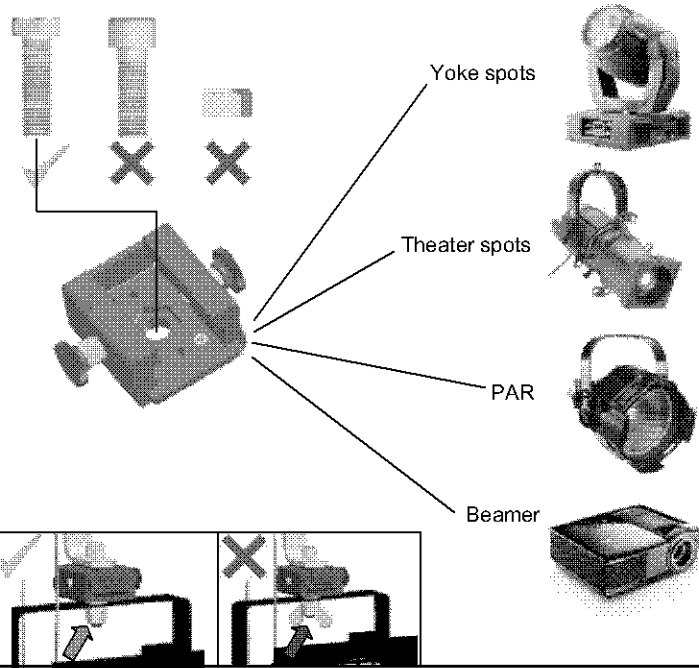
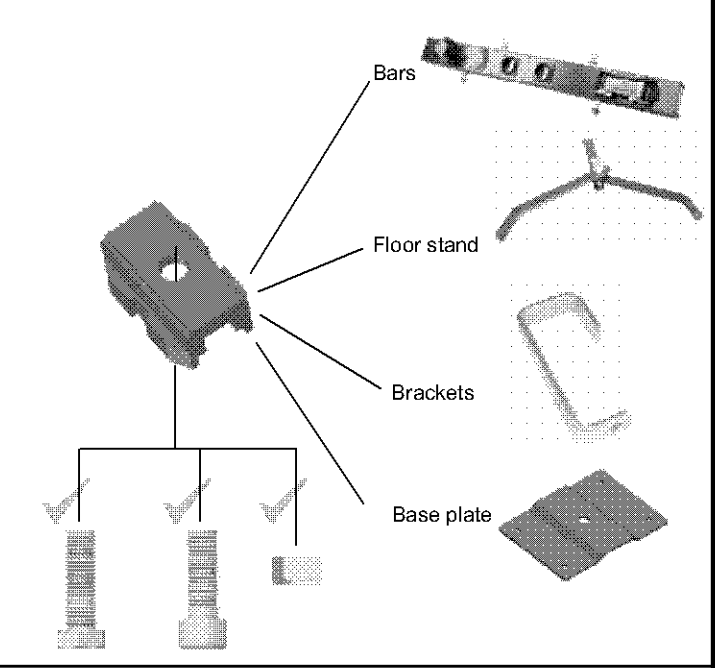


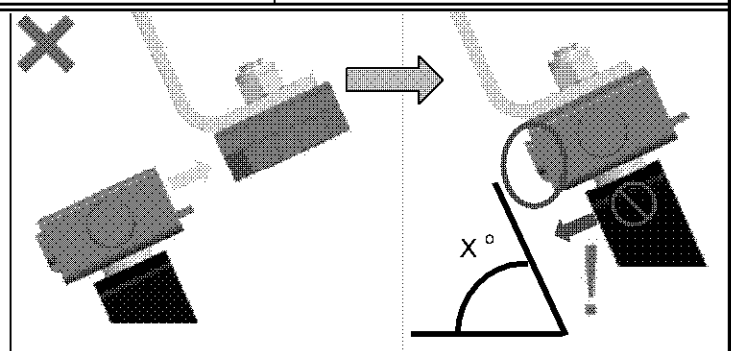
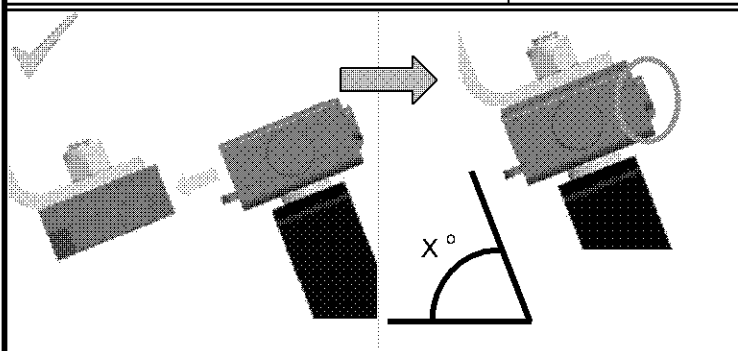
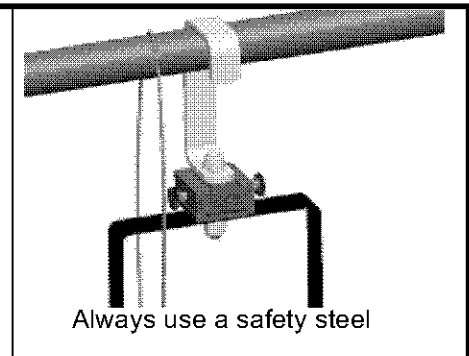
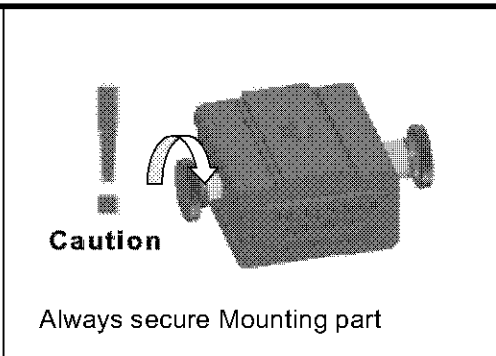
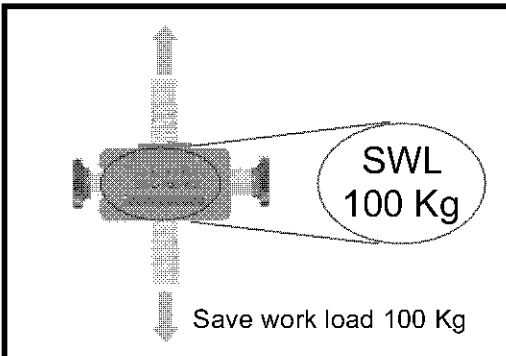
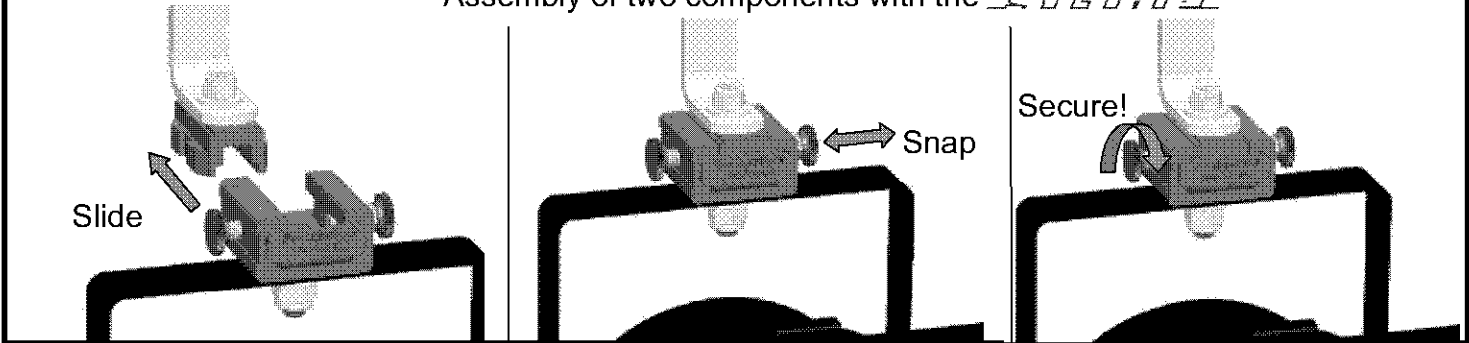
*Slide*® Luminaire Part:



*Slide*® Mounting Part:



Assembly of two components with the *Slide*®



Slide® is a patented product designed by The LightBear.

