

AlpTek

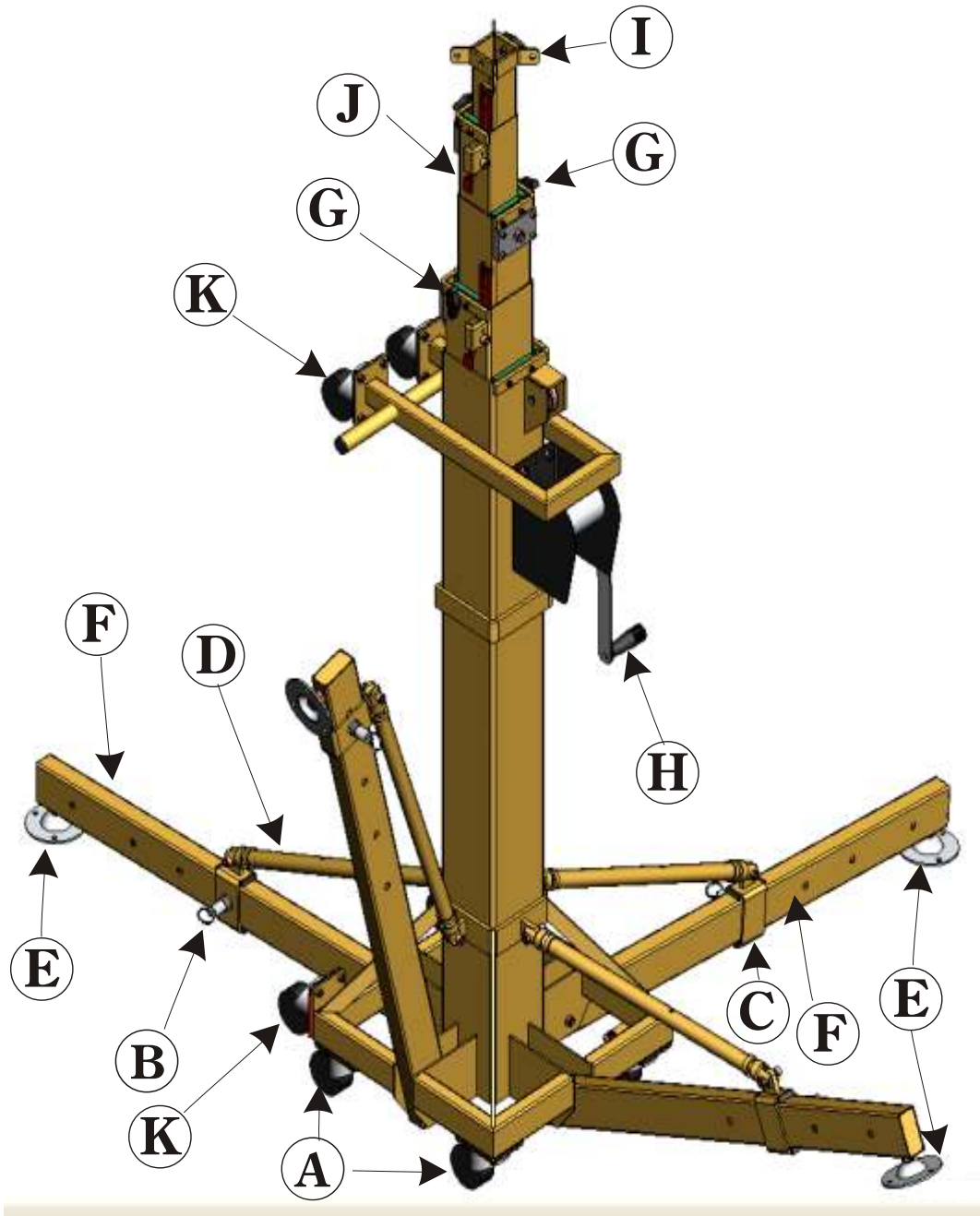


USER GUIDE
SAFETY INSTRUCTIONS



36 Jubilee Trade Centre, Jubilee Road, Letchworth, Herts, SG6 1SP United Kingdom
Telephone (+44) 1462 680654 Fax (+44) 1462 680645
E-mail: info@mobiltech.co.uk Web: www.mobiltech.co.uk
Registered No. 4546619 England VAT No. GB 804 2225 72

AlpTek Series



THIS STAND HAS BEEN MANUFACTURED TO CONFORM TO THE EC NORMS

1. INTRODUCTION

Please read this manual carefully and pay attention to the information provided. Use this manual to familiarise yourself with the stand, its proper use and safety regulations.

These stands have been specially designed to have a very low loading height obtained by a multi-mast configuration. The telescopic masts have been generously sized in order to combine a very low loading height with a maximum of rigidity.

The stand has been made of treated steel to guarantee proper and safe operation for many years even in varying environments. It has been rigorously tested before being dispatched and is a very safe product when operated correctly. Special attention has been placed on security.

The KBS (KEY BLOCKING SYSTEM) guarantees a double security in any lifting or operation position. Additionally, as a third safety device, each mast can be secured with a locking knob.

This complies with the latest EC health and safety regulations BGV-C1 (VBG 70).

All models are equipped with:

- Ⓐ 4 castors for vertical movement
- Ⓑ Easy to use spring powered Leg Slider security pins
- Ⓒ Nylon guided Leg Sliders
- Ⓓ Independent adjustable leg braces
- Ⓔ Auto-levelling galvanised foot plates with securing holes
- Ⓕ Solid wide legs for extra stability
- Ⓖ Large locking Knobs (3rd Safety device)
- Ⓗ Protected manual winch with safety friction brake
- Ⓘ Mast top to attach security cables
- Ⓙ KBS Finger and release
- Ⓚ 4 castors for horizontal transport
- ◆ Spirit level
- ◆ Friction surfaces on nylon sliders
- ◆ All cable pulleys are mounted on ball bearings
- ◆ Usable on slopes and steps

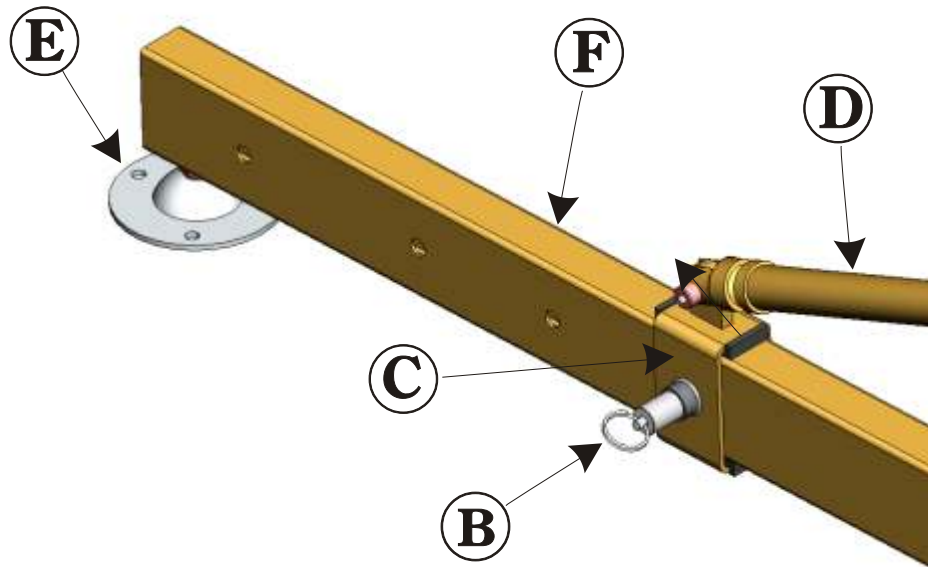
2. TECHNICAL DATA

AlpTek 5500

Maximum load:	200 kg	411 lb.
Maximum height:	5.50 m	18'0"
Minimum height:	1.77 m	5'9"
Footprint:	2.15 m	7'0"
Weight:	115 kg	254 lb.
Closed size:	1.77 m	5'9"
Material:	Treated Steel	
Finish:	Epoxy black painting or electro-galvanised	

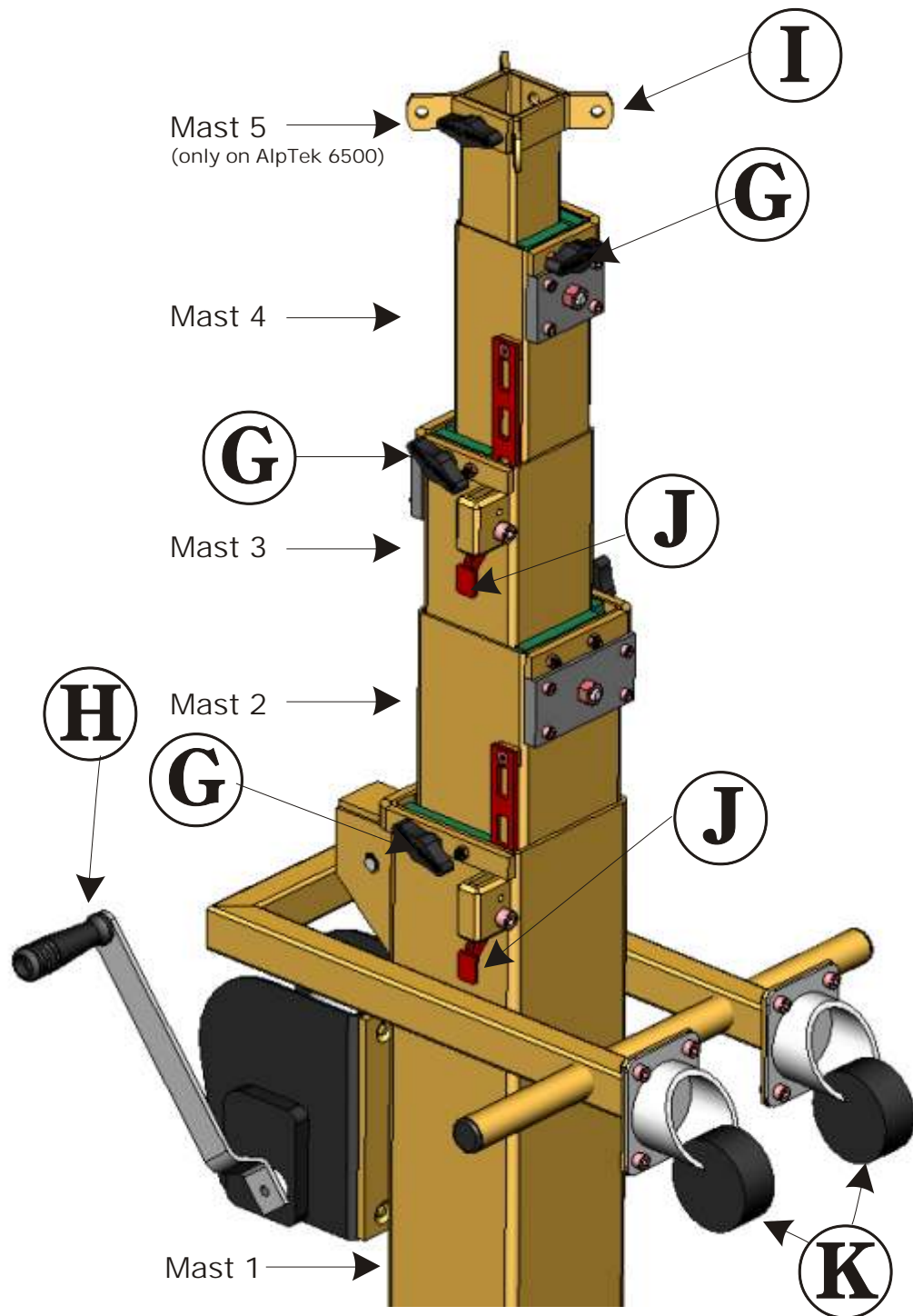
AlpTek 6500

Maximum load:	200 kg	411 lb.
Maximum height:	6.50 m	21'3"
Minimum height:	1.82 m	5'11"
Footprint:	2.50 m	8'2"
Weight:	126 kg	278 lb.
Closed size:	1.82 m	5'11"
Material:	Treated Steel	
Finish:	Epoxy black painting or electro-galvanised	



3. POSITIONING THE AlpTek STAND

- 1) Place the stand in the vertical position on its wheels (A)
- 2) Ensure that the ground is strong enough to support the stand. The stability of the stand is of prime importance for a secure operation.
- 3) Pull the ring (B) to unlock the leg-brace slider (C) and flip the leg (F) from vertical into horizontal position.
- 4) Choose the closest of the 3 holes in the leg (F) and release the ring (B) to lock the leg-brace slider (C) to the leg (F). Ensure that the pin (B) locks safely into the leg hole.
- 5) Repeat step 3) and 4) with the other 3 legs.
- 6) Use the leg-brace screw jacks (D) to ensure the footplate (E) touches the ground
- 7) Continue turning the screw jacks (D) of each leg in sequence until the wheels slightly lift off the ground.
- 8) The air bubble inside the spirit level must be centred to ensure a vertical position.
- 9) When used on a sloping surface, the footplates (E) must be secured to the ground to avoid any sliding.
- 10) When the Stand is securely positioned and vertical, check again that the 4 pins (B) on the leg-brace sliders (C) are properly locked into the holes in the leg.(F) There should be no red mark visible.
- 11) Position the load on the mast-top, using only approved Mobil Tech adapters.
Take care, that the load is secured.
- 12) Attach 4 security cables to the top-mast collar (I) if you use the stand outdoors or in an unstable environment.



IS THE STAND VERTICAL ?

4. LIFTING THE LOAD

- 13) Loosen the top locking knob (G) of the top telescopic mast (smallest)
- 14) Take the safety pin out of the top-mast KBS finger (J) KEY BLOCKING SYSTEM
- 15) Tighten the other locking knobs (G) to ensure a proper lifting order. The top-mast (smallest) has to raise first, followed by the bigger masts below in sequence.
- 16) Turn the winch crank (H) clockwise to raise the top-mast and it's load. On it's maximum height it will block itself. Make sure, the KBS finger is clicked into position.
- 17) Tighten the top locking knob (G) to secure the mast and to avoid any lateral movement.
- 18) Replace the safety pin into the KBS finger (J)
- 19) Repeat step 13) to 18) with the other masts, top to bottom, smallest to biggest until your load is at the desired height.
- 20) You can leave your load resting at any height as long as all security pins are in place and the locking knobs are tightened against its mast.
- 21) If using stabilising cables in an outdoor environment, attach the bottom ends in an approx. 45-degree angle to a safe anchoring point.

5. LOWERING OF THE LOAD (reversing the lifting procedure)

- 22) Before releasing anything, ensure that the winch cable is tight.
- 23) Release the first locking knob (G) on the biggest mast.
- 24) Take the safety pin out of the biggest mast KBS finger (J) KEY BLOCKING SYSTEM
- 25) Keep pressing the KBS finger while turning the winch crank (H) anti-clockwise to lower the load.
If the finger blocks rotate the winch crank a little clockwise to release the pressure on the security device.
- 26) When the bottom mast is in its lowest position, continue lowering all telescopic masts in sequence, repeating step 22) to 25) until you can take your equipment off the stand.

IS THE WINCH CABLE TIGHT ?

- 27) Fold up the legs, reversing the procedure steps 6) to 3)
- 28) Put all safety pins back into position; tighten all locking knobs.
- 29) Turn the winch handle until the cable is tight.
- 30) Your AlpTek is ready for transport.

6. TRANSPORT POSITION

- 31) The steel cable must be correctly and completely rolled up to avoid any crushing of the fibres.
- 32) The stand can be transported in a vertical or horizontal position.

7. MAINTENANCE

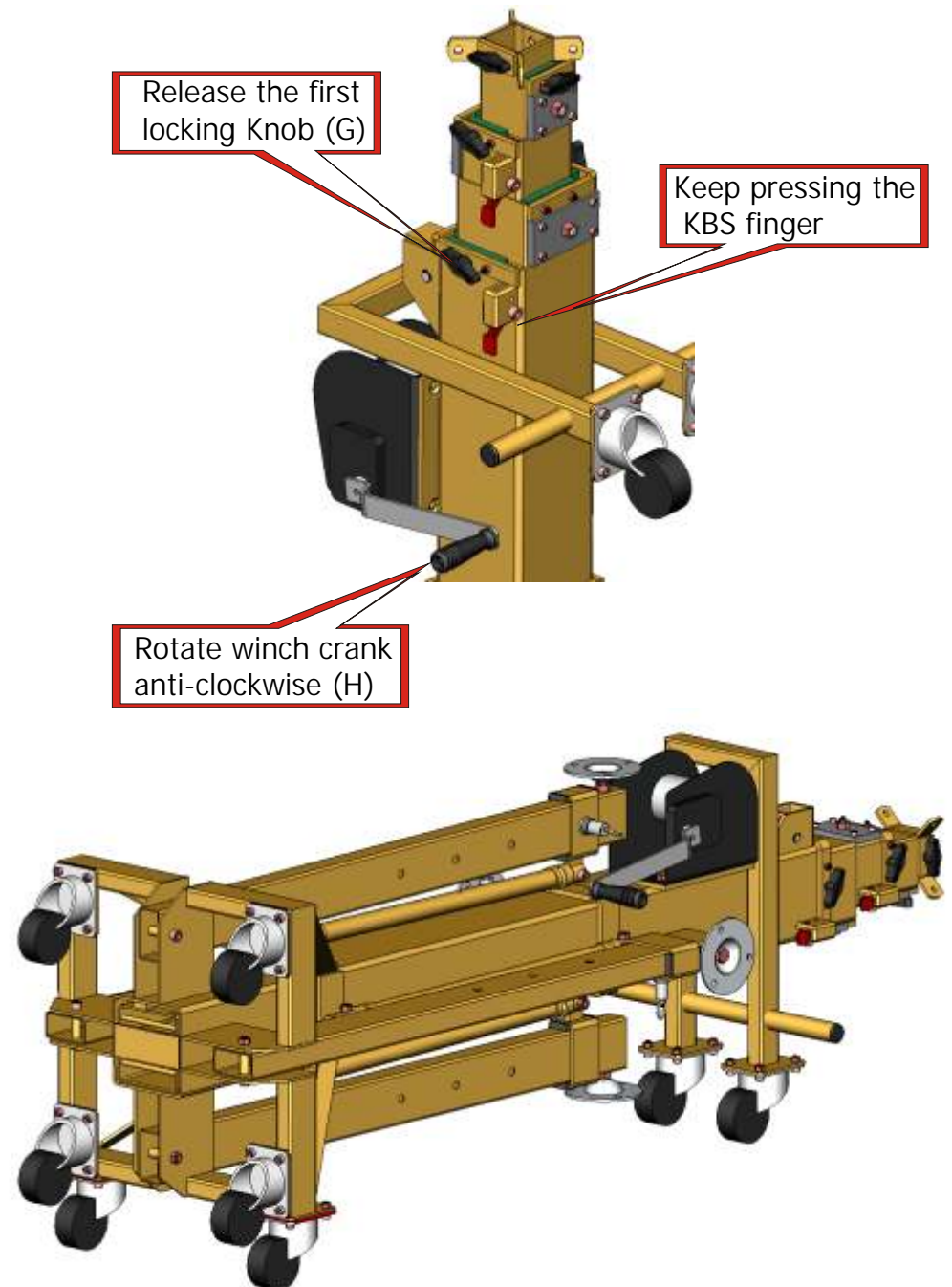
AlpTek Lifts do not need any maintenance under normal circumstances. For safety reasons however, all movable parts must be checked regularly for damages or loss.

- 33) Before each use, inspect the state of the cables for unusual wear, breaks, knots and folds. All damaged cable must be replaced IMMEDIATELY.
- 34) Control the upper and lower junctions of the steel-cable regularly.

The lower end of the cable at the winch can be seen by unrolling the cable from the winch. The upper end of the cable is visibly if the topmast is extended. All screws have to be tight and not damaged.

- 35) Check regularly whether all KBS-Fingers are moving easily, all knobs, safety - and R-Pins are there and not damaged.
- 36) Check all visible screws and axles for their tightness. Missing nuts must immediately be replaced.
- 37) All equipment used often outdoors or in very humid environment must be regularly lubricated (all moving mechanisms excluding brakes)
- 38) Maintenance and repairs can be executed only by authorized personnel. In any doubt you should contact the manufacturer (Address last page)

NEVER LET THE CABLE ONLY SUPPORT THE ENTIRE LOAD



PROPER USE

- AlpTek Telescope-Elevators are designed for lifting decoration-, stage-, lighting- and sound equipment and their carrying constructions. The device is to be used only for its prescribed purpose. Any use other than that mentioned is considered to be a case of misuse. The user/operator and not the manufacturer shall be liable for any damage or injury resulting from such cases of misuse.
- The use of trussing and lifting equipment in a temporary or mobile installation is the sole responsibility of the operator.
- AlpTek stands are designed for hand operation. Any kind of motorising is prohibited.
- For safety reasons, the use of accessories other than MOBIL TECH will invalidate any liability.
- To use the lift you must also observe the safety regulations, the assembly and operating instructions to be found in this manual.
- All persons who use and service this device have to be acquainted with this manual and must be informed about its potential hazards. The regulations of the BVG C1 (VBG70) have to be respected.
- It is also imperative to observe the local accident prevention regulations. The same applies for the general rules of occupational health and safety.
- The manufacturer is not liable for indirect consequential damage and financial loss.
- The manufacturer shall not be liable for any changes made to the device nor for any damage resulting from such changes.

GUARANTEE

- For a period of 12 month we undertake to repair, free of charge any damage attributable to faulty materials or workmanship, provided that the appliance is forwarded, freight paid, to our works or one of the Mobil Tech Intl. contract service organisations.
- The guarantee-period begins with the day of the delivery, proven by a purchase receipt like an invoice or delivery note or their copies.
- The guarantee does not cover damage due to transport damage, negligent handling, overload or parts subject to normal wear and tear. Furthermore not damages, that originate from a case of misuse because of non-observance the instructions in this manual.
- The fitting of replacement parts not supplied by us or modifications of our design by third parties also invalidates the guarantee.
- Guarantee repairs do not renew nor extend the guarantee-period.
- In case of a claim under the guarantee, a malfunction or spare part requirements please contact your point of sale or Mobil Tech Intl.
(Address last page)

IMPORTANT SAFETY MEASURES

- The stand must only be operated in an exactly vertical position
A levelling indicator is in the package.
- Secure the stand to the ground when its used on a sloping surface
- Never exceed the allowed load limits. The load must be centred or evenly distributed on the stand.
- Adequate safety measures must be taken when people work under the loads carried by the truss and the stands. Be careful that the load does not slide to avoid any overhang of the load.
- Safety steel slings and chains must be used on every item hung on the
- truss. The choice of trussing and the stand capacity must be adapted to the load.
- All electrical devices hung on the stand or by the stand must absolutely conform to the technical codes concerning electrical devices (EC norms).
- Never let the cable only support the entire load. Check that all KBS-Fingers are locked in place
- Never move the stand when it is loaded
- Never use the stand to carry people
- Never lean a ladder or other things on the stand
- All sliding and rotating mechanisms used in bad weather must be regularly lubricated.
- Never lubricate the winch brake
- Load the stand using only Mobil Tech or Mobil Tech approved accessories (adapters, saucers...)
- 4 security cables per stand must be used if the stands are operated in outdoor or in an unstable environment, connecting tightly the top-mast collar (I) in an angle of approximately 45 deg down to secure anchoring points
- In compliance with the local law, the annual control of the elevator by an authorised person is compulsory.
- The device has to be taken out of services immediately if, during use, repair or maintenance serious damages are discovered. Re-using is only allowed after proper repair, examination by authorised personnel.
- Maintenance and repairs can be executed only by authorised personnel.
In any doubt you should contact the manufacturer (Address last page)