



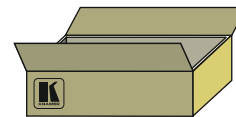
TP-590TXR Quick Start Guide

This guide helps you install and use your product for the first time. For more detailed information, go to <http://www.kramerav.com/manual/TP-590TXR> to download the latest manual or scan the QR code on the left.

Step 1: Check what's in the box

- ✓ TP-590TXR HDMI Line Transmitter
- ✓ Power adapter (48V DC)

- ✓ 8 Rubber feet
- ✓ Quick Start guide

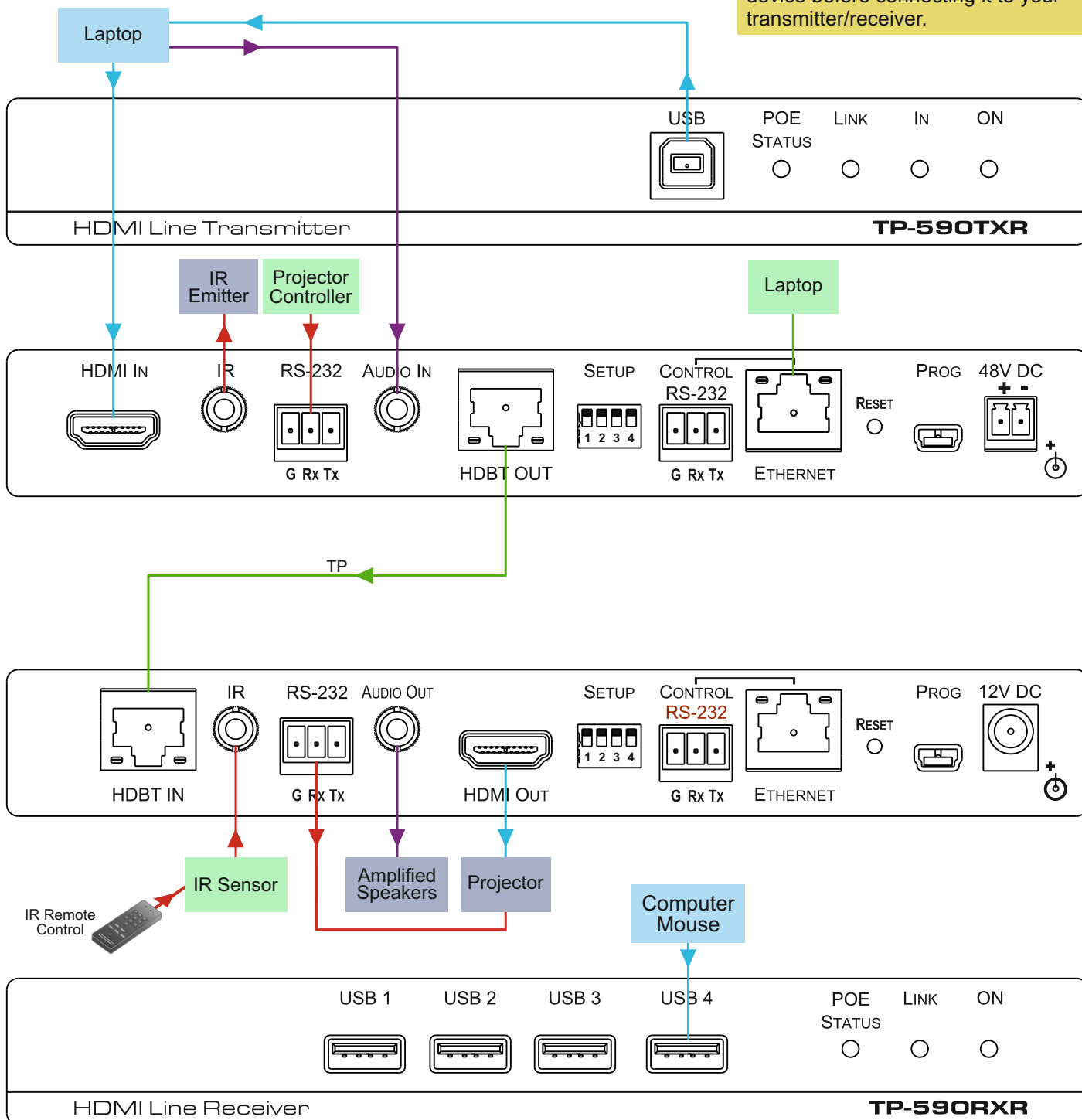


Step 2: Install the TP-590TXR

Mount the device in a rack (using the optional rack adapters available for purchase) or stick the feet to the underside and place it on a shelf.

Step 3: Connect the inputs and outputs

Always switch off the power to each device before connecting it to your transmitter/receiver.



Step 4: Set the DIP-switches

A DIP-switch that is down is on, up is off (default)

#	Feature	Function	DIP-switch
1	Extended Range	Enables extended range when used with either the TP-590RXR or other receivers that support extended range	On—Disable Off—Enable
2	Audio Source Priority	Sets which audio signal takes priority	On—Analog audio Off—Embedded audio
3	EDID Lock	Locks the current EDID and prevents automatic EDID acquisition	On—Lock EDID Off—Automatic EDID acquisition
4	Audio Mode Selection	Sets the audio selection mode, (see table below)	On—Manual Off—Auto

Step 5: Connect the power

Connect the power adapter to the **TP-590TXR** and plug the adapter into the mains electricity.

TP-590TXR Quick Start (P/N: 2900-300510QS REV 1)

