



USB 2.0 Video Conferencing Table Speakerphone

CM-MIC100

CONTENTS

Introduction.....	3
Congratulations	3
Contact	3
Join Avonic	3
Safety Notes	3
Package contents and Accessories	4
Contents.....	4
Product Overview.....	4
Features	4
Product Description	5
Installation	6
Connection Diagram.....	6
Operation Instructions.....	6
Maintenance	6
Appendix	7
Technical Data	7

INTRODUCTION

Congratulations

Thank you for your Avonic purchase. Before beginning to operate this device, please read the manual in order to make sure the best performance is obtained. Save this manual for future reference.

Contact

For any questions or suggestions, contact your reseller or the local distributor of Avonic. Find the local distributor on the website of Avonic. For the most recent version of the manual or datasheet, look at the Avonic website: www.avonic.eu

Join Avonic



facebook.com/avonicPTZ



linkedin.com/company/avonic



twitter.com/avonic

Safety Notes

- Installation and servicing should only be done by Qualified Service Personnel and conform to all local codes.
- This unit is designed for indoor use only and it must not be installed where exposed to water or other liquids and moisture.
- Before powering on the device, check the input power voltage carefully.
- Avoid shock and vibration when transporting and installing the device.
- Electronic devices produce heat. Do not block the ventilation slots of the device and make sure the installation environment is well ventilated to avoid overheating.
- Before cleaning, unplug the power cable. Use a soft, damp cloth to clean the device, do not use strong or abrasive detergent to clean that will damage the device.
- If you wish to dispose this product, please contact Avonic to obtain info about the disposal procedure.

PACKAGE CONTENTS AND ACCESSORIES

Contents

Quantity	Description	Avonic SKU
1 pc	USB 2.0 Video Conferencing Table Speakerphone	CM-MIC100
1 pc	USB 2.0 Cable (Type A to USB mini)	
1 pc	Neoprene Soft Sleeve	

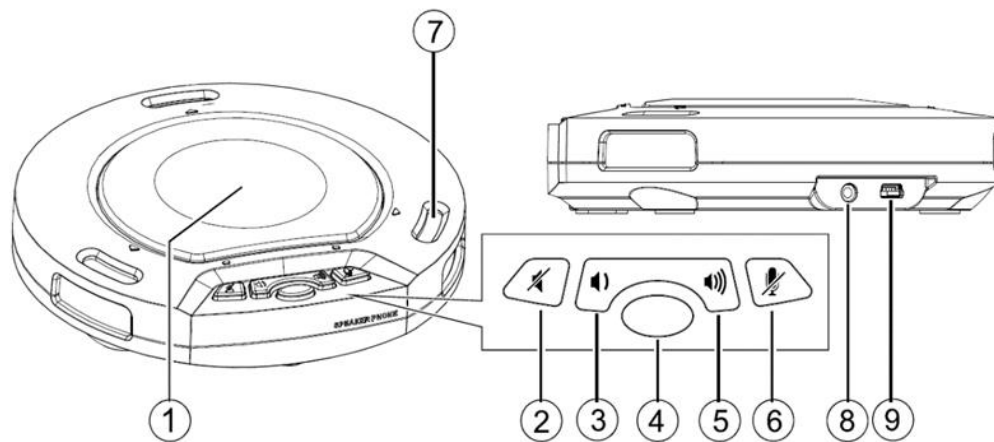
PRODUCT OVERVIEW

The Avonic CM-MIC100 Speakerphone is an ideal USB2.0 table speaker and microphone for video conferencing or personal calls. It is the recommended companion for the Avonic Cameras. Your office can be anywhere with this easy plug-and-play and portable speakerphone. The sound is clear and the 360 pickup gives a very realistic performance.

Features

- Light, classical and elegant, easy to carry
- Firm and compact design
- Full duplex high quality audio
- With 3 cardioid microphones to pick up all voices around the table
- Hassle free full duplex conversation due to enhanced echo and noise cancellation
- Easy plug and play installation
- Ideal for use with Skype for Business and other UC Platforms
- USB powered, no additional power cords or adapter

Product Description



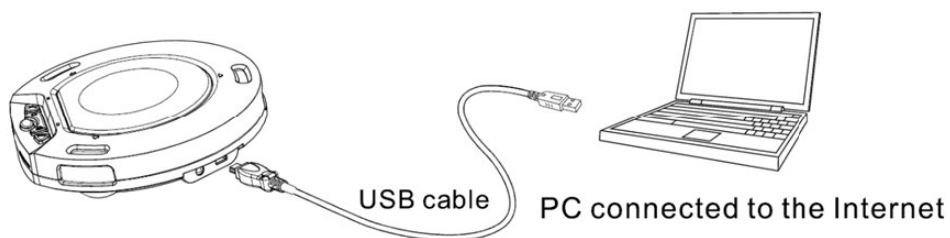
1. Speaker
2. Speaker Mute, the LED is on when the speaker is muted
3. Decrease Volume
4. Mic Zone, the LEDs indicate which mic is active
5. Increase Volume
6. Microphone Mute, the LED is on when mic is muted
7. Three microphones
8. (not in use)
9. USB

INSTALLATION

Connection Diagram

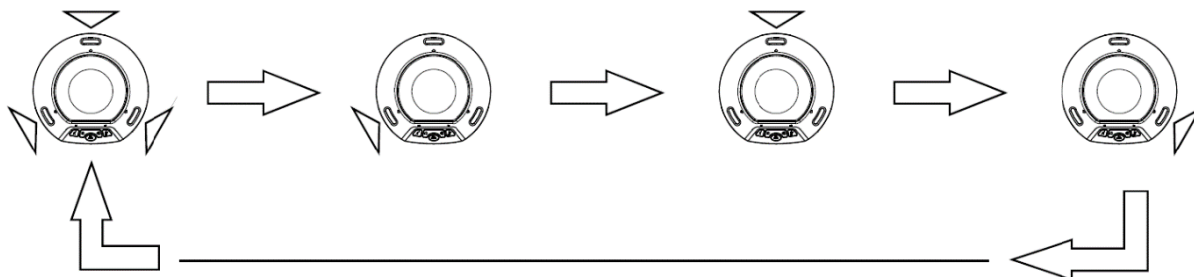
Connect the CM-MIC100 directly to an USB input of the PC. Connecting to a USB hub may result in operation problems.

The Windows OS allows only 1 audio device for audio input or output.



Operation Instructions

Loop through the menu to select the active microphones by pressing the Mic Zone Button.



MAINTENANCE

Before cleaning, unplug the power cable. Use a soft, damp cloth to clean the device, do not use strong or abrasive detergent to clean that will damage the device.

APPENDIX

Technical Data

Console Speaker	1 antimagnetic 3 inch speaker Volume adjustable to 94 dBA SPL (peak) volume at 0.5 meters Frequency bandwidth 300 to 20.000 Hz
Console Microphones	3 cardioid microphones Microphone mute key Up to 3 meter microphone pickup range Gated microphones with intelligent microphone mixing Dynamic noise reduction
Audio Technology	AEC Echo canceller, NR noise canceller, AGC automatic gain controller, NLP Nonlinear echo canceller, ALC automatic level controller, EQ frequency equalizer
Power	USB powered DC 5V 500mA Power consumption: 2.5W
Dimensions	Product Size: 5.5 x 14.8 x 3.7cm, 0.34kg Package Size: 27 x 23x 8.3cm, 0.85 kg