




VIDEOBAR VB1

Please read and keep all safety, security, and use instructions.

Important Safety Instructions

For more information about your Bose Professional Videobar VB1 (including accessories and replacement parts), visit boseprofessional.com/VB1 or contact Bose Professional customer service.

1. Read these instructions.
2. Keep these instructions.
3. Heed all warnings.
4. Follow all instructions.
5. Do not use this apparatus near water.
6. Clean only with a dry cloth.
7. Do not block any ventilation openings. Install in accordance with the manufacturer's instructions.
8. Do not install near any heat sources such as radiators, heat registers, stoves, or other apparatus (including amplifiers) that produce heat.
9. Protect the power cord from being walked on or pinched, particularly at plugs, convenience receptacles, and the point where it exits from the apparatus.
10. Only use attachments/accessories specified by the manufacturer.
11.  Use only with the cart, stand, tripod, bracket, or table specified by the manufacturer or sold with the apparatus. When a cart is used, use caution when moving the cart/apparatus combination to avoid injury from tip-over.
12. Unplug this apparatus during lightning storms or when unused for long periods of time.
13. Refer all servicing to qualified personnel. Servicing is required when the apparatus has been damaged in any way such as power-supply cord or plug is damaged, liquid has been spilled or objects have fallen into the apparatus, the apparatus has been exposed to rain or moisture, does not operate normally, or has been dropped.

WARNINGS/CAUTIONS



This symbol on the product means there is uninsulated, dangerous voltage within the product enclosure that may present a risk of electrical shock.



This symbol on the product means there are important operating and maintenance instructions in this guide.



Contains small parts which may be a choking hazard. Not suitable for children under age 3.



This product contains magnetic material. Consult your physician on whether this might affect your implantable medical device.



Use at altitude less than 2000 meters only.

All Bose Professional products must be installed in accordance with local, state, federal and industry regulations. It is the installer's responsibility to ensure installation of the loudspeakers and mounting system is performed in accordance with all applicable codes, including local building codes and regulations. Consult the local authority having jurisdiction before installing this product.

When positioning the product, make sure it is not blocking any ventilation openings on your display. Refer to the owner's guide for your display and install it in accordance with the manufacturer's instructions.

Do NOT make unauthorized alterations to this product.

When replacement batteries are needed, use only AAA/LR03 alkaline batteries.

The battery provided with this product may present a risk of fire, explosion or chemical burn if mishandled, incorrectly replaced or replaced with an incorrect type. Do not recharge, disassemble, heat, or incinerate.

Keep batteries out of reach of children.

If a battery leaks, do not allow the liquid to come in contact with the skin or eyes. If contact is made, seek medical advice.

Do not expose products containing batteries to excessive heat (e.g. from storage in direct sunlight, fire or the like).

Only use the included hardware to mount this product.

Only for wall-mounting on the following surfaces: Wallboard $\geq \frac{3}{8}$ in (10 mm)

If mounted on surfaces other than stated above, please contact a professional installer.

The interconnect cables included with this system are not approved for in-wall installation. Please check your local building codes for the correct type of wire and cable required for in-wall installation.

Do not mount on surfaces that are not sturdy, or that have hazards concealed behind them, such as electrical wiring or plumbing.

Do NOT use in vehicles or boats.

Due to ventilation requirements, Bose Professional does not recommend placing the product in a confined space such as in a wall cavity or in an enclosed cabinet.

Do not place or install the bracket or product near any heat sources, such as fireplaces, radiators, heat registers or other apparatus (including amplifiers) that produce heat.

Keep the product away from fire and heat sources. Do NOT place naked flame sources, such as lighted candles, on or near the product.

To reduce the risk of fire or electrical shock, do NOT expose the product to rain, liquids, or moisture.

Do NOT expose this product to dripping or splashing and do not place objects filled with liquids, such as vases, on or near the product.

This product is not intended for installation or use in indoor water facility areas (including, without limitation, indoor pools, indoor water parks, hot tub rooms, saunas, steam rooms and indoor skating rinks).

Do not mount the product in locations where condensation may occur.

Do NOT use a power inverter with this product.

Use this product only with the power supply provided.

Where the mains plug or an appliance coupler is used as the disconnect device, the disconnect device shall remain readily operable.

Regulatory Information

Dimensions (H × W × D): 48 × 659 × 102 mm (1.9 × 27.0 × 4.0 in)

Net Weight: 2.5 kg (5.6 lb)

Input Rating: 24 VDC $\overline{\text{---}}$, 1.875 A

This equipment should be installed and operated with a minimum distance of 20 cm between radiator and your body. Shielded cables are required to maintain regulatory compliance

CAN ICES-3 (B)/NMB-3(B)

Information About Products That Generate Electrical Noise (FCC Compliance Notice for US)

NOTE: This equipment has been tested and found to comply with the limits for a Class B digital device, pursuant to Part 15 of the FCC Rules. These limits are designed to provide reasonable protection against harmful interference in a residential installation. This equipment generates, uses, and can radiate radio frequency energy and, if not installed and used in accordance with the instructions, may cause harmful interference to radio communications. However, there is no guarantee that interference will not occur in a particular installation. If this equipment does cause harmful interference to radio or television reception, which can be determined by turning the equipment off and on, the user is encouraged to try to correct the interference by one or more of the following measures:

- Reorient or relocate the receiving antenna.
- Increase the separation between the equipment and receiver.
- Connect the equipment into an outlet on a circuit different from that to which the receiver is connected.
- Consult the dealer or an experienced radio/TV technician for help.

Changes or modifications not expressly approved by Bose Professional could void the user's authority to operate this equipment.

This device complies with part 15 of the FCC Rules and with ISED Canada's license-exempt RSS standard(s).

Operation is subject to the following two conditions: (1) This device may not cause harmful interference, and (2) this device must accept any interference received, including interference that may cause undesired operation.

Management Regulation for Low-power Radio-frequency Devices

Article XII: According to "Management Regulation for Low-power Radio-frequency Devices", without permission by the NCC, any company, enterprise, or user is not allowed to change frequency, enhance transmitting power, or alter original characteristics, as well as performance, to an approved low power radio-frequency device.

Article XIV: The low power radio-frequency devices shall not influence aircraft security and interfere with legal communications; If found, the user shall cease operating immediately until no interference is achieved. The said legal communications means radio communications in compliance with the Telecommunications Act.

The low power radio-frequency devices must be susceptible with the interference from legal communications or ISM radio wave radiated devices.

CE Bose Professional hereby declares that this product is in compliance with the essential requirements and other relevant provisions of Directive 2014/53/EU and all other applicable EU directive requirements. The complete declaration of conformity can be found at: www.Bose.com/compliance.

UK CA This product conforms to all applicable Electromagnetic Compatibility Regulations 2016 and all other applicable UK regulations. The complete declaration of conformity can be found at: www.Bose.com/compliance.

Bose Professional hereby declares that this product is in compliance with the essential requirements per Radio Equipment Regulations 2017 and all applicable UK regulations. The complete declaration of conformity can be found at: www.Bose.com/compliance.

This device for operation in the 5150–5250 MHz is only for indoor use to reduce the potential for harmful interference to co-channel mobile satellite systems.

For Europe:

Frequency band of operation 2400 to 2483.5 MHz:

Bluetooth® /Wi-Fi: Maximum transmit power less than 20 dBm EIRP.

Bluetooth Low Energy: Maximum power spectral density less than 10 dBm/MHz EIRP.

Frequency bands of operation 5150 to 5350 MHz and 5470 to 5725 MHz:

Wi-Fi: Maximum transmit power less than 20 dBm EIRP.

This device is restricted to indoor use when operating in the 5150 to 5350 MHz frequency range in all EU Member States listed in the table.

	BE	DK	IE	UK(NI)	FR	CY	SK	HU	AT	SE	BG	DE	PT	EL
	HR	LV	LT	MT	PL	CZ	EE	FI	ES	IT	RO	LU	NL	SI



This symbol means the product must not be discarded as household waste, and should be delivered to an appropriate collection facility for recycling. Proper disposal and recycling helps protect natural resources, human health, and the environment. For more information on disposal and recycling of this product, contact your local municipality, disposal service, or the shop where you bought this product.



Please dispose of used batteries properly, following any local regulations. Do not incinerate.



China Restriction of Hazardous Substances Table

Names and Contents of Toxic or Hazardous Substances or Elements						
Toxic or Hazardous Substances and Elements						
Part Name	Lead (Pb)	Mercury (Hg)	Cadmium (Cd)	Hexavalent (Cr(VI))	Polybrominated Biphenyl (PBB)	Polybrominated diphenylether (PBDE)
PCBs	X	0	0	0	0	0
Metal Parts	X	0	0	0	0	0
Plastic Parts	0	0	0	0	0	0
Speakers	X	0	0	0	0	0
Cables	X	0	0	0	0	0

This table is prepared in accordance with the provisions of SJ/T 11364.

O: Indicates that this toxic or hazardous substance contained in all of the homogeneous materials for this part is below the limit requirement of GB/T 26572.

X: Indicates that this toxic or hazardous substance contained in at least one of the homogeneous materials used for this part is above the limit requirement of GB/T 26572.

Taiwan Restriction of Hazardous Substances Table

Equipment name: Bose Videobar VB1 Type designation: 433869						
Restricted substances and its chemical symbols						
Unit	Lead (Pb)	Mercury (Hg)	Cadmium (Cd)	Hexavalent chromium (Cr+6)	Polybrominated biphenyls (PBB)	Polybrominated diphenyl ethers (PBDE)
PCBs	-	o	o	o	o	o
Metal Parts	-	o	o	o	o	o
Plastic Parts	o	o	o	o	o	o
Speakers	-	o	o	o	o	o
Cables	-	o	o	o	o	o

Note 1: "o" indicates that the percentage content of the restricted substance does not exceed the percentage of reference value of presence.

Note 2: The "-" indicates that the restricted substance corresponds to the exemption.

Date of Manufacture: The eighth digit in the serial number indicates the year of manufacture; "3" is 2013 or 2023.

China Importer: Bose Electronics (Shanghai) Company Limited, Level 6, Tower D, No. 2337 Gudai Rd. Minhang District, Shanghai 201100

EU Importer: Bose Products B.V., Gorslaan 60, 1441 RG Purmerend, The Netherlands

Mexico Importer: Bose de México, S. de R.L. de C.V., Paseo de las Palmas 405-204, Lomas de Chapultepec, 11000 México, D.F. Phone Number: +5255 (5202) 3545

Taiwan Importer: Bose Taiwan Branch, 9F-A1, No. 10, Section 3, Minsheng East Road, Taipei City 104, Taiwan. Phone Number: +886-2-2514 7676

UK Importer: Bose Limited Bose House, Quayside Chatham Maritime, Chatham, Kent, ME4 4QZ, United Kingdom

Bose Corporation, Framingham, MA 01701, U.S.A. 1-877-230-5639

Product Power State Table

The product, in accordance with the Ecodesign Requirements for Energy Related Products Directive 2009/125/EC, is in compliance with the following norm(s) or document(s): Regulation (EC) No. 1275/2008, as amended by Regulation (EU) No. 801/2013.

Required Power State Information	Power Modes	
	Standby	Networked Standby
Power consumption in specified power mode, at 230 V/50 Hz input	≤ 0.5 W	Wi-Fi, Ethernet, <i>Bluetooth</i> ≤ 2.0 W
Time after which equipment is automatically switched into mode	≤ 2.5 hours	≤ 20 minutes
Power consumption in networked standby if all wired network ports are connected and all wireless network ports are activated, at 230 V/50 Hz input	≤ 2.0 W	≤ 2.0 W
Network port deactivation/activation procedures. Deactivating all networks will enable standby mode.	<p>Wi-Fi: Deactivate by restoring the factory default settings: Press and hold the Home and Autoframe buttons on the remote control simultaneously for 5 seconds, or press and hold the Mute and <i>Bluetooth</i> buttons on the side of the unit simultaneously for 5 seconds. Activate via Videobar Mobile application.</p> <p>Ethernet: Deactivate by removing the Ethernet cable. Activate by inserting the Ethernet cable.</p> <p><i>Bluetooth</i>: Deactivate by restoring the factory default settings: Press and hold the Home and Autoframe buttons on the remote control simultaneously for 5 seconds, or press and hold the Mute and <i>Bluetooth</i> buttons on the side of the unit simultaneously for 5 seconds. Activate by pairing with a <i>Bluetooth</i> source.</p>	

External Power Supply Technical Information

The external power supply provided with the product, in accordance with the Ecodesign Requirements for Energy Related Products Directive 2009/125/EC, is in compliance with the following norms(s) or documents(s): Commission Regulation (EU) 2019/1782.

Manufacturer	Bose Products B.V.
Commercial registration number	36037901
Address	Gorslaan 60 1441 RG Purmerend The Netherlands
Model identifier	DT24V-1.8C-DC
Input voltage	100 V–240 V
Input AC frequency	50 Hz/60 Hz
Output voltage	24 VDC
Output current	1.9 A
Output power	45 W
Average active efficiency	89.9%
Efficiency at low load (10%)	87.0%
No-load power consumption	0.07 W

Licenses and Legal Information

Bose is a trademark of Bose Corporation.

Videobar is a trademark of Transom Post OpCo LLC.



DisplayLink® is the registered trademark of DisplayLink Corp. in the EU, the US, and other countries.



The terms HDMI and HDMI High-Definition Multimedia Interface, and the HDMI logo are trademarks or registered trademarks of HDMI Licensing Administrator, Inc.

Android and Google Play are trademarks of Google LLC.

The *Bluetooth*® word mark and logos are registered trademarks owned by Bluetooth SIG, Inc. and any use of such marks by Bose Professional is under license.

macOS is a trademark of Apple Inc.

USB Type-C® and USB-C® are registered trademarks of USB Implementers Forum and are only intended for use with products based on and compliant with the USB Type-C® cable and connector specification.

Wi-Fi is a registered trademark of Wi-Fi Alliance®.

All other trademarks are the property of their respective owners.

To view the license disclosures that apply to the third-party software packages included as components of the Videobar VBI:

Videobar VBI: Download and open the **Videobar Mobile** application, tap the **Settings** icon, and then tap **End User License Agreement**.

Videobar Mobile application: Tap the **Settings** icon, and then tap **End User License Agreement**.

Videobar Configuration application or WebUI: Click the **Settings** icon, and then click **End User License Agreement**.

Videobar Administration application: Click the menu (≡), click **About Videobar Administration**, and then click **End User License Agreement**.

The Bose Professional privacy policy is available at [boseprofessional.com](https://www.boseprofessional.com).

©2023 Transom Post OpCo LLC. No part of this work may be reproduced, modified, distributed or otherwise used without prior written permission.

Please complete and retain for your records.

The serial and model numbers are located on the rear panel of the product.

Serial number: _____

Model number: _____

Warranty Information

This product is covered by a limited warranty.

For warranty details, visit [boseprofessional.com/warranty](https://www.boseprofessional.com/warranty).

WHAT'S IN THE CARTON

Contents	10
----------------	----

SETUP

General Mounting Guidelines	12
Mounting the VB1 on a Table, Shelf, or Credenza	13
Wall-mounting the VB1	14
Camera Privacy Cover	19
Cable Connections	20
Cable Management.....	21

SOFTWARE APPLICATIONS

Videobar Configuration App and WebUI.....	24
Videobar Administration App.....	26
Videobar Mobile App.....	26

PRODUCT DETAILS

Panels.....	27
Front Panel.....	27
Side Panel	28
Rear Panel.....	29
Remote Control.....	30
Light Bar	31

OPERATION

Starting a Meeting..... 34

Adjusting the Camera 35

Resetting the Camera..... 35

Adjusting the Pan and Tilt Angles..... 35

Adjusting the Zoom Ratio 36

Saving and Recalling a Preset..... 36

Enabling/Disabling Autoframing 37

Managing Audio Levels 38

Local Audio Playback 38

Meeting Audio 38

Adjusting Audio Levels 38

Manage Bluetooth Devices 39

Pairing a Bluetooth Device with VB1..... 39

Disconnecting a Bluetooth Device from the VB1..... 39

Low-Power Modes..... 40

CARE AND MAINTENANCE

Clean the VB1..... 41

Replacement Parts and Accessories 41

Limited Warranty..... 41

Serial Number Locations..... 41

Restore the Factory Default Settings..... 42

Forgotten Password 42

Update the Software 42

TROUBLESHOOTING

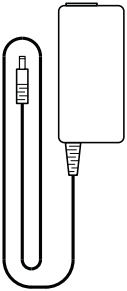
Try these solutions first. 43

WHAT'S IN THE CARTON

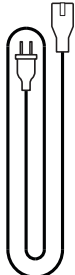
Contents



Videobar VB1



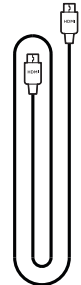
Power supply



Power cord



USB Type-C® cable



HDMI cable

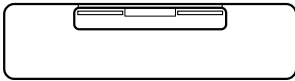
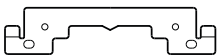


Table stand

A  Table stand screw (2)



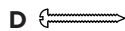
Wall-mount bracket



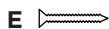
B Large drywall anchor (4)



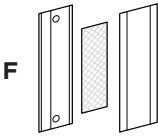
C Drywall anchor pushpin



D Pan-head screw (2)

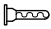


E Flat-head screw (2)

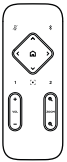


G  Small drywall anchor (2)

H  Small flathead screw (2)

J  Small drywall anchor

K  Small flathead screw



Remote control



Quick start guide



AAA/LR03 batteries (2)

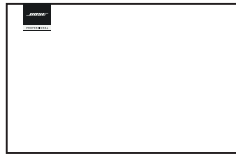
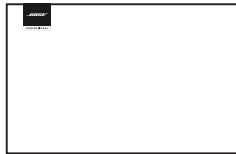


Table-mount setup guide



Camera privacy cover



Wall-mount setup guide



USB-C-to-A adapter



2-pin Euroblock connector



Safety instruction guide

SETUP

General Mounting Guidelines

Do NOT place the VB1 on its front, back or top when in use.

Do NOT place any objects on top of the VB1.

Avoid placing the VB1 near air conditioning vents, heaters or radiators, fans, or other sources of noise or vibrations.

To avoid wireless interference, keep other wireless equipment **0.3-0.9 m (1-3 ft)** away from the VB1. Place the VB1 outside and away from metal cabinets, other audio/video components and direct heat sources.

Make sure there is an AC (mains) outlet nearby.

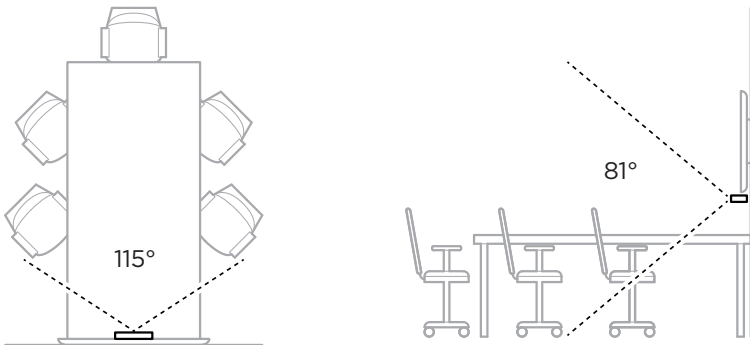
Place the VB1 directly below (preferred) or above your TV with the grille facing into the room.

For best sound quality, do NOT place the VB1 in an enclosed cabinet or diagonally in a corner.

Make sure the seating area of all meeting participants fits within the camera's field of view (FOV). All meeting participants must be in the FOV in order for the autoframing feature to work properly (see **Enabling/Disabling Autoframing (Page 37)**).

The FOV of the VB1 camera is 115° horizontal, 81° vertical.

Make sure the meeting room can be well lit during a meeting.

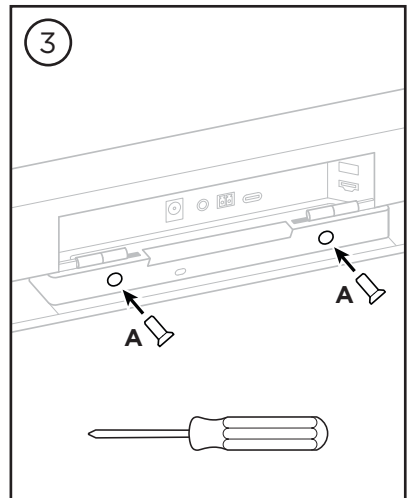
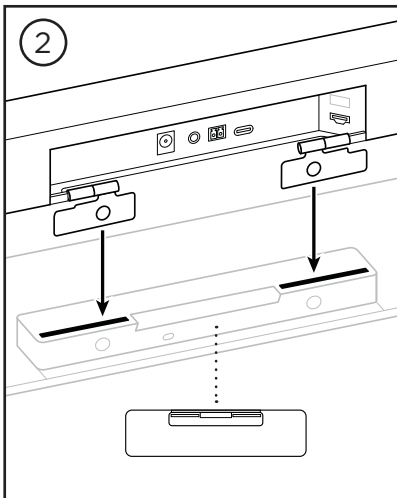
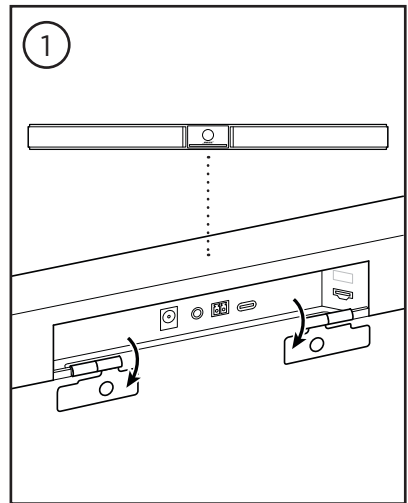
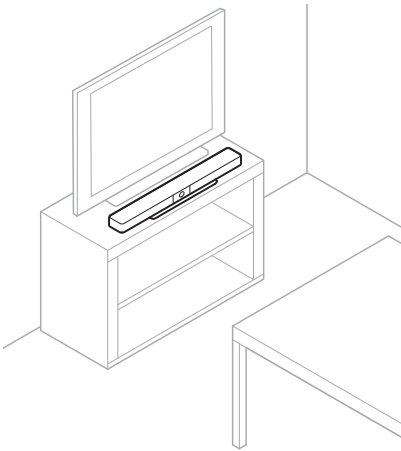


Mounting the VB1 on a Table, Shelf, or Credenza

For best performance, when setting up the VB1 on a table, shelf, credenza, etc., follow these recommendations:

Place the VB1 in its table stand on a stable and level surface.

Position the front of the VB1 so the supporting surface is not visible in the camera's image. Make sure the meeting room can be well lit during a meeting.



Wall-mounting the VB1

For best performance, follow these recommendations when setting up the VB1 on a wall:

When determining where to attach the wall-mount bracket to the wall, make sure there is enough space around the bracket to fit the VB1:

There must be at least **3.8 cm (1.5 in)** above the wall-mount bracket. This will allow you to “hang” the VB1 on it (Step 7) and to adjust the angle of the VB1. It will also provide enough space to access the rear-panel connections on the VB1.

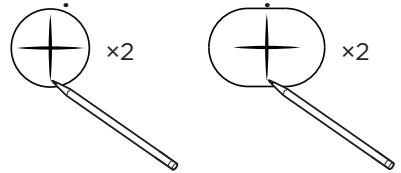
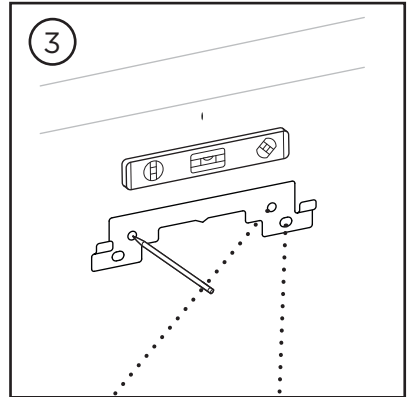
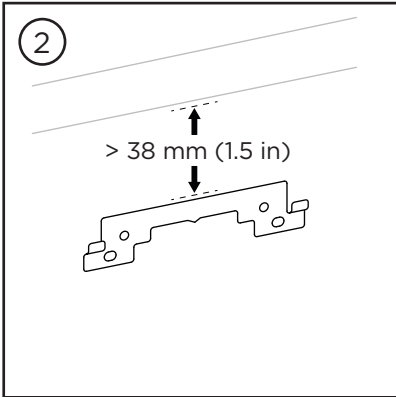
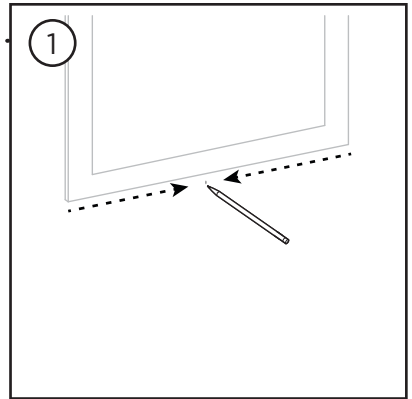
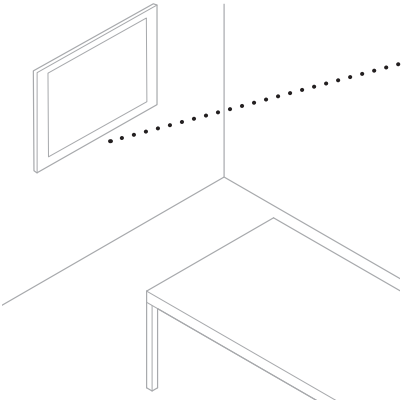
There must be at least **11.4 cm (4.5 in)** below the wall-mount bracket. This will allow you to hang the VB1 vertically during installation to insert cables and to adjust the angle of the VB1.

The space must be at least **73.7 cm (29.0 in)** wide—with the wall-mount bracket in the center of it. This is necessary to accommodate the VB1 plus space to access the acoustic port and buttons on the sides of the VB1 (there should be **2.5 cm (1.0 in)** on each side).

Only use the included hardware to mount this product.

Note: Some additional tools are required.

Note: Read the included Important Safety Instructions before continuing.



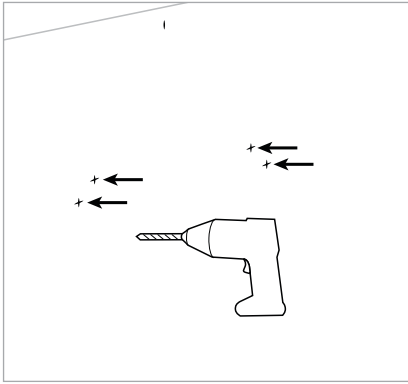
4

WARNINGS:



Do not mount on surfaces that are not sturdy, or that have hazards concealed behind them, such as electrical wiring or plumbing. If unsure, please contact a professional installer.

The included hardware is not suitable for masonry surfaces.

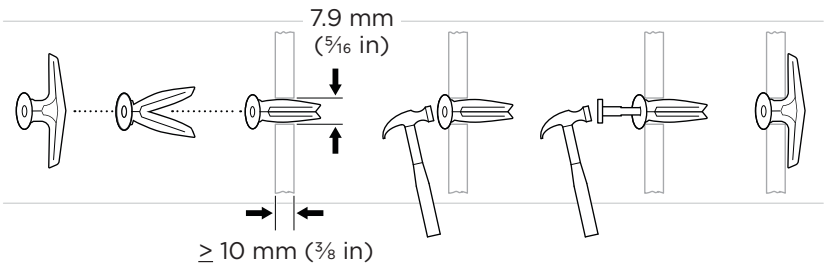


Wallboard
7.9 mm ($\frac{5}{16}$ in)

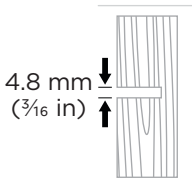


**Wood stud/
metal stud**
4.8 mm ($\frac{3}{16}$ in)

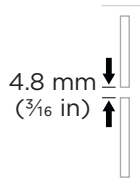
Wallboard

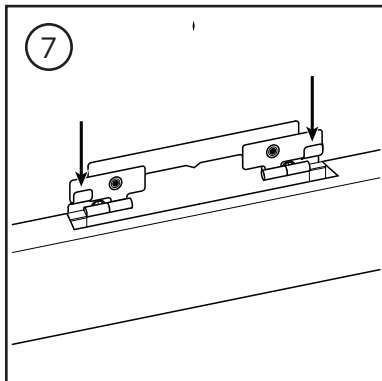
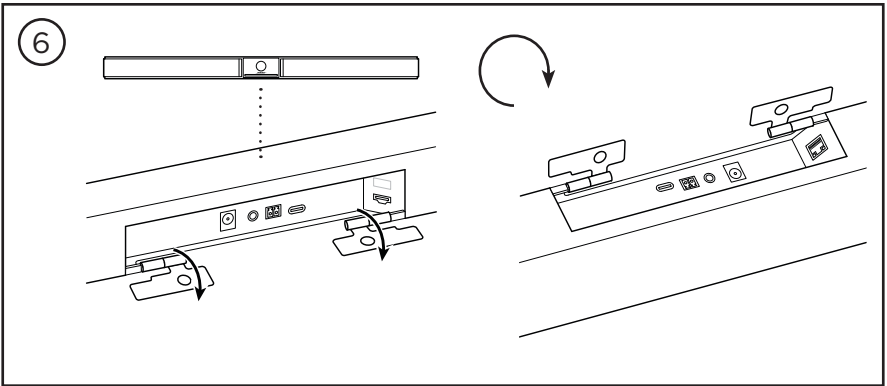
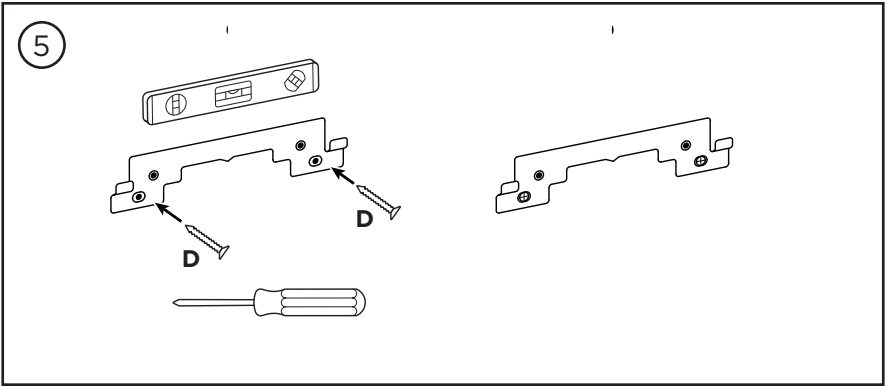


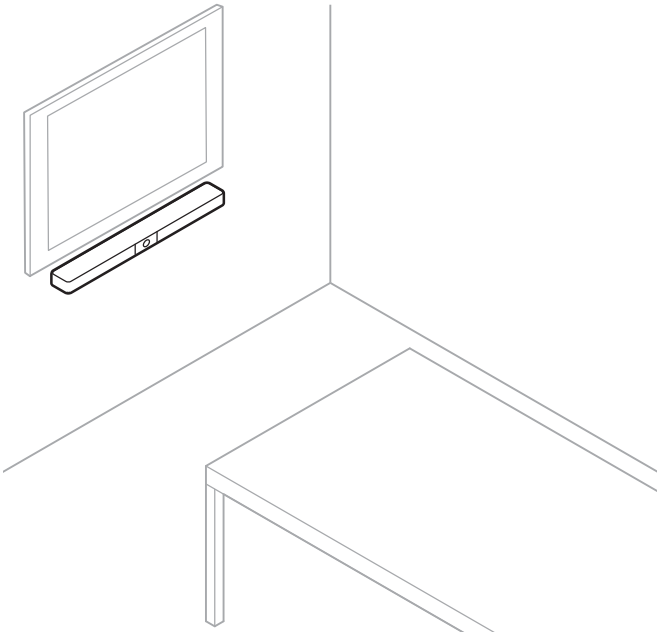
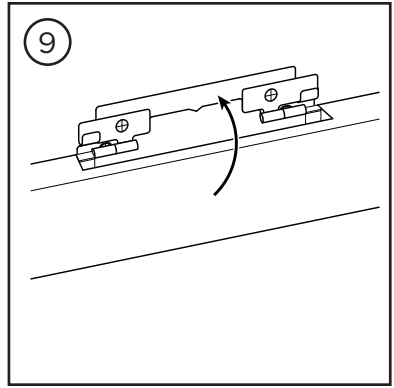
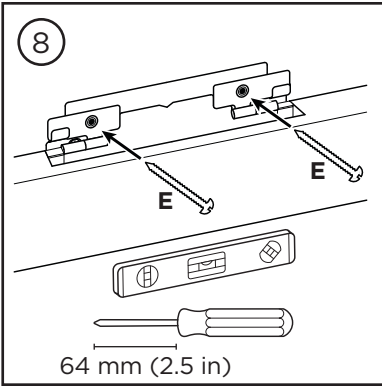
Wood stud



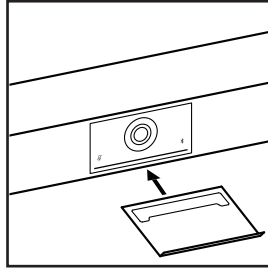
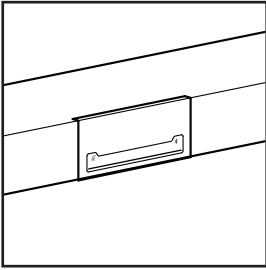
Metal stud







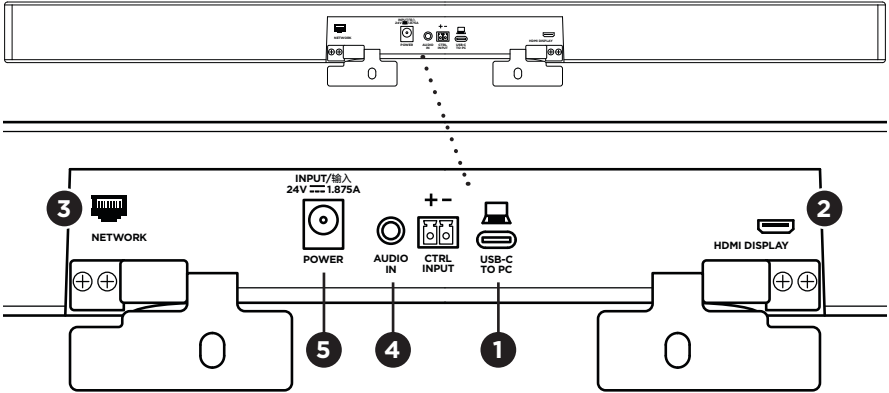
Camera Privacy Cover



The included camera privacy cover enables you to completely cover the camera's field of view without hiding the indicators and the light bar.

The cover is magnetic and will stay in place when mounted on the VB1 lens as shown. For storage when not in use, secure the cover to the bottom surface below the lens.

Cable Connections



1. Connect the included USB-C® cable to the **USB-C** port.
Leave the other end of this cable on the table, so the meeting host can easily connect or disconnect their computer each meeting.
Note: If a computer hosting a meeting has USB-A ports only, attach the included USB-C-to-A adapter to the computer end of the USB-C cable.
2. **Optional:** Use the included HDMI cable to connect the **HDMI Display** port to an HDMI port on a video display or monitor.
Note: The host computer must have the latest DisplayLink® driver installed, and the VB1 must have its DisplayLink setting enabled (disabled by default) for the HDMI output to function. Visit displaylink.com/downloads to download the latest driver. Enable or disable the DisplayLink setting using the Videobar Configuration app or WebUI or Videobar Administration app (see **Software Applications (Page 23)**).
3. **Optional:** If you will use the VB1 in a network, use a Cat 5 cable (not included) to connect the **Network** port to a port on a LAN port, a network switch, etc.
4. **Optional:** For auxiliary audio from an analog audio output on a display, connect a 3.5 mm (1/8 in) stereo cable (not included) to the **Audio In** jack.
The pin-out configuration is:
 1. Tip = Left audio in
 2. Ring = Right audio in
 3. Sleeve/Ring 2 = Ground
5. Connect the included power supply to the **Power** input.
6. Use the included power cable to connect the power supply to a power outlet. The VB1 will power on automatically when connected to a power source.

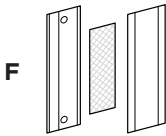


There are several software apps that enable you to configure the Videobar VB1 for optimal performance. See **Software Applications (Page 23)** for more information.

If you need to use a USB extender, visit boseprofessional.com/VB1 for a list of recommended third-party USB extenders for use with VB1.

Cable Management

The included cable management cover can hold all permanent cabling in place against a wall.



G  Small drywall anchor (2)

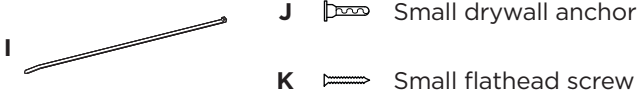
H  Small flathead screw (2)

To install the cable management cover:

1. Place and hold the back of the cable cover **(F)** (the piece with the screw holes) against desired location on wall.
2. Mark the center of the two screw holes on wall, and remove the back of the cable cover.
3. If that part of the wall has a stud behind it, drill two **2.4 mm (3/32 in)** holes into the wall.

If that part of the wall has no stud behind it, drill two **5 mm (3/16 in)** holes into the wall.

4. If that part of the wall has no stud behind it, drive the two small drywall anchors **(G)** into the wall.
5. Align the back of the cable cover **(F)** with the screw holes.
6. Drive the two small flat-head screws **(H)** into the back of the cable cover to secure it to the wall.
7. Gather the cables and place along the “guide” of the back of the cable cover (on the wall).
8. Remove the adhesive strip from the cable cover foam **(F)**.
9. Firmly place the foam strip on the back of the cable cover, next to the gathered cables.
10. Place the front of the cable cover **(F)** over gathered cables and foam so it adheres.



To fasten the power supply cord to the wall:

1. Determine where on the wall you want to fasten the power supply cord.
2. Mark a screw hole on wall.
3. If that part of the wall has a stud behind it, drill a **2.4 mm (3/32 in)** hole into the wall.
If that part of the wall has no stud behind it, drill a **5 mm (3/16 in)** hole into the wall.
4. If that part of the wall is has no stud behind it, drive the small drywall anchor (**J**) into the wall.
5. Align the eyelet of the cable tie (**I**) with the screw hole.
6. Drive the small flat-head screw (**H**) into the eyelet of the cable tie to secure it to the wall.

SOFTWARE APPLICATIONS

Three software applications enable you to configure the Videobar VB1:

Use Videobar Configuration software — available for Windows and macOS or via web browser — for device setup and configuration.

Features:

- Control camera: pan, tilt, zoom, presets, and autoframing

- Password-protected administration and configuration

- Install firmware updates, create and apply configuration profiles, enable or disable HDMI output (DisplayLink), adjust network, *Bluetooth*, and advanced camera settings, and more

- Notifies you if a Videobar device software update is available

- Available for Windows and macOS or via web browser, which provides all the functionality of the desktop software over a network connection

Use Videobar Administration software for remote management, for single-device or enterprise-wide, multi-device changes, and to view device status in real time.

Features:

- See device status and control critical functions of all your Bose Professional Videobar devices from a single location

- Schedule firmware updates to all or only selected devices

- View, edit, save parameters by device or group of devices

- Discover all devices on the network; create, save, and apply device profiles

- Available for Windows

The Videobar Mobile app allows anyone in the room to control the Videobar VB1 with their smartphone — adjust volume, mute, pan, tilt, zoom, zoom presets, and *Bluetooth* pairing.

Features:

- Real-time control of volume, mute, pan, tilt, zoom, zoom presets, and *Bluetooth* pairing from your mobile device

- Uses *Bluetooth* pairing to discover and communicate with the Videobar VB1

- Available for iOS and Android

Videobar Configuration App and WebUI

To download and install the Videobar Configuration app on your computer:

1. On your computer, visit **boseprofessional.com/VB1**.
2. Download and install the **Videobar Configuration Software** app.

To access and use the Videobar Configuration app to configure the VB1:

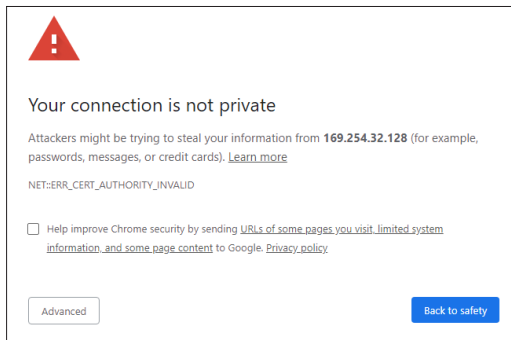
1. Connect your computer to the **USB-C** port on the VB1.
2. Open the **Videobar Configuration** app.
3. To access the Administrator configuration settings to configure the VB1, Click the **Administrator** icon in the navigation panel and enter the factory default password: **Bose123!**

Note: We recommend changing the password after gaining access.

To access and use the browser-based Videobar Configuration WebUI to configure the VB1 over a network connection:

1. Connect your computer and the VB1 to the same network.
2. Enter the IP address of the VB1 into the address bar of a web browser on your computer, and press **Enter**. (You can determine the IP address of the VB1 using the Videobar Configuration app over USB or using the Videobar Administration app which automatically discovers VB1s on the network.) The Videobar Configuration WebUI will open.

Note: On some browsers, you may see a security warning like this:



This is normal and not a security risk. Click **Advanced**. (If you are ever unsure about performing an operation on your computer, in a web browser, etc., check with your IT/system administrator first.)

You may then receive a follow-up message:

This server could not prove that it is **169.254.32.128**; its security certificate is not trusted by your computer's operating system. This may be caused by a misconfiguration or an attacker intercepting your connection.

[Proceed to 169.254.32.128 \(unsafe\)](#)

This is also normal. Click the **Proceed to...** link to proceed to the Videobar Configuration WebUI login page.

The factory default administrator password is: **Bose123!**

Note: We recommend changing the password after gaining access.

To access the help file for the Videobar Configuration app or WebUI, see the **Settings** page in the app or WebUI.

Videobar Administration App

To download the Videobar Administration software:

1. On your computer, visit **boseprofessional.com/VB1**.
2. Download and install the **Videobar Administration** app.

To access and use the Videobar Administration app to configure one or more VB1s over a network connection:

1. Connect your computer and each VB1 to the same network.
2. Open the **Videobar Administration** app.

To access the help file for the Videobar Administration app, see the **About Videobar Administration** page in the app.

Videobar Mobile App

The Videobar Mobile app provides the functions of the infrared remote control conveniently on your mobile device. To download the Videobar Mobile app:

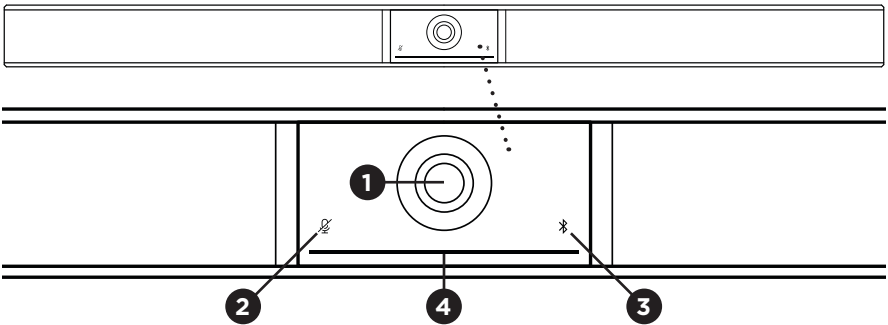
1. Search for and download the **Videobar Mobile** app from the App StoreSM or Google PlayTM.
2. Open the app on your mobile device and enable location tracking.
3. On your mobile device, connect to **Videobar VB1**.

To access the help file for the Videobar Mobile app, see **Settings** page in the app.

PRODUCT DETAILS

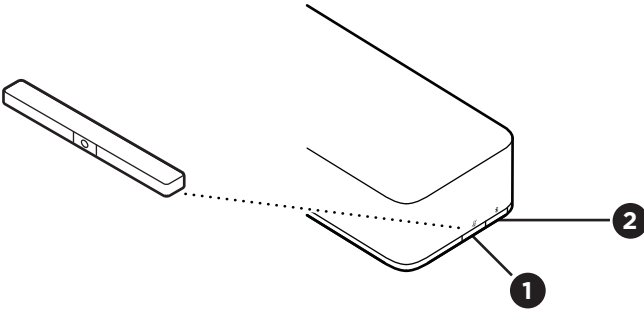
Panels

Front Panel



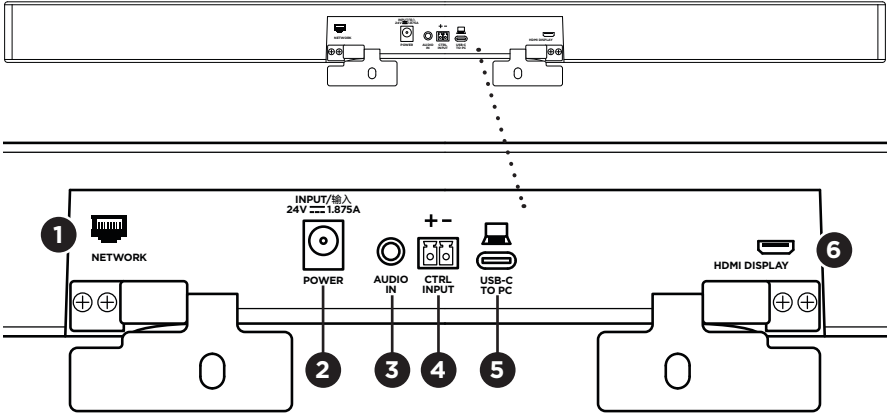
1. **Camera**
2. **Mute indicator:** This light illuminates red when the microphones are off.
3. **Bluetooth indicator:** This light indicates the current status of VB1 *Bluetooth* connectivity:
 - Slowly pulses blue:** The VB1 is available to pair to a *Bluetooth* mobile device.
 - Solid white:** The VB1 is connected to the Videobar Mobile app or to a mobile device for calls and media.
 - Off:** No *Bluetooth* connectivity.
4. **Light bar:** See **Light Bar (Page 31)** to learn more about this.

Side Panel



1. **Mute button:** Press this button to mute or unmute the VB1 microphones.
2. **Bluetooth button:** Press and hold this button to enter pairing mode.

Rear Panel



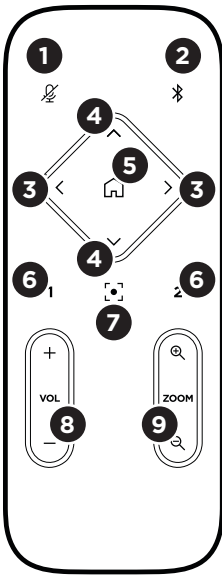
1. **Network:** Use this 1 Gbps RJ45 connection for configuration and/or monitoring. (This port is on the inner side of the rear panel.)
2. **Power:** Connect the included power supply.
3. **Audio In:** Use a 3.5 mm ($\frac{1}{8}$ in) stereo cable (not included) to connect to an optional audio source, such as the audio output from a connected monitor or display.
4. **Ctrl Input:** Use the port for mute override using the included 2-pin Euroblock connector. By default, this input is active low and includes an internal pull-up.
5. **USB-C:** Connect this port to the computer hosting the meeting.
6. **HDMI Display:** Use the included HDMI cable to connect this port to a display. (This port is on the inner side of the rear panel.)

Note: The host computer must have the latest DisplayLink® driver installed, and the VB1 must have its DisplayLink setting enabled (disabled by default) for the HDMI output to function. Visit displaylink.com/downloads to download the latest driver. Enable or disable the DisplayLink setting using the Videobar Configuration app or WebUI or Videobar Administration app (see **Software Applications (Page 23)**).

Remote Control

The Videobar VB1 includes an infrared remote control that enables you to adjust camera and volume settings, mute the microphones, and put the VB1 in *Bluetooth* pairing mode.

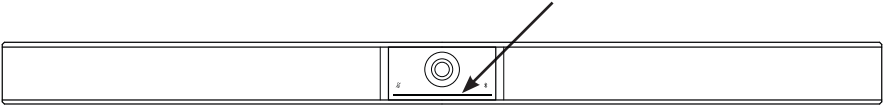
Note: All remote-control functions are also available in the software apps that enable you to configure the Videobar VB1. See **Software Applications (Page 23)** for more information.
















- 1. Mute:** Mute/unmute the VB1 microphones.
- 2. Bluetooth:** Press and hold for 3 seconds to enter pairing mode. If already paired to a device, press and hold to disconnect.
- 3. Camera Pan:** Press to pan the camera left and right (< or >), or press and hold for continuous adjustment.
- 4. Camera Tilt:** Press to tilt the camera up and down (▲ or ▼), or press and hold for continuous adjustment.
- 5. Home Preset:** Return Pan, Tilt, and Zoom (PTZ) camera settings to the Home position. The Home position can be changed in the Videobar Configuration app.
- 6. Presets 1 & 2:** Press to select Preset 1 or 2 for the camera. Press and hold to save the current Pan, Tilt, and Zoom (PTZ) camera settings as Preset 1 or 2.
- 7. Autoframe:** Turn autoframing on/off. When on, the pan, tilt, and zoom (PTZ) camera settings will adjust automatically to include all participants in the field of view at all times.
- 8. Volume:** Raise or lower volume (+ or -).
- 9. Camera Zoom:** Increase or decrease (+ or -) the zoom ratio of the camera.





Light Bar

The light bar is located under the camera of the VB1.



Appearance	Activity	System State
	A small section of lights in the center of the light bar is lit solid white.	Powered on and “awake.”
	All lights are lit solid white.	Meeting is active. Camera is off.
	The center light is lit solid green, while the surrounding lights are lit solid white.	Meeting is active. Camera is on with autoframing off.
	A small section of lights in the center of the light bar is lit solid green, while the surrounding lights are lit solid white.	Meeting is active. Camera is on with autoframing on.
	A small section of lights in the center of the light bar is lit solid green, while the surrounding lights are off.	Camera is on. No active meeting.
	The leftmost light on the light bar blinks once (white/on if there is no active call; off if there is an active call).	The volume has been lowered by one increment.

Appearance	Activity	System State
	The rightmost light on the light bar blinks once (white/on if there is no active call; off if there is an active call).	The volume has been raised by one increment.
	A small bar of lights on the leftmost end of the light bar blinks once (white/on if there is no active call; off if there is an active call).	The volume has been set to its lowest level.
	A small bar of lights on the rightmost end of the light bar blinks once (white/on if there is no active call; off if there is an active call).	The volume has been set to its highest level.
	A small section of lights in the center of the light bar is blinking white rapidly.	The VB1 is searching for a Wi-Fi network.
	A small section of lights in the center of the light bar pulses white once and then fades off.	The VB1 has connected to a Wi-Fi network. This also means the VB1 has detected a new audio source connected to the host USB port or Audio In.
	A small section of lights in the center of the light bar is solid red.	The VB1 is not functioning properly due to a firmware/software issue. Please contact Bose Professional technical support.
	A small section of lights in the center of the light bar are blinking amber.	The VB1 is not functioning properly due to a connection issue. Make sure the VB1 is connected to a network.

Appearance	Activity	System State
	<p>White lights move repeatedly between the right and left ends.</p>	<p>The VB1 is downloading and installing a firmware update. Do not disconnect the VB1 from its power outlet or network. When the update is complete, the light bar will stop moving, and the VB1 will play an audio tone.</p>
	<p>A small section of lights in the center of the light bar pulses white repeatedly. The lights then move outward from the center until the whole light bar is lit solid white. The lights turn off in the same pattern.</p>	<p>The VB1 is restarting after restoring its factory default settings.</p>
	<p>A small section of lights in the center of the light bar pulses white repeatedly.</p>	<p>The VB1 is restarting after a power outage.</p>
	<p>A small section of lights in the center of the light bar pulses purple repeatedly.</p>	<p>The Videobar Administration app is sending an “Identify Device” message to the VB1.</p>

OPERATION

Starting a Meeting

Note: The host computer must have the latest DisplayLink® driver installed, and the VB1 must have its DisplayLink setting enabled (disabled by default) for the HDMI output to function. Visit displaylink.com/downloads to download the latest driver. Enable or disable the DisplayLink setting using the Videobar Configuration app or WebUI or Videobar Administration app (see **Software Applications (Page 23)**).

To start a meeting using the VB1:

1. Connect the included USB cable between the VB1 and your computer. Use the included USB C-to-A adapter, if needed.
2. Start the meeting in your preferred meeting software.
3. In the device settings of your meeting software, select **Videobar VB1** as the device for the microphone, speakers, and camera.

To make a call using the VB1 as a speakerphone:

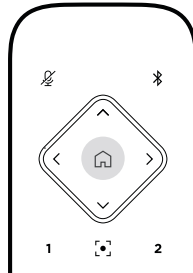
1. Press the **Bluetooth** button on the side of the VB1 (or press and hold the *Bluetooth* button on the remote control for 3 seconds) to put the VB1 into pairing mode.
2. On your mobile device, scan for available *Bluetooth* devices and select the VB1.
3. Make a call from your mobile device. The audio will be automatically routed from your mobile device to the VB1 speakers and microphones.

Adjusting the Camera

Note: All remote-control functions are also available in the software apps that enable you to configure the Videobar VB1. See **Software Applications (Page 23)** for more information.

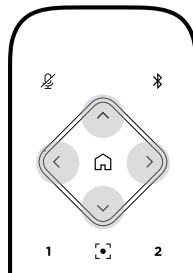
Tip: For quick and simple adjustments to the camera settings, we recommend using the Videobar Mobile app on your mobile device. See **Videobar Mobile App (Page 26)**.

Resetting the Camera



To return the camera to its default pan, tilt, and zoom settings, press the **Home** button on the remote control.

Adjusting the Pan and Tilt Angles



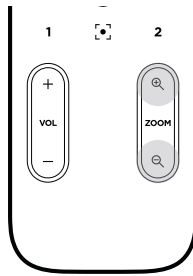
Note: You can adjust the pan and tilt angles only if the camera is not fully zoomed out.

To adjust the pan (left-right) angle of the camera, press one of the camera pan buttons (< or >) on the remote control.

To adjust the tilt (up-down) angle of the camera, press one of the camera tilt buttons (▲ or ▼) on the remote control.

Press a button once to adjust the camera in increments, or press and hold it for continuous adjustment.

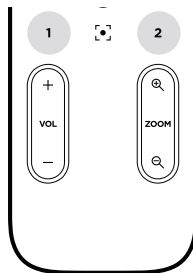
Adjusting the Zoom Ratio



To adjust the zoom ratio of the camera, press one of the **Zoom** buttons (+ or -) on the remote control.

Press a button once to adjust the camera in increments, or press and hold it for continuous adjustment.

Saving and Recalling a Preset



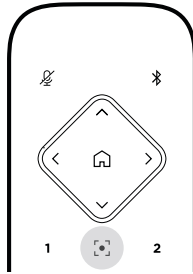
You can save the camera's pan, tilt, and zoom settings to a preset: Preset 1 or Preset 2. When you recall a saved preset, the camera will immediately return to the saved pan, tilt, and zoom settings.

To save a preset:

1. Adjust the pan, tilt, and zoom settings as desired.
2. Press and hold the desired preset button on the remote control (**Preset 1** or **Preset 2**) for 3 seconds. The camera settings will be saved to that preset.

To recall a saved preset, press the desired preset button on the remote control (**Preset 1** or **Preset 2**). The camera will immediately change the pan, tilt, and zoom settings to those saved to that preset.

Enabling/Disabling Autoframing



To enable or disable the camera's autoframing feature, press the **Autoframe** button on the remote control.

When enabled, the camera will automatically and continuously adjust the pan, tilt, and zoom settings to include all participants in the room in the field of view.

Note: Adjusting the pan, tilt, or zoom settings or selecting **Home**, **Preset 1**, or **Preset 2** will automatically disable autoframing.

When disabled, adjust the camera's pan-tilt-zoom (PTZ) settings manually.

Managing Audio Levels

The Videobar VB1 has four audio inputs: its microphones, USB audio, *Bluetooth* audio, and the analog input (**Audio In** jack).

The VB1 also has three audio outputs: its speakers, USB audio, and *Bluetooth* audio.

The real-time levels of all of these signals except for the **Audio In** jack can be seen in the **Meters** tab of the Videobar Configuration app/WebUI.

Local Audio Playback

Music or audio over the USB, *Bluetooth*, or analog inputs are played back through the VB1 speakers. This audio is not sent to the far end during meetings.

Meeting Audio

The VB1 microphone audio is sent to the far end (via the USB output) after the Acoustic Echo Cancellation (AEC) feature.

If local audio playback is sent over the USB input, it will play over the VB1 speakers, but the AEC feature will remove the music from the VB1 microphone audio pick-up before sending it to the far end.

If you wish to send local audio playback to the far end, share the audio playback app within your meeting software.

Adjusting Audio Levels

The VB1 has two volume controls: for the VB1 speakers and for the analog input (**Audio In**) gain.

To adjust the volume of the VB1 speakers, use the **Volume +** or **-** buttons on the remote control, adjust the volume of the host computer, or adjust the volume of the *Bluetooth* audio. These three volume levels are always synchronized, so adjusting one of them adjusts the others as well.

Note: All remote-control functions are also available in the software apps that enable you to configure the Videobar VB1. See **Software Applications (Page 23)** for more information.

If needed, adjust the **Analog Input Gain** to trim the signal sent into the **Audio In** jack so it matches the nominal levels from the host computer and *Bluetooth* audio. You can do this in the Videobar Configuration app or WebUI or in the Videobar Administration app (see **Software Applications (Page 23)**).

Manage *Bluetooth* Devices

The VB1 can be paired with one *Bluetooth* device at a time. For instance, it cannot be paired with one device using the Videobar Mobile app and another device for calls or audio playback.

Pairing a *Bluetooth* Device with VB1

The Videobar Mobile app pairs your *Bluetooth* device with the VB1 using *Bluetooth* Low Energy (BLE). The app will automatically “discover” VB1s nearby.

To pair a *Bluetooth* device with the VB1 using the Videobar Mobile app, open the app and select the desired VB1. The *Bluetooth* indicator on the front panel of the VB1 will light solid white when connected. (See **Videobar Mobile App (Page 26)** for more information.)

To pair a *Bluetooth* device for calls or audio playback:

1. Press the ***Bluetooth*** button on the side of the VB1 (or press and hold the *Bluetooth* button on the remote control for 3 seconds) to put the VB1 in its pairing mode. The *Bluetooth* indicator on the front panel of the VB1 will blink blue.
2. On your *Bluetooth* device, scan for other available *Bluetooth* devices and select the VB1. The *Bluetooth* indicator on the front panel of the VB1 will light solid white when connected.

Disconnecting a *Bluetooth* Device from the VB1

The VB1 will not automatically reconnect to a previously paired *Bluetooth* device. Once the *Bluetooth* connection is lost (due to distance, intentional disconnection, pairing of another device, etc.), you will need to follow the steps to pair again.

To disconnect a *Bluetooth* device from the VB1, do one of the following:

Disable the *Bluetooth* connection on your mobile device.

Press the ***Bluetooth*** button on the side of the VB1.

Press and hold the ***Bluetooth*** button on the remote control for 3 seconds.

Low-Power Modes

Some countries' energy regulations require products like the VB1 to enter a low-power mode when not in use to save energy. You can disable (or re-enable) this feature in the VB1 by using the Videobar Configuration app or WebUI or the Videobar Administration app (see **Software Applications (Page 23)**).

The low-power mode of the VB1 is actually two stages: a **standby** mode and a **low-power standby** mode.

If the low-power mode is enabled, the VB1 will enter the standby mode after 18 minutes of inactivity. After 2 more hours of inactivity, it will enter the low-power standby mode. In both modes, the light bar on the front of the VB1 will be off.

If the low-power mode is disabled, both of these modes are also disabled.

Certain actions or commands can prevent the VB1 from entering its standby mode, "wake" the VB1 from its standby mode (returning it to normal operation), or "wake" the VB1 from its low-power standby mode (returning it to normal operation).

Action or Command		Prevents the VB1 from entering its standby mode.	"Wakes" the VB1 from its standby mode.	"Wakes" the VB1 from its low-power standby mode.
Button press	Mute or Bluetooth button on the side of the VB1	✓	✓	✓
	Any button on the remote control	✓	✓	✓
USB	Connecting device to USB-C port		✓	✓
	Communication from Videobar Configuration app or WebUI	✓		
	Audio playback	✓	✓	
Bluetooth	Active connection	✓	✓	
	Audio playback	✓	✓	
Wi-Fi or Ethernet	Communication from Videobar Configuration app or WebUI	✓	✓	
	Communication from Videobar Administration app	✓	✓	
HDMI Display	Computer connected to HDMI Display port with DisplayLink enabled	✓	✓	
Audio In	Audio playback	✓	✓	

CARE AND MAINTENANCE

Clean the VB1

The VB1 may require periodic cleaning.

Wipe the outside surfaces with a soft, dry cloth.

Do NOT allow moisture to get inside the grille or any cable/wire connections.

Replacement Parts and Accessories

Replacement parts and accessories can be ordered through Bose Professional customer service. Visit [boseprofessional.com](https://www.boseprofessional.com).

Limited Warranty

This product is covered by a limited warranty. For warranty details, visit [boseprofessional.com/warranty](https://www.boseprofessional.com/warranty).

Serial Number Locations

The serial and model numbers are located on the rear panel of the product.

You can also view the serial number in the Videobar Configuration app or WebUI or in the Videobar Administration app (see **Software Applications (Page 23)**).

Restore the Factory Default Settings

Restoring the factory default settings will do the following:

Clear the list of *Bluetooth* devices paired to the VB1.

Clear the camera presets (Preset 1 and Preset 2).

Return all camera, microphone, and speaker settings to their default values. (Many of these settings are configured in the Videobar Configuration software or Videobar Administration software.)

Reset the administrator password to **Bose123!**

Note: We recommend changing the password after resetting it.

To restore all settings of the VB1 to their factory defaults, do one of the following:

On the remote control, press and hold the **Home** button and **Autoframe** button simultaneously for 5 seconds.

On the side of the VB1, press and hold the **Mute** button and **Bluetooth** button simultaneously for 5 seconds.

A small bar of lights in the center of the light bar will pulse white repeatedly. The lights will then move outward from the center until the whole light bar is lit solid white. The lights turn off in the same pattern. When this process is completed, the VB1 will restart with its factory default settings.

Forgotten Password

If you have forgotten the password to access the Administrator configuration settings, you must restore the factory default settings to reset the password (see **Restore the Factory Default Settings (Page 42)**).

Note: We recommend changing the password after resetting it.

Update the Software

You can use the Videobar Configuration app and Videobar Administration app to check for and install VB1 firmware updates. See **Software Applications (Page 23)** to learn how to download and access these software apps.

If you are using the **Videobar Configuration WebUI** to configure the VB1, you may not be able to automatically check or update the firmware from the online server unless your computer is also connected to Internet.

If you cannot access firmware updates while using the WebUI, do one of the following instead:

Use the **Videobar Configuration app**.

Use the **Videobar Administration app**.

Download the firmware file directly to your computer, and then use the **Videobar Configuration WebUI** to update the firmware as if it were a previous version.

TROUBLESHOOTING

Try these solutions first.

If you experience problems with the VB1, try these solutions first:

Make sure the VB1 is connected to power.

Make sure any cables connected to the rear panel are securely connected. See **Cable Connections (Page 20)**.

Check the status indicators. See **Front Panel (Page 27)**.

Make sure your mobile device supports *Bluetooth* connections.

Check for available VB1 software updates. See **Update the Software (Page 42)**.

Move your *Bluetooth* device closer to the VB1 and away from any interference or obstructions.

Adjust the volume on the VB1, computer, *Bluetooth* device, or any other audio sources. See **Managing Audio Levels (Page 38)**.

If you could not resolve your issue, see the table below to identify symptoms and solutions to common problems. If you are unable to resolve your issue, contact Bose Professional customer service. Visit **boseprofessional.com**.

Problem	What to Do
I hear music but my PC is not connected.	Check if the <i>Bluetooth</i> indicator is lit solid white. If so, someone's <i>Bluetooth</i> device may already be paired with the VB1. Press the Bluetooth button on the side of the VB1 to disconnect it.
The sound is too quiet or not audible at all.	The volume may be too low. Raise the volume using: <ul style="list-style-type: none"> the VB1 remote control your <i>Bluetooth</i> mobile device (if you are using one) your meeting software (speaker volume) If you still hear no sound, make sure Videobar VB1 is selected as the speaker in your meeting software.

Problem	What to Do
The sound is distorted.	<p>The volume may be too high. Lower the volume using:</p> <ul style="list-style-type: none"> the VB1 remote control your <i>Bluetooth</i> mobile device (if you are using one) your meeting software (speaker volume)
Adjusting the volume on my computer has no effect on the volume of the VB1.	<p>Your computer may not have the VB1 selected as the default audio playback device (even if your meeting software is working properly with the VB1).</p> <p>Windows: Click the speaker icon in the system tray (in the taskbar) and select Videobar VB1 as the playback device.</p> <p>macOS: Click the Apple icon in the upper-left corner of the screen, and select System Preferences, click Sound, and then click Output. Select Videobar VB1 in the list of devices.</p>
The volume level of my computer or mobile device changed suddenly when I connected my computer or mobile device to the VB1.	<p>This is normal. The VB1 automatically synchronizes the volume level of all devices when they connect to it.</p>
Videobar VB1 is not listed as a microphone, speaker, or camera in my meeting software.	<p>Wait approximately 30 seconds for your computer to register the VB1 as a microphone, speaker, and camera device.</p> <p>If this still does not work, try the following solutions:</p> <ul style="list-style-type: none"> Make sure the USB cable is connected securely to your computer. Try connecting to a different USB port on your computer. Make sure the VB1 is powered on (connected securely to its power outlet). Make sure the USB cable is connected securely to the USB-C port on the rear panel of the VB1. Try using a shorter USB cable.


Problem	What to Do
My meeting software is displaying a message that the video is not working or cannot start.	This is usually caused when the Videobar Configuration app or another unified communications client is already using and controlling the camera. Close the other app that is using the video.
When I try to connect to the VB1 using the Videobar Configuration WebUI, my browser displays a security warning.	This is normal as the VB1 does not provide a security certificate based on a dynamically allocated IP address. See Videobar Configuration App and WebUI (Page 24) for specific instructions. (If you are ever unsure about performing an operation on your computer, in a web browser, etc., check with your IT/system administrator first.)
There is no video image on the second display (from the HDMI Display port).	<p>Try the following solutions:</p> <ul style="list-style-type: none"> Make sure the display is powered on. Make sure the display has its input/source set to the HDMI port that is connected to the VB1. Make sure the HDMI cable is securely connected to the VB1 and to the display. Make sure your computer has the latest DisplayLink driver installed (displaylink.com/downloads). Make sure your computer is set to “extend” to a second display (rather than to “mirror” or “duplicate” it). Ensure the DisplayLink setting is enabled in the Videobar Configuration software.
My computer detects the VB1 as a second display even when it is not connected to the HDMI Display port.	Make sure your computer is set to “mirror” or “duplicate” its display (rather than to “extend” it to a second display).
The video image on the second display (from the HDMI Display port) is out of sync with the audio signal.	Lower the resolution of the video display in the display settings on your computer.
The video image on the second display (from the HDMI Display port) is distorted.	Make sure you are using a Bose Professional-supplied cable or a certified USB cable. Also make sure the cable is not damaged or kinked.

Problem	What to Do
<p>The camera zooms in or out even when I am not manually adjusting it.</p>	<p>The camera's autoframing feature may be enabled. Press the Autoframe button on the remote control to disable it.</p> <p>Some meeting software apps have built-in autoframing, which may be cropping the image or changing the camera zoom ratio. If possible, disable this feature in your meeting software.</p>
<p>The <i>Bluetooth</i> indicator is blinking blue.</p>	<p>This is normal. This indicates the VB1 is in <i>Bluetooth</i> pairing mode (The <i>Bluetooth</i> button on the side of the VB1 or on the remote control may have been accidentally pressed.)</p>
<p>The <i>Bluetooth</i> indicator is lit solid white.</p>	<p>This is normal. This indicates the VB1 is connected to a <i>Bluetooth</i> mobile device for music or calls or to the Videobar Mobile app.</p>
<p>The light bar is on.</p>	<p>If the whole light bar is lit, then there is an active meeting.</p> <p>If only a small section of lights is on, then there is no active meeting. The VB1 is simply powered on. See Light Bar (Page 31) for more information.</p>
<p>A small section of lights in the center of the light bar is lit solid green.</p>	<p>This is normal. This indicates the VB1 camera is on. (If the other lights in the light bar are solid white, then there is an active meeting. If the other lights in the light bar are off, then there is no active meeting.)</p>

Lea y conserve todas las instrucciones de uso, protección y seguridad.

Instrucciones importantes de seguridad

Para obtener más información sobre la Bose Professional Videobar VB1 (incluidos accesorios y repuestos), visite boseprofessional.com/VB1 o comuníquese con el servicio al cliente de Bose Professional.

1. Lea estas instrucciones.
2. Guarde estas instrucciones.
3. Preste atención a las advertencias.
4. Siga todas las instrucciones.
5. No use este aparato cerca del agua.
6. Límpielo solamente con un paño seco.
7. No obstruya ninguna abertura de ventilación. Realice la instalación conforme a las instrucciones del fabricante.
8. No lo instale cerca de una fuente de calor, como radiadores, rejillas de calefacción, estufas u otros aparatos (incluidos los amplificadores) que produzcan calor.
9. Proteja el cable de alimentación para que nadie lo pise o lo perforo, especialmente en enchufes, receptáculos de tomas múltiples y en el punto donde sale del dispositivo.
10. Utilice solamente los accesorios especificados por el fabricante.
11.  Use solamente con el carro, el soporte de piso, el trípode, el soporte o la mesa especificados por el fabricante o vendidos con el dispositivo. Cuando se usa un carro, tenga precaución al moverlo con el dispositivo para evitar lesiones por tropiezos.
12. Desenchufe este aparato durante tormentas eléctricas o cuando no lo utilice durante períodos prolongados.
13. Derive todas las tareas de mantenimiento a personal calificado. Se requieren tareas de mantenimiento si el aparato se daña de alguna manera; por ejemplo, si se daña el enchufe o el cable de alimentación, si se derrama líquido o si caen objetos dentro del aparato, si se expone el aparato a la lluvia o la humedad, si no funciona normalmente o si se ha caído.

ADVERTENCIAS/PRECAUCIONES



Este símbolo en el producto indica que hay voltaje peligroso y sin aislamiento dentro de la carcasa del producto, lo cual podría presentar un riesgo de descarga eléctrica.



Este símbolo en el producto indica que en esta guía se incluyen instrucciones de mantenimiento y funcionamiento importantes.



Contiene piezas pequeñas que pueden provocar asfixia. No se recomienda para niños menores de 3 años.



Este producto contiene materiales magnéticos. Consulte con su médico si esto podría llegar a afectar un dispositivo médico implantado.



Use solo a una altitud inferior a 2000 metros.

Todos los productos Bose Professional deben instalarse conforme a las leyes locales, estatales, federales y del sector. Es responsabilidad del instalador garantizar que la instalación del sistema de soporte y los altavoces se realice conforme a los códigos aplicables, incluidos los códigos y las reglamentaciones de construcción locales. Consulte a la autoridad local competente antes de instalar este producto.

Cuando coloque el producto, asegúrese de que no esté bloqueando ninguna abertura de ventilación de la pantalla. Consulte la guía del propietario de la pantalla e instálela de acuerdo con las instrucciones del fabricante.

NO realice alteraciones no autorizadas en este producto.

Cuando se necesiten baterías de repuesto, utilice únicamente baterías alcalinas AAA/LR03.

La batería suministrada con este producto puede presentar un riesgo de incendio, explosión o quemadura química si no se manipula correctamente, se reemplaza incorrectamente o se reemplaza con un tipo incorrecto de batería. No las recargue, desmonte, caliente ni incinere.

Mantenga las baterías alejadas de los niños.

Si una batería tiene fugas, no permita que el líquido entre en contacto con la piel o los ojos. En caso de contacto, acuda a un médico.

No exponga productos con batería al calor excesivo, por ejemplo, almacenar a la luz directa del sol, cerca de fuego o similar.

Utilice únicamente los componentes físicos incluidos para montar el producto.

Solo para montaje en pared en las siguientes superficies: Panel de yeso ≥ 10 mm (3/8")

Si se monta en superficies distintas a las indicadas anteriormente, comuníquese con un instalador profesional.

Los cables de interconexión que se incluyen con este sistema no están aprobados para instalaciones en pared. Compruebe los códigos locales de edificación para verificar cuáles son los tipos correctos de alambre y cable requeridos para instalaciones en pared.

Monte únicamente en superficies que sean resistentes y que no presenten peligros ocultos, como cableado eléctrico o cañerías.

NO lo use en vehículos o embarcaciones.

Debido a los requisitos de ventilación, Bose Professional no recomienda colocar el producto en espacios reducidos, como una cavidad de pared o un gabinete cerrado.

No instale ni coloque el soporte ni el producto cerca de fuentes de calor, como chimeneas, radiadores, rejillas de calefacción u otros aparatos (incluidos amplificadores) que produzcan calor.

Mantenga el producto lejos del fuego y de fuentes de calor. NO coloque encima ni cerca del producto fuentes de llamas expuestas, como velas encendidas.

Para reducir el riesgo de incendio o descarga eléctrica, NO exponga el producto a la lluvia, líquidos o humedad.

NO exponga el producto a goteos o salpicaduras, y no coloque encima ni cerca del producto objetos llenos de líquido; por ejemplo, floreros.

Este producto no está diseñado para ser instalado ni utilizado en zonas de instalaciones acuáticas en interiores (incluidos, entre otros, piscinas techadas, parques acuáticos techados, jacuzzis, saunas, salas de vapor y pistas de patinaje techadas).

No monte el producto en lugares donde se pueda generar condensación.

NO use un convertidor de corriente con este producto.

Use este producto únicamente con la fuente de alimentación suministrada.

Si se utiliza la clavija de conexión de red eléctrica o un acoplador del artefacto como el dispositivo de desconexión, el dispositivo de desconexión deberá permanecer listo para funcionar.

Información normativa

Dimensiones (Al. x An. x Pr.): 48 x 659 x 102 mm (1.9" x 27.0" x 4.0")

Peso neto: 2.5 kg (5.6 lb)

Potencia de entrada: 24 V CC ---, 1.875 A

Este equipo debe instalarse y operarse a una distancia mínima de 20 cm entre el radiador y el cuerpo de quien lo instala u opera.

Se requieren cables aislados para mantener el cumplimiento de las normativas

CAN ICES-3 (B)/NMB-3(B)

Información acerca de productos que generan ruido eléctrico (aviso de cumplimiento de la FCC para EE. UU.)

NOTA: Este equipo ha sido sometido a pruebas y se ha comprobado que cumple con los límites de un dispositivo digital Clase B en virtud de lo estipulado en la Parte 15 de las reglas de la FCC. Estos límites están diseñados para ofrecer una protección razonable contra la interferencia perjudicial en una instalación residencial. Este equipo genera, usa y puede irradiar energía de radiofrecuencia y, si no se instala y se usa conforme a lo indicado en las instrucciones, podría causar una interferencia perjudicial a las comunicaciones de radio. Sin embargo, no hay garantía de que no se produzcan interferencias en una instalación particular. Si este equipo causa interferencias perjudiciales a la recepción de radio o televisión, que se puede determinar apagando y prendiendo el equipo, se aconseja al usuario intentar corregir la interferencia tomando una o más de las siguientes medidas:

- Reorientar o reubicar la antena receptora.
- Aumentar la separación entre el equipo y el receptor.
- Conectar el equipo a un enchufe en un circuito diferente al que está conectado el receptor.
- Consulte al distribuidor o a un técnico experimentado en radio o televisión para obtener ayuda.

Los cambios o las modificaciones no aprobados expresamente por Bose Professional podrían invalidar la autoridad del usuario para operar el equipo.

Este dispositivo cumple con la parte 15 de las reglas de la FCC y con las normas RSS sin licencia de ISED Canadá.

El funcionamiento está sujeto a las siguientes 2 condiciones: (1) este dispositivo no debe provocar interferencias dañinas y (2) este dispositivo debe aceptar cualquier interferencia recibida, incluida la interferencia que puede causar un funcionamiento no deseado.

Normas de gestión para dispositivos de radiofrecuencia de baja potencia

Artículo XII: Según las "Normas de gestión para dispositivos de radiofrecuencia de baja potencia", sin el permiso concedido por la NCC, cualquier empresa, compañía o usuario no puede cambiar la frecuencia, mejorar la potencia de transmisión ni alterar las características originales así como el desempeño de los dispositivos de radiofrecuencia de baja potencia.

Artículo XIV: Los dispositivos de radiofrecuencia de baja potencia no deberán afectar la seguridad del avión ni interferir en las comunicaciones legales; si se determinara una interferencia, el usuario deberá dejar de operarlo de inmediato hasta que no se perciba interferencia. Dichas comunicaciones legales significan comunicaciones de radio conforme con la Ley de Telecomunicaciones.

Los dispositivos de radiofrecuencia de baja potencia deben ser susceptibles a la interferencia de las comunicaciones legales o de los dispositivos de ondas de radio ISM.

CE Por la presente, Bose Professional declara que este producto cumple con los requisitos esenciales y otras provisiones relevantes de la Directiva 2014/53/EU y todos los demás requisitos aplicables de la directiva de la UE. La declaración de conformidad completa se puede encontrar en www.Bose.com/compliance.

UK CA Este producto cumple con todas las regulaciones aplicables de compatibilidad electromagnética de 2016 y todas las demás regulaciones aplicables del Reino Unido. La declaración de conformidad completa se puede encontrar en www.Bose.com/compliance.

Por la presente, Bose Professional declara que este producto cumple con los requisitos esenciales de las Regulaciones de equipos de radio de 2017 y todas las demás regulaciones aplicables del Reino Unido. La declaración de conformidad completa se puede encontrar en www.Bose.com/compliance.

Este dispositivo que funciona en la banda de 5150 a 5250 MHz está destinado únicamente a su uso en áreas interiores para reducir la posibilidad de interferencias perjudiciales con los sistemas de satélite móvil que comparten el mismo canal.

Para Europa:

Banda de frecuencia de funcionamiento 2400 a 2483.5 MHz:


Bluetooth®/Wi-Fi: potencia máxima de transmisión inferior a 20 dBm EIRP.

Bluetooth de baja energía: densidad espectral de potencia máxima inferior a 10 dBm/MHz EIRP.

Bandas de frecuencia de funcionamiento de 5150 a 5350 MHz y de 5470 a 5725 MHz:

Wi-Fi: potencia máxima de transmisión inferior a 20 dBm EIRP.

Este dispositivo está restringido al uso en áreas interiores cuando funciona en el rango de frecuencia de 5150 a 5350 MHz en todos los estados miembro de la UE que se enumeran en la tabla.

	BE	DK	IE	UK (NI)	FR	CY	SK	HU	AT	SE	BG	DE	PT	EL
	HR	LV	LT	MT	PL	CZ	EE	FI	ES	IT	RO	LU	NL	SI



Este símbolo significa que el producto no debe desecharse como residuo doméstico y debe enviarse a una planta para tratamiento de residuos apropiada para su reciclado. Una eliminación y un reciclado adecuados ayudan a proteger los recursos naturales, la salud humana y el medioambiente. Para obtener más información acerca de la eliminación y el reciclado de este producto, comuníquese con su municipalidad local, un centro de servicios de desecho o la tienda donde compró este producto.



Deseche las baterías usadas de manera adecuada y cumpla con las reglamentaciones locales. No las incinere.



Tabla de sustancias peligrosas restringidas en China

Nombres y contenido de elementos o sustancias tóxicas o peligrosas						
Elementos o sustancias tóxicas o peligrosas						
Nombre de la pieza	Plomo (Pb)	Mercurio (Hg)	Cadmio (Cd)	Cromo hexavalente (CR(VI))	Bifenilo polibromado (PBB)	Difenil éter polibromado (PBDE)
PCB	X	0	0	0	0	0
Piezas metálicas	X	0	0	0	0	0
Piezas plásticas	0	0	0	0	0	0
Altavoces	X	0	0	0	0	0
Cables	X	0	0	0	0	0

Esta tabla se preparó conforme a las cláusulas de SJ/T 11364.

O: indica que dicha sustancia peligrosa contenida en todos los materiales homogéneos de esta pieza se encuentra por debajo del requisito límite de GB/T 26572.

X: indica que esta sustancia tóxica o peligrosa que está presente en al menos uno de los materiales homogéneos utilizados para esta parte se encuentra por encima del requisito de límite de GB/T 26572.



Tabla de sustancias peligrosas restringidas en Taiwán

Nombre del equipo: Bose Videobar VB1 Designación de tipo: 433869						
Sustancias restringidas y símbolos químicos						
Unidad	Plomo (Pb)	Mercurio (Hg)	Cadmio (Cd)	Cromo hexavalente (Cr+6)	Bifenilos polibromados (PBB)	Éteres difenil polibromados (PBDE)
PCB	—	○	○	○	○	○
Piezas metálicas	—	○	○	○	○	○
Piezas plásticas	○	○	○	○	○	○
Altavoces	—	○	○	○	○	○
Cables	—	○	○	○	○	○

Nota 1: "○" indica que el contenido porcentual de la sustancia restringida no excede el porcentaje de valor de referencia de presencia.

Nota 2: El "—" indica que la sustancia restringida corresponde a la exención.

Fecha de fabricación: El octavo dígito del número de serie indica el año de fabricación; "3" es 2013 o 2023.

Importador para China: Bose Electronics (Shanghai) Company Limited, Level 6, Tower D, No. 2337 Gudai Rd. Minhang District, Shanghai 201100, China

Importador de la UE: Bose Products B.V., Gorslaan 60, 1441 RG Purmerend, Países Bajos

Importador para México: Bose de México, S. de R.L. de C.V., Paseo de las Palmas 405-204, Lomas de Chapultepec, 11000 México, D.F. Número telefónico: +5255 (5202) 3545

Importador para Taiwán: Bose Taiwan Branch, 9F-A1, N° 10, Section 3, Minsheng East Road, Taipei City 104, Taiwán. Número telefónico: +886-2-2514 7676

Importador en el Reino Unido: Bose Limited, Bose House, Quayside Chatham Maritime, Chatham, Kent, ME4 4QZ, Reino Unido
Bose Corporation, Framingham, MA 01701, U.S.A. 1-877-230-5639

Tabla de estado de corriente del producto

El producto, de acuerdo con la directiva europea de Diseño ecológico de productos relacionados con la energía 2009/125/EC, cumple con las siguientes normas o documentos: Regulación (EC) No. 1275/2008, modificada por la Regulación (EU) No. 801/2013.

Información de estado de corriente requerida	Modos de potencia	
	Modo de espera	Modo de espera de red
Consumo de energía en el modo de potencia especificado, a una entrada de 230 V/50 Hz.	≤ 0.5 W	Wi-Fi, Ethernet, <i>Bluetooth</i> ≤ 2.0 W
Tiempo después del cual el equipo se cambia automáticamente de modo.	≤ 2.5 horas	≤ 20 minutos
El consumo de energía está en modo de espera de red si todos los puertos de la red con cable están conectados y todos los puertos de red inalámbricos están activados, a una entrada de 230 V/50 Hz.	≤ 2.0 W	≤ 2.0 W
Procedimientos de desactivación/activación del puerto de red. La desactivación de todas las redes activará el modo de espera.	<p>Wi-Fi: Para desactivar, restaure los ajustes de fábrica: Mantenga presionados simultáneamente los botones Inicio y Encuadre automático en el control remoto durante 5 segundos o mantenga presionados simultáneamente los botones de Silenciar y <i>Bluetooth</i> ubicados en el costado de la unidad durante 5 segundos. Se activa a través de la aplicación Videobar Mobile.</p> <p>Ethernet: Para desactivar, quite el cable Ethernet. Para activar, inserte el cable Ethernet.</p> <p><i>Bluetooth</i>: Para desactivar, restaure los ajustes de fábrica: Mantenga presionados simultáneamente los botones Inicio y Encuadre automático en el control remoto durante 5 segundos o mantenga presionados simultáneamente los botones de Silenciar y <i>Bluetooth</i> ubicados en el costado de la unidad durante 5 segundos. Active emparejando con una fuente <i>Bluetooth</i>.</p>	

Información técnica de la fuente de alimentación externa

La fuente de alimentación externa suministrada con el producto, de acuerdo con la directiva europea de Diseño ecológico de productos relacionados con la energía 2009/125/EC, cumple con las siguientes normas o documentos: Regulación de la comisión (UE) 2019/1782.

Fabricante	Bose Products B.V.
Número de registro comercial	36037901
Dirección	Gorslaan 60 1441 RG Purmerend Países Bajos
Identificador de modelo	DT24V-1.8C-DC
Voltaje de entrada	100 V - 240 V
Frecuencia de CA de entrada	50 Hz/60 Hz
Voltaje de salida	24 V CC
Corriente de salida	1.9 A
Potencia de salida	45 W
Eficiencia activa promedio	89.9 %
Eficiencia con carga baja (10 %)	87.0 %
Consumo de energía sin carga	0.07 W

Licencias e información legal

Bose es una marca comercial de Bose Corporation.

Videobar es una marca comercial de Transom Post OpCo LLC.



DisplayLink® es la marca comercial registrada de DisplayLink Corp. en la UE, los EE.UU. y en otros países.



Los términos HDMI y HDMI High-Definition Multimedia Interface y el logotipo de HDMI son marcas comerciales o marcas comerciales registradas de HDMI Licensing Administrator, Inc.

Android y Google Play son marcas registradas de Google LLC.

La marca y los logotipos de *Bluetooth*® son marcas comerciales registradas propiedad de Bluetooth SIG Inc. y cualquier uso de dichas marcas por parte de Bose Professional se encuentra bajo licencia.

macOS es una marca comercial de Apple Inc.

USB Type-C® y USB-C® son marcas comerciales registradas de USB Implementers Forum y solo se deben usar con productos basados en las especificaciones del conector y el cable USB Type-C®, y que cumplan con estas.

Wi-Fi es una marca comercial registrada de Wi-Fi Alliance®.

Todas las demás marcas comerciales son propiedad de sus respectivos dueños.

Para ver las divulgaciones de licencia que se aplican a los paquetes de software de terceros incluidos como componentes de la Videobar VBI:

Videobar VBI: Descargue y abra la aplicación móvil **Videobar Mobile**, toque el icono **Configuración** y, a continuación, toque **Acuerdo de licencia de usuario final**.

Aplicación móvil Videobar Mobile: Toque el icono **Configuración** y, a continuación, toque **Acuerdo de licencia de usuario final**.

Aplicación Videobar Configuration o su interfaz de usuario web: Haga clic en el icono **Settings** y, a continuación, haga clic en **End User License Agreement**.

Aplicación Videobar Administration: Haga clic en el menú (☰), seleccione **Acerca de Videobar Administration** y, luego, haga clic en **Acuerdo de licencia de usuario final**.

La política de privacidad de Bose Professional está disponible en [boseprofessional.com](https://www.boseprofessional.com).

©2023 Transom Post OpCo LLC. Ninguna parte de este trabajo podrá reproducirse, modificarse, distribuirse ni usarse sin un permiso previo por escrito.

Complete y conserve esto en sus archivos.

Los números de serie y de modelo se encuentran en el panel posterior del producto.

Número de serie: _____

Número de modelo: _____

Información de la garantía

Este producto está cubierto con una garantía limitada.

Para obtener información sobre la garantía, visite [boseprofessional.com/warranty](https://www.boseprofessional.com/warranty).

EN LA CAJA

Contenido.....	10
----------------	----

CONFIGURACIÓN

Pautas generales de montaje.....	12
Montaje de la VB1 en una mesa, un estante o un aparador.....	13
Montaje en pared de la VB1	14
Cubierta de privacidad para cámara.....	19
Conexiones de los cables	20
Administración de cables	21

APLICACIONES DE SOFTWARE

Aplicación Videobar Configuration y su interfaz de usuario web.....	24
Aplicación Videobar Administration.....	26
Aplicación Videobar Mobile	26

INFORMACIÓN DEL PRODUCTO

Paneles.....	27
Panel frontal.....	27
Panel lateral.....	28
Panel posterior.....	29
Control remoto.....	30
Barra de luces.....	31

FUNCIONAMIENTO

Iniciar una reunión	34
Ajustar la cámara	35
Restablecer la cámara	35
Ajustar los ángulos de paneo e inclinación.....	35
Ajustar la relación de zoom	36
Guardar y recuperar un preajuste.....	36
Activar/desactivar el encuadre automático	37
Administrar niveles de audio.....	38
Reproducción de audio local.....	38
Audio de reuniones.....	38
Ajustar los niveles de audio	38
Administrar dispositivos Bluetooth.....	39
Emparejar un dispositivo Bluetooth con la VB1.....	39
Desconectar un dispositivo Bluetooth de la VB1.....	39
Modos de baja potencia.....	40

CUIDADO Y MANTENIMIENTO

Limpiar la VB1	41
Repuestos y accesorios.....	41
Garantía limitada	41
Ubicación del número de serie	41
Restaurar la configuración de fábrica	42
Contraseña olvidada.....	42
Actualizar el software	42

SOLUCIÓN DE PROBLEMAS

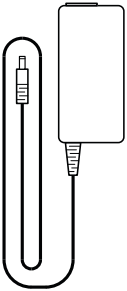
Intente primero con estas soluciones	43
--	----

QUÉ HAY EN LA CAJA

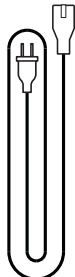
Contenido



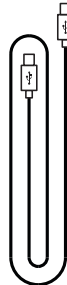
Videobar VB1



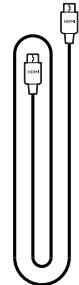
Fuente de alimentación



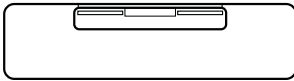
Cable de alimentación



Cable USB Type-C®

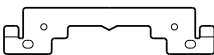


Cable HDMI



Soporte de mesa

A  Tornillo del soporte de mesa (2)



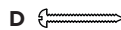
Soporte para pared



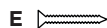
B Anclaje grande para paneles de yeso (4)



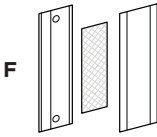
C Tachuela de anclaje para paneles de yeso



D Tornillo de cabeza redonda (2)



E Tornillo de cabeza plana (2)



F

G Anclaje pequeño para paneles de yeso (2)

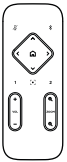
H Tornillo pequeño de cabeza plana (2)



I

J Anclaje pequeño para paneles de yeso

K Tornillo pequeño de cabeza plana



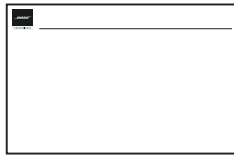
Control remoto



Guía de inicio rápido



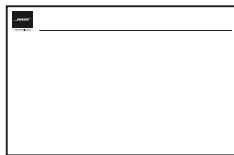
Baterías AAA/LR03 (2)



Guía de instalación del soporte para mesa



Cubierta de privacidad para cámara



Guía de instalación de soporte para pared



Adaptador de USB-C a USB-A



Conector Euroblock de 2 pines



Guía de instrucciones de seguridad

CONFIGURACIÓN

Pautas generales de montaje

NO apoye la VB1 sobre la cara anterior, posterior o superior cuando se está usando.

NO coloque ningún objeto sobre la VB1.

Evite colocar la VB1 cerca de rejillas de ventilación de aire acondicionado, calefactores o radiadores, ventiladores, u otras fuentes de ruido o vibraciones.

Para evitar interferencia inalámbrica, mantenga otros equipos inalámbricos a una distancia de **0.3 a 0.9 m (de 1 a 3 pies)** de la VB1. Coloque la VB1 alejada de gabinetes metálicos, de otros componentes de audio/video y de fuentes de calor directo.

Asegúrese de que haya una salida de CA (red eléctrica) cerca.

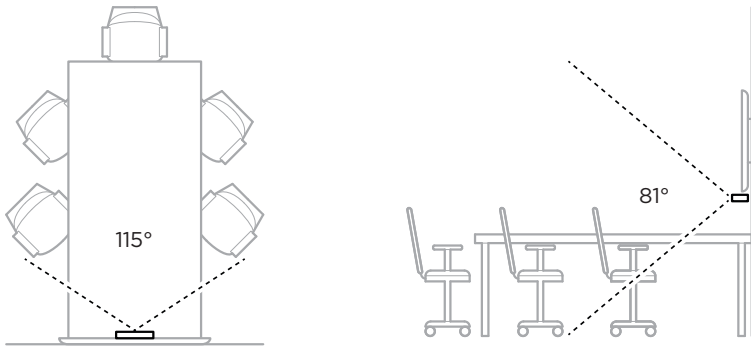
Coloque la VB1 directamente debajo (preferido) o arriba de la TV con la rejilla mirando hacia la habitación.

Para una mejor calidad de sonido, NO coloque la VB1 dentro de un gabinete ni en diagonal en una esquina.

Asegúrese de que el área de asientos de todos los participantes de la reunión se encuentre dentro del campo de visión (FOV) de la cámara. Todos los participantes de la reunión deben estar dentro del FOV para que la función de encuadre automático funcione correctamente (consulte **Activar/desactivar el encuadre automático (Página 37)**).

El FOV de la cámara de la VB1 es de 115° horizontal y 81° vertical.

Asegúrese de que la sala de reuniones esté bien iluminada durante una reunión.

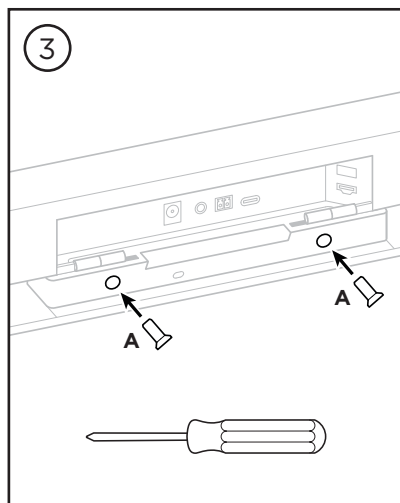
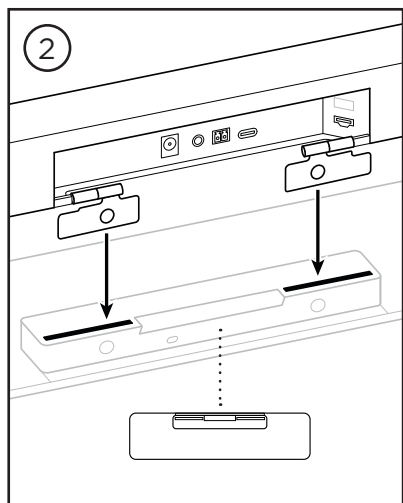
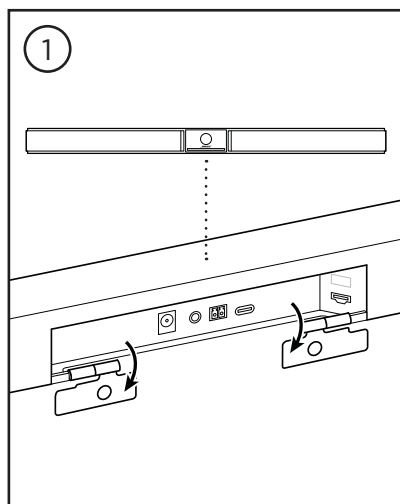
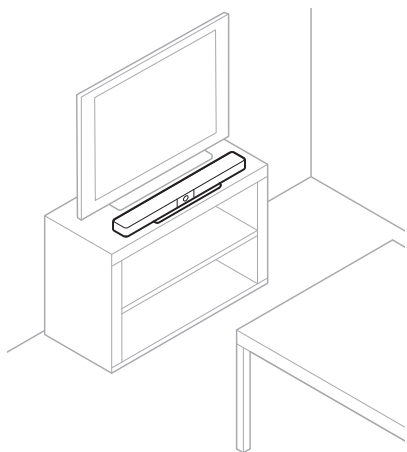


Montaje de la VB1 en una mesa, un estante o un aparador

Para obtener el mejor rendimiento, cuando instale la VB1 en una mesa, un estante, un aparador, etc., siga estas recomendaciones:

Coloque la VB1 en el soporte de mesa sobre una superficie estable y nivelada.

Coloque la parte frontal de la VB1 de modo que la superficie de apoyo no sea visible en la imagen de la cámara. Asegúrese de que la sala de reuniones esté bien iluminada durante una reunión.



Montaje en pared de la VB1

Para obtener el mejor rendimiento, siga estas recomendaciones cuando instale la VB1 en una pared:

Cuando determine dónde fijar el soporte para pared, asegúrese de que haya suficiente espacio alrededor del soporte para colocar la VB1:

Debe haber al menos **3.8 cm (1.5")** de espacio arriba del soporte para pared. Esto le permitirá "colgar" la VB1 sobre el soporte (Paso 7) y ajustar el ángulo de la VB1. También habrá espacio suficiente para acceder a las conexiones del panel posterior en la VB1.

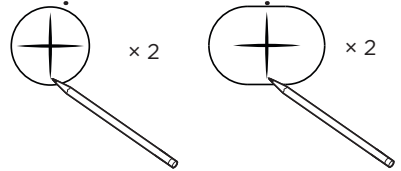
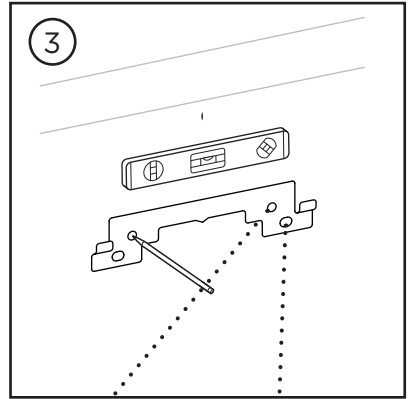
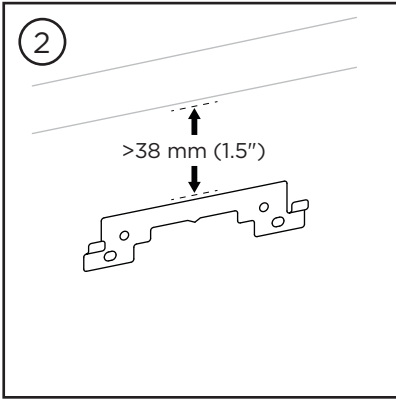
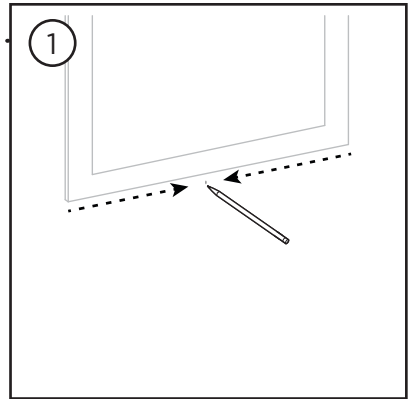
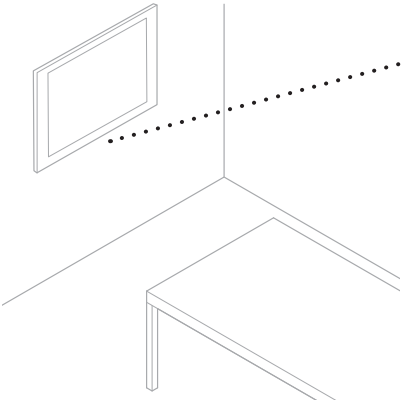
Debe haber al menos **11.4 cm (4.5")** de espacio debajo del soporte para pared. Esto le permitirá colgar la VB1 de forma vertical durante la instalación para insertar cables y ajustar el ángulo de la VB1.

El espacio debe ser de al menos **73.7 cm (29.0")** de ancho, de modo que el soporte para pared se ubique en el centro. Esto es necesario para acomodar la VB1 con espacio para acceder al puerto acústico y los botones ubicados a los costados de la VB1 (debe haber **2.5 cm (1.0")** en cada lado).

Utilice únicamente los componentes físicos incluidos para montar el producto.

Nota: Se necesitan algunas herramientas adicionales.

Nota: Lea las Instrucciones importantes de seguridad incluidas antes de continuar.



4

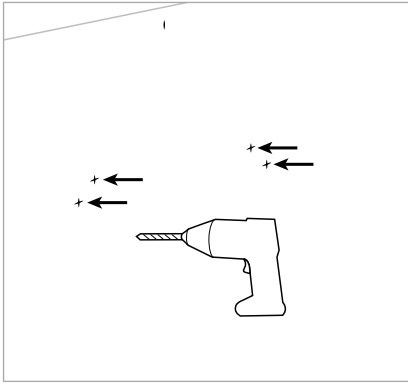
ADVERTENCIAS:



Monte únicamente en superficies que sean resistentes y que no presenten peligros ocultos, como cableado eléctrico o cañerías.

Si no está seguro, comuníquese con un instalador profesional.

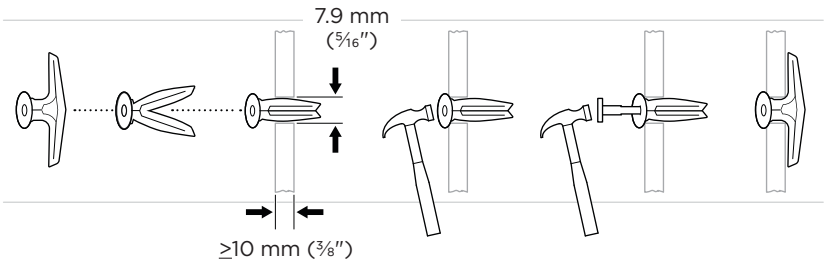
Las herramientas incluidas no son adecuadas para superficies de mampostería.



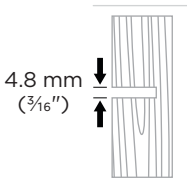
Panel de yeso
7.9 mm ($\frac{5}{16}$ ")

**Montante de madera/
montante de metal**
4.8 mm ($\frac{3}{16}$ ")

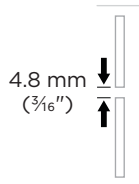
Panel de yeso

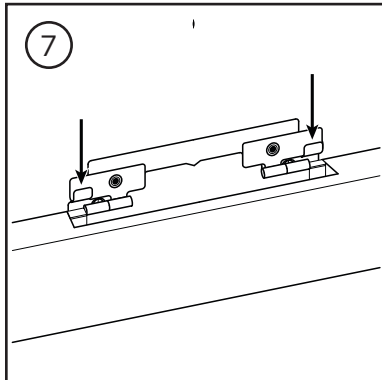
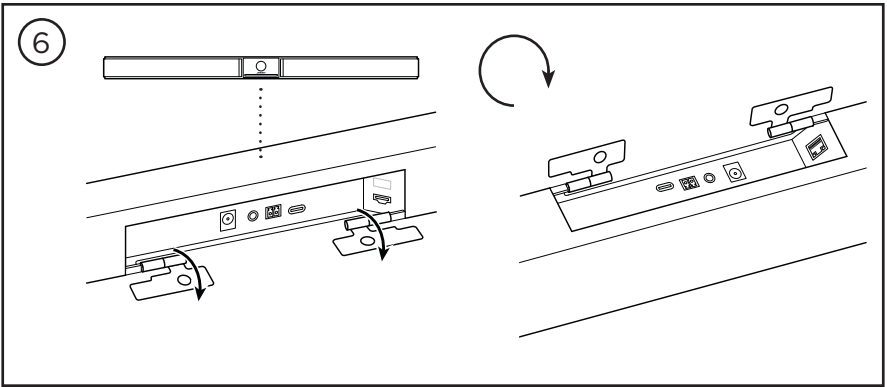
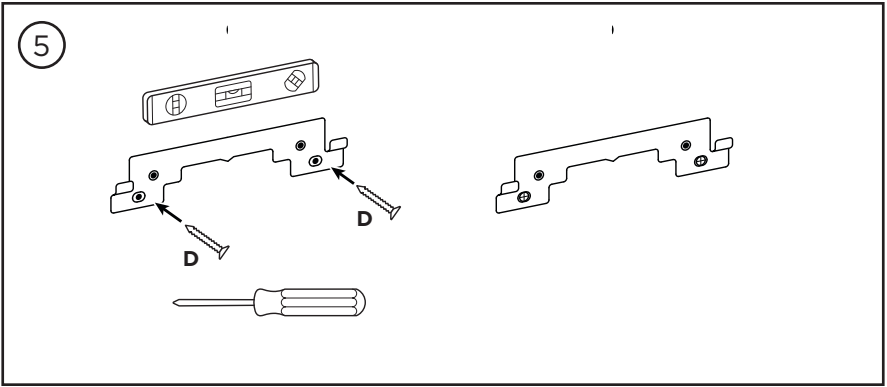


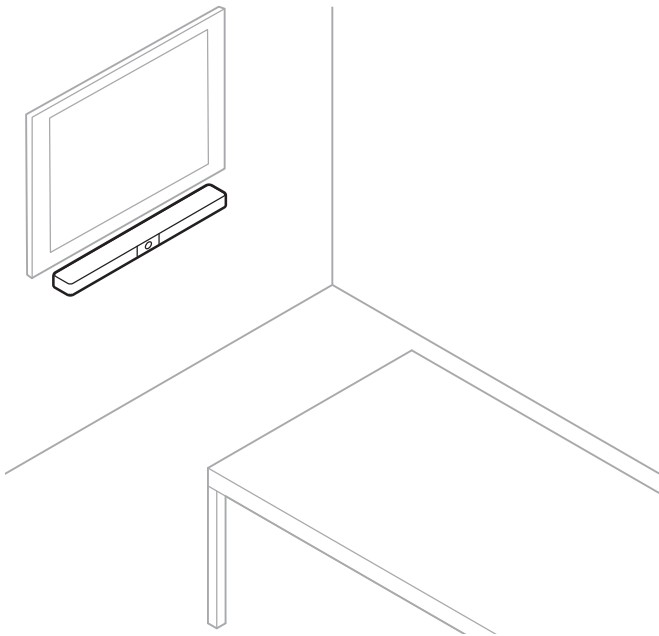
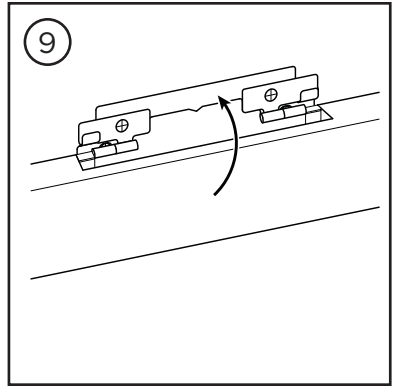
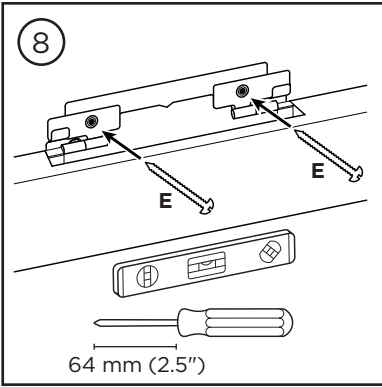
Montante de madera



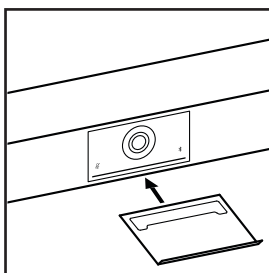
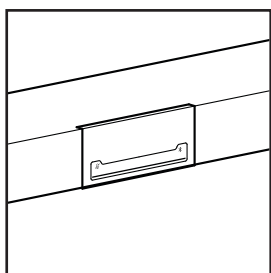
Montante de metal







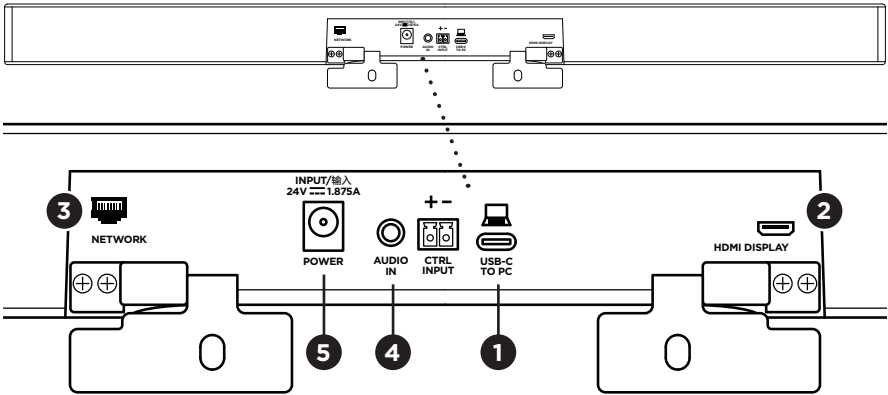
Cubierta de privacidad para cámara



La cubierta de privacidad para cámara incluida le permite cubrir completamente el campo de visión de la cámara sin ocultar los indicadores y la barra de luces.

La cubierta es magnética y permanecerá en su lugar cuando se monte en la lente de la VB1, como se muestra en la imagen. Para guardarla cuando no la utilice, fije la cubierta a la superficie inferior debajo de la lente.

Conexiones de los cables



1. Conecte el cable USB-C® incluido al puerto **USB-C**.

Deje el otro extremo de este cable sobre la mesa, de modo que el organizador de la reunión pueda conectar o desconectar fácilmente su computadora en cada reunión.

Nota: Si la computadora que aloja la reunión solo tiene puertos USB-A, conecte el adaptador de USB-C a USB-A incluido en el extremo para la computadora del cable USB-C.

2. **Opcional:** Utilice el cable HDMI incluido para conectar el puerto **HDMI Display** a un puerto HDMI de un monitor o una pantalla de video.

Nota: La computadora que aloja la reunión debe tener instalado el driver DisplayLink® más reciente, y la VB1 debe tener activada la configuración de DisplayLink (desactivada de forma predeterminada) para que la salida HDMI funcione. Visite displaylink.com/downloads para descargar el driver más reciente. Active o desactive la configuración de DisplayLink mediante la aplicación Videobar Configuration o su interfaz de usuario web, o la aplicación Videobar Administration (consulte **Aplicaciones de software (Página 23)**).

3. **Opcional:** Si tiene previsto utilizar la VB1 en una red, use un cable Cat 5 (no incluido) para conectar el puerto **Network** a un puerto LAN, un conmutador de red, etc.

4. **Opcional:** Para el audio auxiliar desde una salida de audio analógica en una pantalla, conecte un cable estéreo de 3.5 mm (1/8") (no incluido) al conector **Audio In**.

La configuración de distribución de terminales es la siguiente:

1. Punta = entrada de audio izquierda
2. Anillo = entrada de audio derecha
3. Funda/anillo 2 = conexión a tierra



5. Conecte la fuente de alimentación incluida a la entrada **Power**.

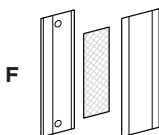
6. Utilice el cable de alimentación incluido para conectar la fuente de alimentación a una toma de corriente. La VB1 se encenderá automáticamente cuando se conecte a una fuente de alimentación.

Hay varias aplicaciones de software que le permiten configurar la Videobar VB1 para obtener un rendimiento óptimo. Consulte **Aplicaciones de software (Página 23)** para obtener más información.

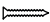
Si necesita usar un extensor USB, visite boseprofessional.com/VB1 para obtener una lista de los extensores USB de terceros recomendados para su uso con la VB1.

Administración de cables

La cubierta de administración de cables incluida puede mantener todo el cableado permanente en su lugar contra una pared.




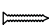
G  Anclaje pequeño para paneles de yeso (2)

H  Tornillo pequeño de cabeza plana (2)

Para instalar la cubierta de administración de cables:

1. Coloque y sostenga la parte posterior de la cubierta de cables (**F**) (la pieza con los orificios para tornillos) sobre la ubicación deseada en la pared.
2. Marque el centro de los 2 orificios para tornillos en la pared y retire la parte posterior de la cubierta de cables.
3. Si esa parte de la pared tiene un montante detrás, perforo 2 orificios de **2.4 mm** ($\frac{3}{32}$ ") en la pared.
Si esa parte de la pared no tiene ningún montante detrás, perforo 2 orificios de **5 mm** ($\frac{3}{16}$ ") en la pared.
4. Si esa parte de la pared no tiene ningún montante detrás, coloque los 2 anclajes pequeños para paneles de yeso (**G**) en la pared.
5. Alinee la parte posterior de la cubierta de cables (**F**) con los orificios para tornillos.
6. Coloque los 2 tornillos pequeños de cabeza plana (**H**) en la parte posterior de la cubierta de cables para fijarlos en la pared.
7. Agrupe los cables y colóquelos a lo largo de la guía de la parte posterior de la cubierta de cables (en la pared).
8. Quite la banda adhesiva de la espuma de la cubierta de cables (**F**).
9. Coloque firmemente la banda de espuma en la parte posterior de la cubierta de cables junto a los cables agrupados.
10. Coloque la parte frontal de la cubierta de cables (**F**) sobre los cables agrupados y la espuma, de modo que se adhiera.



- J**  Anclaje pequeño para paneles de yeso
- K**  Tornillo pequeño de cabeza plana

Para fijar el cable de la fuente de alimentación a la pared:

1. Determine en qué lugar de la pared desea fijar el cable de la fuente de alimentación.
2. Marque un orificio para tornillo en la pared.
3. Si esa parte de la pared tiene un montante detrás, perforo un orificio de **2.4 mm** ($\frac{3}{32}$ ") en la pared.
Si esa parte de la pared no tiene ningún montante detrás, perforo un orificio de **5 mm** ($\frac{3}{16}$ ") en la pared.
4. Si esa parte de la pared no tiene ningún montante detrás, coloque el anclaje pequeño para paneles de yeso (**J**) en la pared.
5. Alinee el ojal del sujetacables (**I**) con el orificio para tornillo.
6. Inserte el tornillo pequeño de cabeza plana (**K**) en el ojal del sujetacables para fijarlo en la pared.

APLICACIONES DE SOFTWARE

Dispone de 3 aplicaciones de software para configurar la Videobar VB1:

Utilice el software Videobar Configuration (disponible para Windows, macOS o mediante un navegador web) para instalar y configurar el dispositivo.

Características:

- Control de la cámara: paneo, inclinación, zoom, preajustes y encuadre automático.

- Configuración y administración protegidas por contraseña.

- Capacidad de instalar actualizaciones de firmware, crear y aplicar perfiles de configuración, activar o desactivar la salida HDMI (DisplayLink), ajustar la red, *Bluetooth*, la configuración avanzada de la cámara y mucho más.

- Notificaciones de actualizaciones del software del dispositivo Videobar disponibles.

- Disponibilidad para Windows, macOS, o bien mediante un navegador web, de modo que ofrece todas las funciones del software de escritorio a través de una conexión a la red.

Utilice el software Videobar Administration para la administración remota, la implementación de cambios en uno o en varios dispositivos en toda la empresa y la visualización del estado de los dispositivos en tiempo real.

Características:

- Consulte el estado de los dispositivos y controle las funciones más importantes de todos sus dispositivos Bose Professional Videobar desde un solo lugar.

- Programa actualizaciones de firmware para todos los dispositivos o solo los que seleccione.

- Vea, edite y guarde distintos parámetros por dispositivo o grupo de dispositivos.

- Detecte todos los dispositivos de la red. Cree, guarde y aplique diferentes perfiles de dispositivos.

- Disponible para Windows.

La aplicación móvil Videobar Mobile permite que cualquier persona en la sala pueda controlar la Videobar VB1 con su smartphone; p. ej., ajustar volumen, silenciamiento, paneo, inclinación, zoom, preajustes de zoom y emparejamiento *Bluetooth*.

Características:

- Control en tiempo real de volumen, silenciamiento, paneo, inclinación, zoom, preajustes de zoom y emparejamiento *Bluetooth* desde su dispositivo móvil.

- Uso de emparejamiento *Bluetooth* para detectar la Videobar VB1 y conectarse a esta.

- Disponible para iOS y Android.

Aplicación Videobar Configuration y su interfaz de usuario web

Para descargar e instalar la aplicación Videobar Configuration en su computadora:

1. En su computadora, visite **boseprofessional.com/VB1**.
2. Descargue e instale la aplicación **software Videobar Configuration**.

Para acceder a la aplicación Videobar Configuration y utilizarla a fin de configurar la VB1:

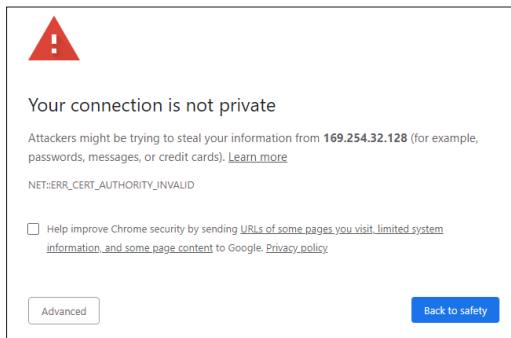
1. Conecte la computadora al puerto **USB-C** en la VB1.
2. Abra la aplicación **Videobar Configuration**.
3. Para acceder a los ajustes del administrador a fin de configurar la VB1, haga clic en el icono **Administrator** en el panel de navegación e ingrese la contraseña predeterminada de fábrica: **Bose123!**

Nota: Recomendamos cambiar la contraseña después de acceder.

Para acceder a la interfaz de usuario web de Videobar Configuration basada en navegador y utilizarla a fin de configurar la VB1 a través de una conexión de red:

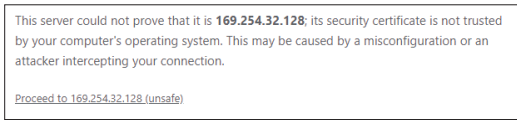
1. Conecte su computadora y la VB1 a la misma red.
2. Ingrese la dirección IP de la VB1 en la barra de direcciones de un navegador web en su computadora y presione **Intro**. (Puede determinar la dirección IP de la VB1 mediante la aplicación Videobar Configuration a través de USB o con la aplicación Videobar Administration, la cual detecta automáticamente las VB1 en la red). Se abrirá la interfaz de usuario web de Videobar Configuration.

Nota: En algunos navegadores, es posible que aparezca una advertencia de seguridad como esta:



Esto es normal y no plantea un riesgo de seguridad. Haga clic en **Configuración avanzada**. (Si alguna vez no está seguro de si debe realizar una operación en su computadora, en un navegador web, etc., primero consulte con su administrador de sistemas o TI).

Es posible que reciba un mensaje de seguimiento:



Esto también es normal. Haga clic en el enlace **Ir a...** para ir a la página de inicio de sesión de la interfaz de usuario web de Videobar Configuration.

La contraseña de administrador predeterminada de fábrica es: **Bose123!**

Nota: Recomendamos cambiar la contraseña después de acceder.

Para acceder al archivo de ayuda de la aplicación Videobar Configuration o su interfaz de usuario web, consulte la página de **Settings** en la aplicación o la interfaz de usuario web.

Aplicación Videobar Administration

Para descargar el software Videobar Administration:

1. En su computadora, visite **boseprofessional.com/VB1**.
2. Descargue e instale la aplicación **Videobar Administration**.

Para acceder a la aplicación Videobar Administration y utilizarla a fin de configurar una o más VB1 a través de una conexión de red:

1. Conecte su computadora y cada VB1 a la misma red.
2. Abra la aplicación **Videobar Administration**.

Para acceder al archivo de ayuda de la aplicación Videobar Administration, consulte la página **Acerca de Videobar Administration** en la aplicación.

Aplicación Videobar Mobile

La aplicación Videobar Mobile incorpora las funciones del control remoto infrarrojo en su dispositivo móvil, lo que resulta muy práctico. Para descargar la aplicación Videobar Mobile:

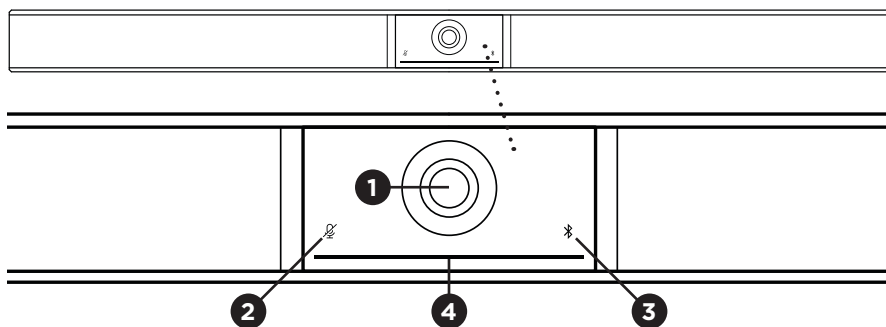
1. Busque y descargue la aplicación **Videobar Mobile** en App StoreSM o Google PlayTM.
2. Abra la aplicación en su dispositivo móvil y active el seguimiento de ubicación.
3. En su dispositivo móvil, conéctese a **Videobar VB1**.

Para acceder al archivo de ayuda de la aplicación Videobar Mobile, consulte la página de **Settings** en la aplicación.

INFORMACIÓN DEL PRODUCTO

Paneles

Panel frontal



1. **Cámara**
2. **Indicador de silenciamiento:** Esta luz se ilumina en rojo cuando los micrófonos están apagados.
3. **Indicador de *Bluetooth*:** Esta luz indica el estado actual de la conectividad *Bluetooth* de la VB1:

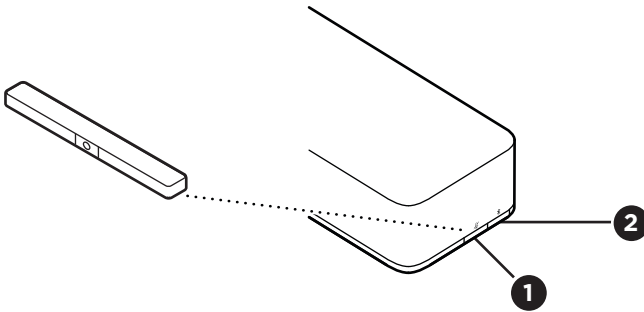
Titila lentamente de color azul: La VB1 está disponible para emparejarse con un dispositivo móvil con *Bluetooth*.

Blanco fijo: La VB1 está conectada a la aplicación Videobar Mobile o a un dispositivo móvil para realizar llamadas y utilizar medios.

Apagado: Sin conectividad *Bluetooth*.

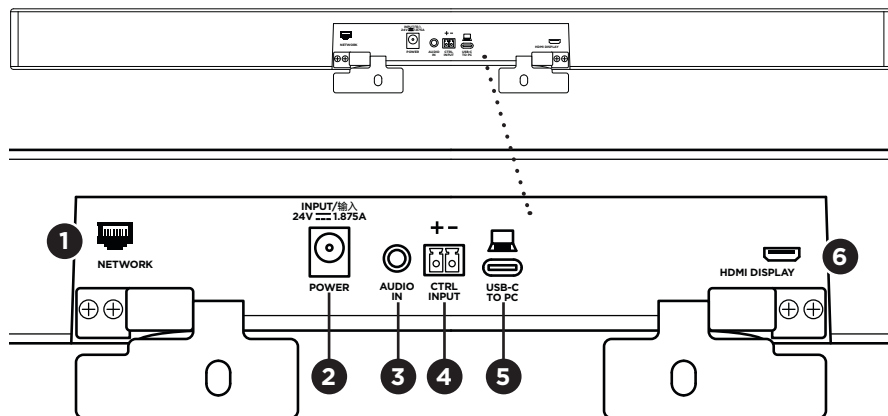
4. **Barra de luces:** Consulte **Barra de luces (Página 31)** para obtener más información al respecto.

Panel lateral



1. **Botón de silenciamiento:** Presione este botón para activar o desactivar el silenciamiento de los micrófonos de la VB1.
2. **Botón *Bluetooth*:** Mantenga presionado este botón para acceder al modo de emparejamiento.

Panel posterior



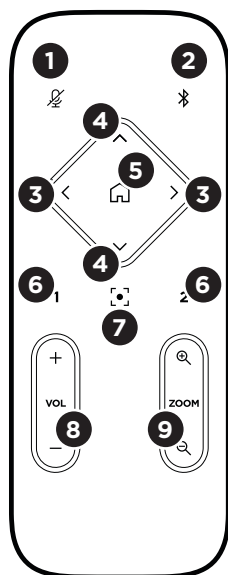
1. **Network:** Utilice esta conexión RJ45 de 1 Gbps para realizar la configuración o el monitoreo. (Este puerto se encuentra en la parte interior del panel posterior).
2. **Power:** Conecte la fuente de alimentación incluida.
3. **Audio In:** Utilice un cable estéreo de 3.5 mm (1/8") (no incluido) para conectarse a una fuente de audio opcional, como la salida de audio de una pantalla o un monitor conectado.
4. **Ctrl Input:** Utilice el puerto para anular el silenciamiento mediante el conector Euroblock de 2 pines incluido. De forma predeterminada, esta entrada está activa con señal baja e incluye un pull-up interno.
5. **USB-C:** Conecte este puerto a la computadora que aloja la reunión.
6. **HDMI Display:** Utilice el cable HDMI incluido para conectar este puerto a una pantalla. (Este puerto se encuentra en la parte interior del panel posterior).

Nota: La computadora que aloja la reunión debe tener instalado el driver DisplayLink® más reciente, y la VBI debe tener activada la configuración de DisplayLink (desactivada de forma predeterminada) para que la salida HDMI funcione. Visite [displaylink.com/downloads](https://www.displaylink.com/downloads) para descargar el driver más reciente. Active o desactive la configuración de DisplayLink mediante la aplicación Videobar Configuration o su interfaz de usuario web, o la aplicación Videobar Administration (consulte **Aplicaciones de software (Página 23)**).

Control remoto

La Videobar VB1 incluye un control remoto infrarrojo que le permite ajustar la configuración de la cámara y el volumen, silenciar los micrófonos, y hacer que la VB1 entre en modo de emparejamiento *Bluetooth*.

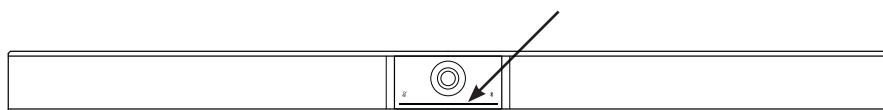
Nota: Todas las funciones de control remoto también están disponibles en las aplicaciones de software que le permiten configurar la Videobar VB1. Consulte **Aplicaciones de software (Página 23)** para obtener más información.
















- Silenciar:** Active o desactive el silenciamiento de los micrófonos de la VB1.
- Bluetooth:** Mantenga presionado durante 3 segundos para acceder al modo de emparejamiento. Si ya está emparejado con un dispositivo, mantenga presionado para desconectarlo.
- Paneo de la cámara:** Presione para panear la cámara hacia la izquierda y hacia la derecha (< o >) o mantenga presionado para realizar un ajuste continuo.
- Inclinación de la cámara:** Presione para inclinar la cámara hacia arriba y hacia abajo (▲ o ▼) o mantenga presionado para realizar un ajuste continuo.
- Preajuste de inicio:** Restablece los ajustes de la cámara (paneo, inclinación y zoom (PTZ, por los nombres en inglés)) a la posición de Inicio. La posición de Inicio se puede cambiar en la aplicación Videobar Configuration.
- Preajustes 1 y 2:** Presione a fin de seleccionar el Preajuste 1 o 2 para la cámara. Mantenga presionado para guardar los ajustes de la cámara (paneo, inclinación y zoom (PTZ)) actuales como Preajuste 1 o 2.
- Encuadre automático:** Active o desactive el encuadre automático. Cuando está activado, los ajustes de la cámara (paneo, inclinación y zoom (PTZ)) se establecen automáticamente para incluir a todos los participantes en el campo de visión en todo momento.
- Volumen:** Suba o baje el volumen (+ o -).
- Zoom de la cámara:** Aumente o disminuya (+ o -) la relación de zoom de la cámara.




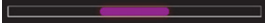
Barra de luces

La barra de luces está ubicada debajo de la cámara de la VB1.



Apariencia	Actividad	Estado del sistema
	Una pequeña sección de luces en el centro de la barra de luces se ilumina de color blanco fijo.	Encendido y activo.
	Todas las luces se iluminan de color blanco fijo.	La reunión está activa. La cámara está apagada.
	La luz del centro se ilumina de color verde fijo, y las luces ubicadas a su alrededor se iluminan de color blanco fijo.	La reunión está activa. La cámara está encendida con el encuadre automático desactivado.
	Una pequeña sección de luces en el centro de la barra de luces se ilumina de color verde fijo, y las luces ubicadas a su alrededor se iluminan de color blanco fijo.	La reunión está activa. La cámara está encendida con el encuadre automático activado.
	Una pequeña sección de luces en el centro de la barra de luces se ilumina de color verde fijo, y las luces ubicadas a su alrededor están apagadas.	La cámara está encendida. No hay ninguna reunión activa.
	La luz ubicada en el extremo izquierdo de la barra de luces parpadea una vez (blanco/encendida si no hay ninguna llamada activa; apagada si hay una llamada activa).	El volumen se redujo un punto.

Apariencia	Actividad	Estado del sistema
	<p>La luz ubicada en el extremo derecho de la barra de luces parpadea una vez (blanco/encendida si no hay ninguna llamada activa; apagada si hay una llamada activa).</p>	<p>El volumen se elevó un punto.</p>
	<p>Una pequeña barra de luces ubicada en el extremo izquierdo de la barra de luces parpadea una vez (blanco/encendida si no hay ninguna llamada activa; apagada si hay una llamada activa).</p>	<p>El volumen se ajustó en su nivel más bajo.</p>
	<p>Una pequeña barra de luces ubicada en el extremo derecho de la barra de luces parpadea una vez (blanco/encendida si no hay ninguna llamada activa; apagada si hay una llamada activa).</p>	<p>El volumen se ajustó en su nivel más alto.</p>
	<p>Una pequeña sección de luces en el centro de la barra de luces parpadea en color blanco con rapidez.</p>	<p>La VB1 está buscando una red Wi-Fi.</p>
	<p>Una pequeña sección de luces en el centro de la barra de luces titila de color blanco una vez y, luego, se apaga.</p>	<p>La VB1 se conectó a una red Wi-Fi. Esto también significa que la VB1 detectó una nueva fuente de audio conectada al puerto USB host o Audio In.</p>
	<p>Una pequeña sección de luces en el centro de la barra de luces se enciende en color rojo fijo.</p>	<p>La VB1 no está funcionando correctamente debido a un problema de firmware/software. Comuníquese con el servicio técnico de Bose Professional.</p>
	<p>Una pequeña sección de luces en el centro de la barra de luces parpadea en color ámbar.</p>	<p>La VB1 no está funcionando correctamente debido a un problema de conexión. Asegúrese de que la VB1 esté conectada a una red.</p>

Apariencia	Actividad	Estado del sistema
	<p>Las luces blancas se mueven repetidamente entre los extremos derecho e izquierdo.</p>	<p>La VB1 está descargando e instalando una actualización de firmware. No desconecte la VB1 de la toma de corriente ni de la red. Cuando se complete la actualización, la barra de luces dejará de moverse y la VB1 reproducirá un tono de audio.</p>
	<p>Una pequeña sección de luces en el centro de la barra de luces titila de color blanco repetidamente. Luego, las luces se mueven hacia fuera desde el centro hasta que toda la barra de luces se ilumina en color blanco fijo. Las luces se apagan siguiendo el mismo patrón.</p>	<p>La VB1 se está reiniciando después de que se haya restaurado su configuración de fábrica.</p>
	<p>Una pequeña sección de luces en el centro de la barra de luces titila de color blanco repetidamente.</p>	<p>La VB1 se está reiniciando después de un corte de energía.</p>
	<p>Una pequeña sección de luces en el centro de la barra de luces titila en color morado repetidamente.</p>	<p>La aplicación Videobar Administration está enviando un mensaje "Identificar dispositivo" a la VB1.</p>

FUNCIONAMIENTO

Iniciar una reunión

Nota: La computadora que aloja la reunión debe tener instalado el driver DisplayLink® más reciente, y la VB1 debe tener activada la configuración de DisplayLink (desactivada de forma predeterminada) para que la salida HDMI funcione. Visite displaylink.com/downloads para descargar el driver más reciente. Active o desactive la configuración de DisplayLink mediante la aplicación Videobar Configuration o su interfaz de usuario web, o la aplicación Videobar Administration (consulte **Aplicaciones de software (Página 23)**).

Para iniciar una reunión con la VB1:

1. Conecte el cable USB incluido entre la VB1 y la computadora. Utilice el adaptador de USB-C a USB-A incluido si es necesario.
2. Inicie la reunión en el software para reuniones que prefiera.
3. En la configuración del dispositivo del software para reuniones, seleccione **Videobar VB1** como el dispositivo para el micrófono, los altavoces y la cámara.

Para realizar una llamada con la VB1 como altavoz:

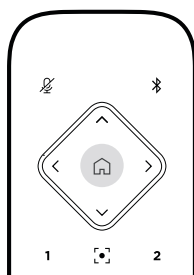
1. Presione el botón **Bluetooth** ubicado en el costado de la VB1 (o mantenga presionado el botón *Bluetooth* en el control remoto durante 3 segundos) para que la VB1 entre en modo de emparejamiento.
2. En su dispositivo móvil, busque los dispositivos *Bluetooth* disponibles y seleccione la VB1.
3. Realice una llamada desde su dispositivo móvil. El audio se enruta automáticamente desde su dispositivo móvil a los altavoces y micrófonos de la VB1.

Ajustar la cámara

Nota: Todas las funciones de control remoto también están disponibles en las aplicaciones de software que le permiten configurar la Videobar VB1. Consulte **Aplicaciones de software (Página 23)** para obtener más información.

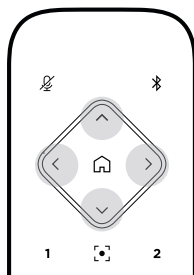
Sugerencia: Para realizar ajustes rápidos y sencillos en la configuración de la cámara, le recomendamos que utilice la aplicación Videobar Mobile en su dispositivo móvil. Consulte **Aplicación Videobar Mobile (Página 26)**.

Restablecer la cámara



Para que la cámara vuelva a su configuración predeterminada de paneo, inclinación y zoom, presione el botón **Inicio** en el control remoto.

Ajustar los ángulos de paneo e inclinación



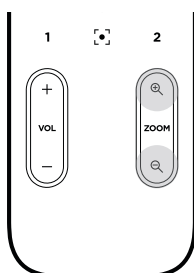
Nota: Puede ajustar los ángulos de paneo e inclinación solo si la imagen de la cámara no está totalmente alejada.

Para ajustar el ángulo de paneo (de izquierda a derecha) de la cámara, presione uno de los botones de paneo de la cámara (< o >) en el control remoto.

Para ajustar el ángulo de inclinación (de arriba abajo) de la cámara, presione uno de los botones de inclinación de la cámara (▲ o ▼) en el control remoto.

Presione un botón una vez para ajustar la cámara en incrementos o manténgalo presionado para realizar un ajuste continuo.

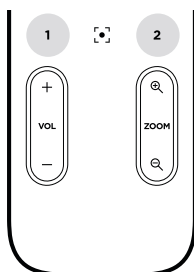
Ajustar la relación de zoom



Para ajustar la relación de zoom de la cámara, presione uno de los botones de **zoom** (+ o -) en el control remoto.

Presione un botón una vez para ajustar la cámara en incrementos o manténgalo presionado para realizar un ajuste continuo.

Guardar y recuperar un preajuste



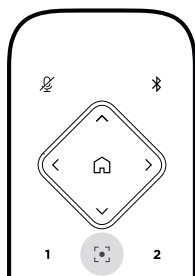
Puede guardar los ajustes de paneo, inclinación y zoom de la cámara en un preajuste: Preajuste 1 o Preajuste 2. Cuando recupere un preajuste guardado, la cámara volverá a aplicar inmediatamente los ajustes de paneo, inclinación y zoom guardados.

Para guardar un preajuste:

1. Configure los ajustes de paneo, inclinación y zoom según lo desee.
2. Mantenga presionado el botón del preajuste deseado en el control remoto (**Preajuste 1** o **Preajuste 2**) durante 3 segundos. Los ajustes de la cámara se guardarán en ese preajuste.

Para recuperar un preajuste guardado, presione el botón del preajuste deseado en el control remoto (**Preajuste 1** o **Preajuste 2**). La cámara cambiará inmediatamente los ajustes de paneo, inclinación y zoom a aquellos que se guardaron en ese preajuste.

Activar/desactivar el encuadre automático



Para activar o desactivar la función de encuadre automático de la cámara, presione el botón **Encuadre automático** del control remoto.

Cuando está activada, la cámara ajusta de forma automática y continua los valores de paneo, inclinación y zoom para incluir en el campo de visión a todos los participantes que están en la sala.

Nota: Si se configuran los ajustes de paneo, inclinación o zoom, o se selecciona **Inicio**, **Preajuste 1** o **Preajuste 2**, se desactiva automáticamente el encuadre automático.

Cuando esté desactivado, configure manualmente los ajustes de paneo, inclinación y zoom (PTZ) de la cámara.

Administrar niveles de audio

La Videobar VB1 cuenta con 4 entradas de audio: micrófonos, audio USB, audio *Bluetooth* y entrada analógica (conector **Audio In**).

La VB1 también tiene 3 salidas de audio: altavoces, audio USB y audio *Bluetooth*.

Los niveles en tiempo real de todas estas señales, a excepción del conector **Audio In**, se pueden ver en la pestaña de **Meters** de la aplicación Videobar Configuration o de su interfaz de usuario web.

Reproducción de audio local

La música o el audio a través de las entradas USB, *Bluetooth* o analógica se reproduce a través de los altavoces de la VB1. Este audio no se envía al extremo alejado durante las reuniones.

Audio de reuniones

El audio de los micrófonos de la VB1 se envía al extremo alejado (a través de la salida USB) después de que se ejecuta la función de cancelación del eco acústico (AEC).

Si se envía la reproducción de audio local mediante la entrada USB, se reproducirá a través de los altavoces de la VB1, pero la función de AEC eliminará la música de la recepción de audio de los micrófonos de la VB1 antes de enviarla al extremo alejado.

Si desea enviar la reproducción de audio local al extremo alejado, comparta la aplicación de reproducción de audio dentro del software para reuniones.

Ajustar los niveles de audio

La VB1 cuenta con 2 controles de volumen: para los altavoces de la VB1 y para la ganancia de la entrada analógica (**Audio In**).

Para ajustar el volumen de los altavoces de la VB1, utilice los botones de **volumen +** o **-** en el control remoto, ajuste el volumen de la computadora host, o ajuste el volumen del audio *Bluetooth*. Estos 3 niveles de volumen siempre están sincronizados, por lo que, si se ajusta uno de ellos, también se modifican los otros.

Nota: Todas las funciones de control remoto también están disponibles en las aplicaciones de software que le permiten configurar la Videobar VB1. Consulte **Aplicaciones de software (Página 23)** para obtener más información.

Si es necesario, ajuste la **Analog Input Gain** para recortar la señal enviada al conector **Audio In**, de modo que coincida con los niveles nominales de la computadora que aloja la reunión y el audio *Bluetooth*. Puede hacer esto en la aplicación Videobar Configuration o en su interfaz de usuario web, o en la aplicación Videobar Administration (consulte **Aplicaciones de software (Página 23)**).

Administrar dispositivos *Bluetooth*

La VB1 se puede emparejar con un dispositivo *Bluetooth* a la vez. Por ejemplo, no se puede emparejar con un dispositivo mediante la aplicación Videobar Mobile y con otro dispositivo para realizar llamadas o reproducir audio.

Emparejar un dispositivo *Bluetooth* con la VB1

La aplicación Videobar Mobile empareja su dispositivo *Bluetooth* con la VB1 a través de *Bluetooth* de baja energía (BLE). La aplicación detecta automáticamente las VB1 cercanas.

Para emparejar un dispositivo *Bluetooth* con la VB1 mediante la aplicación Videobar Mobile, abra la aplicación y seleccione la VB1 deseada. El indicador de *Bluetooth* ubicado en el panel frontal de la VB1 se iluminará de color blanco fijo cuando esté conectado. (Consulte **Aplicación Videobar Mobile (Página 26)** para obtener más información).

Para emparejar un dispositivo *Bluetooth* a fin de realizar llamadas o reproducir audio:

1. Presione el botón **Bluetooth** ubicado en el costado de la VB1 (o mantenga presionado el botón *Bluetooth* en el control remoto durante 3 segundos) para que la VB1 entre en modo de emparejamiento. El indicador de *Bluetooth* ubicado en el panel frontal de la VB1 parpadeará en color azul.
2. En su dispositivo *Bluetooth*, busque otros dispositivos *Bluetooth* disponibles y seleccione la VB1. El indicador de *Bluetooth* ubicado en el panel frontal de la VB1 se iluminará de color blanco fijo cuando esté conectado.

Desconectar un dispositivo *Bluetooth* de la VB1

La VB1 no se volverá a conectar de forma automática a un dispositivo *Bluetooth* emparejado previamente. Una vez que se pierde la conexión *Bluetooth* (debido a la distancia, la desconexión intencional, el emparejamiento con otro dispositivo, etc.), deberá seguir los pasos para volver a realizar el emparejamiento.

A fin de desconectar un dispositivo *Bluetooth* de la VB1, realice una de las siguientes acciones:

Desactive la conexión *Bluetooth* en su dispositivo móvil.

Presione el botón **Bluetooth** ubicado al costado de la VB1.

Mantenga presionado el botón **Bluetooth** en el control remoto durante 3 segundos.

Modos de baja potencia

Las normativas energéticas de algunos países exigen que productos como la VB1 entren en un modo de baja potencia cuando no están en uso para ahorrar energía. Puede desactivar (o volver a activar) esta función en la VB1 mediante la aplicación Videobar Configuration o su interfaz de usuario web, o la aplicación Videobar Administration (consulte **Aplicaciones de software (Página 23)**).

El modo de baja potencia de la VB1 en realidad consta de 2 etapas: un modo de **espera** y un modo de **espera de baja potencia**.

Si el modo de baja potencia está activado, la VB1 entrará en modo de espera después de 18 minutos de inactividad. Después de 2 horas más de inactividad, entrará en el modo de espera de baja potencia. En ambos modos, la barra de luces ubicada en la parte frontal de la VB1 estará apagada.

Si el modo de baja potencia está desactivado, ambos modos también lo estarán.

Ciertos comandos o acciones pueden evitar que la VB1 entre en modo de espera, reactivar la VB1 desde el modo de espera (hacer que vuelva a su funcionamiento normal) o reactivar la VB1 desde su modo de espera de baja potencia (hacer que vuelva a su funcionamiento normal).

Acción o comando	Evita que la VB1 entre en modo de espera.	Reactiva la VB1 desde el modo de espera.	Reactiva la VB1 desde el modo de espera de baja potencia.
Acción de presionar botones	Botón de silenciamiento o Bluetooth ubicado en el costado de la VB1	✓	✓
	Cualquier botón del control remoto	✓	✓
USB	Conexión del dispositivo al puerto USB-C		✓
	Comunicación desde la aplicación Videobar Configuration o su interfaz de usuario web	✓	
	Reproducción de audio	✓	✓
Bluetooth	Conexión activa	✓	✓
	Reproducción de audio	✓	✓
Wi-Fi o Ethernet	Comunicación desde la aplicación Videobar Configuration o su interfaz de usuario web	✓	✓
	Comunicación desde la aplicación Videobar Administration	✓	✓
HDMI Display	Computadora conectada al puerto HDMI Display con DisplayLink activado	✓	✓
Audio In	Reproducción de audio	✓	✓

CUIDADO Y MANTENIMIENTO

Limpiar la VB1

La VB1 puede requerir una limpieza periódica.

Limpie la superficie externa con un paño suave y seco.

NO permita que entre humedad en la rejilla o en alguna conexión de cable.

Repuestos y accesorios

Los repuestos y accesorios se pueden pedir al servicio de atención al cliente de Bose Professional. Visite **boseprofessional.com**.

Garantía limitada

La Videobar VB1 está cubierta por una garantía limitada. Visite nuestro sitio web en **boseprofessional.com/warranty** para obtener más detalles.

Ubicación del número de serie

Los números de serie y de modelo se encuentran en el panel posterior del producto.

También puede ver el número de serie en la aplicación Videobar Configuration o en su interfaz de usuario web, o en la aplicación Videobar Administration (consulte **Aplicaciones de software (Página 23)**).

Restaurar la configuración de fábrica

La restauración de la configuración de fábrica tiene los siguientes fines:

Borrar la lista de dispositivos *Bluetooth* emparejados con la VB1.

Borrar los preajustes de la cámara (Preajuste 1 y Preajuste 2).

Restaurar todos los ajustes de la cámara, los micrófonos y los altavoces a sus valores predeterminados. (Muchos de estos ajustes se configuran en el software Videobar Configuration o Videobar Administration).

Restablecer la contraseña del administrador a **Bose123!**

Nota: Recomendamos cambiar la contraseña después de restablecerla.

Para restaurar todos los ajustes de la VB1 a sus valores predeterminados de fábrica, realice una de las siguientes acciones:

En el control remoto, mantenga presionados simultáneamente los botones **Inicio** y **Encuadre automático** durante 5 segundos.

En el costado de la VB1, mantenga presionados simultáneamente los botones de **Silenciar** y **Bluetooth** durante 5 segundos.

Una pequeña barra de luces en el centro de la barra de luces titilará de color blanco repetidamente. Luego, las luces se moverán hacia fuera desde el centro hasta que toda la barra de luces se ilumine de color blanco fijo. Las luces se apagarán siguiendo el mismo patrón. Cuando se complete este proceso, la VB1 se reiniciará con la configuración de fábrica.

Contraseña olvidada

Si olvidó la contraseña para acceder a los ajustes del administrador, debe restaurar la configuración de fábrica para restablecer la contraseña (consulte **Restaurar la configuración de fábrica (Página 42)**).

Nota: Recomendamos cambiar la contraseña después de restablecerla.

Actualizar el software

Puede utilizar la aplicación Videobar Configuration y la aplicación Videobar Administration para comprobar e instalar actualizaciones de firmware de la VB1. Consulte **Aplicaciones de software (Página 23)** para obtener más información sobre cómo acceder a estas aplicaciones de software y cómo descargarlas.

Si está utilizando la **interfaz de usuario web de Videobar Configuration** para configurar la VB1, es posible que no pueda comprobar ni actualizar automáticamente el firmware desde el servidor en línea, a menos que su computadora también esté conectada a Internet.

Si no puede acceder a las actualizaciones de firmware mientras utiliza la interfaz de usuario web, realice una de las siguientes acciones en su lugar:

Utilice la aplicación **Videobar Configuration**.

Utilice la aplicación **Videobar Administration**.

Descargue el archivo de firmware directamente en su computadora y utilice la **interfaz de usuario web de Videobar Configuration** para actualizar el firmware como si fuera una versión anterior.

SOLUCIÓN DE PROBLEMAS

Intente primero con estas soluciones

Si tiene problemas con la VB1, intente primero con estas soluciones:

Asegúrese de que la VB1 esté conectada a la alimentación.

Asegúrese de que todos los cables conectados al panel posterior estén conectados de manera segura. Consulte **Conexiones de los cables (Página 20)**.

Verifique los indicadores de estado. Consulte **Panel frontal (Página 27)**.

Asegúrese de que el dispositivo móvil sea compatible con conexiones *Bluetooth*.

Busque si hay actualizaciones de software de la VB1 disponibles. Consulte **Actualizar el software (Página 42)**.

Acerque su dispositivo *Bluetooth* a la VB1 y aléjelo de interferencias u obstrucciones.

Ajuste el volumen de la VB1, la computadora, el dispositivo *Bluetooth* o cualquier otra fuente de audio. Consulte **Administrar niveles de audio (Página 38)**.

Si no pudo resolver el problema, consulte la siguiente tabla para identificar síntomas y soluciones a problemas frecuentes. Si no puede resolver el problema, póngase en contacto con el servicio de atención al cliente de Bose Professional. Visite **boseprofessional.com**.

Problema	Qué hacer
Puedo escuchar música, pero mi PC no está conectada.	Compruebe si el indicador de <i>Bluetooth</i> está iluminado de color blanco fijo. Si es así, es posible que otro dispositivo <i>Bluetooth</i> ya esté emparejado con la VB1. Presione el botón <i>Bluetooth</i> ubicado en el costado de la VB1 para desconectarlo.
El sonido es demasiado bajo o no se escucha en absoluto.	Es posible que el volumen esté demasiado bajo. Suba el volumen con: <ul style="list-style-type: none"> el control remoto de la VB1 su dispositivo móvil <i>Bluetooth</i> (si está usando uno) el software para reuniones (volumen del altavoz) Si aún no escucha ningún sonido, asegúrese de que la Videobar VB1 esté seleccionada como altavoz en el software para reuniones.
El sonido está distorsionado.	Es posible que el volumen esté demasiado alto. Baje el volumen con: <ul style="list-style-type: none"> el control remoto de la VB1 su dispositivo móvil <i>Bluetooth</i> (si está usando uno) el software para reuniones (volumen del altavoz)

Problema	Qué hacer
<p>El ajuste de volumen en mi computadora no tiene ningún efecto en el volumen de la VB1.</p>	<p>Es posible que su computadora no tenga seleccionada la VB1 como el dispositivo de reproducción de audio predeterminado (incluso si el software para reuniones funciona correctamente con la VB1).</p> <p>Windows: Haga clic con el botón derecho en el icono de altavoz en la bandeja del sistema (en la barra de tareas) y seleccione la Videobar VB1 como dispositivo de reproducción.</p> <p>macOS: Haga clic en el icono de Apple en la esquina superior izquierda de la pantalla y seleccione Preferencias del sistema; haga clic en Sonido y, luego, haga clic en Salida. Seleccione Videobar VB1 en la lista de dispositivos.</p>
<p>El nivel de volumen de mi computadora o dispositivo móvil cambió repentinamente cuando lo conecté a la VB1.</p>	<p>Esto es normal. La VB1 sincroniza automáticamente el nivel de volumen de todos los dispositivos cuando se conectan a ella.</p>
<p>La Videobar VB1 no aparece en la lista como micrófono, altavoz o cámara en mi software para reuniones.</p>	<p>Espera aproximadamente 30 segundos para que su computadora registre la VB1 como dispositivo de micrófono, altavoz y cámara.</p> <p>Si aun así no funciona, intente con las siguientes soluciones:</p> <ul style="list-style-type: none"> Asegúrese de que el cable USB esté conectado de forma segura a su computadora. Intente conectarse a un puerto USB diferente en su computadora. Asegúrese de que la VB1 esté encendida (conectada de forma segura a la toma de corriente). Asegúrese de que el cable USB esté conectado de forma segura al puerto USB-C en el panel posterior de la VB1. <p>Pruebe usar un cable USB más corto.</p>
<p>En mi software para reuniones, se muestra un mensaje que indica que el video no funciona o no se puede iniciar.</p>	<p>Esto suele ocurrir cuando la aplicación Videobar Configuration u otro cliente de comunicaciones unificadas ya utiliza y controla la cámara. Cierre la otra aplicación que está utilizando el video.</p>
<p>Cuando intento conectarme a la VB1 mediante la interfaz de usuario web de Videobar Configuration, en mi navegador aparece una advertencia de seguridad.</p>	<p>Esto es normal, ya que la VB1 no proporciona un certificado de seguridad basado en una dirección IP asignada de forma dinámica. Consulte Aplicación Videobar Configuration y su interfaz de usuario web (Página 24) para obtener instrucciones específicas. (Si alguna vez no está seguro de si debe realizar una operación en su computadora, en un navegador web, etc., primero consulte con su administrador de sistemas o TI).</p>


Problema	Qué hacer
<p>No hay imagen de video en la segunda pantalla (desde el puerto HDMI Display).</p>	<p>Intente con las siguientes soluciones:</p> <ul style="list-style-type: none"> Asegúrese de que la pantalla esté encendida. Asegúrese de que la pantalla tenga su entrada/fuente establecida en el puerto HDMI que está conectado a la VB1. Asegúrese de que el cable HDMI esté conectado de forma segura a la VB1 y a la pantalla. Asegúrese de que su computadora tenga instalado el driver DisplayLink más reciente (displaylink.com/downloads). Asegúrese de que su computadora esté establecida en “extender” a una segunda pantalla (en lugar de “proyectarla” o “duplicarla”). Asegúrese de que la configuración de DisplayLink esté activada en el software Videobar Configuration.
<p>Mi computadora detecta la VB1 como una segunda pantalla, incluso cuando no está conectada al puerto HDMI Display.</p>	<p>Asegúrese de que su computadora esté establecida en “proyectar” o “duplicar” su pantalla (en lugar de “extenderla” a una segunda pantalla).</p>
<p>La imagen de video en la segunda pantalla (desde el puerto HDMI Display) no está sincronizada con la señal de audio.</p>	<p>Disminuya la resolución de visualización de video en la configuración de la pantalla de su computadora.</p>
<p>La imagen de video en la segunda pantalla (desde el puerto HDMI Display) está distorsionada.</p>	<p>Asegúrese de utilizar un cable suministrado por Bose Professional o un cable USB certificado. Asegúrese también de que el cable no esté dañado ni torcido.</p>
<p>La cámara acerca o aleja la imagen incluso cuando no la estoy ajustando manualmente.</p>	<p>Es posible que la función de encuadre automático de la cámara esté activada. Presione el botón Encuadre automático en el control remoto para desactivarla.</p> <p>Algunas aplicaciones de software para reuniones tienen una función de encuadre automático incorporada, la cual puede recortar la imagen o cambiar la relación de zoom de la cámara. Si es posible, desactive esta función en el software para reuniones.</p>
<p>El indicador de <i>Bluetooth</i> parpadea en color azul.</p>	<p>Esto es normal. Esto indica que la VB1 está en modo de emparejamiento <i>Bluetooth</i> (es posible que el botón <i>Bluetooth</i> ubicado en el costado de la VB1 o en el control remoto se haya presionado por accidente).</p>
<p>El indicador de <i>Bluetooth</i> se ilumina de color blanco fijo.</p>	<p>Esto es normal. Esto indica que la VB1 está conectada a un dispositivo móvil <i>Bluetooth</i> para reproducir música o realizar llamadas o a la aplicación Videobar Mobile.</p>

Problema	Qué hacer
La barra de luces está encendida.	<p>Si toda la barra de luces está iluminada, hay una reunión activa.</p> <p>Si solo una pequeña sección de la barra de luces está encendida, no hay ninguna reunión activa. La VB1 simplemente está encendida. Consulte Barra de luces (Página 31) para obtener más información.</p>
Una pequeña sección de luces en el centro de la barra de luces se ilumina de color verde fijo.	<p>Esto es normal. Esto indica que la cámara de la VB1 está encendida. (Si las demás luces de la barra de luces aparecen de color blanco fijo, hay una reunión activa. Si las demás luces de la barra de luces están apagadas, no hay ninguna reunión activa).</p>

Lisez et conservez à portée de main toutes les consignes de sécurité et le mode d'emploi.

Consignes de sécurité importantes

Pour plus d'informations sur votre Bose Professional Videobar VB1 (y compris les accessoires et les pièces de rechange), visitez boseprofessional.com/VB1 ou contactez le service client de Bose Professional.

1. Veuillez lire ces instructions.
2. Veuillez conserver ces consignes.
3. Respectez tous les avertissements.
4. Suivez toutes les instructions.
5. N'utilisez pas cet appareil à proximité d'eau ou de toute autre source d'humidité.
6. Utilisez uniquement un chiffon sec pour le nettoyage.
7. N'obstruez jamais les orifices d'aération. Suivez les instructions d'installation du fabricant.
8. N'installez pas cet appareil à proximité d'une quelconque source de chaleur, telle qu'un radiateur, une arrivée d'air chaud, un four ou tout autre appareil (notamment les amplificateurs) produisant de la chaleur.
9. Protégez le cordon d'alimentation contre les risques de piétinement ou de pincement, notamment au niveau des fiches, des prises de courant et des branchements à l'appareil.
10. Utilisez uniquement les accessoires spécifiés par le fabricant.
11.  Utilisez uniquement le chariot, le support, le trépied, l'équerre ou la table spécifié(e) par le fabricant ou vendu(e) avec l'appareil. Si vous utilisez un chariot, faites attention à ne pas faire basculer l'ensemble chariot/appareil.
12. Débranchez cet appareil pendant les orages ou en cas d'inutilisation prolongée.
13. Confiez toute réparation à du personnel qualifié. Une réparation est nécessaire lorsque l'appareil a été endommagé de quelque façon que ce soit (endommagement du cordon d'alimentation ou de la fiche électrique, renversement d'un liquide ou de tout objet sur l'appareil, exposition de l'appareil à la pluie ou à l'humidité, mauvais fonctionnement, chute de l'appareil, etc.).

AVERTISSEMENTS/PRÉCAUTIONS



Ce symbole sur le produit indique la présence d'une tension électrique dangereuse non isolée à l'intérieur de l'appareil, susceptible d'induire un risque de choc électrique.



Ce symbole sur le produit signale les instructions importantes mentionnées dans le guide d'installation, relatives au fonctionnement et à l'entretien de l'appareil.



Certaines pièces présentent un risque de suffocation. Ne les laissez pas à la portée des enfants de moins de 3 ans.



Ce produit contient des composants magnétiques. Consultez votre médecin afin de savoir si ces composants peuvent avoir une incidence sur tout dispositif médical implanté.



Ce produit ne doit pas être utilisé à une altitude supérieure à 2 000 mètres.

Tous les produits Bose Professional doivent être installés dans le respect des réglementations locales et nationales. L'installateur est responsable du respect de tous les codes et règlements locaux et nationaux en vigueur applicables à l'installation et au montage des enceintes. Consultez les autorités locales compétentes avant d'installer ce produit.

Lors du positionnement du produit, veillez à ne pas bloquer les ouvertures de ventilation de votre écran. Reportez-vous à la notice d'utilisation de votre écran et installez-le conformément aux instructions du fabricant.

Veillez à NE PAS effectuer de modifications non autorisées sur ce produit.

Lorsque vous avez besoin de piles de rechange, utilisez uniquement des piles alcalines AAA/LR03.

La batterie/pile fournie avec ce produit peut provoquer un incendie, une explosion ou une brûlure chimique si elle n'est pas correctement manipulée ou remplacée, ou si elle est remplacée par un type de batterie/pile non adapté. Veillez à ne pas les recharger, les désassembler, les chauffer ou les incinérer.

Conservez les piles et batteries hors de portée des enfants.

En cas de fuite, évitez tout contact du liquide avec la peau ou les yeux. En cas de contact, contactez immédiatement un médecin.

N'exposez pas les produits contenant des piles ou des batteries à une chaleur excessive (ne les placez pas à la lumière directe du soleil, près d'un feu ou de toute autre source de chaleur).

Utilisez uniquement les accessoires suivants pour monter ce produit.

Uniquement pour une installation murale sur les surfaces suivantes : Plaque de plâtre ≥ 10 mm.

Lors d'une installation sur des surfaces autres que celle spécifiée ci-dessus, contactez un installateur professionnel.

Les câbles d'interconnexion fournis avec cet appareil n'ont pas été approuvés pour une installation encastrée. Consultez la réglementation locale pour connaître le type de câblage requis pour une installation encastrée.

Veillez à ne pas installer sur des surfaces peu résistantes ou dans lesquelles peuvent être intégrés des éléments dangereux, tels que des fils électriques ou des tuyaux de plomberie.

Veillez à NE PAS utiliser cet appareil dans des véhicules ou des bateaux.

Pour assurer une ventilation correcte, Bose Professional déconseille de placer ce produit dans un espace confiné tel qu'une cavité murale ou un placard fermé.

N'installez pas le support ou le produit à proximité d'une source de chaleur, telle qu'une cheminée, un radiateur, une arrivée d'air chaud ou tout autre appareil (notamment des amplificateurs) produisant de la chaleur.

Tenez le produit à l'écart du feu et des sources de chaleur. Ne placez JAMAIS d'objets enflammés, tels que des bougies allumées, sur l'appareil ou à proximité.

Pour limiter les risques d'incendie ou d'électrocution, n'exposez PAS l'appareil à la pluie, à toutes formes de liquides ou à l'humidité.

Protégez ce produit de TOUT risque de ruissellement ou d'éclaboussure. Ne placez pas d'objets contenant des liquides, tels que des vases, sur le produit ou à proximité.

Ce produit n'est pas destiné à être monté ou utilisé dans des installations humides en intérieur (par exemple piscine intérieure, parc aquatique intérieur, baignoire à remous, sauna, hammam, patinoire intérieure, etc.).

Ne montez pas le produit dans des endroits où de la condensation peut se former.

Veillez à NE PAS utiliser un convertisseur continu-alternatif avec ce produit.

Utilisez ce produit uniquement avec l'adaptateur d'alimentation fourni.

Lorsque la fiche d'alimentation ou la prise multiple est utilisée comme dispositif de débranchement de l'appareil, elle doit rester facilement accessible.

Informations réglementaires

Dimensions (H × L × P) : 48 × 659 × 102 mm (1,9 × 27,0 × 4,0 po)

Poids net : 2,5 kg (5,6 lb)

Puissance en entrée : 24 VDC $\overline{\text{---}}$, 1,875 A

Cet appareil doit être installé et utilisé en préservant une distance minimale de 20 cm entre le corps rayonnant et votre corps.

Des câbles blindés doivent être utilisés pour assurer le respect des réglementations.

CAN ICES-3 (B)/NMB-3(B)

Informations sur les produits générateurs de bruit électrique (Déclaration de conformité FCC pour les États-Unis)

REMARQUE : cet appareil a fait l'objet de tests prouvant sa conformité aux limites imposées aux appareils numériques de classe B, conformément à la partie 15 de la réglementation de la FCC. Ces limites sont conçues pour offrir une protection raisonnable contre les interférences nuisibles dans une installation résidentielle. Ce matériel génère, utilise et est susceptible d'émettre de l'énergie à des fréquences radio. À ce titre, s'il n'est pas installé ou utilisé conformément aux instructions, il est susceptible de perturber les communications radio. Cependant, il n'est nullement garanti que de telles perturbations ne se produisent pas dans une installation donnée. Si cet appareil perturbe effectivement la réception de la radio ou de la télévision (ce qui peut être vérifié en allumant et en éteignant l'appareil), vous êtes invité à tenter de remédier au problème en prenant une ou plusieurs des mesures ci-dessous :

Réorientez ou déplacez l'antenne de réception.

Augmentez la distance séparant le matériel du récepteur.

Connectez l'appareil à une prise reliée à un circuit différent de celui auquel est connecté le récepteur.

Consultez votre revendeur ou un technicien radio/TV expérimenté pour assistance.

Toute modification non autorisée expressément par Bose Professional est susceptible d'annuler le droit de l'utilisateur à utiliser cet appareil.

Cet appareil est conforme à la partie 15 de la réglementation de la FCC et au(x) standard(s) RSS exempté(s) de licence d'ISED Canada.

Son fonctionnement repose sur les deux conditions suivantes : (1) cet appareil ne doit pas provoquer d'interférences et (2) cet appareil doit tolérer les interférences externes, y compris celles qui peuvent provoquer un fonctionnement anormal de cet appareil.

Règles de gestion relatives aux appareils à radiofréquences de faible puissance

Article XII : Conformément aux « Règles de gestion relatives aux appareils à radiofréquences de faible puissance », en l'absence d'autorisation de la NCC, les organisations, entreprises ou utilisateurs ne sont pas autorisés à modifier la fréquence, à améliorer la puissance de transmission ou à altérer les caractéristiques d'origine et les performances d'un appareil à radiofréquences de faible puissance approuvé.

Article XIV : Les appareils à radiofréquences de faible puissance ne doivent avoir aucune incidence sur la sécurité des avions ni provoquer d'interférences avec les communications légales ; dans le cas contraire, l'utilisateur devra immédiatement cesser d'utiliser l'appareil jusqu'à l'absence complète d'interférences. Par communications légales nous entendons les communications radio établies conformément au Telecommunications Act.

Les appareils à radiofréquences de faible puissance peuvent être sensibles aux interférences des communications légales ou aux appareils émettant des ondes radio ISM.

CE Bose Professional déclare que ce produit est conforme aux critères essentiels et autres dispositions de la directive 2014/53/UE et des autres directives européennes applicables. La déclaration de conformité complète est disponible à l'adresse suivante : www.Bose.com/compliance.

UK CA Ce produit est conforme à toutes les règles sur la comptabilité électromagnétique de 2016 applicables et à toutes les autres réglementations britanniques en vigueur. La déclaration de conformité complète est disponible à l'adresse suivante : www.Bose.com/compliance

Bose Professional déclare par la présente que ce produit est conforme aux exigences essentielles en vertu de la réglementation sur les équipements radio de 2017 et à toutes les réglementations britanniques en vigueur. La déclaration de conformité complète est disponible à l'adresse suivante : www.Bose.com/compliance

Lorsqu'il est utilisé dans la bande 5 150 - 5 250 MHz, cet appareil est destiné à une utilisation en intérieur afin de réduire les interférences potentiellement nuisibles avec les systèmes satellites mobiles qui partagent le même canal.

Pour l'Europe :

Bande de fréquences comprise entre 2 400 et 2 483,5 MHz :


Bluetooth® /Wi-Fi : puissance de transmission maximale inférieure à 20 dBm P.I.R.E.

Bluetooth faible énergie : densité spectrale de puissance maximale inférieure à 10 dBm/MHz P.I.R.E.

Bandes de fréquences comprises entre 5 150 et 5 350 MHz et entre 5 470 et 5 725 MHz :

Wi-Fi : puissance de transmission maximale inférieure à 20 dBm P.I.R.E.

Cet appareil est limité à une utilisation en intérieur lors d'une utilisation dans la bande de fréquences comprise entre 5 150 et 5350 MHz dans tous les États membres de l'UE répertoriés dans le tableau.

	BE	DK	IE	UK (NI)	FR	CY	SK	HU	AT	SE	BG	DE	PT	EL
	HR	LV	LT	MT	PL	CZ	EE	FI	ES	IT	RO	LU	NL	SI



Ce symbole signifie que le produit ne doit pas être jeté avec les déchets ménagers, mais doit être déposé dans un centre de collecte approprié pour recyclage. La mise au rebut adéquate et le recyclage permettent de protéger les ressources naturelles, la santé humaine et l'environnement. Pour plus d'informations sur l'élimination et le recyclage de ce produit, contactez votre mairie, votre service d'enlèvement des ordures ou le magasin où vous avez acheté ce produit.



Veillez à vous débarrasser de vos piles usagées conformément aux réglementations locales. Ne les incinerez pas.



Tableau des restrictions concernant les substances dangereuses en Chine

Noms et quantités des substances ou éléments toxiques ou dangereux						
Substances ou éléments toxiques ou dangereux						
Nom	Plomb (Pb)	Mercure (Hg)	Cadmium (Cd)	Chrome hexavalent (CR(VI))	Biphényle polybromé (PBB)	Éther de diphenyle polybromé (PBDE)
Polychlorobiphényles (PCB)	X	0	0	0	0	0
Pièces métalliques	X	0	0	0	0	0
Pièces en plastique	0	0	0	0	0	0
Enceintes	X	0	0	0	0	0
Câbles	X	0	0	0	0	0
Les données de ce tableau sont conformes aux dispositions de la norme SJ/T 11364.						
O : indique que la quantité de cette substance toxique ou dangereuse contenue dans tous les composants homogènes de cette pièce est inférieure à la limite définie dans la norme GB/T 26572.						
X : indique que la quantité de cette substance toxique ou dangereuse contenue dans au moins un des composants homogènes de cette pièce est supérieure à la limite définie dans GB/T 26572.						

Tableau des restrictions concernant les substances dangereuses à Taïwan

Nom de l'appareil : Bose Videobar VBI Désignation du type : 433869						
Substances réglementées et leurs symboles chimiques						
Élément	Plomb (Pb)	Mercure (Hg)	Cadmium (Cd)	Chrome hexavalent (Cr+6)	Biphényles polybromés (PBB)	Éthers de diphenyle polybromés (PBDE)
Polychlorobiphényles (PCB)	—	○	○	○	○	○
Pièces métalliques	—	○	○	○	○	○
Pièces en plastique	○	○	○	○	○	○
Enceintes	—	○	○	○	○	○
Câbles	—	○	○	○	○	○
Remarque 1 : « ○ » indique que le pourcentage de la substance réglementée ne dépasse pas le pourcentage de la valeur de référence de présence de cette substance.						
Remarque 2 : « — » indique l'absence de cette substance réglementée.						

Date de fabrication : le huitième chiffre du numéro de série indique l'année de fabrication ; par exemple, « 3 » correspond à 2013 ou à 2023.

Importateur pour la Chine : Bose Electronics (Shanghai) Company Limited, Level 6, Tower D, No. 2337 Gudai Rd. Minhang District, Shanghai 201100

Importateur pour l'UE : Bose Products B.V., Gorslaan 60, 1441 RG Purmerend, Pays-Bas.

Importateur pour le Mexique : Bose de México, S. de R.L. de C.V., Paseo de las Palmas 405-204, Lomas de Chapultepec, 11000 México, D.F. Numéro de téléphone : +5255 (5202) 3545.

Importateur pour Taïwan : Bose Taiwan Branch, 9F-A1, No. 10, Section 3, Minsheng East Road, Taipei City 104, Taïwan. Numéro de téléphone : +886-2-2514 7676.

Importateur pour le Royaume-Uni : Bose Limited, Bose House, Quayside Chatham Maritime, Chatham, Kent, ME4 4QZ, Royaume-Uni
Bose Corporation, Framingham, MA 01701, U.S.A. 1-877-230-5639

Tableau des états d'alimentation du produit

En vertu des exigences en matière d'écoconception de la directive 2009/125/CE relative aux produits liés à l'énergie, ce produit est conforme avec les normes ou documents suivants : Règlement (CE) n° 1275/2008, tel que modifié par le Règlement (UE) n° 801/2013.

Informations sur l'état d'alimentation requis	Modes d'alimentation	
	Veille	Veille en réseau
Consommation dans le mode d'alimentation spécifié, à une entrée de 230 V/50 Hz	≤ 0,5 W	Wi-Fi, Ethernet, <i>Bluetooth</i> ≤ 2,0 W
Délai au bout duquel l'équipement bascule automatiquement dans ce mode	≤ 2,5 heures	≤ 20 minutes
Consommation en mode veille en réseau si tous les ports réseau filaires sont connectés et tous les ports réseau sans fil sont activés, à une entrée de 230 V/50 Hz	≤ 2,0 W	≤ 2,0 W
Procédures de désactivation/d'activation du port réseau. La désactivation de tous les réseaux active le mode veille.	<p>Wi-Fi : pour le désactiver, restaurez les paramètres d'usine par défaut : maintenez simultanément enfoncés les boutons Home et Autoframe de la télécommande pendant 5 secondes, ou maintenez simultanément enfoncés les boutons Mute et <i>Bluetooth</i> sur le côté de l'appareil pendant 5 secondes. Pour l'activer, rendez-vous sur l'application Videobar Mobile.</p> <p>Ethernet : désactivez-le en débranchant le câble Ethernet. activez-le en branchant le câble Ethernet.</p> <p>Bluetooth : pour le désactiver, restaurez les paramètres d'usine par défaut : maintenez simultanément enfoncés les boutons Home et Autoframe de la télécommande pendant 5 secondes, ou maintenez simultanément enfoncés les boutons Mute et <i>Bluetooth</i> sur le côté de l'appareil pendant 5 secondes. Pour l'activer, associez une source <i>Bluetooth</i>.</p>	

Informations techniques sur l'alimentation externe

En vertu des exigences en matière d'écoconception de la directive 2009/125/CE relative aux produits liés à l'énergie, l'alimentation externe fournie avec ce produit est conforme avec les normes ou documents suivants : Règlement (UE) 2019/1782 de la Commission.

Fabricant	Bose Products B.V.
Numéro d'identification commerciale	36037901
Adresse	Gorslaan 60 1441 RG Purmerend The Netherlands
Identifiant du modèle	DT24V-1.8C-DC
Tension d'entrée	100 V–240 V
Fréquence tension d'entrée	50 Hz/60 Hz
Tension de sortie	24 VDC
Courant de sortie	1,9 A
Puissance de sortie	45 W
Efficacité active moyenne	89,9 %
Efficacité sur charge faible (10 %)	87,0 %
Consommation électrique hors charge	0,07 W

Informations juridiques et sur les licences

Bose est une marque commerciale de Bose Corporation.

Videobar est une marque commerciale de Transom Post OpCo LLC.



DisplayLink® est la marque déposée de DisplayLink Corp. dans l'Union européenne, aux États-Unis et dans d'autres pays.



Les termes HDMI et HDMI High-Definition Multimedia Interface (Interface multimédia haute définition) ainsi que le logo HDMI, sont des marques commerciales ou des marques déposées de HDMI Licensing Administrator, Inc.

Android et Google Play sont des marques de Google LLC.

L'appellation et les logos *Bluetooth®* sont des marques déposées de Bluetooth SIG, Inc., utilisées sous licence par Bose Professional.

macOS est une marque commerciale d'Apple Inc.

USB Type-C® et USB-C® sont des marques commerciales déposées de l'USB Implementers Forum et ne doivent être utilisées qu'avec des produits conçus selon les spécifications du câble et du connecteur USB Type-C®.

Wi-Fi est une marque déposée de Wi-Fi Alliance®.

Toutes les autres marques commerciales appartiennent à leurs propriétaires respectifs.

Pour afficher les déclarations de licence qui s'appliquent aux progiciels tiers fournis comme composants avec la Videobar VB1 :

Videobar VB1 : téléchargez et ouvrez l'application mobile **Videobar Mobile**, appuyez sur l'icône **Settings**, puis appuyez sur **End User License Agreement**.

Application Videobar Mobile : appuyez sur l'icône **Settings**, puis appuyez sur **End User License Agreement**.

Application ou interface utilisateur Web Videobar Configuration : cliquez sur l'icône **Settings**, puis cliquez sur **End User License Agreement**.

Application Videobar Administration : cliquez sur le menu (☰), cliquez sur **About Videobar Administration**, puis cliquez sur **End User License Agreement**.

La politique de confidentialité de Bose Professional est disponible sur le site [boseprofessional.com](https://www.boseprofessional.com).

©2023 Transom Post OpCo LLC. Toute reproduction, modification, distribution ou autre utilisation, même partielle, de ce document est interdite sans autorisation écrite préalable.

Renseignements à noter et conserver.

Le numéro de série et le numéro de modèle sont indiqués au niveau du panneau arrière du produit.

Numéro de série : _____

Numéro de modèle : _____

Informations relatives à la garantie

Cet appareil est couvert par une garantie limitée.

Pour en savoir plus sur la garantie, consultez la page [boseprofessional.com/warranty](https://www.boseprofessional.com/warranty).

CONTENU DE L'EMBALLAGE

Sommaire	10
----------------	----

CONFIGURATION

Instructions générales de montage	12
Montage de la VB1 sur une table, une étagère ou une crédence.....	13
Montage mural de la VB1	14
Cache caméra.....	19
Branchement des câbles.....	20
Câblage.....	21

APPLICATIONS LOGICIELLES

Application et interface utilisateur Web Videobar Configuration.....	24
Application Videobar Administration	26
Application Videobar Mobile.....	26

CARACTÉRISTIQUES DU PRODUIT

Panneaux.....	27
Panneau avant.....	27
Panneau latéral	28
Panneau arrière	29
Télécommande.....	30
Barre lumineuse.....	31

UTILISATION

Démarrage d'une réunion.....	34
Réglage de la caméra.....	35
Réinitialisation de la caméra.....	35
Modification des angles de panoramique et d'inclinaison	35
Réglage du facteur de zoom.....	36
Enregistrement et rappel d'un préenregistrement.....	36
Activation/désactivation de la fonction Autoframe (cadrage automatique).....	37
Gestion des niveaux audio	38
Lecture audio locale.....	38
Son de la réunion.....	38
Réglage des niveaux audio.....	38
Gestion des appareils Bluetooth.....	39
Appairage d'un appareil Bluetooth à la VB1	39
Déconnexion d'un appareil Bluetooth de la VB1	39
Modes basse consommation.....	40

ENTRETIEN

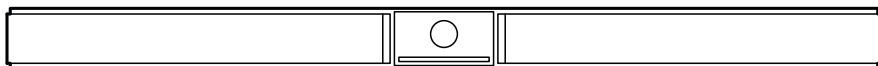
Nettoyage de la VB1	41
Pièces de rechange et accessoires	41
Garantie limitée.....	41
Emplacement du numéro de série.....	41
Restauration des paramètres d'usine par défaut	42
Mot de passe oublié.....	42
Mise à jour du logiciel.....	42

DÉPANNAGE

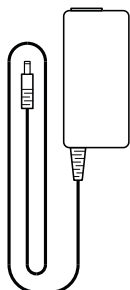
Essayez d'abord les solutions suivantes.....	43
--	----

CONTENU DE L'EMBALLAGE

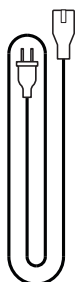
Sommaire



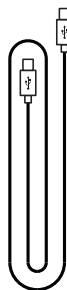
Videobar VB1



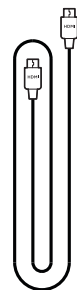
Alimentation



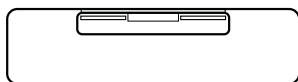
Cordon
d'alimentation



Câble USB Type-C®

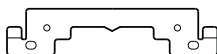


Câble HDMI



Pied de table

A  Vis pour pied de table (2)



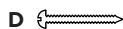
Support mural



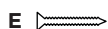
B Grand ancrage mural pour cloison sèche (4)



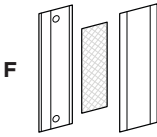
C Goupille pour cloison sèche



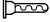
D Vis à tête cylindrique (2)



E Vis à tête plate (2)




F

G  Petit ancrage mural pour cloison sèche (2)

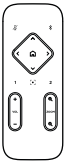
H  Petite vis à tête plate (2)



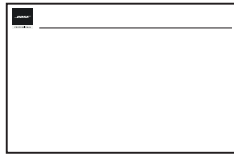
I

J  Petit ancrage mural pour cloison sèche

K  Petite vis à tête plate



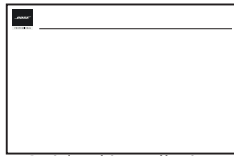
Télécommande



Guide de démarrage rapide



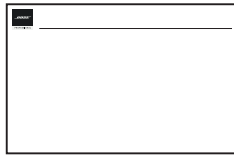
Piles AAA/LR03 (2)



Guide d'installation pour une fixation sur table



Cache caméra



Guide d'installation pour une fixation au mur



Adaptateur USB-C vers USB-A



Connecteur Euroblock à 2 broches



Consignes de sécurité

CONFIGURATION

Instructions générales de montage

Lorsque vous utilisez la VB1, veillez à ne pas la poser sur sa face avant ou arrière, ou à l'envers.

Veillez à ne PAS placer d'objets sur la VB1.

Évitez de placer la VB1 près de sorties de climatiseurs, de ventilateurs, de radiateurs ou d'autres sources de bruit ou de vibrations.

Pour éviter les interférences hertziennes, éloignez tout autre appareil sans fil de **0,3 à 0,9 m** de la VB1. Placez la VB1 à l'écart d'étagères métalliques, d'autres appareils audio/vidéo et des sources de chaleur directe.

Veillez à ce qu'une prise secteur se trouve à proximité.

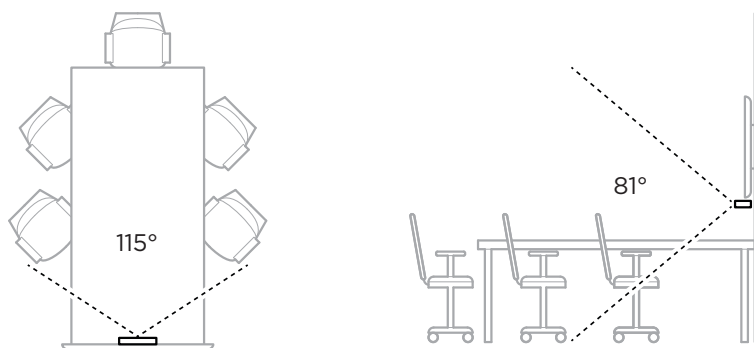
Placez la VB1 directement en dessous (recommandé) ou au-dessus de votre téléviseur en positionnant la grille face à la pièce.

Pour obtenir une qualité sonore optimale, veillez à NE PAS placer la VB1 dans un meuble fermé ou en diagonale dans un angle.

Vérifiez que la zone où tous les participants à la réunion seront assis se trouve dans le champ de vision de la caméra. Tous les participants à la réunion doivent se trouver dans le champ de vision pour assurer le bon fonctionnement du cadrage automatique (voir **Activation/désactivation de la fonction Autoframe (cadrage automatique) (Page 37)**).

Le champ de vision de la caméra de la VB1 est de 115° en horizontal, 81° en vertical.

Vérifiez le bon éclairage de la salle de réunion pendant la réunion.

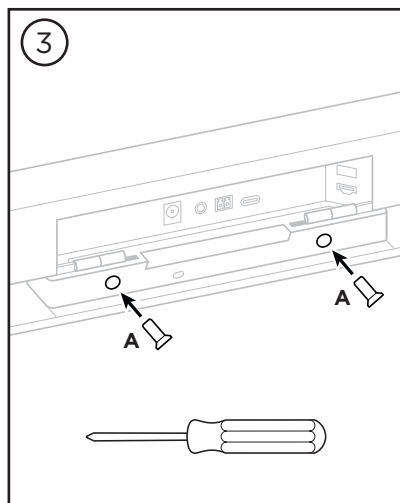
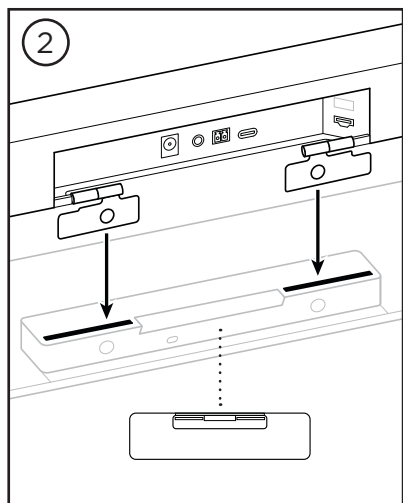
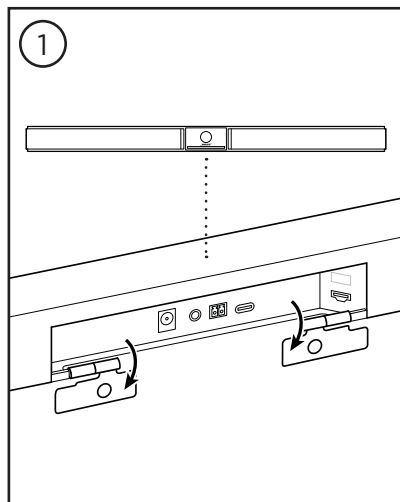
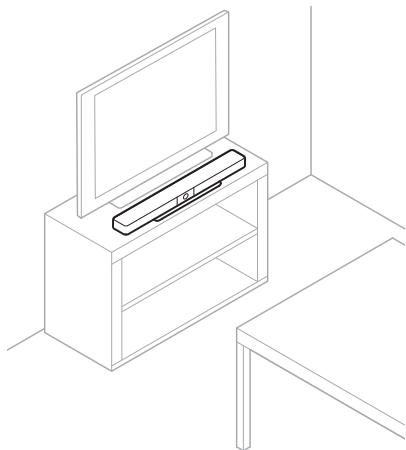


Montage de la VB1 sur une table, une étagère ou une crédence

Pour obtenir des performances optimales lorsque vous montez la VB1 sur une table, une étagère ou une crédence, veuillez suivre ces recommandations :

Installez la VB1 sur le pied de table, que vous poserez sur une surface stable et plane.

Placez l'avant de la VB1 de façon à ce que la surface sur laquelle elle est posée ne soit pas visible dans l'image de la caméra. Vérifiez le bon éclairage de la salle de réunion pendant la réunion.



Montage mural de la VB1

Pour obtenir des performances optimales, suivez ces recommandations si vous montez la VB1 sur un mur :

Pour déterminer l'endroit où fixer le support mural, vérifiez qu'il y a suffisamment de place autour du support pour accueillir la VB1 :

Il doit rester au moins **3,8 cm** au-dessus du support mural. Cet espace libre vous permettra d'y « suspendre » la VB1 (Étape 7) et de régler son angle d'inclinaison. Il vous permettra également d'accéder aux connexions du panneau arrière de la VB1.

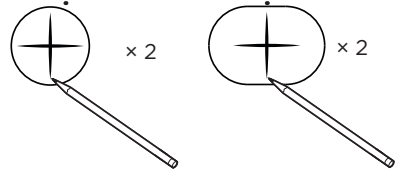
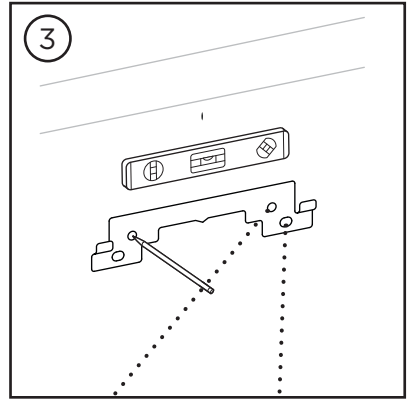
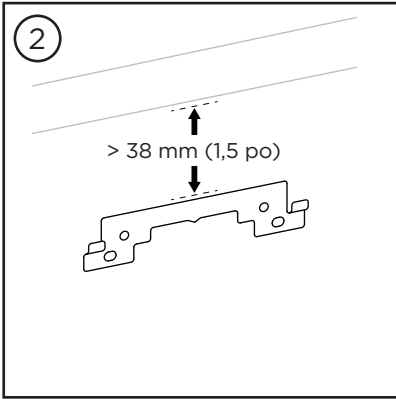
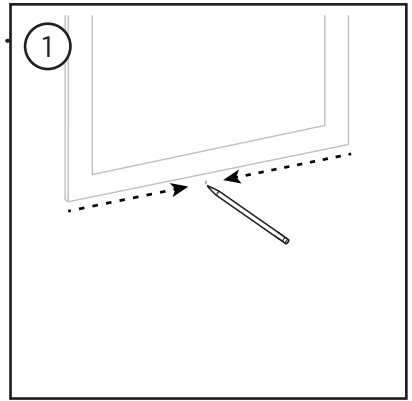
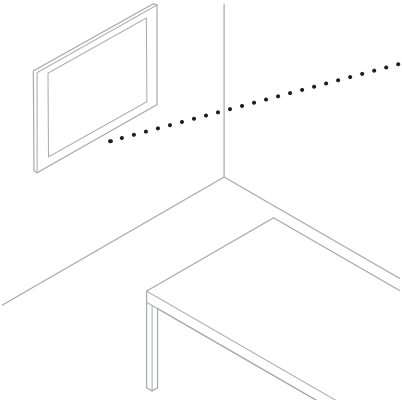
Il doit rester au moins **11,4 cm** en dessous du support mural. Cet espace libre vous permettra de disposer la VB1 à la verticale pendant l'installation, pour l'insertion des câbles et pour régler son angle.

L'espace libre doit être au minimum de **73,7 cm** en largeur – avec le support mural au centre. Il est nécessaire pour accueillir la VB1 plus l'espace nécessaire pour accéder à l'évent acoustique et aux boutons sur les deux côtés de la VB1 (il devrait y avoir **2,5 cm** de chaque côté).

Utilisez uniquement les accessoires suivants pour monter ce produit.

Remarque : des outils supplémentaires sont nécessaires.

Remarque : avant de continuer, lisez les Consignes de sécurité importantes fournies.



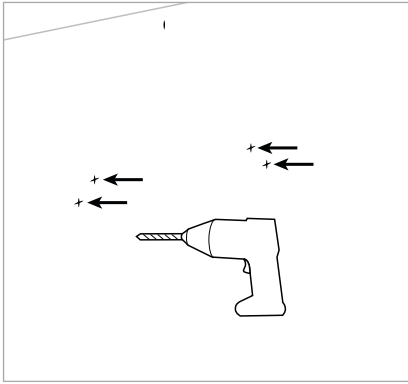
4

AVERTISSEMENTS :



N'installez pas l'appareil sur des surfaces peu résistantes ou dans lesquelles peuvent être intégrés des fils électriques ou des tuyaux de plomberie. En cas d'incertitudes, veuillez contacter un installateur professionnel.

Le matériel fourni ne convient pas aux surfaces de maçonnerie.

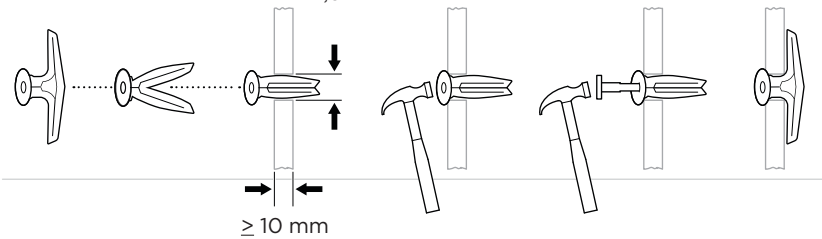


Cloison en plâtre
7,9 mm

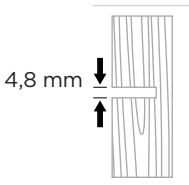
**Montant en bois/
montant en métal**
4,8 mm

Cloison en plâtre

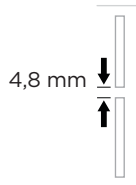
7,9 mm

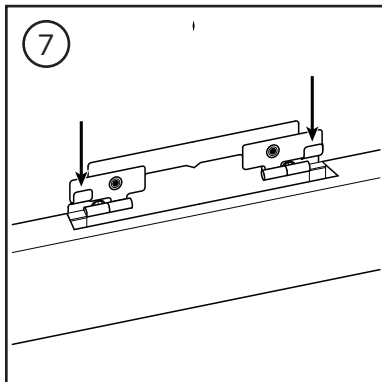
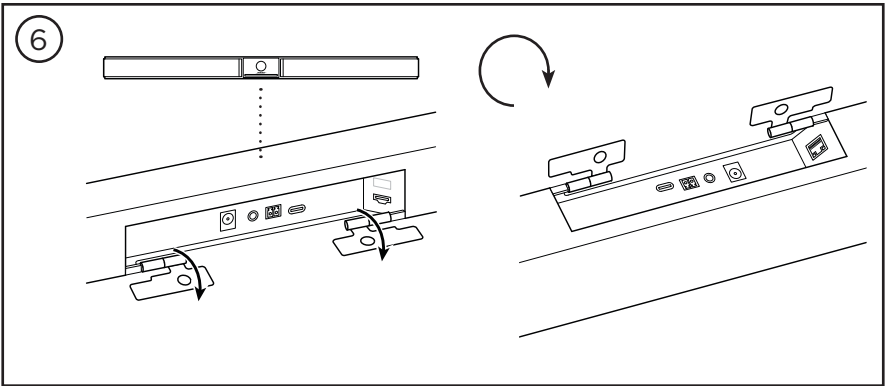
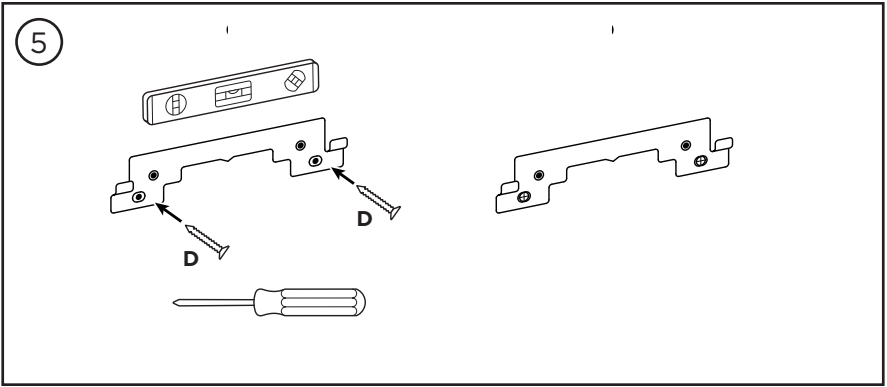


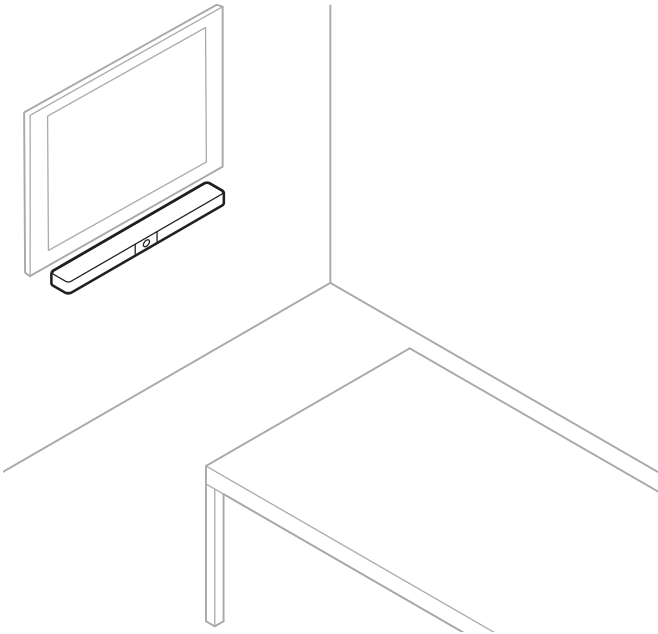
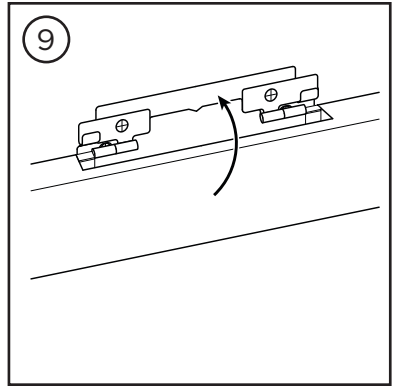
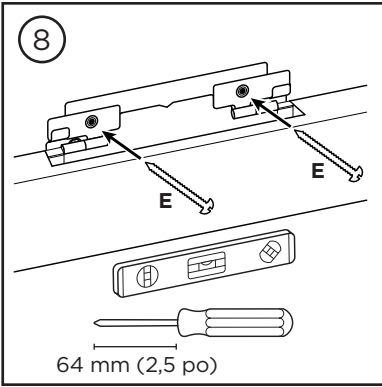
Montant en bois



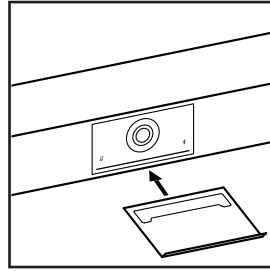
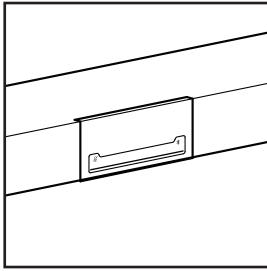
Montant en métal







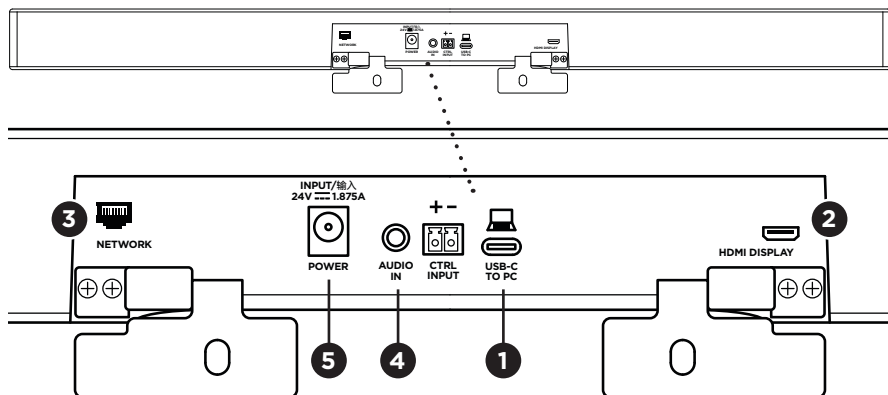
Cache caméra



Le cache caméra fourni vous permet de masquer complètement le champ de vision de la caméra en laissant visibles les indicateurs et la barre lumineuse.

Magnétique, le cache reste en place lorsqu'il est monté devant l'objectif de la VB1 comme illustré. Pour le rangement, lorsqu'il n'est pas utilisé, fixez le cache sur la surface située en dessous de l'objectif.

Branchement des câbles



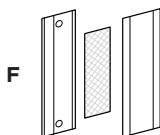
1. Connectez le câble USB-C® fourni au port **USB-C**.
Laissez l'autre extrémité de ce câble sur la table, pour que l'hôte de la réunion puisse brancher ou débrancher facilement son ordinateur à chaque réunion.
Remarque : si l'ordinateur utilisé pour la réunion ne possède que des ports de type USB-A, insérez l'adaptateur USB-C vers USB-A fourni côté ordinateur.
2. **Facultatif** : utilisez le câble HDMI fourni pour connecter l'**HDMI Display** à un des ports HDMI d'un écran ou d'un moniteur vidéo.
Remarque : la version la plus récente du pilote DisplayLink® doit être installée sur l'ordinateur hôte et la barre VB1 doit être activée en mode DisplayLink (il est désactivé par défaut) pour que la sortie HDMI fonctionne. Rendez-vous sur displaylink.com/downloads pour télécharger ce pilote. Pour activer ou désactiver le mode DisplayLink, utilisez l'application Videobar Configuration, l'interface utilisateur Web ou l'application Videobar Administration (voir **Applications logicielles (Page 23)**).
3. **Facultatif** : si vous utilisez la VB1 dans un réseau, utilisez un câble de type Cat 5 (non fourni) pour relier le port **Network** à un autre port réseau, de type LAN, à un commutateur réseau, etc.
4. **Facultatif** : pour écouter le signal audio provenant d'une sortie audio analogique auxiliaire de l'écran, connectez un câble doté de jacks 3,5 mm (1/8 po) stéréo (non fourni) au jack **Audio In**.
Affectation des broches :
 1. Pointe (T) = entrée canal audio gauche
 2. Anneau (R) = entrée canal audio droit
 3. Corps (S)/Anneau (R) 2 = masse
5. Connectez l'alimentation secteur fournie à l'entrée **Power**.
6. Utilisez le câble secteur fourni pour brancher l'alimentation secteur à une prise murale. La VB1 s'allume automatiquement dès qu'elle est reliée à une source d'alimentation.

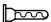
Il existe plusieurs applications logicielles permettant de configurer la Videobar VB1 pour obtenir des performances optimales. Voir **Applications logicielles (Page 23)** pour plus d'informations.

Si vous avez besoin d'une rallonge USB, rendez-vous sur boseprofessional.com/VB1 pour obtenir une liste de dispositifs de rallonge USB recommandés pour une utilisation avec la VB1.

Câblage

Le cache de passage de câble fourni permet de maintenir en place les câbles permanents contre le mur.



G  Petit ancrage mural pour cloison sèche (2)

H  Petite vis à tête plate (2)


Pour mettre en place le cache de passage de câble :

1. Positionnez et maintenez en place l'arrière du cache de passage de câble (**F**) (la pièce avec les trous de passage de vis) à l'emplacement désiré sur le mur.
2. Marquez sur le mur le centre des deux trous pour les vis, puis enlevez le cache de passage de câble.
3. Si la partie du mur envisagée pour la fixation possède un montant derrière elle, percez deux trous de diamètre **2,4 mm** dans le mur.

Si la partie du mur envisagée pour la fixation ne possède pas de montant derrière elle, percez deux trous de diamètre **5 mm** dans le mur.

4. Si la partie du mur envisagée pour la fixation ne possède pas de montant derrière elle, introduisez les deux petits ancrages muraux pour cloison sèche (**G**) dans le mur.
5. Alignez l'arrière du cache de passage de câble (**F**) sur les trous percés pour les vis.
6. Vissez les deux petites vis à tête plate (**H**) dans la partie arrière du cache de passage de câble afin de le fixer au mur.
7. Rassemblez les câbles et faites-les passer le long du « guide » de l'arrière du cache de passage de câble (fixé au mur).
8. Enlevez la bande adhésive de la mousse du cache de passage de câble (**F**).
9. Placez la bande de mousse, en appuyant bien dessus, à l'arrière du cache de passage de câble, près des câbles rassemblés.
10. Placez l'avant du cache de passage de câble (**F**) au-dessus des câbles rassemblés et de la mousse, de façon à ce qu'il adhère.



J  Petit ancrage mural pour cloison sèche

K  Petite vis à tête plate

Pour fixer le cordon d'alimentation au mur :

1. Identifiez l'endroit du mur où vous désirez fixer le cordon secteur.
2. Percez un trou pour la vis dans le mur.
3. Si cette partie du mur possède un montant derrière elle, percez un trou de diamètre **2,4 mm** dans le mur.
Si cette partie du mur ne possède pas de montant derrière elle, percez un trou de diamètre **5 mm** dans le mur.
4. Si cette partie du mur ne possède pas de montant derrière elle, introduisez le petit ancrage mural pour cloison sèche (**J**) dans le mur.
5. Alignez l'œillet de l'attache de câble (**I**) sur le trou pour la vis.
6. Faites passer la petite vis à tête plate (**H**) par l'œillet de l'attache de câble afin de la fixer au mur.

APPLICATIONS LOGICIELLES

Trois applications logicielles permettent de configurer la Videobar VB1 :

Utilisez le logiciel Videobar Configuration, disponible pour Windows et macOS ou via un navigateur Web, pour l'installation et la configuration des appareils.

Caractéristiques :

Contrôle de la caméra : panoramique, inclinaison, zoom, préséglages et cadrage automatique

Administration et configuration protégées par mot de passe

Installation des mises à jour de firmware, création et application de profils de configuration, activation/désactivation de la sortie HDMI (DisplayLink), paramétrage réseau, gestion du *Bluetooth*, paramètres avancés pour la caméra, etc.

Avertissement lorsqu'une mise à jour logicielle de l'appareil Videobar est disponible

Disponible pour Windows et macOS ou via un navigateur Web, qui fournit toutes les fonctionnalités du logiciel de bureau via une connexion réseau

Vous pouvez également utiliser le logiciel Videobar Administration pour la gestion à distance de modifications sur un seul ou plusieurs appareils à l'échelle de l'entreprise, et pour visualiser l'état des appareils en temps réel.

Caractéristiques :

Consultez l'état de l'appareil et contrôlez les fonctions critiques de toutes vos barres de son Bose Professional Videobar à partir d'un seul endroit

Programmez des mises à jour de firmware pour tous les appareils ou uniquement pour certains

Affichez, modifiez et enregistrez les paramètres par appareil ou groupe d'appareils

Détectez tous les appareils du réseau ; créez, enregistrez et appliquez des profils d'appareils

Disponible pour Windows

L'application mobile Videobar Mobile permet à n'importe quelle personne présente dans la salle de contrôler la Videobar VB1 depuis son smartphone : réglage du volume, mode silencieux, panoramique, inclinaison, zoom, préséglages de zoom et appairage *Bluetooth*.

Caractéristiques :

Contrôle en temps réel du volume, du mode silencieux, du panoramique, de l'inclinaison, du zoom, des préséglages de zoom et de l'appairage *Bluetooth* depuis votre appareil mobile

Utilise l'appairage *Bluetooth* pour détecter et communiquer avec la Videobar VB1

Disponible pour iOS et Android

Application et interface utilisateur Web Videobar Configuration

Pour télécharger et installer l'application Videobar Configuration sur votre ordinateur :

1. Sur votre ordinateur, visitez la page **boseprofessional.com/VB1**.
2. Téléchargez et installez l'application **Videobar Configuration Software**.

Pour accéder à l'application Videobar Configuration et l'utiliser pour configurer la VB1 :

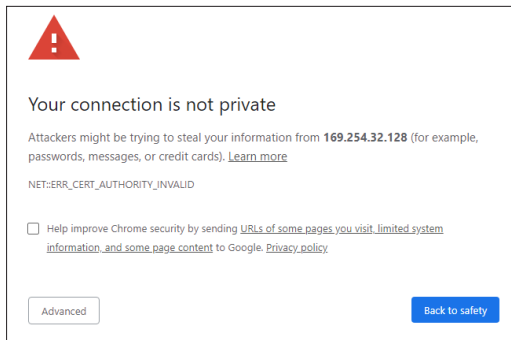
1. Connectez votre ordinateur au port **USB-C** de la VB1.
2. Lancez l'application **Videobar Configuration**.
3. Pour accéder aux réglages de configuration d'administrateur afin de configurer la VB1, dans le panneau de navigation, cliquez sur l'icône **Administrator** et entrez le mot de passe d'usine par défaut : **Bose123!**

Remarque : nous vous recommandons de modifier le mot de passe après ce premier accès.

Pour accéder à l'interface utilisateur Web Videobar Configuration en passant par votre navigateur, et ce, afin de configurer la VB1 via une connexion réseau :

1. Connectez votre ordinateur et la VB1 au même réseau.
2. Entrez l'adresse IP de la VB1 dans la barre d'adresse d'un navigateur Web sur votre ordinateur, puis appuyez sur **Enter**. (Pour déterminer l'adresse IP de la VB1, vous pouvez utiliser l'application Videobar Configuration via USB ou utiliser l'application Videobar Administration, qui détecte automatiquement les VB1 présentes sur le réseau.) L'interface utilisateur Web Videobar Configuration s'ouvre.

Remarque : sur certains navigateurs, le message de sécurité suivant peut apparaître :



C'est normal et ne pose aucun problème de sécurité. Cliquez sur **Advanced**. (Si vous avez le moindre doute sur une opération à effectuer sur votre ordinateur, dans le navigateur Web ou ailleurs, consultez au préalable votre administrateur système/responsable informatique.)

Vous pouvez ensuite recevoir un message de suivi :

This server could not prove that it is **169.254.32.128**; its security certificate is not trusted by your computer's operating system. This may be caused by a misconfiguration or an attacker intercepting your connection.

[Proceed to 169.254.32.128 \(unsafe\)](#)

C'est également normal. Cliquez sur le lien **Proceed to...** pour accéder à la page de connexion à l'application Videobar Configuration via interface utilisateur Web.

Le mot de passe administrateur d'usine par défaut est : **Bose123!**

Remarque : nous vous recommandons de modifier le mot de passe après ce premier accès.

Pour accéder au fichier d'aide pour l'application Videobar Configuration et sa version via interface utilisateur Web, reportez-vous à la page **Settings** dans l'application ou l'interface utilisateur Web.

Application Videobar Administration

Pour télécharger le logiciel Videobar Administration :

1. Sur votre ordinateur, visitez la page **boseprofessional.com/VB1**.
2. Téléchargez et installez l'application **Videobar Administration**.

Pour accéder à l'application Videobar Administration et l'utiliser pour configurer une ou plusieurs barres de son VB1 via une connexion réseau :

1. Connectez votre ordinateur et chaque VB1 au même réseau.
2. Lancez l'application **Videobar Administration**.

Pour accéder au fichier d'aide pour l'application Videobar Administration, reportez-vous à la page **About Videobar Administration** dans l'application.

Application Videobar Mobile

L'application Videobar Mobile apporte à votre appareil mobile des fonctions de contrôle à distance, équivalentes à celles d'une télécommande infrarouge. Pour télécharger l'application Videobar Mobile :

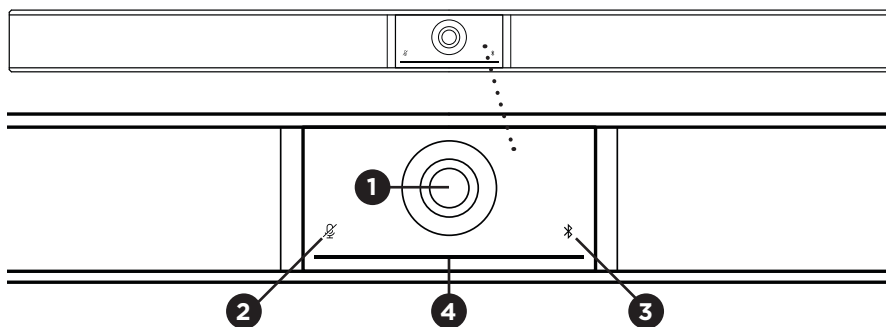
1. Recherchez et téléchargez l'application **Videobar Mobile** sur l'App StoreSM ou sur Google PlayTM.
2. Lancez l'application sur votre appareil mobile et activez la localisation.
3. Sur votre appareil mobile, connectez-vous à **Videobar VB1**.

Pour accéder au fichier d'aide pour l'application Videobar Mobile, reportez-vous à la page **Settings** dans l'application.

CARACTÉRISTIQUES DU PRODUIT

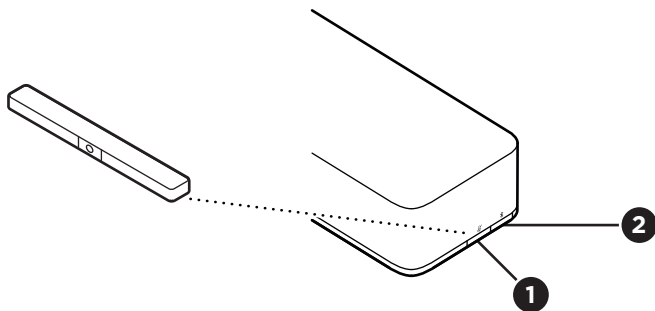
Panneaux

Panneau avant



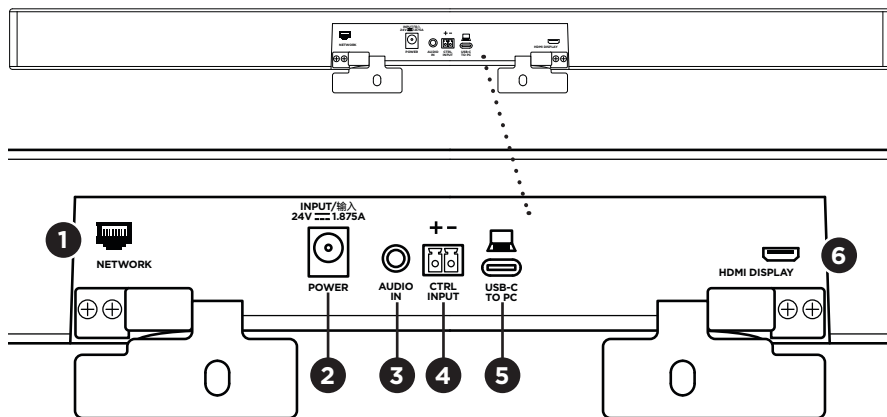
1. **Caméra**
2. **Indicateur Mute** : cet indicateur s'allume en rouge lorsque les microphones sont coupés.
3. **Voyant Bluetooth** : ce voyant indique l'état de la connectivité *Bluetooth* de la VB1 :
 - Clignotement bleu lent** : la VB1 est disponible pour appairage à un appareil mobile *Bluetooth*.
 - Blanc fixe** : la VB1 est connectée à l'application Videobar Mobile ou à un appareil mobile ; elle peut ainsi diffuser le son d'appels ou d'autres sources multimédias.
 - Éteint** : pas de connectivité *Bluetooth*.
4. **Barre lumineuse** : voir **Barre lumineuse (Page 31)** pour en savoir plus.

Panneau latéral



1. **Bouton de coupure du son** : appuyez sur ce bouton pour désactiver ou activer le son des microphones de la VB1.
2. **Bouton Bluetooth** : maintenez enfoncé ce bouton pour entrer en mode d'appairage.

Panneau arrière



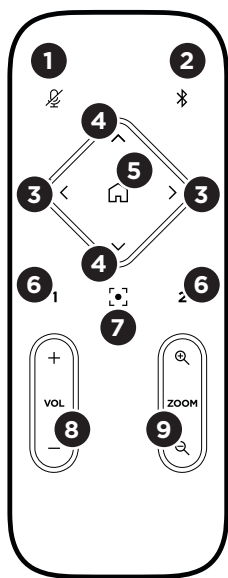
1. **Réseau** : ce port RJ45, d'un débit de 1 Gbit/s, sert à la configuration et/ou au suivi de la VB1. (Ce port se trouve sur le côté intérieur du panneau arrière.)
2. **Power** : ce connecteur se branche sur l'alimentation secteur fournie.
3. **Audio In** : utilisez un câble doté de jacks 3,5 mm (1/8 po) stéréo (non livré) pour effectuer la connexion à une source audio optionnelle, par exemple la sortie audio d'un moniteur ou écran connecté.
4. **Ctrl Input** : ce port, qui utilise un connecteur Euroblock à 2 broches, sert au contrôle de coupure du son (Mute override). Par défaut, cette entrée est active pour un niveau bas, et intègre une résistance de rappel interne.
5. **Port USB-C** : connectez ce port à l'ordinateur utilisé pour la réunion.
6. **HDMI Display** : connectez ce port à un écran avec le câble HDMI fourni. (Ce port se trouve sur le côté intérieur du panneau arrière.)

Remarque : la version la plus récente du pilote DisplayLink® doit être installée sur l'ordinateur hôte et la barre VB1 doit être activée en mode DisplayLink (il est désactivé par défaut) pour que la sortie HDMI fonctionne. Rendez-vous sur displaylink.com/downloads pour télécharger ce pilote. Pour activer ou désactiver le mode DisplayLink, utilisez l'application Videobar Configuration, l'interface utilisateur Web ou l'application Videobar Administration (voir **Applications logicielles (Page 23)**).

Télécommande

La Videobar VB1 s'accompagne d'une télécommande infrarouge qui permet de régler les paramètres de caméra et de volume, de couper les microphones et d'activer le mode d'appairage *Bluetooth* de la VB1.

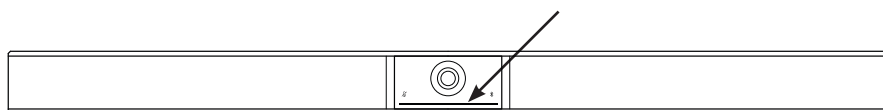
Remarque : toutes ces fonctions de contrôle sont également disponibles dans les applications logicielles permettant de configurer la Videobar VB1. Voir **Applications logicielles (Page 23)** pour plus d'informations.



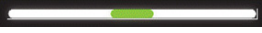












1. **Coupure du son :** désactive/Active les microphones de la VB1.
2. **Bluetooth :** maintenez ce bouton enfoncé pendant 3 secondes pour activer le mode d'appairage. Si la barre est déjà appairée à un appareil, maintenez enfoncé le bouton pour mettre fin à cette connexion.
3. **Camera Pan (Panoramique) :** appuyez sur l'un de ces boutons pour panoramiquer vers la gauche ou vers la droite (< ou >), ou maintenez-la enfoncée pour un réglage continu.
4. **Camera Tilt (Inclinaison) :** appuyez sur l'un de ces boutons pour incliner (Tilt) la caméra vers le haut ou le bas (▲ ou ▼), ou maintenez-la enfoncée pour un réglage continu.
5. **Home Preset (Préréglage initial) :** appuyez sur ce bouton pour rétablir les valeurs par défaut des paramètres Pan, Tilt et Zoom (PTZ) pour la caméra. La position Home (initiale) peut être modifiée dans l'application Videobar Configuration.
6. **Préréglages 1 et 2 :** appuyez pour sélectionner le préréglage 1 ou 2 pour la caméra. Maintenez le bouton enfoncé pour enregistrer les valeurs actuelles de Pan, Tilt et Zoom (PTZ) de la caméra en tant que préréglage 1 ou 2.
7. **Autoframe (cadrage automatique) :** ce bouton permet d'activer/désactiver la fonction de cadrage automatique. Lorsqu'elle est activée, les paramètres Pan, Tilt et Zoom (PTZ) de la caméra s'ajustent automatiquement de façon à ce que tous les participants se trouvent en permanence dans le champ de vision.
8. **Volume :** augmente ou diminue le volume (+ ou -).
9. **Zoom caméra :** augmente ou diminue (+ ou -) le rapport de zoom de la caméra.




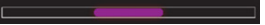
Barre lumineuse

La barre lumineuse se trouve sous la caméra de la VB1.



Apparence	Activité	État du système
	Une petite section d'indicateurs, au centre de la barre lumineuse, est allumée en blanc fixe.	La barre est sous tension et « réveillée ».
	Tous les indicateurs sont allumés en blanc fixe.	La réunion est active. La caméra est éteinte.
	L'indicateur central est allumé en vert fixe, les indicateurs situés de part et d'autre sont allumés en blanc fixe.	La réunion est active. La caméra est allumée, mais la fonction Autoframe (cadrage automatique) n'est pas activée.
	Une petite section d'indicateurs, au centre de la barre lumineuse, est allumée en vert fixe. Les indicateurs situés de part et d'autre sont allumés en blanc fixe.	La réunion est active. La caméra est allumée, et la fonction Autoframe (cadrage automatique) est activée.
	Une petite section d'indicateurs, au centre de la barre lumineuse, est allumée en vert fixe. Les indicateurs situés de part et d'autre sont éteints.	La caméra est allumée. Pas de réunion active.
	L'indicateur le plus à gauche de la barre lumineuse clignote une fois (blanc s'il n'y a pas d'appel actif ; éteint s'il y a un appel actif).	Le volume a été diminué d'un cran.

Apparence	Activité	État du système
	L'indicateur le plus à droite de la barre lumineuse clignote une fois (blanc s'il n'y a pas d'appel actif ; éteint s'il y a un appel actif).	Le volume a été augmenté d'un cran.
	Une petite section d'indicateurs, le plus à gauche de la barre lumineuse, clignote une fois (blanc s'il n'y a pas d'appel actif ; éteint s'il y a un appel actif).	Le volume a été réglé à son niveau le plus bas.
	Une petite section d'indicateurs, le plus à droite de la barre lumineuse, clignote une fois (blanc s'il n'y a pas d'appel actif ; éteint s'il y a un appel actif).	Le volume a été réglé à son niveau le plus élevé.
	Une petite section d'indicateurs, au centre de la barre lumineuse, clignote rapidement en blanc.	La VB1 est à la recherche d'un réseau Wi-Fi.
	Une petite section d'indicateurs, au centre de la barre lumineuse, s'allume une seule fois en blanc puis s'éteint.	La VB1 s'est connectée à un réseau Wi-Fi. Cela signifie aussi que la VB1 a détecté une nouvelle source audio connectée au port USB hôte ou à l'entrée audio.
	Une petite section d'indicateurs, au centre de la barre lumineuse, s'allume en rouge fixe.	La VB1 ne fonctionne pas correctement à cause d'un problème de firmware ou de logiciel. Veuillez contacter l'assistance technique de Bose Professional.
	Une petite section d'indicateurs, au centre de la barre lumineuse, clignote en ambre.	La VB1 ne fonctionne pas correctement à cause d'un problème de branchement. Assurez-vous que la VB1 est connectée à un réseau.

Apparence	Activité	État du système
	<p>Des indicateurs blancs se déplacent de façon répétée entre les extrémités droite et gauche.</p>	<p>La VB1 est en cours de téléchargement et d'installation d'une mise à jour de firmware. Ne débranchez pas la VB1 du secteur ni du réseau. Une fois la mise à jour terminée, la barre lumineuse cesse de bouger, et la VB1 émet un son.</p>
	<p>Une petite section d'indicateurs, au centre de la barre lumineuse, clignote plusieurs fois en blanc. Les indicateurs s'allument ensuite de l'extérieur vers le centre, jusqu'à ce que toute la barre s'allume en blanc fixe. Les indicateurs s'éteignent de la même façon.</p>	<p>La VB1 redémarre après restauration de ses paramètres d'usine par défaut.</p>
	<p>Une petite section d'indicateurs, au centre de la barre lumineuse, clignote plusieurs fois en blanc.</p>	<p>La VB1 redémarre après une interruption de son alimentation.</p>
	<p>Une petite section d'indicateurs, au centre de la barre lumineuse, clignote en violet à plusieurs reprises.</p>	<p>L'application Videobar Administration envoie un message d'identification d'appareil à la VB1.</p>

UTILISATION

Démarrage d'une réunion

Remarque : la version la plus récente du pilote DisplayLink® doit être installée sur l'ordinateur hôte et la barre VB1 doit être activée en mode DisplayLink (il est désactivé par défaut) pour que la sortie HDMI fonctionne. Rendez-vous sur displaylink.com/downloads pour télécharger ce pilote. Pour activer ou désactiver le mode DisplayLink, utilisez l'application Videobar Configuration, l'interface utilisateur Web ou l'application Videobar Administration (voir **Applications logicielles (Page 23)**).

Pour démarrer une réunion utilisant la VB1 :

1. Connectez le câble USB fourni entre la VB1 et votre ordinateur. Si nécessaire, utilisez l'adaptateur USB-C vers USB-A fourni.
2. Démarrez la réunion dans votre logiciel de réunion préféré.
3. Dans votre logiciel, dans les paramètres de l'appareil utilisé, sélectionnez **Videobar VB1** pour le microphone, les haut-parleurs et la caméra.

Pour passer un appel en utilisant le VB1 en téléphone mains libres :

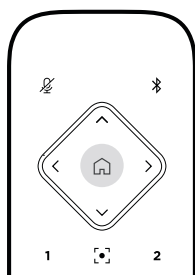
1. Appuyez sur le bouton **Bluetooth** sur le côté de la VB1 (ou maintenez enfoncé le bouton *Bluetooth* de la télécommande pendant 3 secondes) pour activer le mode d'appairage de la VB1.
2. Sur votre téléphone mobile, lancez une recherche des appareils *Bluetooth* disponibles et sélectionnez la VB1.
3. Passez un appel depuis votre téléphone mobile. Les signaux audio sont automatiquement transférés de votre appareil mobile vers les haut-parleurs et les microphones de la VB1.

Réglage de la caméra

Remarque : toutes ces fonctions de contrôle sont également disponibles dans les applications logicielles permettant de configurer la Videobar VB1. Voir **Applications logicielles (Page 23)** pour plus d'informations.

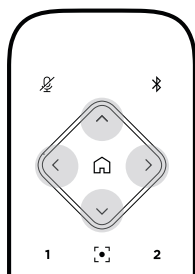
Conseil : pour apporter des modifications simples et rapides aux réglages de la caméra, nous recommandons d'utiliser l'application Videobar Mobile sur votre appareil mobile. Reportez-vous à la section **Application Videobar Mobile (Page 26)**.

Réinitialisation de la caméra



Pour rétablir les valeurs initiales de panoramique, d'inclinaison et de facteur de zoom sur la caméra, appuyez sur le bouton **Home** de la télécommande.

Modification des angles de panoramique et d'inclinaison



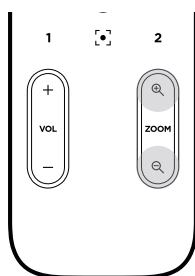
Remarque : vous ne pouvez modifier les angles de panoramique et d'inclinaison que si la caméra n'est pas en zoom arrière maximum.

Pour régler le panoramique (angle gauche/droite) de la caméra, appuyez sur l'un des boutons de panoramique (< ou >) sur la télécommande.

Pour régler l'angle d'inclinaison (haut/bas) de la caméra, appuyez sur l'un des boutons d'inclinaison (▲ ou ▼) sur la télécommande.

Appuyez une fois sur un bouton pour régler la caméra par incréments, ou maintenez le bouton enfoncé pour un réglage en continu.

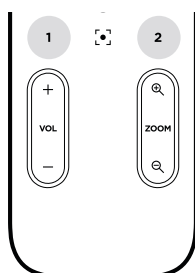
Réglage du facteur de zoom



Pour régler le facteur de zoom de la caméra, appuyez sur l'une des touches **Zoom** (+ ou -) sur la télécommande.

Appuyez une fois sur un bouton pour régler la caméra par incréments, ou maintenez le bouton enfoncé pour un réglage en continu.

Enregistrement et rappel d'un préséglage



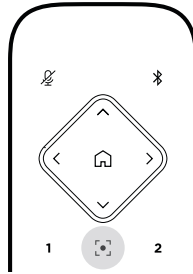
Vous pouvez enregistrer les valeurs de paramètres de panoramique, d'inclinaison et de facteur de zoom de la caméra sous forme de préséglage : Preset 1 ou Preset 2. Dès que vous rappelez un préséglage enregistré, la caméra retrouve immédiatement les réglages de panoramique, d'inclinaison et de facteur de zoom correspondants.

Pour enregistrer un préséglage :

1. Réglez les valeurs de panoramique, d'inclinaison et de facteur de zoom comme vous le souhaitez.
2. Maintenez enfoncée la touche de préséglage désirée sur la télécommande (**Preset 1** ou **Preset 2**) pendant 3 secondes. Les valeurs des paramètres seront enregistrées dans ce préséglage.

Pour rappeler un préséglage enregistré, appuyez sur la touche du préséglage désiré sur la télécommande (**Preset 1** ou **Preset 2**). La caméra fait immédiatement passer ses valeurs de panoramique, d'inclinaison et de facteur de zoom à celles enregistrées dans le préséglage.

Activation/désactivation de la fonction Autoframe (cadrage automatique)



Pour activer ou désactiver la fonction Autoframe (cadrage automatique) de la caméra, appuyez sur la touche **Autoframe** de la télécommande.

Lorsque cette fonction est activée, la caméra modifie automatiquement et en permanence les valeurs de panoramique, d'inclinaison et de facteur de zoom de façon à intégrer dans son champ de vision tous les participants présents dans la salle.

Remarque : le réglage manuel des valeurs de panoramique, d'inclinaison ou de facteur de zoom ou un appui sur le bouton **Home**, **Preset 1** ou **Preset 2** désactive automatiquement la fonction Autoframe.

Lorsqu'elle est désactivée, le réglage des valeurs de panoramique, d'inclinaison ou de facteur de zoom (PTZ) s'effectue manuellement.

Gestion des niveaux audio

La Videobar VB1 possède quatre entrées audio : ses microphones, l'audio via USB, l'audio via *Bluetooth* et l'entrée audio analogique (jack **Audio In**).

La VB1 possède aussi trois sorties audio : ses haut-parleurs, l'audio via USB et l'audio via *Bluetooth*.

Les niveaux en temps réel de tous ces signaux, excepté celui du jack **Audio In**, sont consultables dans l'onglet **Meters** de l'application ou de l'interface utilisateur Web Videobar Configuration.

Lecture audio locale

La musique ou les signaux audio arrivant via USB, *Bluetooth* ou sur l'entrée analogique sont diffusés sur les haut-parleurs de la VB1. Ces signaux audio ne sont pas envoyés de l'autre côté de la liaison pendant les réunions.

Son de la réunion

Le signal audio des microphones de la VB1 est envoyé de l'autre côté de la liaison (via la sortie USB) après passage par le traitement d'annulation d'écho acoustique (AEC).

Si la lecture audio locale est envoyée via l'entrée USB, le son sera diffusé sur les haut-parleurs de la VB1, mais le traitement d'AEC supprimera la musique du signal capté par le microphone de la VB1 avant envoi à l'autre extrémité de la liaison.

Si vous souhaitez envoyer la lecture audio locale à l'autre extrémité de la liaison, partagez l'application de lecture audio via votre logiciel de réunion.

Réglage des niveaux audio

La VB1 possède deux réglages de niveau : l'un pour le volume des haut-parleurs, l'autre pour le gain de l'entrée analogique (**Audio In**).

Pour régler le volume des haut-parleurs de la VB1, utilisez les touches **Volume +** ou **-** de la télécommande, réglez le volume sur l'ordinateur hôte, ou réglez le volume du son *Bluetooth*. Ces trois réglages de volume sont toujours synchronisés ; la modification de l'un d'entre eux modifie également les autres.

Remarque : toutes ces fonctions de contrôle sont également disponibles dans les applications logicielles permettant de configurer la Videobar VB1. Voir **Applications logicielles (Page 23)** pour plus d'informations.

Si nécessaire, modifiez la valeur du paramètre **Analog Input Gain** de façon à aligner le niveau du signal arrivant sur le jack **Audio In** avec les niveaux nominaux des signaux provenant de l'ordinateur hôte et des signaux audio *Bluetooth*. Vous pouvez le faire dans l'application ou via l'interface Web Videobar Configuration, ou encore dans l'application Videobar Administration (voir **Applications logicielles (Page 23)**).

Gestion des appareils *Bluetooth*

La VB1 peut être appairée avec un appareil *Bluetooth* à la fois. Par exemple, elle ne peut pas être appairée avec un appareil sur lequel s'exécute l'application Videobar Mobile et un autre appareil pour les appels ou la lecture audio.

Appairage d'un appareil *Bluetooth* à la VB1

L'application Videobar Mobile appaire votre appareil *Bluetooth* à la VB1 à l'aide du protocole *Bluetooth* Low Energy (BLE). L'application détecte automatiquement la VB1 se trouvant à proximité.

Pour appairer un appareil *Bluetooth* à la VB1 en utilisant l'application Videobar Mobile, lancez l'application et sélectionnez la VB1 souhaitée. L'indicateur *Bluetooth* situé sur le panneau avant de la VB1 s'allume en blanc fixe une fois la connexion effectuée. (Voir **Application Videobar Mobile (Page 26)** pour plus d'informations.)

Pour appairer un appareil *Bluetooth* pour les appels ou la lecture audio :

1. Appuyez sur le bouton **Bluetooth** sur le côté de la VB1 (ou maintenez enfoncé le bouton *Bluetooth* de la télécommande pendant 3 secondes) pour activer le mode d'appairage de la VB1. L'indicateur *Bluetooth* du panneau avant clignote en bleu.
2. Sur votre appareil *Bluetooth*, recherchez les autres appareils *Bluetooth* disponibles et sélectionnez la VB1. L'indicateur *Bluetooth* situé sur le panneau avant de la VB1 s'allume en blanc fixe une fois la connexion effectuée.

Déconnexion d'un appareil *Bluetooth* de la VB1

La VB1 ne se reconnecte pas automatiquement à un appareil *Bluetooth* auquel elle a été précédemment appairée. Une fois la connexion *Bluetooth* perdue (à cause de la distance, d'une déconnexion intentionnelle, de l'appairage avec un autre appareil, etc.), il faut suivre la procédure ci-après pour recommencer l'appairage.

Pour déconnecter un appareil *Bluetooth* de la VB1, vous pouvez :

- désactiver la connexion *Bluetooth* de votre appareil mobile ;
- appuyer sur le bouton **Bluetooth** sur le côté de la VB1 ; ou
- maintenir enfoncé le bouton **Bluetooth** de la télécommande pendant 3 secondes.

Modes basse consommation

Dans certains pays, des lois visant à économiser l'énergie exigent qu'un produit comme la VB1 passe automatiquement en mode basse consommation électrique lorsqu'il n'est pas utilisé. Vous pouvez désactiver (ou réactiver) cette fonction dans la VB1 en utilisant l'application ou l'interface Web Videobar Configuration ou l'application Videobar Administration (voir **Applications logicielles (Page 23)**).

Le mode basse consommation de la VB1 propose en fait deux niveaux : un mode **standby (veille)** et un mode de **low-power standby (veille basse consommation)**.

Si le mode basse consommation est activé, la VB1 passe automatiquement en mode veille au bout de 18 minutes d'inactivité. Au bout de 2 heures supplémentaires d'inactivité, la VB1 passe en mode veille basse consommation. Dans ces deux modes, la barre lumineuse à l'avant de la VB1 s'éteint.

Si le mode basse consommation est désactivé, ces deux modes de veille le sont également.

Certaines actions ou commandes peuvent empêcher la VB1 de passer en mode de veille, sortir la VB1 de son mode de veille (retour au mode d'utilisation normal) ou sortir la VB1 de son mode de veille basse consommation (retour au mode d'utilisation normal).

Action ou commande		Empêche la VB1 de passer en mode veille.	Sort la VB1 de son mode veille.	Sort la VB1 de son mode basse consommation.
Bouton	Bouton Mute ou Bluetooth sur le côté de la VB1	✓	✓	✓
	N'importe quelle touche de la télécommande	✓	✓	✓
USB	Connexion de l'appareil à un port USB-C		✓	✓
	Communication avec l'application ou l'interface Web Videobar Configuration	✓		
	Lecture audio	✓	✓	
Bluetooth	Connexion active	✓	✓	
	Lecture audio	✓	✓	
Wi-Fi ou Ethernet	Communication avec l'application ou l'interface Web Videobar Configuration	✓	✓	
	Communication avec l'application Videobar Administration	✓	✓	
HDMI Display	Ordinateur connecté au port HDMI Display avec DisplayLink activé	✓	✓	
Audio In (Entrée audio)	Lecture audio	✓	✓	

ENTRETIEN

Nettoyage de la VB1

Il peut être nécessaire de nettoyer la VB1 à intervalles réguliers.

Essuyez les surfaces extérieures avec un chiffon doux et sec.

Ne laissez pas d'humidité s'introduire à l'intérieur de la grille ou via n'importe quelle connexion par câble.

Pièces de rechange et accessoires

Vous pouvez commander des accessoires ou des pièces de rechange en vous adressant au service client de Bose Professional. Consultez la page : [boseprofessional.com](https://www.boseprofessional.com)

Garantie limitée

La Videobar VB1 est couverte par une garantie limitée. Consultez notre site Web à l'adresse [boseprofessional.com/warranty](https://www.boseprofessional.com/warranty).

Emplacement du numéro de série

Le numéro de série et le numéro de modèle sont indiqués au niveau du panneau arrière du produit.

Vous pouvez également voir le numéro de série dans l'application ou l'interface Web Videobar Configuration ou dans l'application Videobar Administration (voir **Applications logicielles (Page 23)**).

Restauration des paramètres d'usine par défaut

La restauration des paramètres d'usine par défaut a pour effet :

- d'effacer la liste des appareils *Bluetooth* appairés à la VB1 ;
- d'effacer les préséglages de la caméra (Preset 1 et Preset 2) ;
- de rétablir les valeurs par défaut de tous les paramètres de la caméra, des microphones et des haut-parleurs. (La plupart de ces paramètres se configurent dans l'application Videobar Configuration ou Videobar Administration.) ; et
- de rétablir le mot de passe administrateur, à savoir **Bose123!**.

Remarque : nous vous recommandons de modifier le mot de passe après réinitialisation.

Pour restaurer tous les paramètres d'usine de la VB1 à leurs valeurs par défaut, deux méthodes sont possibles :

Sur la télécommande, maintenez enfoncées les touches **Home** et **Autoframe** simultanément, pendant 5 secondes.

Sur le côté de la VB1, maintenez enfoncés les boutons **Mute** et **Bluetooth** simultanément, pendant 5 secondes.

Une petite section d'indicateurs, au centre de la barre lumineuse, clignote plusieurs fois en blanc. Les indicateurs s'allument ensuite de l'extérieur vers le centre, jusqu'à ce que toute la barre s'allume en blanc fixe. Les indicateurs s'éteignent de la même façon. Une fois cette procédure terminée, la VB1 redémarrera avec des paramètres par défaut.

Mot de passe oublié

Si vous avez oublié le mot de passe donnant accès aux paramètres de configuration réservés à l'administrateur, il faut passer par une restauration des paramètres d'usine par défaut afin de réinitialiser ce mot de passe (voir **Restauration des paramètres d'usine par défaut (Page 42)**).

Remarque : nous vous recommandons de modifier le mot de passe après réinitialisation.

Mise à jour du logiciel

Pour rechercher et installer les mises à jour de firmware de la VB1, vous pouvez utiliser l'application de configuration et l'application Videobar Administration. Voir **Applications logicielles (Page 23)** pour savoir comment télécharger et accéder à ces applications logicielles.

Si vous utilisez l'**interface Web Videobar Configuration** pour configurer la VB1, vous ne pourrez pas rechercher automatiquement ou mettre à jour le firmware depuis les serveurs en ligne, à moins que votre ordinateur ne soit connecté à Internet.

Si vous ne pouvez pas accéder à la mise à jour de firmware en utilisant l'interface Web, il existe des alternatives :

Utilisez l'**application Videobar Configuration**.

Utilisez l'**application Videobar Administration**.

Téléchargez le fichier de firmware directement sur votre ordinateur, puis utilisez l'**interface Web Videobar Configuration** pour mettre à jour le firmware si sa version est ancienne.

DÉPANNAGE

Essayez d'abord les solutions suivantes.

Si vous rencontrez des problèmes avec la VB1, essayez d'abord ces solutions :

Assurez-vous que la VB1 est branchée à une prise secteur.

Vérifiez que tous les câbles arrivant sur le panneau arrière sont bien connectés. Reportez-vous à la section **Branchement des câbles (Page 20)**.

Vérifiez les indicateurs d'état. Reportez-vous à la section **Panneau avant (Page 27)**.

Vérifiez que votre appareil mobile prend en charge les connexions *Bluetooth*.

Vérifiez les mises à jour logicielles disponibles pour la VB1. Reportez-vous à la section **Mise à jour du logiciel (Page 42)**.

Rapprochez votre appareil *Bluetooth* de la VB1 et éloignez-le de tout obstacle ou source d'interférence.

Réglez le volume sur la VB1, l'ordinateur, l'appareil *Bluetooth* ou toute autre source audio. Reportez-vous à la section **Gestion des niveaux audio (Page 38)**.

Si vous ne parvenez pas à résoudre votre problème, consultez le tableau ci-dessous pour identifier les symptômes et trouver des solutions aux problèmes courants. Si vous ne parvenez toujours pas à résoudre le problème, contactez le service client de Bose Professional. Visitez [boseprofessional.com](https://www.boseprofessional.com).

Problème	Solution
J'entends de la musique, mais mon PC n'est pas connecté.	Vérifiez si l'indicateur <i>Bluetooth</i> est allumé en blanc fixe. Si c'est le cas, la VB1 est peut-être déjà appairée à un autre appareil <i>Bluetooth</i> . Appuyez sur le bouton Bluetooth sur le côté de la VB1 pour la déconnecter.
Le son est trop faible, voire totalement inaudible.	Le volume est peut-être trop bas. Montez le volume en utilisant : <ul style="list-style-type: none"> la télécommande de la VB1 votre appareil mobile <i>Bluetooth</i> (si vous en utilisez un) votre logiciel de réunion (volume de l'appareil associé aux haut-parleurs) Si vous n'entendez toujours pas de son, vérifiez que l'élément Videobar VB1 est sélectionné comme haut-parleur dans votre logiciel de réunion.

Problème	Solution
Le son subit des distorsions.	<p>Le volume est peut-être trop élevé. Baissez le volume en utilisant :</p> <ul style="list-style-type: none"> la télécommande de la VB1 votre appareil mobile <i>Bluetooth</i> (si vous en utilisez un) votre logiciel de réunion (volume de l'appareil associé aux haut-parleurs)
Régler le volume sur l'ordinateur n'a aucun effet sur le volume de la VB1.	<p>Votre ordinateur n'est peut-être pas paramétré pour utiliser la VB1 comme appareil de lecture audio par défaut (même si votre logiciel de réunion fonctionne correctement avec la VB1).</p> <p>Sous Windows : clic droit sur l'icône haut-parleur dans la partie droite de la barre des tâches, puis sur Ouvrir les paramètres de son. Puis, dans la page Son, sélectionnez Videobar VB1 comme appareil de lecture.</p> <p>Sous macOS : cliquez sur la pomme dans le coin supérieur gauche de l'écran, puis sélectionnez Préférences Système.... Cliquez sur Son, puis sur Sortie. Sélectionnez Videobar VB1 dans la liste des appareils.</p>
Le volume de sortie de mon ordinateur a soudainement changé lorsque j'ai connecté mon ordinateur ou mon appareil mobile à la VB1.	C'est tout à fait normal. La VB1 synchronise automatiquement le volume de tous les appareils lorsqu'ils se connectent à elle.
« Videobar VB1 » ne figure pas dans la liste des microphones, haut-parleurs ou caméras dans mon logiciel de réunion.	<p>Attendez environ 30 secondes pour que votre ordinateur enregistre la VB1 comme périphérique pour le microphone, le haut-parleur ou la caméra.</p> <p>Si la VB1 n'apparaît toujours pas, essayez les solutions suivantes :</p> <ul style="list-style-type: none"> Vérifiez que le câble USB est correctement branché à votre ordinateur. Connectez-vous à un autre port USB de votre ordinateur. Vérifiez que la VB1 est alimentée (branchée correctement à une prise secteur). Vérifiez que le câble USB est correctement connecté au port USB-C du panneau arrière de la VB1. Utilisez un câble USB plus court.
Mon logiciel de réunion affiche un message selon lequel la vidéo ne fonctionne pas ou ne peut pas démarrer.	Ce cas de figure survient habituellement lorsque l'application Videobar Configuration ou un autre client de communications unifiées utilise et contrôle déjà la caméra. Quittez l'application utilisant la vidéo.


Problème	Solution
Lorsque j'essaie de me connecter à la VBI en utilisant l'interface Web Videobar Configuration, mon navigateur affiche un message de sécurité.	C'est normal, car la VBI ne fournit pas de certificat de sécurité basé sur une adresse IP allouée dynamiquement. Voir Application et interface utilisateur Web Videobar Configuration (Page 24) pour des instructions spécifiques. (Si vous avez le moindre doute sur une opération à effectuer sur votre ordinateur, dans le navigateur Web ou ailleurs, consultez au préalable votre administrateur système/responsable informatique.)
Il n'y a pas d'image vidéo sur le second écran (depuis le port HDMI Display).	Essayez les solutions suivantes : Vérifiez que l'écran est allumé. Vérifiez que l'entrée/source de l'écran est définie sur le port HDMI connecté à la VBI. Vérifiez que le câble HDMI est correctement connecté à la VBI et à l'écran. Vérifiez que la version la plus récente du pilote DisplayLink est installée sur votre ordinateur (displaylink.com/downloads). Vérifiez que dans la page de paramètres d'écran de votre ordinateur, le mode sélectionné est « Étendre » pour le second écran, et non « Miroir » ou « Dupliquer ». Vérifiez que le paramètre DisplayLink est activé dans le logiciel Videobar Configuration.
Mon ordinateur détecte la VBI comme second écran, même s'il n'est pas connecté au port HDMI Display .	Vérifiez que dans la page de paramètres d'écran de votre ordinateur, le mode sélectionné est « Miroir » ou « Dupliquer », et non « Étendre » à un second écran.
L'image vidéo sur le second écran (connecté au port HDMI Display) est en décalage avec le signal audio.	Dans les paramètres d'écran de votre ordinateur, réduisez la résolution de l'écran vidéo.
L'image vidéo sur le second écran (connecté au port HDMI Display) est déformée.	Vérifiez que vous utilisez un câble fourni par Bose Professional, ou un câble USB certifié. Vérifiez aussi que le câble n'est pas endommagé.
La caméra effectue des zooms avant ou arrière, même quand je ne la règle pas manuellement.	La fonction Autoframe (cadrage automatique) de la caméra est peut-être activée. Appuyez sur la touche Autoframe de la télécommande pour la désactiver. Certains logiciels de réunion intègrent une fonction Autoframe, qui permet de recadrer l'image ou de modifier le facteur de zoom de la caméra. Si possible, désactivez cette fonction dans votre logiciel de réunion.

Problème	Solution
L'indicateur <i>Bluetooth</i> clignote en bleu.	C'est tout à fait normal. Il indique ainsi que la VB1 se trouve en mode d'appairage <i>Bluetooth</i> (quelqu'un a peut-être involontairement appuyé sur le bouton <i>Bluetooth</i> situé sur le côté de la VB1 ou sur la touche <i>Bluetooth</i> de la télécommande.)
L'indicateur <i>Bluetooth</i> est allumé en blanc fixe.	C'est tout à fait normal. Il indique ainsi que la VB1 est connectée à un appareil mobile <i>Bluetooth</i> pour diffuser le son de musique ou d'appels, ou à l'application Videobar Mobile.
La barre lumineuse est allumée.	Si elle est allumée dans sa totalité, c'est qu'une réunion active est en cours. Si seule une section est allumée, aucune réunion active n'est en cours. La VB1 est tout simplement sous tension. Voir Barre lumineuse (Page 31) pour plus d'informations.
Une petite section d'indicateurs, au centre de la barre lumineuse, est allumée en vert fixe.	C'est tout à fait normal. Elle indique ainsi que la caméra de la VB1 est activée. (Si les autres indicateurs de la barre lumineuse sont allumés en blanc fixe, une réunion active est en cours. Si les autres indicateurs de la barre lumineuse sont éteints, aucune réunion active n'est en cours.)

Bitte lesen Sie alle Sicherheitshinweise und Gebrauchsanleitungen durch und bewahren Sie sie auf.

Wichtige Sicherheitshinweise

Weitere Informationen zur Bose Professional Videobar VBI (auch über Zubehör- und Ersatzteile) finden Sie unter boseprofessional.com/VBI. Bei Fragen können Sie sich gerne auch an den Bose Professional Kundendienst wenden.

1. Lesen Sie die folgenden Anweisungen.
2. Bewahren Sie die Anweisungen auf.
3. Beachten Sie alle Warn- und Sicherheitshinweise.
4. Befolgen Sie alle Anweisungen.
5. Verwenden Sie dieses Gerät nicht in der Nähe von Wasser.
6. Reinigen Sie das Gerät nur mit einem sauberen, trockenen Tuch.
7. Achten Sie darauf, dass die Lüftungsöffnungen nicht blockiert sind. Stellen Sie das Gerät nur in Übereinstimmung mit den Herstelleranweisungen auf.
8. Stellen Sie das Gerät nicht in der Nähe von Wärmequellen auf, wie Heizkörpern, Wärmespeichern, Öfen oder anderen Geräten (auch Verstärkern), die Wärme erzeugen.
9. Verlegen Sie das Netzkabel so, dass es keine Stolpergefahr darstellt und nicht beschädigt werden kann – insbesondere im Bereich von Steckern und Steckdosen und dort, wo das Netzkabel aus dem Gerät herausgeführt wird.
10. Verwenden Sie nur Zubehör-/Anbauteile, die vom Hersteller zugelassen sind.
11.  Verwenden Sie für das Gerät nur Rollwagen, Ständer, Dreibeine, Halterungen oder Tische, die vom Hersteller zugelassen sind oder zusammen mit dem Gerät verkauft werden. Falls Sie einen Rollwagen verwenden, dürfen Sie die Einheit aus Gerät und Rollwagen nur mit Vorsicht bewegen, damit Verletzungen durch ein mögliches Umkippen ausgeschlossen sind.
12. Ziehen Sie das Netzkabel bei Gewitter oder bei längerer Nichtbenutzung des Geräts aus der Steckdose.
13. Lassen Sie jegliche Reparatur- und Wartungsarbeiten nur von qualifiziertem Fachpersonal durchführen. Wartungsarbeiten sind in folgenden Fällen nötig: bei jeglichen Beschädigungen wie z. B. des Netzkabels oder Netzsteckers, wenn Flüssigkeiten oder Gegenstände in das Gehäuse gelangt sind, das Gerät Regen oder Feuchtigkeit ausgesetzt wurde, fallen gelassen wurde oder nicht ordnungsgemäß funktioniert.

WARNHINWEISE



Dieser Warnhinweis auf dem Produkt warnt vor nicht isolierten gefährlichen Spannungsquellen im Inneren des Produktes, die ein Stromschlagrisiko darstellen können. Es besteht die Gefahr von Stromschlägen!



Dieser Warnhinweis auf dem Produkt weist auf wichtige Bedien- und Wartungsinformationen in dieser Anleitung hin.



Enthält kleine Teile, die verschluckt werden können und eine Erstickungsgefahr darstellen. Nicht geeignet für Kinder unter drei Jahren.



Dieses Produkt enthält magnetische Materialien. Wenden Sie sich an Ihren Arzt, wenn Sie wissen möchten, ob dies den Betrieb Ihres implantierten medizinischen Geräts beeinflussen kann.



Nur in Höhen unterhalb von 2.000 Metern verwenden.

Alle Produkte von Bose Professional müssen gemäß den örtlichen und staatlichen Vorschriften sowie gemäß allen Branchenbestimmungen installiert werden. Der Monteur ist dafür verantwortlich, sicherzustellen, dass die Installation der Lautsprecher und der Halterung gemäß allen geltenden Vorschriften durchgeführt wird, einschließlich örtlicher Bauvorschriften und -bestimmungen. Wenden Sie sich vor der Installation dieses Produkts an die zuständige abnehmende Behörde.

Achten Sie bei der Positionierung des Produkts darauf, dass keine Lüftungsöffnungen an Ihrem Bildschirm blockiert werden. Installieren Sie den Bildschirm gemäß den Anweisungen des Herstellers, die Sie der zugehörigen Bedienungsanleitung entnehmen können.

Nehmen Sie KEINE nicht genehmigten Änderungen an diesem Produkt vor.

Verwenden Sie beim Austauschen der Batterien AAA/LR03-Alkali-Batterien.

Die bei diesem Produkt mitgelieferte Batterie kann ein Brand-, Explosions- oder Verätzungsrisiko darstellen, wenn sie unsachgemäß verwendet, unsachgemäß ersetzt oder durch einen falschen Typ ersetzt wird. Batterien dürfen nicht wieder aufgeladen, auseinanderggebaut, erhitzt oder verbrannt werden.

Bewahren Sie Batterien stets außer Reichweite von Kindern auf.

Sollte Flüssigkeit aus der Batterie austreten, bringen Sie diese auf keinen Fall in Kontakt mit der Haut oder den Augen. Suchen Sie bei Haut- oder Augenkontakt umgehend einen Arzt auf.

Setzen Sie Produkte mit Batterien keiner großen Hitze aus (z. B. durch Aufbewahrung im direkten Sonnenlicht, Feuer oder ähnliches).

Für die Montage des Produktes sind nur die mitgelieferten Hilfsmittel zugelassen.

Nur für die Wandmontage auf folgenden Oberflächen geeignet: Gipskartonplatten ≥ 10 mm

Bitte wenden Sie sich für die Montage auf anderen als den oben angegebenen Oberflächen an einen fachkundigen Monteur.

Die mit diesem System mitgelieferten Verbindungskabel sind nicht für den Wandeinbau zugelassen. Bitte sehen Sie in Ihren örtlichen Bauvorschriften wegen des korrekten Kabeltyps nach, der für den Wandeinbau erforderlich ist.

Bei der Montage ist auf eine tragfähige Oberfläche zu achten, in deren Nähe sich keine Einrichtungen wie strom- oder wasserführende Leitungen befinden.

Verwenden Sie das Produkt NICHT in Fahrzeugen oder Booten.

Aufgrund der Belüftungsanforderungen sollten Sie das Produkt nicht in einem geschlossenen Raum, zum Beispiel in einer Wandnische oder in einem geschlossenen Schrank, aufstellen.

Montieren oder platzieren Sie das Gerät nicht in der Nähe von Wärmequellen wie Heizkörpern, Wärmespeichern oder anderen Geräten (auch Verstärkern), die Wärme erzeugen.

Halten Sie das Produkt von Feuer und Wärmequellen fern. Stellen Sie KEINE brennenden Kerzen oder ähnliches auf das Gerät oder in die Nähe des Geräts.

Um Brände und Stromschläge zu vermeiden, darf dieses Produkt NICHT Regen, Flüssigkeiten oder Feuchtigkeit ausgesetzt werden.

Schützen Sie dieses Produkt vor tropfenden oder spritzenden Flüssigkeiten und stellen Sie KEINE mit Flüssigkeiten gefüllten Gefäße (z. B. Vasen) auf das Produkt oder in die Nähe des Produkts.

Dieses Produkt ist nicht für die Installation oder Verwendung in Feuchtbereichen (zum Beispiel Schwimmbädern, Wasserparks, Räumen mit Whirlpools, Saunas, Dampfbädern und Eislaufbahnen) gedacht.

Montieren Sie das Produkt nicht an Orten, an denen Kondenswasser auftreten kann.

Verwenden Sie KEINEN Wechselrichter mit diesem Produkt.

Verwenden Sie dieses Produkt nur mit dem im Lieferumfang enthaltenen Netzteil.

Falls Sie den Netzstecker oder eine Mehrfachsteckdose verwenden, um das Gerät von der Stromversorgung zu trennen, sollten Sie sicherstellen, dass Sie jederzeit auf den Stecker zugreifen können.

Gesetzliche Hinweise

Abmessungen (H × B × T): 48 × 659 × 102 mm

Nettogewicht: 2,5 kg

Eingangsnennleistung: 24 VDC , 1,875 A

Dieses Gerät sollte mit einem Mindestabstand von 20 cm zwischen dem Radiator und Ihrem Körper aufgestellt und betrieben werden.

Abgeschirmte Kabel müssen den gesetzlichen Vorschriften entsprechen.

CAN ICES-3 (B)/NMB-3(B)

Informationen über Produkte, die elektrische Störungen verursachen (Hinweis zur FCC-Einhaltung für die USA)

HINWEIS: Dieses Gerät wurde geprüft. Es stimmt mit den Grenzwerten für digitale Geräte der Klasse B gemäß Teil 15 der FCC-Vorschriften überein. Diese Grenzwerte sollen einen angemessenen Schutz gegen elektromagnetische Störungen bei einer Installation in Wohngebieten gewährleisten. Dieses Gerät erzeugt und verwendet Hochfrequenzstrahlung und kann sie auch aussenden. Daher verursacht das Gerät bei nicht ordnungsgemäßer Installation und Benutzung möglicherweise Störungen des Funkverkehrs. Es wird jedoch keine Garantie dafür gegeben, dass bei einer bestimmten Installation keine Störstrahlungen auftreten. Sollte dieses Gerät den Radio- oder Fernsehempfang stören (Sie können dies überprüfen, indem Sie das Gerät aus- und wieder einschalten), so ist der Benutzer dazu angehalten, die Störungen durch eine der folgenden Maßnahmen zu beheben:

- Neuausrichtung der Antenne.
- Vergrößerung des Abstands zwischen dem Gerät und einem Radio- oder Fernsehempfänger.
- Anschluss des Geräts an eine Steckdose in einem anderen Stromkreis als der des Empfängers.
- Unterstützung durch einen Händler oder einen erfahrenen Radio-/Fernsehtechniker.

Veränderungen am Gerät, die nicht durch die Bose Professional autorisiert wurden, können zur Folge haben, dass die Betriebserlaubnis für das Gerät erlischt.

Dieses Gerät erfüllt die Bestimmungen in Teil 15 der FCC-Vorschriften und die lizenzfreien RSS-Standards von ISED Canada.

Der Betrieb unterliegt den beiden folgenden Bedingungen: (1) Dieses Gerät darf keine störenden Interferenzen verursachen und (2) dieses Gerät muss Interferenzen tolerieren, einschließlich solcher Interferenzen, die unerwünschte Auswirkungen auf den Betrieb haben können.

Handhabungsvorschriften für funkfrequenzbasierte Geräte mit niedriger Sendeleistung

Artikel XII: Nach den „Handhabungsvorschriften für funkfrequenzbasierte Geräte mit niedriger Sendeleistung“ dürfen Unternehmen, Organisationen oder einzelne Anwender ohne die Genehmigung der US-Behörde NCC keinerlei Änderungen an der Sendefrequenz vornehmen, die Sendeleistung nicht erhöhen und die ursprünglichen Eigenschaften eines genehmigten funkfrequenzbasierten Geräts mit niedriger Sendeleistung, einschließlich dessen Leistung, in keiner Weise modifizieren.

Artikel XIV: Das funkfrequenzbasierte Gerät mit niedriger Sendeleistung darf nicht die Sicherheit des Flugverkehrs gefährden oder gesetzliche Kommunikationskanäle stören; handelt der Anwender im Widerspruch hierzu, muss er den Betrieb unverzüglich einstellen, bis die Störungsfreiheit gewährleistet ist. Unter den gesetzlichen Kommunikationskanälen ist die Funkkommunikation gemäß dem US-Fernmeldegesetz „Telecommunications Act“ zu verstehen.

Die funkfrequenzbasierten Geräte mit niedriger Sendeleistung müssen offen für Interferenz von gesetzlichen Kommunikationskanälen oder industriellen, wissenschaftlichen oder medizinischen funkbasierten Geräten sein.



Die Bose Professional erklärt hiermit, dass dieses Produkt die wesentlichen Anforderungen und andere relevante Bestimmungen der Richtlinie 2014/53/EU und weitere geltende EU-Richtlinien erfüllt. Die vollständige Konformitätserklärung ist einsehbar unter: www.Bose.com/compliance.

Dieses Produkt erfüllt alle geltenden Vorschriften der elektromagnetischen Kompatibilität 2016 und alle anderen anwendbaren britischen Vorschriften. Die vollständige Konformitätserklärung ist einsehbar unter: www.Bose.com/compliance.

Die Bose Professional erklärt hiermit, dass dieses Produkt den wesentlichen Anforderungen der Vorschriften für Funkanlagen 2017 und allen zutreffenden britischen Vorschriften entspricht. Die vollständige Konformitätserklärung ist einsehbar unter: www.Bose.com/compliance.

Im Frequenzband 5,150 bis 5,250 MHz ist das Gerät nur für den Einsatz in Innenräumen vorgesehen, um die Gefahr von schädlichen Interferenzen in mobilen Gleichkanal-Satellitensystemen zu reduzieren.

Für Europa:

Frequenzband des Betriebs 2.400 bis 2.483,5 MHz:

- Bluetooth®* /Wi-Fi (WLAN): maximale Übertragungsleistung unter 20 dBm EIRP.
- Bluetooth* Low Energy: maximale spektrale Leistungsdichte unter 10 dBm/MHz EIRP.

Frequenzband des Betriebs 5.150 bis 5.350 MHz und 5.470 bis 5.725 MHz:

- Wi-Fi (WLAN): maximale Übertragungsleistung unter 20 dBm EIRP.

Beim Betrieb im Frequenzbereich 5.150 bis 5350 MHz ist die Verwendung dieses Geräts in allen in der Tabelle aufgeführten EU-Mitgliedsstaaten auf die Verwendung in Innenräumen beschränkt.

	BE	DK	IE	UK (NI)	FR	CY	SK	HU	AT	SE	BG	DE	PT	EL
	HR	LV	LT	MT	PL	CZ	EE	FI	ES	IT	RO	LU	NL	SI



Dieses Symbol bedeutet, dass das Produkt nicht mit dem Hausmüll entsorgt werden darf, sondern bei einer geeigneten Recycling-Sammelstelle abgegeben werden muss. Die ordnungsgemäße Entsorgung und das Recycling tragen dazu bei, die natürlichen Ressourcen, die Gesundheit und die Umwelt zu schützen. Weitere Informationen zur Entsorgung und zum Recycling dieses Produkts erhalten Sie von Ihrer zuständigen Kommune, Ihrem Entsorgungsdienst oder dem Geschäft, in dem Sie dieses Produkt gekauft haben.



Entsorgen Sie leere Batterien ordnungsgemäß und befolgen Sie dabei die vor Ort gültigen Bestimmungen. Verbrennen Sie leere Batterien nicht.



Tabelle zur Einschränkung gefährlicher Stoffe für China

Namen und Inhalt der giftigen oder gefährlichen Stoffe oder Elemente						
Gefährliche Stoffe oder Elemente						
Name des Teils	Blei (Pb)	Quecksilber (Hg)	Kadmium (Cd)	Sechswertiges Chrom (CR(VI))	Polybromiertes Biphenyl (PBB)	Polybromierter Diphenylether (PBDE)
PCBs	X	0	0	0	0	0
Metallteile	X	0	0	0	0	0
Kunststoffteile	0	0	0	0	0	0
Lautsprecher	X	0	0	0	0	0
Kabel	X	0	0	0	0	0

Diese Tabelle wurde in Übereinstimmung mit den Bestimmungen von SJ/T 11364 erstellt.

O: Gibt an, dass dieser giftige oder gefährliche Stoff, der in allen homogenen Materialien für dieses Teil enthalten ist, unter den Grenzwerten gemäß GB/T 26572 liegt.

X: Gibt an, dass dieser giftige oder gefährliche Stoff, der in mindestens einem der homogenen Materialien enthalten ist, die für dieses Teil verwendet wurden, über den Grenzwerten gemäß GB/T 26572 liegt.

Tabelle mit Vorgaben zur Einschränkung der Verwendung bestimmter gefährlicher Stoffe in Taiwan

Gerätebezeichnung: Bose Videobar VBI Typenbezeichnung: 433869						
Stoffe mit eingeschränkter Verwendung und ihre chemischen Symbole						
Einheit	Blei (Pb)	Quecksilber (Hg)	Kadmium (Cd)	Sechswertiges Chrom (Cr+6)	Polybromierte Biphenyle (PBB)	Polybromierte Diphenylether (PBDE)
PCBs	–	○	○	○	○	○
Metallteile	–	○	○	○	○	○
Kunststoffteile	○	○	○	○	○	○
Lautsprecher	–	○	○	○	○	○
Kabel	–	○	○	○	○	○

Hinweis 1: „○“ zeigt an, dass der prozentuale Gehalt des Stoffes mit eingeschränkter Verwendung den Prozentsatz des Referenzwertes des Vorhandenseins nicht überschreitet.

Hinweis 2: „–“ gibt an, dass der Stoff mit eingeschränkter Verwendung der Ausnahme entspricht.

Herstellungsdatum: Die achte Ziffer in der Seriennummer gibt das Herstellungsjahr an: „3“ ist 2013 oder 2023.

Importeur aus China: Bose Electronics (Shanghai) Company Limited, Level 6, Tower D, No. 2337 Gudai Rd. Minhang District, Shanghai 201100

Importeur aus der EU: Bose Products B.V., Gorslaan 60, 1441 RG Purmerend, Niederlande

Importeur aus Mexiko: Bose de México, S. de R.L. de C.V., Paseo de las Palmas 405-204, Lomas de Chapultepec, 11000 México, D.F. Tel.: +5255 (5202) 3545

Importeur aus Taiwan: Bose Taiwan Branch, 9F-A1, No. 10, Section 3, Minsheng East Road, Taipei City 104, Taiwan. Tel.: +886-2-2514 7676

Importeur aus Großbritannien: Bose Limited Bose House, Quayside Chatham Maritime, Chatham, Kent, ME4 4QZ, Großbritannien

Bose Corporation, Framingham, MA 01701, U.S.A. 1-877-230-5639

Produkt-Energiezustände in Tabellenform

Das Produkt erfüllt die folgende(n) Norm(en) oder Vorschrift(en) gemäß der Richtlinie 2009/125/EG zu Anforderungen an die umweltgerechte Gestaltung energieverbrauchsrelevanter Produkte: Verordnung (EG) Nr. 1275/2008, in der durch Verordnung (EU) Nr. 801/2013 geänderten Fassung.

Erforderliche Angaben zu Energiezuständen	Energiemodi	
	Standby	Netzwerk-Standby
Stromverbrauch im angegebenen Stromversorgungsmodus bei einem Eingang von 230 V/50 Hz	≤ 0,5 W	WLAN, Ethernet, <i>Bluetooth</i> ≤ 2,0 W
Zeit, nach der das Gerät automatisch in den Modus geschaltet wird	≤ 2,5 Stunden	≤ 20 Minuten
Stromverbrauch im Netzwerk-Standby, wenn alle drahtgebundenen Netzwerkanschlüsse verbunden und alle drahtlosen Netzwerkanschlüsse aktiviert sind, bei einem Eingang von 230 V/50 Hz	≤ 2,0 W	≤ 2,0 W
Deaktivierung/Aktivierung von Netzwerkanschlüssen. Wenn alle Netzwerke deaktiviert werden, wird der Standby-Modus aktiviert.	<p>Wi-Fi (WLAN): Deaktivieren durch Zurücksetzen auf die Werkseinstellungen: Halten Sie die Home- und die Autoframe-Taste auf der Fernbedienung gleichzeitig 5 Sekunden lang gedrückt, oder halten Sie die Mute- und die <i>Bluetooth</i>-Taste an der Seite des Geräts gleichzeitig 5 Sekunden lang gedrückt. Die Aktivierung erfolgt über die Videobar Mobile App.</p> <p>Ethernet: Die Ethernet-Verbindung lässt sich durch Entfernen des Ethernet-Kabels deaktivieren. Zum Aktivieren stecken Sie das Ethernet-Kabel ein.</p> <p><i>Bluetooth</i>: Deaktivieren durch Zurücksetzen auf die Werkseinstellungen: Halten Sie die Home- und die Autoframe-Taste auf der Fernbedienung gleichzeitig 5 Sekunden lang gedrückt, oder halten Sie die Mute- und die <i>Bluetooth</i>-Taste an der Seite des Geräts gleichzeitig 5 Sekunden lang gedrückt. Zum Aktivieren koppeln Sie das Gerät mit einer <i>Bluetooth</i>-Quelle.</p>	

Technische Informationen zum externen Netzteil

Das im Lieferumfang enthaltene externe Netzteil erfüllt die folgende(n) Norm(en) oder Vorschrift(en) gemäß der Richtlinie 2009/125/EG zu Anforderungen an die umweltgerechte Gestaltung energieverbrauchsrelevanter Produkte: Verordnung der Kommission (EU) 2019/1782.

Hersteller	Bose Products B.V.
Handelsregisternummer	36037901
Adresse	Gorslaan 60 1441 RG Purmerend Niederlande
Modellkennung	DT24V-1.8C-DC
Eingangsspannung	100 V–240 V
Eingangs-AC-Frequenz	50 Hz/60 Hz
Ausgangsspannung	24 VDC
Ausgangsstrom	1,9 A
Ausgangsleistung	45 W
Durchschnittliche Effizienz	89,9 %
Effizienz bei geringer Last (10 %)	87,0 %
Stromverbrauch im Leerlauf	0,07 W

Lizenzen und rechtliche Hinweise

Bose ist eine Marke von Bose Corporation.

Videobar ist eine Marke von Transom Post OpCo LLC.



DisplayLink® ist eine eingetragene Marke der DisplayLink Corp. in der EU, den USA und anderen Ländern.



HDMI und HDMI High-Definition Multimedia Interface sowie das HDMI-Logo sind Marken oder eingetragene Marken von HDMI Licensing Administrator Inc.

Android und Google Play sind Marken von Google LLC.

Die *Bluetooth®* Wortmarke und Logos sind eingetragene Marken der Bluetooth SIG, Inc. Jegliche Nutzung dieser Marken durch die Bose Professional erfolgt unter Lizenz.

macOS ist eine eingetragene Marke von Apple Inc.

USB Type-C® und USB-C® sind eingetragene Marken des USB Implementers Forum und ausschließlich für die Verwendung mit Produkten vorgesehen, die auf der USB Type-C®-Spezifikation für Kabel und Anschlüsse basieren und dieser entsprechen.

Wi-Fi ist eine eingetragene Marke der Wi-Fi Alliance®.

Alle anderen Marken sind das Eigentum ihrer jeweiligen Inhaber.

Die Lizenzinformationen zu den als Komponenten der Videobar VBI enthaltenen Fremdsoftware-Paketen können Sie folgendermaßen abrufen:

Videobar VBI: Laden Sie die **Videobar Mobile** App für mobile Endgeräte herunter, öffnen Sie sie und tippen Sie auf das **Settings**-Symbol. Tippen Sie anschließend auf **End User License Agreement**.

Videobar Mobile App für mobile Endgeräte: Tippen Sie auf das **Settings**-Symbol und dann auf **End User License Agreement**.

Videobar Configuration App oder Web-UI: Klicken Sie auf das **Settings**-Symbol und dann auf **End User License Agreement**.

Videobar Administration App: Klicken Sie auf das Menü (☰) und dann auf **About Videobar Administration**. Klicken Sie anschließend auf **End User License Agreement**.

Die Bose Professional Datenschutzrichtlinie ist unter [boseprofessional.com](https://www.boseprofessional.com) verfügbar.

©2023 Transom Post OpCo LLC. Dieses Dokument darf ohne vorherige schriftliche Genehmigung weder ganz noch teilweise reproduziert, verändert, vertrieben oder in anderer Weise verwendet werden.

Bitte ausfüllen und aufbewahren.

Die Serien- und Modellnummern finden Sie auf der Rückseite des Produkts.

Seriennummer: _____

Modellnummer: _____

Garantiehinweise

Für dieses Produkt gilt eine eingeschränkte Garantie.

Einzelheiten zur Garantie finden Sie unter [boseprofessional.com/warranty](https://www.boseprofessional.com/warranty).

LIEFERUMFANG

Inhalt	10
--------------	----

EINRICHTUNG

Allgemeine Hinweise zur Einrichtung	12
Montage der VB1 auf einem Tisch, Sideboard oder in einem Regal	13
Wandmontage der VB1	14
Kamera-Abdeckung	19
Kabelverbindungen	20
Kabelmanagement	21

SOFTWARE-ANWENDUNGEN

Videobar Configuration App und Web-UI	24
Videobar Administration App	26
Videobar Mobile App	26

PRODUKTDDETAILS

Seiten	27
Vorderseite	27
Seite	28
Rückseite	29
Fernbedienung	30
Lichtleiste	31

BEDIENUNG

Eine Besprechung starten	34
Die Kamera anpassen.....	35
Die Kameraeinstellungen zurücksetzen.....	35
Den Schwenk- und Neigungswinkel anpassen.....	35
Den Zoom-Faktor anpassen	36
Ein Preset speichern und abrufen	36
Autoframing aktivieren/deaktivieren	37
Tonpegel verwalten.....	38
Lokale Audiowiedergabe.....	38
Besprechungs-Audio.....	38
Tonpegel anpassen	38
Bluetooth-fähige Geräte verwalten	39
Ein Bluetooth-fähiges Gerät mit der VB1 koppeln.....	39
Ein Bluetooth-fähiges Gerät von der VB1 trennen.....	39
Energiesparmodus	40

PFLEGE UND WARTUNG

Reinigung der VB1.....	41
Ersatzteile und Zubehör.....	41
Positionen der Seriennummer	41
Zurücksetzen auf Werkseinstellungen.....	42
Passwort vergessen	42
Software-Updates.....	42

FEHLERBEHEBUNG

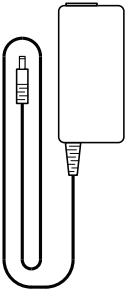
Mögliche Lösungen.....	43
------------------------	----

LIEFERUMFANG

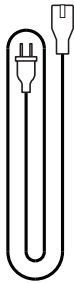
Inhalt



Videobar VB1



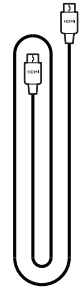
Stromversorgung



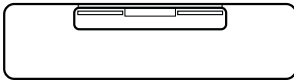
Netz kabel




USB Type-C®-Kabel

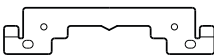


HDMI-Kabel



Tischstativ

A  Schrauben für Tischstativ (2)



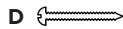
Wandhalterung



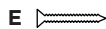
B Großer
Trockenbauwand-Dübel (4)



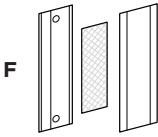
C Nagelschraube für
Trockenbauwand-Dübel



D Linsenschraube (2)



E Flachkopfschraube (2)



F

G  Kleiner Trockenbauwand-Dübel (2)

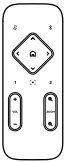
H  Kleine Flachkopfschraube (2)



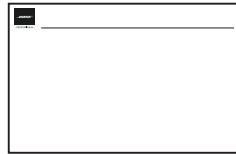
I

J  Kleiner Trockenbauwand-Dübel

K  Kleine Flachkopfschraube



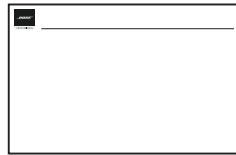
Fernbedienung



Kurzanleitung



AAA/LR03-Batterien (2)



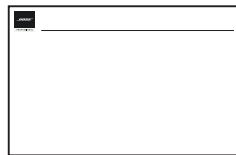
Tischmontage - Einrichtungsanleitung



Kamera-Abdeckung



Adapter von USB-C auf USB-A



Wandmontage - Einrichtungsanleitung



2-poliger Euroblock-Anschluss



Sicherheitsanweisungen

EINRICHTUNG

Allgemeine Hinweise zur Einrichtung

Stellen Sie die VB1 während des Gebrauchs nicht auf die Vorder-, Rück- oder Oberseite.

Platzieren Sie keine Gegenstände auf der VB1.

Die VB1 sollte nicht in der Nähe von Lüftungsschlitzen, Heizkörpern oder Radiatoren, Gebläsen oder anderen Lärm- oder Vibrationsquellen aufgestellt werden.

Um Interferenzen zu vermeiden, sollten andere Drahtlosgeräte **0,3-0,9 m** von der VB1 entfernt sein. Stellen Sie die VB1 nicht in oder in der Nähe von Metallschränken, anderen Audio-/Videokomponenten und direkten Wärmequellen auf.

Vergewissern Sie sich, dass sich eine Netzsteckdose in der Nähe befindet.

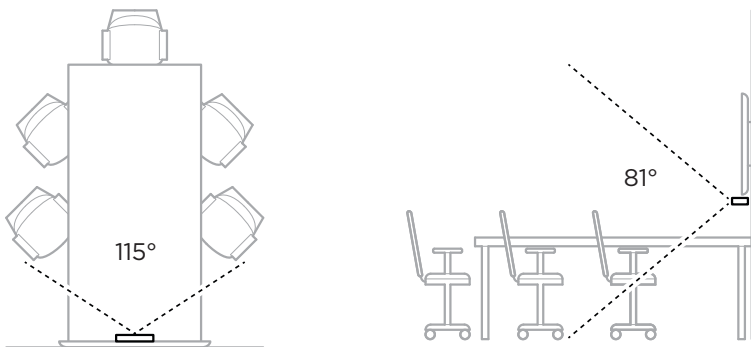
Stellen Sie die VB1 direkt unter (empfohlen) oder über Ihrem Fernsehgerät auf, sodass das Abdeckgitter in den Raum gerichtet ist.

Für eine optimale Klangqualität sollte die VB1 nicht in einem geschlossenen Schrank oder diagonal in einer Ecke aufgestellt werden.

Stellen Sie sicher, dass der Sitzbereich aller Besprechungsteilnehmer in das Sichtfeld der Kamera passt. Damit die Autoframing-Funktion richtig funktioniert, müssen sich alle Teilnehmer im Sichtfeld befinden (siehe **Autoframing aktivieren/deaktivieren (Seite 37)**).

Das Sichtfeld der VB1-Kamera beträgt horizontal 115° und vertikal 81° .

Achten Sie darauf, dass der Besprechungsraum während der Besprechung ausreichend beleuchtet werden kann.

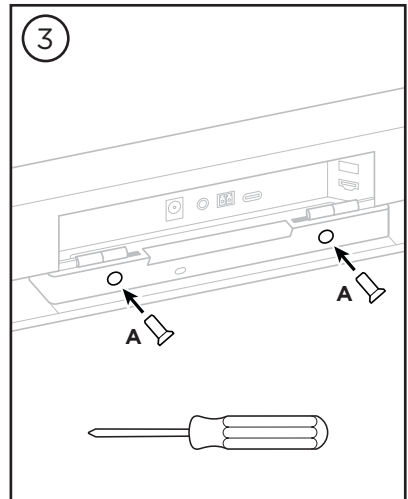
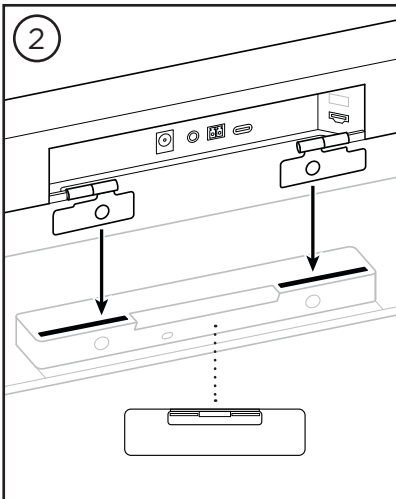
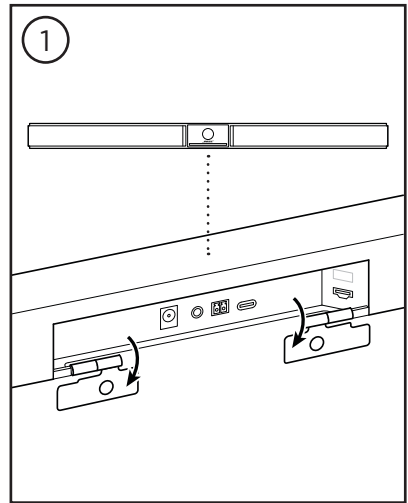
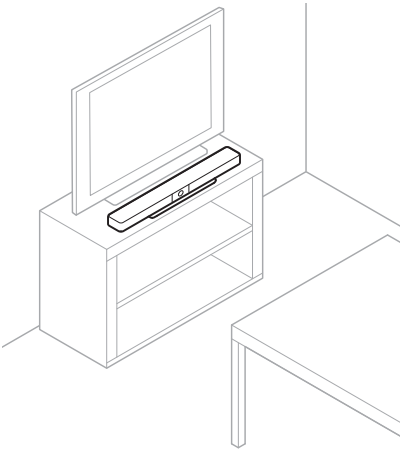


Montage der VB1 auf einem Tisch, Sideboard oder in einem Regal

Für die bestmögliche Klangqualität beim Aufstellen der VB1 auf einem Tisch, Sideboard, in einem Regal o. ä. wird Folgendes empfohlen:

Platzieren Sie die VB1 in ihrem Tischstativ auf einer stabilen, ebenen Fläche.

Richten Sie die Vorderseite der VB1 so aus, dass die Aufstellfläche nicht von der Kamera erfasst wird. Achten Sie darauf, dass der Besprechungsraum während der Besprechung ausreichend beleuchtet werden kann.



Wandmontage der VB1

Für die bestmögliche Klangqualität wird bei der Wandmontage der VB1 Folgendes empfohlen:

Achten Sie darauf, dass an der vorgesehenen Stelle für die Wandhalterung genug Platz um die Wandhalterung bleibt, damit die VB1 angebracht werden kann:

Oberhalb der Wandhalterung müssen noch mindestens **3,8 cm** Platz sein. Das ist erforderlich, damit Sie die VB1 in die Wandhalterung „einhängen“ (Schritt 7) und den Winkel anpassen können. Außerdem haben Sie so genug Platz, um auf die Anschlussbuchsen an der Rückseite der VB1 zuzugreifen.

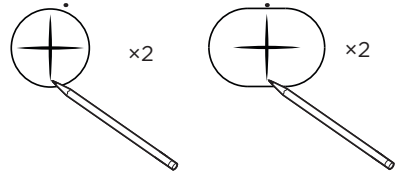
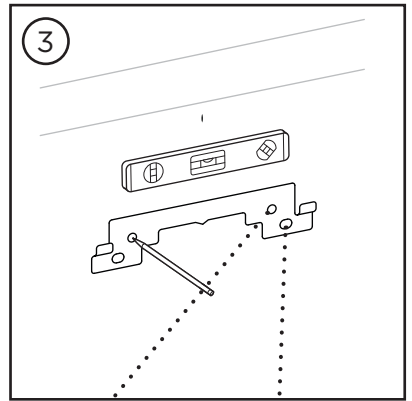
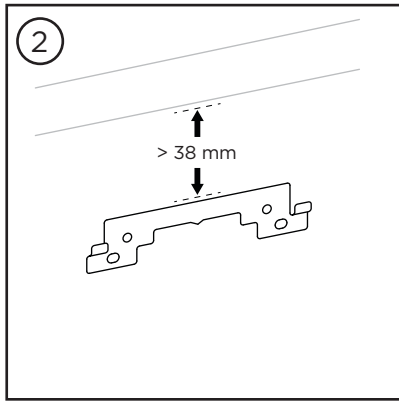
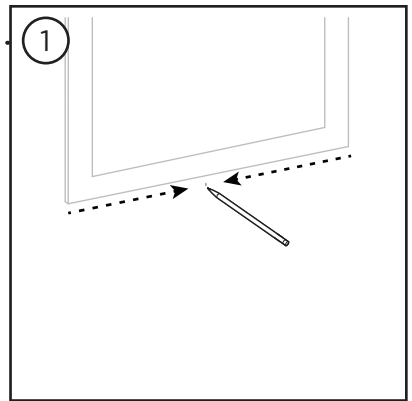
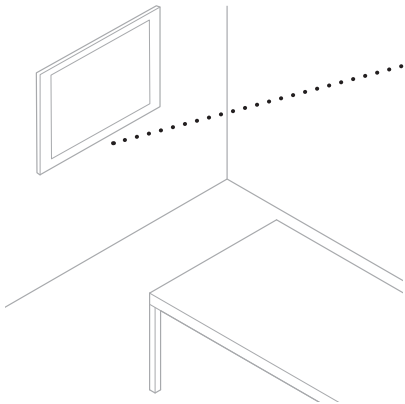
Unterhalb der Wandhalterung müssen noch mindestens **11,4 cm** Platz sein. Das ist erforderlich, damit Sie die VB1 während der Installation vertikal in die Wandhalterung einhängen können, um die Kabel anzuschließen und den Winkel anzupassen.

Die Stelle muss mindestens **73,7 cm** breit sein, wobei die Wandhalterung mittig angebracht wird. Das ist nötig, damit die VB1 hineinpasst und Sie noch Platz haben, um auf den Akustik-Port und die Bedienelemente an den Seiten der VB1 zuzugreifen (an jeder Seite sollten **2,5 cm** Platz sein).

Für die Montage des Produktes sind nur die mitgelieferten Hilfsmittel zugelassen.

Hinweis: Es sind zusätzliche Werkzeuge erforderlich.

Hinweis: Bitte lesen Sie die beiliegenden Wichtigen Sicherheitshinweise, bevor Sie fortfahren.



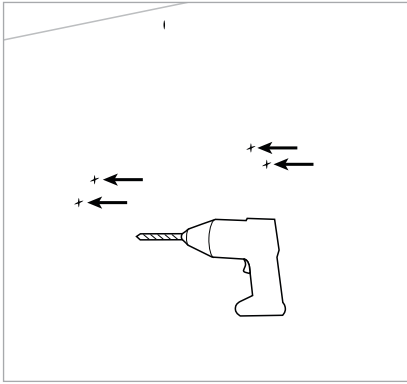
4

WARNHINWEIS:



Bei der Montage ist auf eine tragfähige Oberfläche zu achten, in deren Nähe sich keine Einrichtungen wie strom- oder wasserführende Leitungen befinden. Bei Fragen wenden Sie sich bitte an einen fachkundigen Monteur.

Das mitgelieferte Montagematerial ist nicht für Mauerwerk-Oberflächen geeignet.

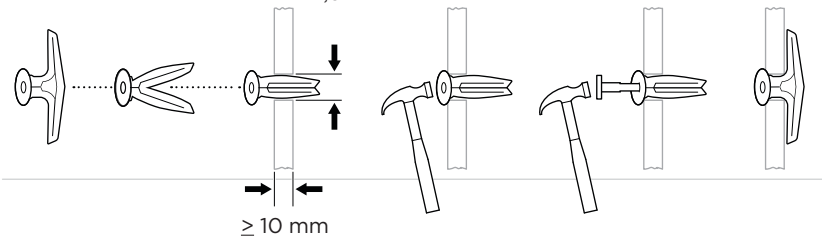


Gipskartonplatte
7,9 mm

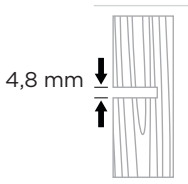
**Holzständerwand/
Metallständerwand**
4,8 mm

Gipskartonplatten

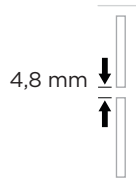
7,9 mm

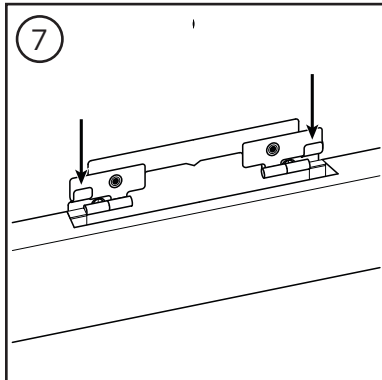
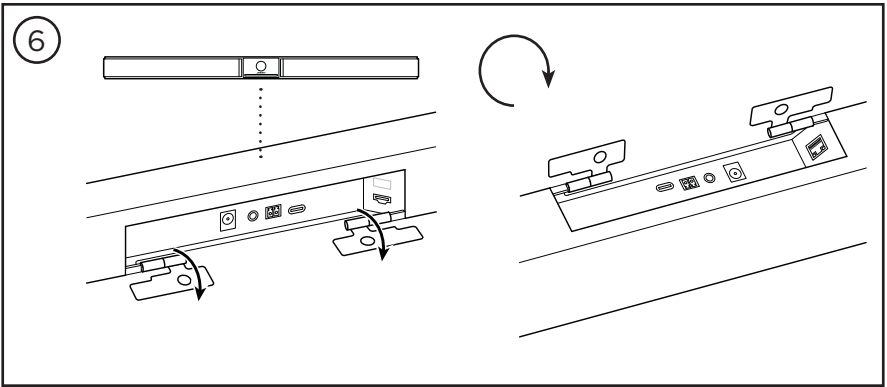
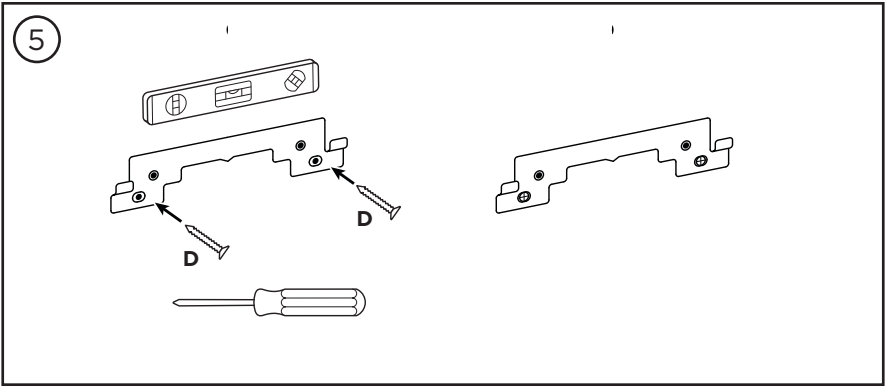


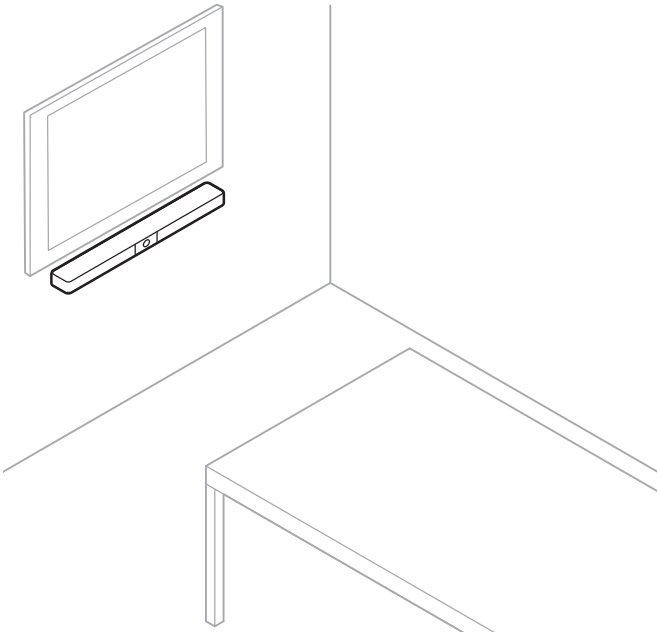
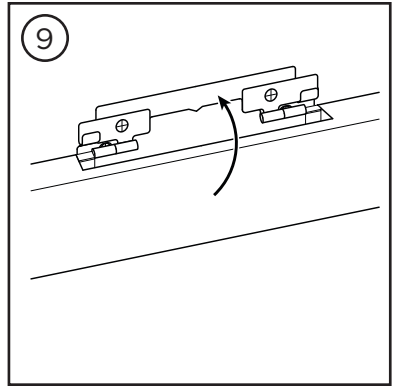
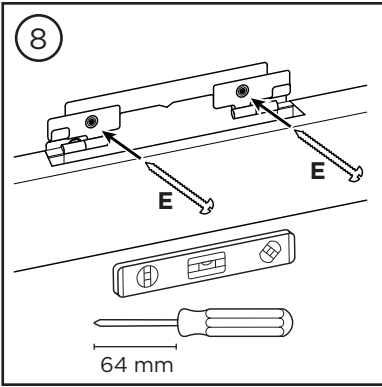
Holzständerwand



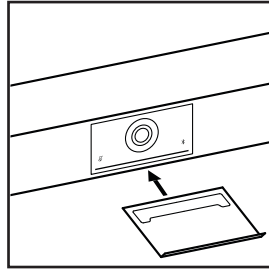
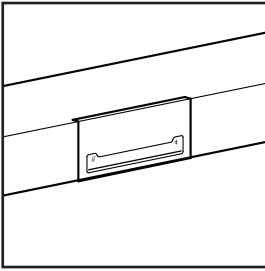
Metallständerwand







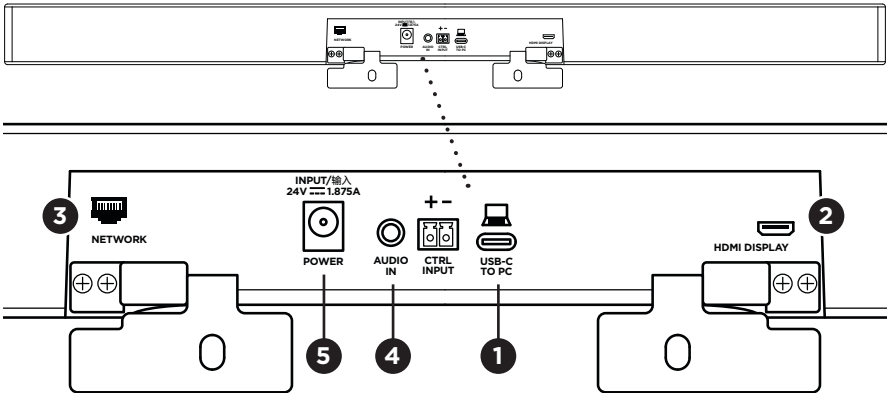
Kamera-Abdeckung



Mit der mitgelieferten Kamera-Abdeckung können Sie das Sichtfeld der Kamera vollständig abdecken, ohne die Anzeigen und die Lichtleiste zu verdecken.

Die Abdeckung ist magnetisch und bleibt an Ort und Stelle, wenn sie wie abgebildet am Objektiv der VB1 angebracht wird. Wenn sie nicht verwendet wird, kann die Abdeckung an der Bodenfläche unter dem Objektiv befestigt werden.

Kabelverbindungen



1. Schließen Sie das mitgelieferte USB-C®-Kabel an den **USB-C**-Port an.
Legen Sie das andere Ende dieses Kabels auf den Tisch, damit es während einer Besprechung problemlos an den Host-Computer angeschlossen werden kann.
Hinweis: Wenn ein Computer nur über USB-A-Ports verfügt, schließen Sie den mitgelieferten Adapter von USB-C auf USB-A an das für den Computer vorgesehene Ende des USB-Kabels an.
2. **Optional:** Verbinden Sie den **HDMI Display**-Port mithilfe des mitgelieferten HDMI-Kabels mit einem HDMI-Port an einem Videodisplay oder einem Monitor.
Hinweis: Damit die HDMI-Ausgabe funktioniert, muss auf dem Host-Computer der neueste DisplayLink®-Treiber installiert sein, und bei der VB1 muss DisplayLink aktiviert werden (diese Einstellung ist standardmäßig deaktiviert). Den neuesten Treiber können Sie auf displaylink.com/downloads herunterladen. Um DisplayLink zu aktivieren oder deaktivieren, verwenden Sie die Videobar Configuration App oder Web-UI oder die Videobar Administration App (siehe **Software-Anwendungen (Seite 23)**).
3. **Optional:** Wenn Sie die VB1 in einem Netzwerk verwenden, verbinden Sie den **Network**-Port mithilfe eines CAT-5-Kabels (separat erhältlich) mit einem LAN-Anschluss, einem Netzwerk-Switch o. Ä.
4. **Optional:** Für AUX-Audio von einem analogen Audioausgang an einem Display schließen Sie ein 3,5 mm-Stereokabel (separat erhältlich) an die **Audio In**-Buchse an.

Die Steckerbelegung ist:

1. Spitze = Audio links ein
2. Ring = Audio rechts ein
3. Buchse/Ring 2 = Masse



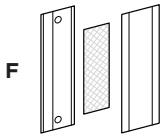
5. Verbinden Sie das mitgelieferte Netzteil mit dem Netzeingang (**Power**).
6. Schließen Sie das Netzteil mithilfe des mitgelieferten Netzkabels an eine Steckdose an. Sobald sie an eine Steckdose angeschlossen ist, schaltet sich die VB1 automatisch ein.

Zum Konfigurieren der Videobar VB1 für einen optimalen Klang stehen Ihnen verschiedene Softwareanwendungen zur Verfügung. Weitere Informationen finden Sie unter **Software-Anwendungen (Seite 23)**.

Wenn Sie einen USB-Extender benötigen, finden Sie auf boseprofessional.com/VB1 eine Liste mit USB-Extendern von Drittanbietern, die für die VB1 geeignet sind.

Kabelmanagement

Die mitgelieferte Kabelmanagement-Abdeckung dient dazu, alle dauerhaften Verkabelungen an einer Wand zu fixieren.



G  Kleiner Trockenbauwand-Dübel (2)

H  Kleine Flachkopfschraube (2)

Um die Kabelmanagement-Abdeckung anzubringen, gehen Sie wie folgt vor:

1. Halten Sie die Rückseite der Abdeckung (**F**) (das Teil mit den Schraubenlöchern) an die vorgesehene Stelle an der Wand.
2. Markieren Sie die Position der Schraubenlöcher an der Wand und entfernen Sie die Rückseite der Kabelabdeckung.
3. Wenn sich hinter diesem Teil der Wand Ständerwerk befindet, bohren Sie zwei **2,4 mm** tiefe Löcher in die Wand.
Wenn sich hinter diesem Teil der Wand kein Ständerwerk befindet, bohren Sie zwei **5 mm** tiefe Löcher in die Wand.
4. Wenn sich hinter diesem Teil der Wand kein Ständerwerk befindet, schlagen Sie zwei kleine Trockenbauwand-Dübel (**G**) in die Wand.
5. Richten Sie die Rückseite der Kabelabdeckung (**F**) mit den Bohrlöchern aus.
6. Schrauben Sie die beiden kleinen Flachkopfschrauben (**H**) in die Rückseite der Kabelabdeckung, um sie an der Wand zu befestigen.
7. Fassen Sie die Kabel zusammen und legen Sie sie in die „Führung“ an der Rückseite der Kabelabdeckung (an der Wand).
8. Entfernen Sie den Klebestreifen vom Schaumstoff der Kabelabdeckung (**F**).
9. Drücken Sie den Schaumstoffstreifen fest an die Rückseite der Kabelabdeckung neben den zusammengefassten Kabeln.
10. Bringen Sie die Vorderseite der Kabelabdeckung (**F**) über den zusammengefassten Kabeln und dem Schaumstoff an, sodass sie festklebt.



J Kleiner Trockenbauwand-Dübel

K Kleine Flachkopfschraube

Um das Netzkabel an der Wand zu befestigen, gehen Sie wie folgt vor:

1. Legen Sie die Stelle an der Wand fest, an der Sie das Netzkabel befestigen möchten.
2. Markieren Sie ein Bohrloch an der Wand.
3. Wenn sich hinter diesem Teil der Wand Ständerwerk befindet, bohren Sie ein **2,4 mm** tiefes Loch in die Wand.
Wenn sich hinter diesem Teil der Wand kein Ständerwerk befindet, bohren Sie ein **5 mm** tiefes Loch in die Wand.
4. Wenn sich hinter diesem Teil der Wand kein Ständerwerk befindet, schlagen Sie den kleinen Trockenbauwand-Dübel (**J**) in die Wand.
5. Richten Sie die Öse des Kabelbinders (**I**) mit dem Bohrloch aus.
6. Schrauben Sie die kleine Flachkopfschraube (**K**) in die Öse des Kabelbinders, um ihn an der Wand zu fixieren.

SOFTWARE-ANWENDUNGEN

Sie können Ihre Videobar VB1 mit drei Softwareanwendungen konfigurieren:

Nutzen Sie die Videobar Configuration Software für Windows, macOS oder über einen Webbrowser für die Einrichtung und Konfiguration des Geräts.

Funktionen:

Kamerasteuerung: Schwenk- und Neigungswinkel, Zoomen und Zoomvoreinstellungen sowie Autoframing

Passwortgeschützte Verwaltung und Konfiguration

Installieren von Firmware-Updates, Erstellung und Anwendung von Konfigurationsprofilen, Aktivierung oder Deaktivierung der HDMI-Ausgabe (DisplayLink), Anpassung von Netzwerk-, *Bluetooth*- und erweiterten Kameraeinstellungen usw.

Sendet eine Benachrichtigung, wenn ein Software-Update für ein Videobar Gerät verfügbar ist

Für Windows, macOS oder über einen Webbrowser verfügbar, sodass alle Funktionen der Desktop-Software über eine Netzwerkverbindung bereitgestellt werden

Mit der Videobar Administration Software können Sie die Geräte aus der Ferne verwalten, Anpassungen auf Einzelgeräten oder unternehmensweit auf mehreren Geräten vornehmen und den Gerätestatus in Echtzeit anzeigen.

Funktionen:

Zeigt den Gerätestatus an und ermöglicht die Steuerung wichtiger Funktionen für alle Bose Professional Videobar Geräte von einem Standort aus

Ermöglicht die Planung von Firmware-Updates für alle oder ausgewählte Geräte

Parameter können nach Gerät oder Gerätegruppe angezeigt, bearbeitet und gespeichert werden

Ermittelt alle Geräte über das Netzwerk; Geräteprofile können erstellt, gespeichert und angewendet werden

Verfügbar für Windows

Mit der Videobar Mobile App für mobile Endgeräte kann jede Person im Raum die Steuerung der Videobar VB1 übernehmen, darunter die Anpassung der Lautstärke, Stummschaltung, Schwenk- und Neigungswinkel, Zoomen und Zoomvoreinstellungen sowie die Kopplung von *Bluetooth*-fähigen Geräten.

Funktionen:

Steuerung von Lautstärke, Stummschaltung, Schwenk- und Neigungswinkel, Zoomen und Zoomvoreinstellungen sowie *Bluetooth*-Kopplung über mobile Endgeräte

Nutzt *Bluetooth*-Kopplung für die Erkennung sowie die Kommunikation mit der Videobar VB1

Verfügbar für iOS und Android

Videobar Configuration App und Web-UI

Um die Videobar Configuration App auf Ihren Computer herunterzuladen und zu installieren, gehen Sie wie folgt vor:

1. Rufen Sie auf Ihrem Computer die Website **boseprofessional.com/VB1** auf.
2. Laden Sie die **Videobar Configuration Software** App herunter und installieren Sie sie.

Um Ihre VB1 mit der Videobar Configuration App zu konfigurieren, gehen Sie wie folgt vor:

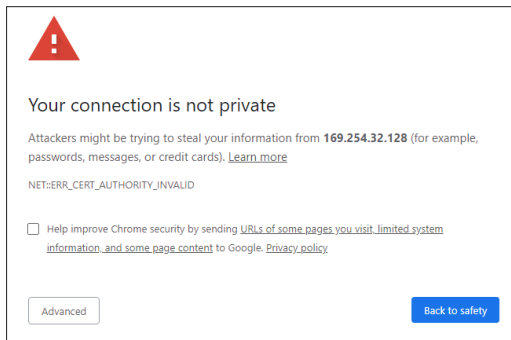
1. Schließen Sie Ihren Computer an den **USB-C**-Port an der VB1 an.
2. Öffnen Sie die **Videobar Configuration** App.
3. Um die Administrator-Konfigurationseinstellungen zum Konfigurieren der VB1 aufzurufen, klicken Sie im Navigationsbereich auf das **Administrator**-Symbol und geben das werkseitig voreingestellte Passwort ein: **Bose123!**

Hinweis: Es wird empfohlen, nach der erstmaligen Anmeldung das Passwort zu ändern.

Um die browserbasierte Web-UI der Videobar Configuration aufzurufen und zu nutzen und die VB1 über eine Netzwerkverbindung zu konfigurieren, gehen Sie wie folgt vor:

1. Verbinden Sie Ihren Computer und die VB1 mit demselben Netzwerk.
2. Geben Sie die IP-Adresse der VB1 in die Adressleiste eines Browsers auf Ihrem Computer ein und drücken Sie **Enter**. (Die IP-Adresse der VB1 können Sie mithilfe der Videobar Configuration App über USB herausfinden; oder Sie verwenden die Videobar Administration App, die alle im Netzwerk vorhandenen VB1 automatisch erkennt.) Die Web-UI der Videobar Configuration öffnet sich.

Hinweis: Bei einigen Browsern erscheint möglicherweise eine Sicherheitswarnung wie diese:



Das ist normal und stellt kein Sicherheitsrisiko dar. Klicken Sie auf **Advanced**. (Wenn Sie unsicher sind, ob Sie bestimmte Vorgänge auf Ihrem Computer, in einem Browser usw. ausführen sollen, sprechen Sie zunächst mit Ihrem IT-/Systemadministrator.)

Dann erscheint unter Umständen eine weitere Nachricht:

This server could not prove that it is **169.254.32.128**; its security certificate is not trusted by your computer's operating system. This may be caused by a misconfiguration or an attacker intercepting your connection.

[Proceed to 169.254.32.128 \(unsafe\)](#)

Das ist ebenfalls normal. Klicken Sie auf den Link **Proceed to...**, um zur Login-Seite der Videobar Configuration Web-UI zu gelangen.

Das werkseitig voreingestellte Administrator-Passwort lautet: **Bose123!**

Hinweis: Es wird empfohlen, nach der erstmaligen Anmeldung das Passwort zu ändern.

Um auf die Hilfedatei für die Videobar Configuration App oder Web-UI zuzugreifen, rufen Sie in der App oder Web-UI die **Settings**-Seite auf.

Videobar Administration App

Um die Videobar Administration Software herunterzuladen, gehen Sie wie folgt vor:

1. Rufen Sie auf Ihrem Computer die Website **boseprofessional.com/VB1** auf.
2. Laden Sie die **Videobar Administration** App herunter und installieren Sie sie.

Um eine oder mehrere VB1 über eine Netzwerkverbindung mit der Videobar Administration App zu konfigurieren, gehen Sie wie folgt vor:

1. Verbinden Sie Ihren Computer und jede VB1 mit demselben Netzwerk.
2. Öffnen Sie die **Videobar Administration** App.

Um auf die Hilfedatei für die Videobar Administration App zuzugreifen, rufen Sie in der App die Seite **About Videobar Administration** auf.

Videobar Mobile App

Mit der Videobar Mobile App können Sie die Videobar wie mit einer Fernbedienung ganz bequem von Ihrem mobilen Endgerät aus bedienen. Um die Videobar Mobile App herunterzuladen, gehen Sie wie folgt vor:

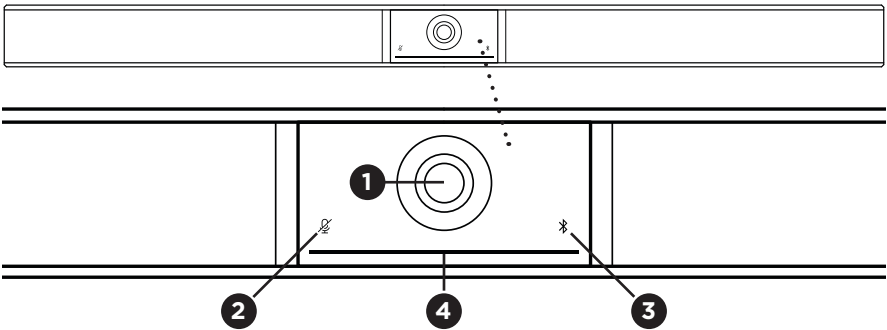
1. Suchen Sie die **Videobar Mobile** App im App StoreSM oder bei Google PlayTM und laden Sie sie herunter.
2. Öffnen Sie die App auf Ihrem Gerät und aktivieren Sie die Standortbestimmung.
3. Stellen Sie auf Ihrem mobilen Endgerät eine Verbindung zur **Videobar VB1** her.

Um auf die Hilfedatei für die Videobar Mobile App zuzugreifen, rufen Sie in der App die **Settings**-Seite auf.

PRODUKTDDETAILS

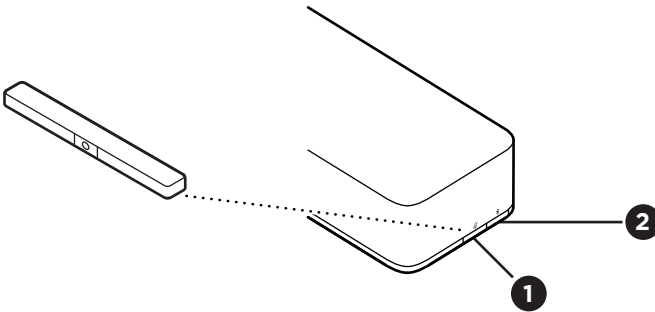
Seiten

Vorderseite



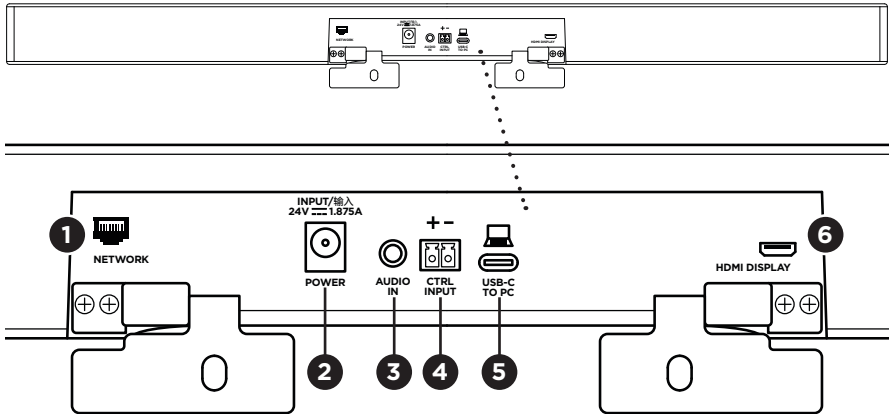
1. **Kamera**
2. **Mute-Anzeige:** Dieses Licht leuchtet rot, wenn die Mikrofone ausgeschaltet sind.
3. **Bluetooth-Anzeige:** Dieses Licht zeigt den aktuellen *Bluetooth*-Konnektivitätsstatus der VB1 an:
 - Blinkt langsam blau:** Die VB1 ist zum Koppeln mit einem *Bluetooth*-fähigen mobilen Endgerät bereit.
 - Weißes Leuchten:** Die VB1 ist mit der Videobar Mobile App oder einem mobilen Endgerät für Anrufe und Medienübertragungen verbunden.
 - Aus:** Keine *Bluetooth*-Konnektivität.
4. **Lichtleiste:** Mehr darüber erfahren Sie unter **Lichtleiste (Seite 31)**.

Seite



1. **Mute-Taste:** Drücken Sie diese Taste, um die Mikrofone der VB1 stummzuschalten oder die Stummschaltung aufzuheben.
2. **Bluetooth-Taste:** Halten Sie diese Taste gedrückt, um den Kopplungsmodus aufzurufen.

Rückseite



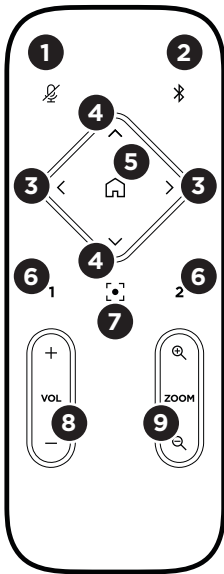
- 1. Network:** Über diesen RJ45-Anschluss mit 1 Gbit/s können Sie die Konfiguration oder Überwachung vornehmen. (Dieser Port befindet sich an der Innenseite der Rückseite.)
- 2. Power:** Zum Anschließen des mitgelieferten Netzteils.
- 3. Audio In:** Über diese Buchse können Sie mit einem 3,5 mm-Stereokabel (separat erhältlich) eine optionale Audioquelle, z. B. den Audioausgang eines verbundenen Monitors oder Displays, anschließen.
- 4. Ctrl Input:** Verwenden Sie diesen Port zur Mute-Überbrückung mithilfe des mitgelieferten 2-poligen Euroblock-Steckers. Dieser Eingang ist standardmäßig aktiv low und enthält einen internen Pullup.
- 5. USB-C:** An diesen Port wird der Host-Computer für eine Besprechung angeschlossen.
- 6. HDMI Display:** Über diesen Port können Sie mithilfe des mitgelieferten HDMI-Kabels ein Display anschließen. (Dieser Port befindet sich an der Innenseite der Rückseite.)

Hinweis: Damit die HDMI-Ausgabe funktioniert, muss auf dem Host-Computer der neueste DisplayLink®-Treiber installiert sein, und bei der VB1 muss DisplayLink aktiviert werden (diese Einstellung ist standardmäßig deaktiviert). Den neuesten Treiber können Sie auf displaylink.com/downloads herunterladen. Um DisplayLink zu aktivieren oder deaktivieren, verwenden Sie die Videobar Configuration App oder Web-UI oder die Videobar Administration App (siehe **Software-Anwendungen (Seite 23)**).

Fernbedienung

Die Videobar VB1 beinhaltet eine Infrarot-Fernbedienung, mit der Sie die Kamera- und Lautstärkeeinstellungen anpassen, die Mikrofone stummschalten und den *Bluetooth*-Kopplungsmodus der VB1 aktivieren können.

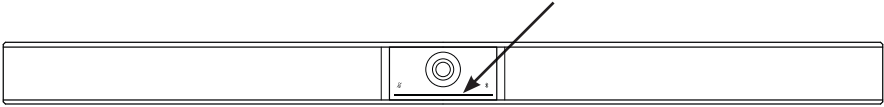
Hinweis: Sämtliche Funktionen der Fernbedienung sind auch in den Software-Apps zur Konfiguration der Videobar VB1 verfügbar. Weitere Informationen finden Sie unter **Software-Anwendungen (Seite 23)**.



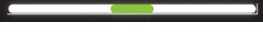













1. **Mute:** Drücken Sie diese Taste, um die Mikrofone der VB1 stummschalten oder die Stummschaltung aufzuheben.
2. **Bluetooth:** Halten Sie diese Taste 3 Sekunden lang gedrückt, um den Kopplungsmodus aufzurufen. Wenn die VB1 bereits mit einem Gerät gekoppelt ist, halten Sie diese Taste gedrückt, um die Verbindung zu trennen.
3. **Kamera schwenken:** Drücken Sie diese Taste, um die Kamera nach links (<) oder rechts (>) zu schwenken, oder halten Sie die Taste gedrückt für eine kontinuierliche Anpassung.
4. **Kamera neigen:** Drücken Sie diese Taste, um die Kamera nach oben (^) oder unten (v) zu neigen, oder halten Sie die Taste gedrückt für eine kontinuierliche Anpassung.
5. **Ausgangsposition-Preset:** Mit dieser Taste werden die Kameraeinstellungen für Schwenk- und Neigungswinkel und Zoom (PTZ) wieder in die Ausgangsposition zurückgesetzt. Die Ausgangsposition kann in der Videobar Configuration App verändert werden.
6. **Presets 1 und 2:** Mit diesen Tasten können Sie die Presets 1 oder 2 für die Kamera aufrufen. Halten Sie die jeweilige Taste gedrückt, um die aktuellen Kameraeinstellungen für Schwenk- und Neigungswinkel und Zoom (PTZ) als Preset 1 oder 2 abzuspeichern.
7. **Autoframe:** Zum Ein- und Ausschalten der Autoframing-Funktion. Wenn diese Funktion eingeschaltet ist, werden die Kameraeinstellungen für Schwenk- und Neigungswinkel und Zoom (PTZ) automatisch so angepasst, dass sich alle Teilnehmer jederzeit im Sichtfeld der Kamera befinden.
8. **Lautstärke:** Mit dieser Taste erhöhen (+) oder verringern (-) Sie die Lautstärke.
9. **Kamera-Zoom:** Mit dieser Taste vergrößern (+) oder verkleinern (-) Sie den Zoom-Faktor der Kamera.



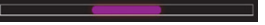
Lichtleiste

Die Lichtleiste befindet sich unter der Kamera der VB1.



Ansicht	Vorgang	Systemzustand
	Ein Lichtabschnitt in der Mitte der Lichtleiste leuchtet dauerhaft weiß.	Das System ist eingeschaltet und betriebsbereit.
	Die gesamte Lichtleiste leuchtet dauerhaft weiß.	Eine Besprechung läuft. Die Kamera ist ausgeschaltet.
	Das Licht in der Mitte leuchtet dauerhaft grün, die Lichter links und rechts davon leuchten dauerhaft weiß.	Eine Besprechung läuft. Die Kamera ist eingeschaltet, die Autoframing-Funktion ist ausgeschaltet.
	Ein Lichtabschnitt in der Mitte der Lichtleiste leuchtet dauerhaft grün, die Lichter links und rechts davon leuchten dauerhaft weiß.	Eine Besprechung läuft. Die Kamera ist eingeschaltet, und die Autoframing-Funktion ist aktiviert.
	Ein Lichtabschnitt in der Mitte der Lichtleiste leuchtet dauerhaft grün.	Die Kamera ist eingeschaltet. Es gibt keine aktive Besprechung.
	Das Licht ganz links an der Lichtleiste blinkt einmal auf (weiß/ein, wenn es keine aktive Schaltung gibt; aus, wenn eine Schaltung aktiv ist).	Die Lautstärke wurde um eine Stufe reduziert.
	Das Licht ganz rechts an der Lichtleiste blinkt einmal auf (weiß/ein, wenn es keine aktive Schaltung gibt; aus, wenn eine Schaltung aktiv ist).	Die Lautstärke wurde um eine Stufe erhöht.

Ansicht	Vorgang	Systemzustand
	<p>Ein kurzer Lichtabschnitt ganz links an der Lichtleiste blinkt einmal auf (weiß/ein, wenn es keine aktive Schaltung gibt; aus, wenn eine Schaltung aktiv ist).</p>	<p>Die Lautstärke wurde auf die niedrigste Stufe gestellt.</p>
	<p>Ein kurzer Lichtabschnitt ganz rechts an der Lichtleiste blinkt einmal auf (weiß/ein, wenn es keine aktive Schaltung gibt; aus, wenn eine Schaltung aktiv ist).</p>	<p>Die Lautstärke wurde auf die höchste Stufe gestellt.</p>
	<p>Ein Lichtabschnitt in der Mitte der Lichtleiste blinkt schnell weiß.</p>	<p>Die VB1 sucht nach einem WLAN-Netzwerk.</p>
	<p>Ein Lichtabschnitt in der Mitte der Lichtleiste leuchtet einmal weiß auf und verblasst dann.</p>	<p>Die VB1 hat sich mit einem WLAN-Netzwerk verbunden. Das bedeutet auch, dass die VB1 eine neue Audioquelle erkannt hat, die mit dem Host-USB-Port oder Audio In verbunden ist.</p>
	<p>Ein Lichtabschnitt in der Mitte der Lichtleiste leuchtet dauerhaft rot.</p>	<p>Die Funktion der VB1 ist aufgrund eines Firmware-/Software-Problems beeinträchtigt. Wenden Sie sich bitte an den technischen Support von Bose Professional.</p>
	<p>Ein Lichtabschnitt in der Mitte der Lichtleiste blinkt gelb.</p>	<p>Die Funktion der VB1 ist aufgrund eines Verbindungsfehlers beeinträchtigt. Stellen Sie sicher, dass die VB1 mit einem Netzwerk verbunden ist.</p>
	<p>Ein weißer Lichtabschnitt bewegt sich zwischen dem linken und dem rechten Ende der Lichtleiste hin und her.</p>	<p>Die VB1 lädt ein Firmware-Update herunter und installiert es. Die VB1 darf jetzt nicht vom Stromnetz oder Netzwerk getrennt werden. Wenn das Update abgeschlossen ist, hält der Lichtabschnitt an und ein Ton ertönt.</p>

Ansicht	Vorgang	Systemzustand
	<p>Ein Lichtabschnitt in der Mitte der Lichtleiste pulsiert weiß. Anschließend erstreckt sich der Lichtabschnitt immer weiter nach links und rechts, bis die gesamte Lichtleiste dauerhaft weiß leuchtet. Das Licht geht nach dem gleichen Muster aus.</p>	<p>Die VB1 führt nach einem Zurücksetzen auf ihre Werkseinstellungen einen Neustart durch.</p>
	<p>Ein Lichtabschnitt in der Mitte der Lichtleiste pulsiert weiß.</p>	<p>Die VB1 führt nach einem Stromausfall einen Neustart durch.</p>
	<p>Ein Lichtabschnitt in der Mitte der Lichtleiste pulsiert violett.</p>	<p>Die Videobar Administration App sendet eine „Gerät identifizieren“-Botschaft an die VB1.</p>

BEDIENUNG

Eine Besprechung starten

Hinweis: Damit die HDMI-Ausgabe funktioniert, muss auf dem Host-Computer der neueste DisplayLink®-Treiber installiert sein, und bei der VB1 muss DisplayLink aktiviert werden (diese Einstellung ist standardmäßig deaktiviert). Den neuesten Treiber können Sie auf displaylink.com/downloads herunterladen. Um DisplayLink zu aktivieren oder deaktivieren, verwenden Sie die Videobar Configuration App oder Web-UI oder die Videobar Administration App (siehe **Software-Anwendungen (Seite 23)**).

Um eine Besprechung mit der VB1 zu starten, gehen Sie wie folgt vor:

1. Verbinden Sie die VB1 mithilfe des mitgelieferten USB-Kabels mit Ihrem Computer. Verwenden Sie bei Bedarf den mitgelieferten Adapter von USB-C auf USB-A.
2. Starten Sie die Besprechung in Ihrer gewohnten Meeting-Software.
3. Rufen Sie die Geräteeinstellungen Ihrer Meeting-Software auf und wählen Sie die **Videobar VB1** als Gerät für Mikrofon, Lautsprecher und Kamera aus.

So verwenden Sie die VB1 bei einem Anruf als Freisprechgerät:

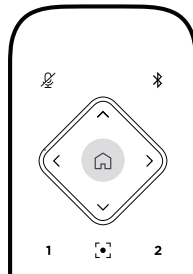
1. Drücken Sie die **Bluetooth**-Taste an der Seite der VB1 (oder halten Sie die **Bluetooth**-Taste auf der Fernbedienung 3 Sekunden lang gedrückt), um die VB1 in den Kopplungsmodus zu versetzen.
2. Suchen Sie auf Ihrem mobilen Endgerät nach verfügbaren **Bluetooth**-fähigen Geräten und wählen Sie die VB1 aus.
3. Tätigen Sie einen Anruf mit Ihrem mobilen Endgerät. Der Ton wird automatisch von Ihrem mobilen Endgerät an die Lautsprecher und Mikrofone der VB1 weitergeleitet.

Die Kamera anpassen

Hinweis: Sämtliche Funktionen der Fernbedienung sind auch in den Software-Apps zur Konfiguration der Videobar VB1 verfügbar. Weitere Informationen finden Sie unter **Software-Anwendungen (Seite 23)**.

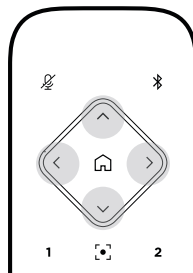
Tipp: Es wird empfohlen, die Kameraeinstellungen schnell und einfach über die Videobar Mobile App auf Ihrem mobilen Endgerät zu ändern. Siehe **Videobar Mobile App (Seite 26)**.

Die Kameraeinstellungen zurücksetzen



Wenn Sie die Kamera auf ihre standardmäßigen Einstellungen für Schwenk- und Neigungswinkel und Zoom zurücksetzen möchten, drücken Sie die **Home**-Taste auf der Fernbedienung.

Den Schwenk- und Neigungswinkel anpassen



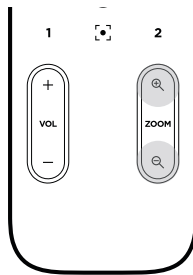
Hinweis: Sie können den Schwenk- und Neigungswinkel nur anpassen, wenn die Kamera nicht vollständig herausgezoomt ist.

Wenn Sie den Schwenkwinkel (links – rechts) der Kamera anpassen möchten, drücken Sie die entsprechende Schwenktaste für die Kamera (< oder >) auf der Fernbedienung.

Wenn Sie den Neigungswinkel (oben – unten) der Kamera anpassen möchten, drücken Sie die entsprechende Neigungstaste für die Kamera (▲ oder ▼) auf der Fernbedienung.

Drücken Sie die entsprechende Taste einmal, um die Kamera schrittweise zu verstellen, und halten Sie sie gedrückt, wenn Sie eine kontinuierliche Anpassung vornehmen möchten.

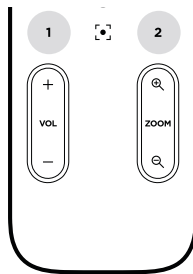
Den Zoom-Faktor anpassen



Wenn Sie den Zoom-Faktor der Kamera anpassen möchten, drücken Sie die entsprechende **Zoom**-Taste (+ oder -) auf der Fernbedienung.

Drücken Sie die entsprechende Taste einmal, um die Kamera schrittweise zu verstellen, und halten Sie sie gedrückt, wenn Sie eine kontinuierliche Anpassung vornehmen möchten.

Ein Preset speichern und abrufen



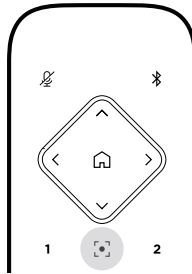
Die Kameraeinstellungen für Schwenk- und Neigungswinkel und Zoom können Sie als Preset speichern: Preset 1 oder Preset 2. Wenn Sie ein gespeichertes Preset abrufen, wird die Kamera sofort in die gespeicherten Schwenk-, Neigungswinkel- und Zoom-Einstellungen versetzt.

So speichern Sie ein Preset:

1. Stellen Sie den Schwenk- und Neigungswinkel und den Zoom-Faktor wie gewünscht ein.
2. Halten Sie die Taste des gewünschten Preset auf der Fernbedienung (**Preset 1** oder **Preset 2**) 3 Sekunden lang gedrückt. Die Kameraeinstellungen werden auf diesem Preset gespeichert.

Um ein gespeichertes Preset abzurufen, drücken Sie die gewünschte Preset-Taste auf der Fernbedienung (**Preset 1** oder **Preset 2**). Die Kameraeinstellungen für Schwenk- und Neigungswinkel und Zoom werden sofort in die für dieses Preset gespeicherten Einstellungen abgeändert.

Autoframing aktivieren/deaktivieren



Um die Autoframing-Funktion der Kamera zu aktivieren oder deaktivieren, drücken Sie die **Autoframe**-Taste auf der Fernbedienung.

Wenn Autoframing aktiviert ist, passt die Kamera automatisch und fortlaufend den Schwenk- und Neigungswinkel sowie den Zoom-Faktor an, sodass sich alle Teilnehmer im Raum im Sichtfeld der Kamera befinden.

Hinweis: Wenn Sie den Schwenk- oder Neigungswinkel oder den Zoom-Faktor manuell anpassen oder die Taste **Home**, **Preset 1** oder **Preset 2** drücken, wird die Autoframing-Funktion automatisch deaktiviert.

Wenn Autoframing deaktiviert ist, passen Sie die Kameraeinstellungen für Schwenk- und Neigungswinkel sowie Zoom (PTZ) manuell an.

Tonpegel verwalten

Die Videobar VB1 verfügt über vier Audioeingänge: ihre Mikrofone, USB-Audio, *Bluetooth*-Audio und den Analogeingang (**Audio In**-Buchse).

Darüber hinaus hat die VB1 drei Audioausgänge: ihre Lautsprecher, USB-Audio und *Bluetooth*-Audio.

Mit Ausnahme der **Audio In**-Buchse können die Pegel all dieser Signale in der Registerkarte **Meters** in der Videobar Configuration App/WebUI abgelesen werden.

Lokale Audiowiedergabe

Musik oder Ton über den USB- *Bluetooth*- oder Analogeingang werden über die VB1-Lautsprecher wiedergegeben. Diese Töne werden bei Besprechungen nicht an die Gegenseite weitergeleitet.

Besprechungs-Audio

Der VB1-Mikrofonton wird (über den USB-Ausgang) an die Gegenseite gesendet, nachdem er die akustische Echokompensation (AEC) durchlaufen hat.

Wenn die lokale Audiowiedergabe über den USB-Eingang gesendet wird, wird sie über die Lautsprecher der VB1 wiedergegeben. Die AEC-Funktion entfernt jedoch die Musik von der Audioaufnahme des VB1-Mikrofons, bevor sie an die Gegenseite gesendet wird.

Wenn Sie die lokale Audiowiedergabe an die Gegenseite senden möchten, teilen Sie die Audiowiedergabe-App in Ihrer Meeting-Software.

Tonpegel anpassen

Die VB1 hat zwei Lautstärkeregelungen: für die VB1-Lautsprecher und für die Verstärkung des Analogeingangs (**Audio In**).

Die Lautstärke der VB1-Lautsprecher können Sie mit den **Lautstärketasten +** oder **-** auf der Fernbedienung anpassen oder die Lautstärke des Host-Computers oder des *Bluetooth*-Geräts verändern. Diese drei Lautstärkepegel sind stets synchron. Wenn Sie also einen dieser Pegel anpassen, werden die anderen beiden ebenfalls abgeändert.

Hinweis: Sämtliche Funktionen der Fernbedienung sind auch in den Software-Apps zur Konfiguration der Videobar VB1 verfügbar. Weitere Informationen finden Sie unter **Software-Anwendungen (Seite 23)**.

Bei Bedarf können Sie die Analogeingang-Verstärkung (**Analog Input Gain**) anpassen, um das in die **Audio In**-Buchse gesendete Signal zu beschneiden, sodass es mit den Nominalpegeln des Host-Computers und des *Bluetooth*-Geräts übereinstimmt. Diese Anpassung können Sie in der Videobar Configuration App oder Web-UI oder in der Videobar Administration App vornehmen (siehe **Software-Anwendungen (Seite 23)**).

Bluetooth-fähige Geräte verwalten

Die VB1 kann immer nur mit jeweils einem *Bluetooth*-fähigen Gerät gekoppelt werden. Es ist zum Beispiel nicht möglich, die VB1 über die Videobar Mobile App mit einem Gerät und für Anrufe oder zur Audiowiedergabe mit einem anderen Gerät zu koppeln.

Ein *Bluetooth*-fähiges Gerät mit der VB1 koppeln

Die Videobar Mobile App koppelt Ihr *Bluetooth*-fähiges Gerät mithilfe von *Bluetooth* Low Energy (BLE) mit der VB1. Die App „findet“ automatisch alle VB1 in der Umgebung.

Um ein *Bluetooth*-fähiges Gerät über die Videobar Mobile App mit der VB1 zu koppeln, öffnen Sie die App und wählen Sie die gewünschte VB1 aus. Sobald die Verbindung hergestellt wurde, leuchtet die *Bluetooth*-Anzeige an der Vorderseite der VB1 durchgehend weiß. (Weitere Informationen finden Sie unter **Videobar Mobile App (Seite 26)**.)

Wenn Sie ein *Bluetooth*-fähiges Gerät für Anrufe oder zur Audiowiedergabe koppeln möchten, gehen Sie wie folgt vor:

1. Drücken Sie die **Bluetooth**-Taste an der Seite der VB1 (oder halten Sie die *Bluetooth*-Taste auf der Fernbedienung 3 Sekunden lang gedrückt), um die VB1 in den Kopplungsmodus zu versetzen. Die *Bluetooth*-Anzeige an der Vorderseite der VB1 blinkt blau.
2. Suchen Sie auf Ihrem *Bluetooth*-fähigen Gerät nach weiteren verfügbaren *Bluetooth*-fähigen Geräten und wählen Sie die VB1 aus. Sobald die Verbindung hergestellt wurde, leuchtet die *Bluetooth*-Anzeige an der Vorderseite der VB1 durchgehend weiß.

Ein *Bluetooth*-fähiges Gerät von der VB1 trennen

Die VB1 verbindet sich nicht automatisch erneut mit einem *Bluetooth*-fähigen Gerät, mit dem sie schon einmal gekoppelt war. Wenn die *Bluetooth*-Verbindung z. B. wegen einer zu großen Entfernung, mit Absicht oder durch das Koppeln eines anderen Geräts getrennt wurde, müssen Sie das Gerät erneut koppeln.

Wenn Sie ein *Bluetooth*-fähiges Gerät von der VB1 trennen möchten, haben Sie folgende Möglichkeiten:

Deaktivieren Sie die *Bluetooth*-Funktion auf Ihrem mobilen Endgerät.

Drücken Sie die **Bluetooth**-Taste an der Seite der VB1.

Halten Sie die **Bluetooth**-Taste auf der Fernbedienung 3 Sekunden lang gedrückt.

Energiesparmodus

In manchen Ländern ist es gesetzlich vorgeschrieben, dass Produkte wie die VB1 in einen Energiesparmodus übergehen, wenn sie gerade nicht verwendet werden. Diese Funktion der VB1 können Sie in der Videobar Configuration App oder Web-UI oder in der Videobar Administration App deaktivieren (oder erneut aktivieren) (siehe **Software-Anwendungen (Seite 23)**).

Der Energiesparmodus der VB1 umfasst sogar zwei Stufen: den **Standby**-Modus und den Modus **Standby mit niedrigem Energieverbrauch**.

Wenn der Energiesparmodus aktiviert ist, wechselt die VB1 nach 18 Minuten Inaktivität in den Standby-Modus. Nach 2 weiteren Stunden Inaktivität geht sie in den Modus „Standby mit niedrigem Energieverbrauch“ über. Die Lichtleiste an der Vorderseite der VB1 ist in beiden Stufen aus.

Wenn der Energiesparmodus deaktiviert ist, sind auch diese beiden Stufen deaktiviert.

Die VB1 kann durch bestimmte Handlungen oder Befehle am Wechsel in den Standby-Modus gehindert, aus dem Standby-Modus „aufgeweckt“ (wieder in den normalen Betriebszustand versetzt) oder aus dem Modus „Standby mit niedrigem Energieverbrauch“ „aufgeweckt“ (wieder in den normalen Betriebszustand versetzt) werden.

Handlung oder Befehl	Verhindert, dass die VB1 in den Standby-Modus übergeht.	„Erweckt“ die VB1 aus dem Standby-Modus.	„Erweckt“ die VB1 aus dem Modus „Standby mit niedrigem Energieverbrauch“.
Tastendruck	Mute- oder Bluetooth -Taste an der Seite der VB1	✓	✓
	Irgendeine Taste auf der Fernbedienung	✓	✓
USB	Ein Gerät an den USB-C -Port anschließen		✓
	Mitteilung von der Videobar Configuration App oder Web-UI	✓	
	Audiowiedergabe	✓	✓
Bluetooth	Aktive Verbindung	✓	✓
	Audiowiedergabe	✓	✓
WLAN oder Ethernet	Mitteilung von der Videobar Configuration App oder Web-UI	✓	✓
	Mitteilung von der Videobar Administration App	✓	✓
HDMI Display	Ein Computer ist mit dem HDMI Display -Port verbunden und DisplayLink ist aktiviert	✓	✓
Audio In	Audiowiedergabe	✓	✓

PFLEGE UND WARTUNG

Reinigung der VB1

Die VB1 sollte regelmäßig gereinigt werden.

Wischen Sie die äußeren Flächen mit einem weichen, trockenen Tuch ab.

Achten Sie darauf, dass keine Feuchtigkeit in das Abdeckgitter oder in irgendeinen der Kabelanschlüsse gelangt.

Ersatzteile und Zubehör

Ersatzteile und Zubehör können über den Bose Professional Kundendienst bestellt werden. Besuchen Sie **[boseprofessional.com](https://www.boseprofessional.com)**.

Eingeschränkte Garantie

Für die Videobar VB1 gilt eine eingeschränkte Garantie. Ausführlichere Informationen über die eingeschränkte Garantie finden Sie auf unserer Website unter **[boseprofessional.com/warranty](https://www.boseprofessional.com/warranty)**.

Positionen der Seriennummer

Die Serien- und Modellnummern finden Sie auf der Rückseite des Produkts.

Die Seriennummer können Sie auch in der Videobar Configuration App oder Web-UI oder in der Videobar Administration App einsehen (siehe **Software-Anwendungen (Seite 23)**).

Zurücksetzen auf Werkseinstellungen

Wenn Sie die VB1 auf ihre Werkseinstellungen zurücksetzen:

Wird die Liste der mit der VB1 gekoppelten *Bluetooth*-fähigen Geräte gelöscht.

Werden die Kamera-Presets (Preset 1 und Preset 2) gelöscht.

Werden alle Kamera-, Mikrofon- und Lautsprechereinstellungen auf ihre Standardwerte zurückgesetzt. (Viele dieser Einstellungen werden in der Videobar Configuration Software oder Videobar Administration Software konfiguriert.)

Wird das Administrator-Passwort zurückgesetzt auf **Bose123!**

Hinweis: Es wird empfohlen, das Passwort zu ändern, nachdem Sie die VB1 auf die Werkseinstellungen zurückgesetzt haben.

Wenn Sie alle Einstellungen der VB1 auf die Standardwerte zurücksetzen möchten, haben Sie folgende Möglichkeiten:

Halten Sie auf der Fernbedienung die Tasten **Home** und **Autoframe** gleichzeitig 5 Sekunden lang gedrückt.

Halten Sie an der Seite der VB1 die Tasten **Mute** und **Bluetooth** gleichzeitig 5 Sekunden lang gedrückt.

Ein kurzer Lichtabschnitt in der Mitte der Lichtleiste pulsiert weiß. Anschließend erstreckt sich der Lichtabschnitt immer weiter nach links und rechts, bis die gesamte Lichtleiste dauerhaft weiß leuchtet. Das Licht geht nach dem gleichen Muster aus. Nachdem dieser Vorgang abgeschlossen ist, startet die VB1 neu mit ihren Werkseinstellungen.

Passwort vergessen

Wenn Sie das Passwort für den Zugriff auf die Administrator-Konfigurationseinstellungen vergessen haben, müssen Sie die VB1 auf die Werkseinstellungen zurücksetzen, um das Passwort zurückzusetzen (siehe **Zurücksetzen auf Werkseinstellungen (Seite 42)**).

Hinweis: Es wird empfohlen, das Passwort zu ändern, nachdem Sie die VB1 auf die Werkseinstellungen zurückgesetzt haben.

Software-Updates

Mit der Videobar Configuration App und der Videobar Administration App können Sie nach Firmware-Updates für die VB1 suchen und diese installieren. Unter **Software-Anwendungen (Seite 23)** erfahren Sie, wie Sie diese Software-Apps herunterladen und nutzen können.

Wenn Sie die **Videobar Configuration Web-UI** zum Konfigurieren der VB1 verwenden, können Sie unter Umständen keine automatischen Firmware-Updates über den Server durchführen, wenn Ihr Computer nicht mit dem Internet verbunden ist.

Wenn Sie mit der Web-UI keine Firmware-Updates abrufen können, haben Sie stattdessen folgende Möglichkeiten:

Verwenden Sie die **Videobar Configuration App**.

Verwenden Sie die **Videobar Administration App**.

Laden Sie die Firmware-Datei direkt auf Ihren Computern herunter und verwenden Sie dann die **Videobar Configuration Web-UI**, um die Firmware wie eine vorherige Version zu aktualisieren.

FEHLERBEHEBUNG

Mögliche Lösungen

Wenn Probleme mit der VB1 auftreten, versuchen Sie zunächst die hier beschriebenen Lösungen:

Stellen Sie sicher, dass die VB1 an das Stromnetz angeschlossen ist.

Stellen Sie sicher, dass alle Kabel an der Rückseite fest angeschlossen sind. Siehe **Kabelverbindungen (Seite 20)**.

Überprüfen Sie die Statusanzeigen. Siehe **Vorderseite (Seite 27)**.

Vergewissern Sie sich, dass Ihr mobiles Endgerät *Bluetooth*-Verbindungen unterstützt.

Schauen Sie nach, ob es Software-Updates für die VB1 gibt. Siehe **Software-Updates (Seite 42)**.

Positionieren Sie Ihr *Bluetooth*-fähiges Gerät näher an der VB1 und weg von möglichen Störquellen.

Passen Sie die Lautstärke an der VB1, am *Bluetooth*-fähigen Gerät oder anderen Audioquellen an. Siehe **Tonpegel verwalten (Seite 38)**.

Wenn Sie das Problem nicht beheben konnten, finden Sie in der folgenden Tabelle Lösungsmöglichkeiten für die beschriebenen gängigen Probleme. Wenn Sie Ihr Problem nicht beheben können, wenden Sie sich an den Bose Professional Kundendienst. Weitere Informationen finden Sie auf **boseprofessional.com**.

Problem	Mögliche Lösung
Ich höre Musik, obwohl mein PC nicht angeschlossen ist.	Sehen Sie nach, ob die <i>Bluetooth</i> -Anzeige dauerhaft weiß leuchtet. Wenn ja, ist womöglich schon ein anderes <i>Bluetooth</i> -fähiges Gerät mit der VB1 gekoppelt. Drücken Sie die Bluetooth -Taste an der Seite der VB1, um die Verbindung zu trennen.
Der Ton ist zu leise oder gar nicht zu hören.	Möglicherweise ist die Lautstärke zu niedrig eingestellt. Erhöhen Sie die Lautstärke mithilfe: <ul style="list-style-type: none"> der VB1-Fernbedienung Ihres <i>Bluetooth</i>-Geräts (falls Sie eines verwenden) Ihrer Meeting-Software (Lautsprecherlautstärke) Wenn noch immer kein Ton zu hören ist, überprüfen Sie, ob in Ihrer Meeting-Software die Videobar VB1 als Lautsprecher ausgewählt ist.
Der Klang ist verzerrt.	Möglicherweise ist die Lautstärke zu hoch eingestellt. Reduzieren Sie die Lautstärke mithilfe: <ul style="list-style-type: none"> der VB1-Fernbedienung Ihres <i>Bluetooth</i>-Geräts (falls Sie eines verwenden) Ihrer Meeting-Software (Lautsprecherlautstärke)

Problem	Mögliche Lösung
Wenn ich die Lautstärke an meinem Computer anpasse, ändert sich die Lautstärke der VB1 nicht.	<p>Möglicherweise ist die VB1 auf Ihrem Computer nicht als Standardgerät für die Audiowiedergabe ausgewählt (selbst wenn Ihre Meeting-Software einwandfrei mit der VB1 funktioniert).</p> <p>Windows: Klicken Sie auf das Lautsprecher-Symbol unten rechts in der Taskleiste und wählen Sie die Videobar VB1 als Wiedergabegerät aus.</p> <p>macOS: Klicken Sie auf das Apple-Symbol oben links auf dem Bildschirm, wählen Sie Systemeinstellungen aus, klicken Sie auf Ton und dann auf Ausgabe. Wählen Sie die Videobar VB1 in der Geräteliste aus.</p>
Die Lautstärke meines Computers oder mobilen Endgeräts ändert sich plötzlich, wenn ich es mit der VB1 verbinde.	Das ist normal. Die VB1 synchronisiert automatisch die Lautstärke aller mit ihr verbundenen Geräte.
Die Videobar VB1 wird in meiner Meeting-Software nicht als Mikrofon, Lautsprecher oder Kamera aufgeführt.	<p>Geben Sie Ihrem Computer ungefähr 30 Sekunden Zeit, um die VB1 als Mikrofon-, Lautsprecher- und Kameragerät zu erkennen.</p> <p>Wenn das nicht hilft, versuchen Sie Folgendes:</p> <p>Stellen Sie sicher, dass das USB-Kabel fest an Ihren Computer angeschlossen ist.</p> <p>Probieren Sie es mit einem anderen USB-Port an Ihrem Computer.</p> <p>Stellen Sie sicher, dass die VB1 Strom erhält (d. h. dass das Netzkabel fest in der Steckdose steckt).</p> <p>Stellen Sie sicher, dass das USB-Kabel fest an den USB-C-Port an der Rückseite der VB1 angeschlossen ist.</p> <p>Probieren Sie es mit einem kürzeren USB-Kabel.</p>
In meiner Meeting-Software wird eine Mitteilung angezeigt, dass das Video nicht funktioniert oder nicht gestartet werden kann.	Das geschieht meist, wenn die Videobar Configuration App oder ein anderer Unified Communications Client bereits auf die Kamera zugreift und diese steuert. Schließen Sie die andere Anwendung, die die Videofunktion verwendet.
Wenn ich versuche, die VB1 mithilfe der Videobar Configuration Web-UI zu verbinden, erscheint in meinem Browser eine Sicherheitswarnung.	Das ist normal, da die VB1 kein auf einer dynamisch zugewiesenen IP-Adresse basierendes Sicherheitszertifikat bereitstellt. Weitere Anweisungen dazu finden Sie unter Videobar Configuration App und Web-UI (Seite 24) . (Wenn Sie unsicher sind, ob Sie bestimmte Vorgänge auf Ihrem Computer, in einem Browser usw. ausführen sollen, sprechen Sie zunächst mit Ihrem IT-/Systemadministrator.)


Problem	Mögliche Lösung
Auf dem zweiten Display (vom HDMI Display-Port) wird kein Videobild angezeigt.	<p>Versuchen Sie Folgendes:</p> <ul style="list-style-type: none"> Stellen Sie sicher, dass das Display eingeschaltet ist. Stellen Sie sicher, dass der an die VB1 angeschlossene HDMI-Port als Eingang/Quelle des Displays eingestellt ist. Vergewissern Sie sich, dass das HDMI-Kabel fest an die VB1 und das Display angeschlossen ist. Überprüfen Sie, ob der neueste DisplayLink-Treiber auf Ihrem Computer installiert ist (displaylink.com/downloads). Vergewissern Sie sich, dass in den Anzeigeeinstellungen Ihres Computers die Option „Desktop erweitern“ ausgewählt ist (nicht „spiegeln“ oder „duplizieren“). Stellen Sie sicher, dass DisplayLink in der Videobar Configuration Software aktiviert ist.
Mein Computer erkennt die VB1 als zweites Display, selbst wenn sie nicht an den HDMI Display-Port angeschlossen ist.	Vergewissern Sie sich, dass in den Anzeigeeinstellungen Ihres Computers die Option „Desktop spiegeln“ oder „duplizieren“ ausgewählt ist (statt die Anzeige auf ein zweites Display zu „erweitern“).
Das Videobild auf dem zweiten Display (vom HDMI Display-Port) ist nicht synchron mit dem Audiosignal.	Rufen Sie die Anzeigeeinstellungen auf Ihrem Computer auf und verringern Sie die Auflösung des Videodisplays.
Das Videobild auf dem zweiten Display (vom HDMI Display-Port) ist verzerrt.	Achten Sie darauf, ausschließlich das im Lieferumfang enthaltene Kabel oder ein zertifiziertes USB-Kabel zu verwenden. Vergewissern Sie sich auch, dass das Kabel nicht beschädigt oder geknickt ist.
Die Kamera zoomt herein oder heraus, obwohl ich gar keine manuellen Anpassungen vornehme.	<p>Möglicherweise ist die Autoframing-Funktion der Kamera aktiviert. Um die Funktion zu deaktivieren, drücken Sie die Autoframe-Taste auf der Fernbedienung.</p> <p>Einige Meeting-Softwareanwendungen haben eine integrierte Autoframing-Funktion, die das Bild beschneidet oder den Zoom-Faktor der Kamera steuert. Wenn möglich, sollten Sie diese Funktion in Ihrer Meeting-Software deaktivieren.</p>
Die <i>Bluetooth</i> -Anzeige blinkt blau.	Das ist normal. Es bedeutet, dass sich die VB1 im <i>Bluetooth</i> -Kopplungsmodus befindet. (Eventuell wurde aus Versehen die <i>Bluetooth</i> -Taste an der Seite der VB1 oder auf der Fernbedienung gedrückt.)

Problem	Mögliche Lösung
Die <i>Bluetooth</i> -Anzeige leuchtet dauerhaft weiß.	Das ist normal. Es bedeutet, dass die VB1 zur Musikwiedergabe oder für Anrufe mit einem <i>Bluetooth</i> -fähigen mobilen Endgerät oder aber mit der Videobar Mobile App verbunden ist.
Die Lichtleiste ist an.	Wenn die gesamte Lichtleiste leuchtet, wird gerade eine Besprechung ausgeführt. Wenn nur ein kleiner Lichtabschnitt leuchtet, ist keine Besprechung aktiv. Es bedeutet lediglich, dass die VB1 eingeschaltet ist. Weitere Informationen finden Sie unter Lichtleiste (Seite 31) .
Ein Lichtabschnitt in der Mitte der Lichtleiste leuchtet dauerhaft grün.	Das ist normal. Es bedeutet, dass die Kamera der VB1 läuft. (Wenn die restlichen Lichter in der Lichtleiste dauerhaft weiß leuchten, wird gerade eine Besprechung ausgeführt. Wenn sie aus sind, ist keine Besprechung aktiv.)

Leggere e conservare tutte le istruzioni per la sicurezza, la tutela delle persone e l'uso del prodotto.

Informazioni importanti sulla sicurezza

Per ulteriori informazioni sulla Bose Professional Videobar VB1 (inclusi gli accessori e le parti di ricambio), visitare boseprofessional.com/VB1 o contattare il servizio clienti Bose Professional.

1. Leggere queste istruzioni.
2. Conservare queste istruzioni.
3. Prestare attenzione a tutte le avvertenze.
4. Seguire tutte le istruzioni.
5. Non utilizzare l'apparecchio in prossimità di acqua.
6. Per la pulizia utilizzare un semplice panno asciutto.
7. Non ostruire le aperture di ventilazione. Installare il prodotto in conformità con le istruzioni fornite dal produttore.
8. Non installare in prossimità di fonti di calore, quali termosifoni, radiatori, stufe o altri apparecchi (compresi gli amplificatori) che generino calore.
9. Evitare che il cavo di alimentazione venga calpestato o schiacciato, soprattutto in corrispondenza di spine, prese e nel punto di uscita dell'apparecchio.
10. Utilizzare solo sistemi di fissaggio/accessori specificati dal produttore.
11.  Utilizzare solo carrelli, supporti, treppiedi, staffe o tavoli specificati dal produttore o venduti insieme all'apparecchio. Quando si utilizza un carrello, prestare attenzione durante lo spostamento dell'insieme carrello/apparecchio per evitare di rovesciarlo causando danni.
12. Scollegare l'apparecchio durante i temporali o quando non utilizzato per lunghi periodi di tempo.
13. Affidarsi a personale qualificato per tutti gli interventi di assistenza. Gli interventi di assistenza si rendono necessari in caso di danni di qualsiasi tipo all'apparecchio; ad esempio se il cavo di alimentazione o la spina sono danneggiati, se è stato versato liquido o sono caduti oggetti sull'apparecchio, se l'apparecchio è stato esposto a pioggia o umidità, se non funziona normalmente o è caduto.

AVVISI/AVVERTENZE



Questo simbolo sul prodotto indica la presenza di tensioni pericolose non isolate all'interno dell'involucro del prodotto e del conseguente rischio di scosse elettriche.



Questo simbolo sul prodotto segnala istruzioni importanti di funzionamento e di manutenzione presenti in questa guida.



Contiene pezzi di piccole dimensioni che possono rappresentare un pericolo di soffocamento. Non adatto a bambini di età inferiore a 3 anni.



Questo prodotto contiene materiale magnetico. Rivolgersi al proprio medico per eventuali domande sui possibili effetti del prodotto sui dispositivi medici impiantati nel corpo umano.



Usare solo ad altitudini inferiori a 2.000 m.

Tutti i prodotti Bose Professional devono essere installati in conformità agli standard locali, statali, federali e di settore. È responsabilità dell'installatore assicurare che l'installazione dei diffusori e del sistema di montaggio venga eseguita in conformità con le normative vigenti, compresi i regolamenti edilizi locali. Prima di installare il prodotto, chiedere informazioni all'autorità locale preposta.

Mentre si posiziona il prodotto, accertarsi che non ostruisca eventuali aperture di ventilazione dello schermo. Consultare la guida dell'utente dello schermo e installarlo secondo le istruzioni del produttore.

NON apportare alterazioni non autorizzate al prodotto.

Qualora fosse necessario sostituire le batterie, usare solo batterie alcaline AAA/LR03.

La batteria in dotazione con questo prodotto può determinare il rischio di incendio, di esplosione o di ustioni chimiche se non maneggiata correttamente, sostituita in modo improprio o sostituita con un tipo non corretto. Non deve essere ricaricata, smontata, esposta a fonti di calore o bruciata.

Tenere le batterie fuori dalla portata dei bambini.

Se la batteria dovesse perdere, evitare che il liquido entri in contatto con la pelle o gli occhi. In caso di contatto, richiedere assistenza medica.

Non esporre prodotti contenenti batterie a un calore eccessivo (ad esempio luce diretta del sole, fuoco o simili).

Per l'installazione di questo prodotto, utilizzare esclusivamente gli accessori in dotazione.

Solo per installazione a parete sulle superfici seguenti: pannello in cartongesso ≥ 10 mm.

Se si esegue il montaggio su superfici diverse da quelle indicate sopra, rivolgersi a un installatore professionista.

I cavi per i collegamenti forniti in dotazione con il sistema non sono approvati per l'installazione a parete. Consultare le norme locali per l'edilizia per individuare i tipi di cavi richiesti per l'installazione all'interno di muri.

Non eseguire l'installazione su superfici non sufficientemente robuste o dietro le quali si nascondono elementi potenzialmente pericolosi, quali cavi elettrici o tubazioni idrauliche.

NON utilizzare all'interno di veicoli o imbarcazioni.

A causa dei requisiti di ventilazione, Bose Professional sconsiglia di posizionare il prodotto in spazi chiusi o angusti, ad esempio nicchie a parete o armadietti.

Non posizionare o installare la staffa o il prodotto in prossimità di fonti di calore, quali caminetti, termosifoni, radiatori o altri apparati (inclusi amplificatori) che emettono calore.

Tenere il prodotto lontano dal fuoco e da fonti di calore. NON collocare sorgenti di fiamme libere (ad esempio, candele accese) sul prodotto o in prossimità di esso.

Per ridurre il rischio di incendio o scosse elettriche, il prodotto NON deve essere esposto a pioggia, liquidi o umidità.

NON esporre questo prodotto a gocce o getti di liquidi e non porre oggetti contenenti liquidi, quali vasi, sopra al prodotto o in prossimità di esso.

Il prodotto non deve essere installato né utilizzato in aree di servizio o intrattenimento vicine all'acqua (ad es. piscine coperte, parchi acquatici al chiuso, sale con vasche riscaldate, saune, bagni turchi e piste di pattinaggio al chiuso).

Non posizionare il prodotto in punti dove potrebbe formarsi condensa.

NON utilizzare un power inverter con questo prodotto.

Utilizzare questo prodotto esclusivamente con l'alimentatore fornito in dotazione.

La spina dell'alimentazione o dell'accoppiatore deve essere raggiungibile facilmente e rapidamente se utilizzata come dispositivo di spegnimento.

Informazioni sulle normative

Dimensioni (A × L × P): 48 × 659 × 102 mm

Peso netto: 2,5 kg

Alimentazione: 24 V DC $\overline{\text{---}}$, 1,875 A

L'apparecchiatura deve essere installata e utilizzata a una distanza minima di 20 cm tra il radiatore e il corpo dell'utente.

La conformità alle normative richiede l'utilizzo di cavi schermati.

CAN ICES-3 (B)/NMB-3(B)

Informazioni sui prodotti che generano interferenze elettriche (conformità FCC per gli Stati Uniti)

NOTA: questa apparecchiatura è stata sottoposta a collaudo ed è risultata conforme ai limiti relativi ai dispositivi digitali di Classe B previsti dalla Parte 15 delle norme FCC. Tali limiti sono stati fissati allo scopo di assicurare un'adeguata protezione dalle interferenze dannose nell'ambito di un'installazione residenziale. Questa apparecchiatura genera, utilizza e può irradiare energia a radiofrequenza e, se non viene installata e utilizzata in conformità alle istruzioni fornite, può interferire negativamente con le comunicazioni radiofoniche. Non esiste tuttavia alcuna garanzia che in una particolare installazione non si verificherà alcuna interferenza. Se questo dispositivo dovesse provocare interferenze con la ricezione radiotelevisiva (determinabili spegnendo e riaccendendo l'apparecchio), si dovrà provare a eliminare tali interferenze effettuando una o più delle seguenti operazioni:

Riorientare o riposizionare l'antenna ricevente.

Aumentare la distanza tra il dispositivo che provoca interferenza e il ricevitore.

Collegare l'apparecchiatura a una presa appartenente a un circuito diverso rispetto a quella a cui è collegato il ricevitore.

Rivolgersi al distributore o a un tecnico radiotelevisivo specializzato per ottenere assistenza.

Eventuali modifiche o alterazioni non espressamente approvate da Bose Professional possono rendere nulla l'autorizzazione dell'utente all'utilizzo dell'apparecchiatura stessa.

Questo dispositivo è conforme alla parte 15 delle Norme FCC e agli standard ISED (Innovation, Science and Economic Development) Canada RSS esenti da licenza.

Il funzionamento è soggetto alle due seguenti condizioni: (1) il dispositivo non può causare interferenze dannose e (2) deve accettare le interferenze ricevute, incluse quelle che potrebbero causare un funzionamento indesiderato del dispositivo.

Normativa per la gestione dei dispositivi a radiofrequenza a bassa potenza

Articolo XII: ai sensi della "Normativa per la gestione dei dispositivi a radiofrequenza a bassa potenza", nessuna società, impresa o utente può cambiare frequenza, incrementare la potenza di trasmissione o alterare le caratteristiche originali o le prestazioni di un dispositivo a radiofrequenza a bassa potenza in assenza di specifica autorizzazione da parte della NCC.

Articolo XIV: i dispositivi a radiofrequenza a bassa potenza non devono interferire in alcun modo con la sicurezza aerea o le comunicazioni legali; in tale eventualità, l'utente sarà tenuto a sospendere immediatamente l'utilizzo del dispositivo e ad eliminare qualsiasi interferenza. Per "comunicazioni legali" si intendono le comunicazioni radio conformi al Telecommunications Act (legge sulle telecomunicazioni degli Stati Uniti).

I dispositivi a radiofrequenza a bassa potenza devono essere suscettibili di interferenze provenienti da comunicazioni legali o dispositivi irradianti onde radio ISM.

CE Bose Professional dichiara che il presente prodotto è conforme ai requisiti essenziali e ad altre disposizioni applicabili della Direttiva 2014/53/CE e di tutte le altre direttive UE applicabili. La dichiarazione di conformità completa è disponibile all'indirizzo: www.Bose.com/compliance.

UK CA Questo prodotto è conforme a tutte le normative sulla compatibilità elettromagnetica applicabili del 2016 e a tutte le altre normative applicabili del Regno Unito. La dichiarazione di conformità completa è disponibile all'indirizzo: www.Bose.com/compliance

Bose Professional dichiara che questo prodotto è conforme ai requisiti essenziali stabiliti dalle normative sui dispositivi radio del 2017 e da tutte le normative britanniche applicabili. La dichiarazione di conformità completa è disponibile all'indirizzo: www.Bose.com/compliance

Se sintonizzato sulla banda compresa tra i 5150 e i 5250 MHz, il dispositivo deve essere utilizzato esclusivamente in luoghi chiusi per evitare di causare potenziali interferenze dannose a sistemi satellitari mobili che impiegano lo stesso canale.

Per l'Europa

Banda di frequenza di funzionamento: 2400-2483,5 MHz:


Bluetooth[®]/Wi-Fi: potenza in uscita massima inferiore a 20 dBm EIRP.

Bluetooth a basso consumo: massima densità spettrale di potenza inferiore a 10 dBm/MHz EIRP.

Banda di frequenza di funzionamento: 5150-5350 MHz e 5470-5725 MHz:

Wi-Fi: potenza in uscita massima inferiore a 20 dBm EIRP.

Se sintonizzato su una banda compresa tra i 5150 e i 5350 MHz, il dispositivo deve essere utilizzato esclusivamente all'interno, in tutti gli stati membri dell'UE elencati nella tabella.

	BE	DK	IE	UK (NI)	FR	CY	SK	HU	AT	SE	BG	DE	PT	EL
	HR	LV	LT	MT	PL	CZ	EE	FI	ES	IT	RO	LU	NL	SI



Questo simbolo indica che il prodotto non deve essere smaltito come rifiuto domestico, ma consegnato a una struttura di raccolta appropriata per il riciclo. Uno smaltimento e un riciclo corretti aiutano a preservare le risorse naturali, la salute e l'ambiente. Per ulteriori informazioni sullo smaltimento e sul riciclo di questo prodotto, rivolgersi alle autorità locali, al servizio di smaltimento dei rifiuti o al negozio presso il quale è stato acquistato.



Le batterie usate devono essere smaltite correttamente, in conformità con le normative locali. Non bruciarle.



Tabella delle limitazioni delle sostanze pericolose (Cina)

Nome e contenuto delle sostanze o degli elementi tossici o pericolosi						
Sostanze ed elementi tossici o pericolosi						
Nome parte	Piombo (Pb)	Mercurio (Hg)	Cadmio (Cd)	Cromo esavalente (CR(VI))	Bifenile polibromurato (PBB)	Difenil etero polibromurato (PBDE)
Circuiti stampati	X	0	0	0	0	0
Parti di metallo	X	0	0	0	0	0
Parti di plastica	0	0	0	0	0	0
Diffusori	X	0	0	0	0	0
Cavi	X	0	0	0	0	0

Questa tabella è stata messa a punto in accordo a quanto previsto dallo standard SJ/T 11364.

O: indica che questa sostanza tossica o pericolosa contenuta in tutti i materiali omogenei della parte è inferiore al limite previsto dallo standard GB/T 26572.

X: indica che la quantità della sostanza tossica o pericolosa contenuta in almeno uno dei materiali omogenei della parte è superiore al limite previsto dallo standard GB/T 26572.




Tabella delle limitazioni delle sostanze pericolose (Taiwan)

Nome dispositivo: Bose Videobar VB1 Designazione del tipo: 433869						
Sostanze soggette a restrizioni e relativi simboli chimici						
Unità	Piombo (Pb)	Mercurio (Hg)	Cadmio (Cd)	Cromo esavalente (Cr+6)	Bifenili polibromurati (PBB)	Difenil eteri polibromurati (PBDE)
Circuiti stampati	-	0	0	0	0	0
Parti di metallo	-	0	0	0	0	0
Parti di plastica	0	0	0	0	0	0
Diffusori	-	0	0	0	0	0
Cavi	-	0	0	0	0	0

Nota 1: "0" indica che il contenuto percentuale delle sostanze soggette a limitazioni non supera il valore di presenza della percentuale di riferimento.

Nota 2: il trattino "-" indica che la sostanza soggetta a limitazioni corrisponde all'esenzione.

Data di produzione: l'ottava cifra del numero di serie corrisponde all'anno di produzione; ad esempio "3" indica 2013 o 2023.

Importatore per la Cina: Bose Electronics (Shanghai) Company Limited, Level 6, Tower D, No. 2337 Gudai Rd. Minhang District, Shanghai 201100

Importatore per l'UE: Bose Products B.V., Gorslaan 60, 1441 RG Purmerend, Paesi Bassi

Importatore per il Messico: Bose de México, S. de R.L. de C.V., Paseo de las Palmas 405-204, Lomas de Chapultepec, 11000 México, D.F. N. telefono: +5255 (5202) 3545

Importatore per Taiwan: Bose Taiwan Branch, 9F-A1, No. 10, Section 3, Minsheng East Road, Taipei City 104, Taiwan. N. telefono: +886-2-2514 7676

Importatore per il Regno Unito: Bose Limited Bose House, Quayside Chatham Maritime, Chatham, Kent, ME4 4QZ, Regno Unito
Bose Corporation, Framingham, MA, U.S.A., 1-877-230-5639

Tabella degli stati di alimentazione del prodotto

Il prodotto, ai sensi della Direttiva 2009/125/CE in merito ai requisiti di progettazione ecocompatibile per i prodotti connessi all'energia, è conforme a uno o più dei seguenti regolamenti o documenti: Regolamento (CE) n. 1275/2008, emendato dal Regolamento (UE) n. 801/2013.

Informazioni richieste sullo stato di alimentazione	Modalità di alimentazione	
	Standby	Standby in rete
Consumo energetico nella modalità di alimentazione specificata, con ingresso a 230 V/50 Hz	≤ 0,5 W	Wi-Fi, Ethernet, <i>Bluetooth</i> ≤ 2,0 W
Tempo trascorso dopo il quale l'apparecchiatura passa automaticamente nella modalità indicata	≤ 2,5 ore	≤ 20 minuti
Consumo energetico in modalità standby in rete con tutte le porte di rete cablate collegate e tutte le porte di rete wireless attivate, con tensione di ingresso pari a 230 V/50 Hz	≤ 2,0 W	≤ 2,0 W
Procedure di disattivazione/attivazione delle porte di rete. La disattivazione di tutte le reti abilita la modalità standby.	<p>Wi-Fi: disattivazione tramite ripristino delle impostazioni predefinite di fabbrica: tenere premuti contemporaneamente i pulsanti Home e Autoframe sul telecomando per 5 secondi oppure tenere premuti contemporaneamente i pulsanti Mute e <i>Bluetooth</i> sul lato dell'unità per 5 secondi. Attivazione tramite l'applicazione Videobar Mobile.</p> <p>Ethernet: per disattivare, scollegare il cavo Ethernet. Per attivare, collegare il cavo Ethernet.</p> <p>Bluetooth: disattivazione tramite ripristino delle impostazioni predefinite di fabbrica: tenere premuti contemporaneamente i pulsanti Home e Autoframe sul telecomando per 5 secondi oppure tenere premuti contemporaneamente i pulsanti Mute e <i>Bluetooth</i> sul lato dell'unità per 5 secondi. Per attivazione, eseguire il pairing con una sorgente <i>Bluetooth</i>.</p>	

Informazioni tecniche sull'alimentatore esterno

L'alimentatore esterno fornito con il prodotto, ai sensi della Direttiva 2009/125/CE in merito ai requisiti di progettazione ecocompatibile per i prodotti connessi all'energia, è conforme a uno o più dei seguenti regolamenti o documenti: Regolamento (UE) 2019/1782 della Commissione.

Produttore	Bose Products B.V.
Numero di iscrizione al registro delle imprese	36037901
Indirizzo	Gorslaan 60 1441 RG Purmerend Paesi Bassi
Identificativo del modello	DT24V-1.8C-DC
Tensione d'ingresso	100 V-240 V
Frequenza CA in ingresso	50 Hz/60 Hz
Tensione di uscita	24 V CC
Corrente in uscita	1,9 A
Potenza in uscita	45 W
Efficienza attiva media	89,9%
Efficienza a basso carico (10%)	87,0%
Consumo energetico a vuoto	0,07 W

Licenze e informazioni legali

Bose è un marchio commerciale di Bose Corporation.

Videobar è un marchio commerciale di Transom Post OpCo LLC.



DisplayLink® è un marchio registrato di proprietà di DisplayLink Corp. nell'Unione Europea, negli Stati Uniti e in altri Paesi.



I termini HDMI e HDMI High-Definition Multimedia Interface e il logo HDMI sono marchi o marchi registrati di HDMI Licensing Administrator, Inc.

Android e Google Play sono marchi di Google LLC.

Il marchio in lettere e i loghi *Bluetooth®* sono marchi registrati di proprietà di Bluetooth SIG, Inc. e qualsiasi uso da parte di Bose Professional è soggetto a licenza.

macOS è un marchio di Apple Inc.

USB Type-C® e USB-C® sono marchi registrati di USB Implementers Forum e possono essere utilizzati esclusivamente con prodotti basati su e conformi alla specifica per cavi e connettori USB Type-C®.

Wi-Fi è un marchio registrato di Wi-Fi Alliance®.

Tutti gli altri marchi sono di proprietà dei rispettivi titolari.

Per visualizzare le dichiarazioni sulle licenze applicabili ai pacchetti software di terze parti incorporati nella Videobar VB1:

Videobar VB1: scaricare e aprire l'applicazione mobile **Videobar Mobile**, toccare l'icona **Impostazioni**, quindi toccare **Contratto di licenza con l'utente finale**.

Applicazione mobile Videobar Mobile: toccare l'icona **Impostazioni**, quindi toccare **Contratto di licenza con l'utente finale**.

Applicazione o interfaccia utente Web di Videobar Configuration: fare clic sull'icona **Impostazioni**, quindi fare clic su **Contratto di licenza con l'utente finale**.

Applicazione Videobar Administration: fare clic sul menu (☰), poi su **Informazioni su Videobar Administration**, quindi su **Contratto di licenza con l'utente finale**.

L'Informativa sulla privacy di Bose Professional è disponibile all'indirizzo [boseprofessional.com](https://www.boseprofessional.com).

©2023 Transom Post OpCo LLC. Nessuna parte di questo documento può essere riprodotta, modificata, distribuita o usata in altro modo senza previa autorizzazione scritta.

Compilare e conservare le seguenti informazioni.

Il numero di serie e il numero di modello si trovano sul pannello posteriore del prodotto.

Numero di serie: _____

Numero di modello: _____

Informazioni sulla garanzia

Questo prodotto è coperto da una garanzia limitata.

Per i dettagli sulla garanzia, visitare [boseprofessional.com/warranty](https://www.boseprofessional.com/warranty).

NELLA CONFEZIONE

Contenuto	10
-----------------	----

INSTALLAZIONE

Linee guida per l'installazione	12
Installazione dell'unità VB1 su un tavolo, uno scaffale o una credenza.....	13
Installazione dell'unità VB1 a parete	14
Copertura di privacy per la videocamera.....	19
Connessioni dei cavi	20
Gestione dei cavi.....	21

APPLICAZIONI SOFTWARE

App o interfaccia utente Web di Videobar Configuration.....	24
App Videobar Administration.....	26
App Videobar Mobile	26

DETTAGLI DEL PRODOTTO

Pannelli.....	27
Pannello anteriore	27
Pannello laterale.....	28
Pannello posteriore	29
Telecomando	30
Barra luminosa	31

FUNZIONAMENTO

Avvio di una videoconferenza	34
Regolazione della videocamera	35
Ripristino della videocamera.....	35
Regolazione degli angoli Pan e Tilt	35
Regolazione del fattore di zoom	36
Salvataggio e richiamo di un preset.....	36
Attivazione/disattivazione della funzione Autoframing.....	37
Gestione dei livelli audio	38
Riproduzione audio locale	38
Audio della videoconferenza	38
Regolazione dei livelli audio.....	38
Gestione dei dispositivi Bluetooth.....	39
Pairing di un dispositivo Bluetooth con l'unità VB1.....	39
Disconnessione di un dispositivo Bluetooth dall'unità VB1.....	39
Modalità di risparmio energetico.....	40

MANUTENZIONE

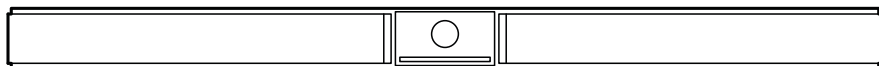
Pulizia dell'unità VB1.....	41
Parti di ricambio e accessori	41
Garanzia limitata	41
Posizioni del numero di serie	41
Ripristino delle impostazioni predefinite di fabbrica.....	42
Password dimenticata.....	42
Aggiornamento del software	42

RISOLUZIONE DEI PROBLEMI

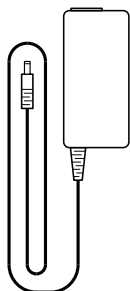
Provare prima queste soluzioni.....	43
-------------------------------------	----

NELLA CONFEZIONE

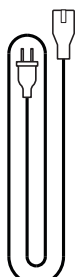
Contenuto



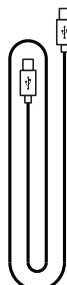
Videobar VB1



Alimentatore



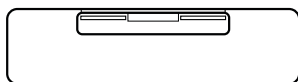
Cavo di alimentazione



Cavo USB Type-C®



Cavo HDMI



Stativo da tavolo

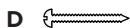
A  Vite per stativo da tavolo (2)



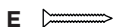
B Tassello per cartongesso grande (4)



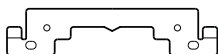
C Perno per tassello per cartongesso



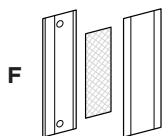
D Vite a testa bombata (2)



E Vite a testa piatta (2)



Staffa per installazione a parete



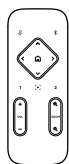
G  Tassello per cartongesso piccolo (2)

H  Vite a testa piatta piccola (2)

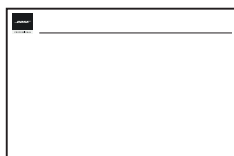


J  Tassello per cartongesso piccolo

K  Vite a testa piatta piccola



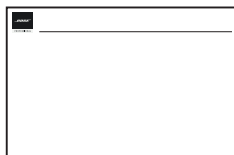
Telecomando



Guida introduttiva



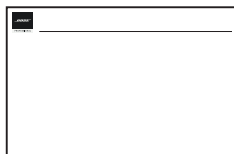
Batterie AAA/LR03 (2)



Guida all'installazione
con stativo da tavolo



Copertura di privacy
per la videocamera



Guida all'installazione a parete



Adattatore da USB-C a USB-A



Connettore Euroblock a 2 pin



Guida con informazioni sulla sicurezza

INSTALLAZIONE

Linee guida per l'installazione

Quando l'unità VB1 è in uso, NON appoggiarla sul lato anteriore, posteriore o superiore.

NON collocare alcun oggetto sopra l'unità VB1.

Non posizionare l'unità VB1 in prossimità di bocchette dell'aria condizionata, stufe o termosifoni, ventilatori o altre fonti di rumore o vibrazioni.

Per evitare interferenze wireless, tenere qualsiasi altro apparato wireless a una distanza di **0,3-0,9 m** dall'unità VB1. Collocare l'unità VB1 all'esterno e lontano da armadietti metallici ed altri componenti audio/video o fonti dirette di calore.

Verificare che nelle vicinanze sia presente una presa di corrente AC.

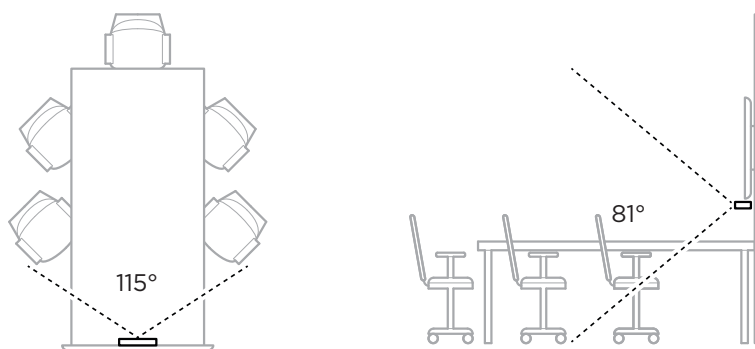
Posizionare l'unità VB1 direttamente sotto (preferibilmente) o sopra il TV/ schermo, con la griglia rivolta verso la sala.

Per una qualità ottimale del suono, NON collocare l'unità VB1 all'interno di un armadietto o in diagonale in un angolo.

Verificare che l'area destinata ai partecipanti alla riunione sia all'interno del campo visivo (FOV) della videocamera. Tutti i partecipanti devono trovarsi all'interno del FOV affinché la funzione Autoframing operi correttamente (vedere **Attivazione/disattivazione della funzione Autoframing (pagina 37)**).

Il FOV della videocamera dell'unità VB1 è 115° in orizzontale e 81° in verticale.

Verificare che la sala riunioni sia ben illuminata durante una videoconferenza.

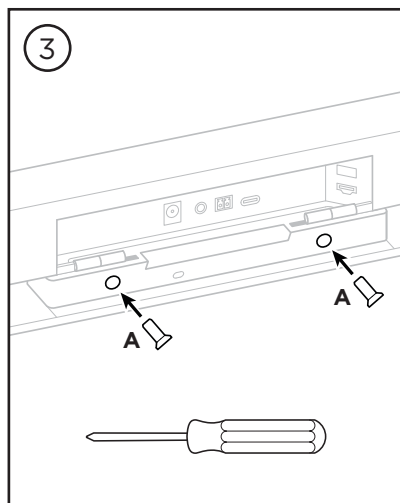
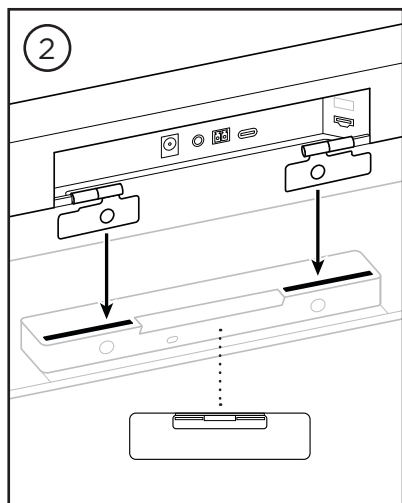
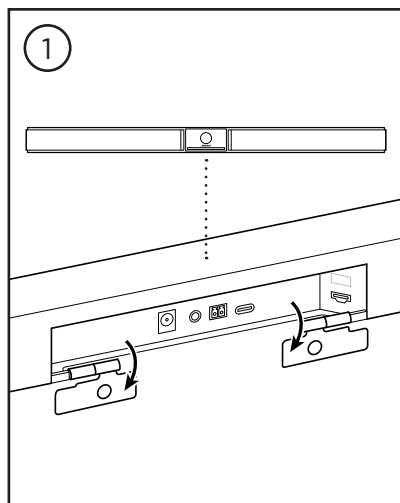
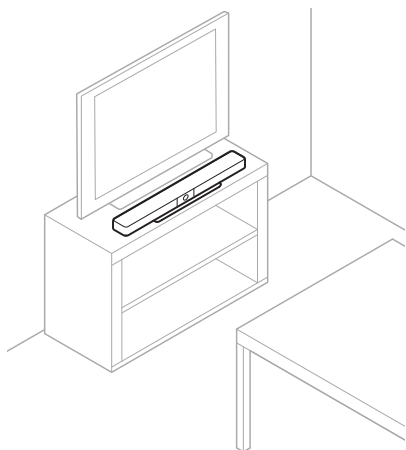


Installazione dell'unità VB1 su un tavolo, uno scaffale o una credenza

Attenersi alle seguenti raccomandazioni per ottenere le migliori prestazioni da un'unità VB1 installata su un tavolo, uno scaffale, una credenza, ecc.

Collocare l'unità VB1 sul suo stativo da tavolo, sopra una superficie stabile e piana.

Posizionare la parte anteriore dell'unità VB1 in modo che la superficie di supporto non sia visibile nell'immagine ripresa dalla videocamera. Verificare che la sala riunioni sia ben illuminata durante una videoconferenza.



Installazione dell'unità VB1 a parete

Attenersi alle seguenti raccomandazioni per ottenere le migliori prestazioni da un'unità VB1 installata a parete:

Quando si determina la posizione di fissaggio della staffa per installazione a parete, verificare che attorno ad essa ci sia spazio sufficiente per il fissaggio dell'unità VB1:

Devono esserci almeno **3,8 cm** sopra la staffa per installazione a parete. Questo permetterà di "appendere" ad essa l'unità VB1 (passaggio 7) e di regolarne l'inclinazione. Consentirà inoltre di avere spazio sufficiente per accedere alle connessioni sul pannello posteriore dell'unità VB1.

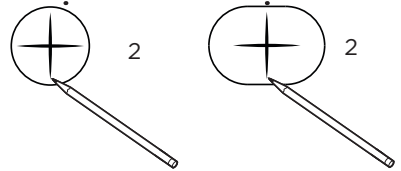
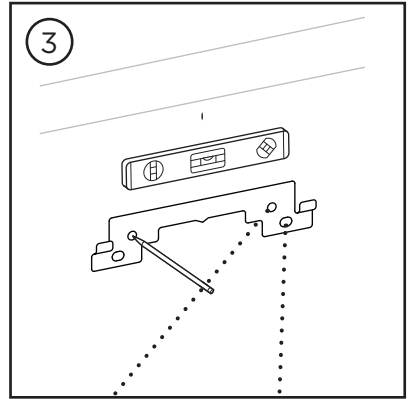
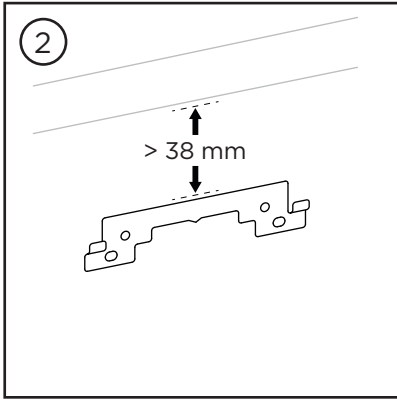
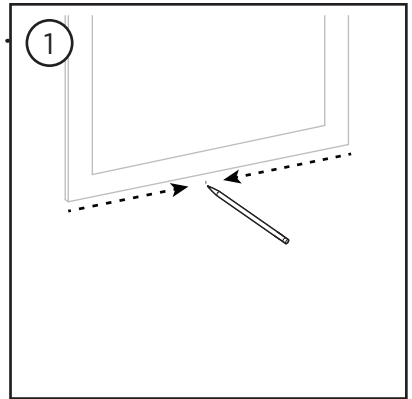
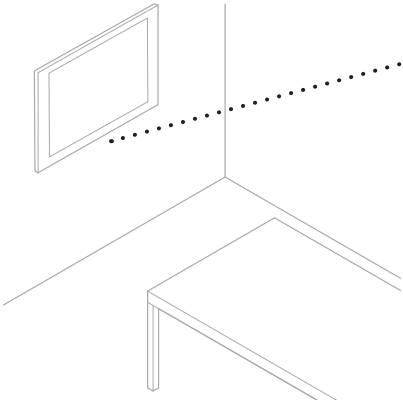
Devono esserci almeno **11,4 cm** sotto la staffa per installazione a parete. Questo permetterà di appendere verticalmente ad essa l'unità VB1 durante l'installazione, per inserire i cavi e regolarne l'inclinazione.

Lo spazio in larghezza dev'essere pari ad almeno **73,7 cm**, con la staffa per installazione a parete posta al centro. Questo è necessario per poter posizionare l'unità VB1 e disporre di spazio per accedere all'apertura d'accordo acustico e ai pulsanti sui lati dell'unità VB1 (devono esserci **2,5 cm** su ciascun lato).

Per l'installazione di questo prodotto, utilizzare esclusivamente gli accessori in dotazione.

Nota: sono necessari alcuni strumenti aggiuntivi.

Nota: consultare le Informazioni importanti sulla sicurezza incluse prima di continuare.



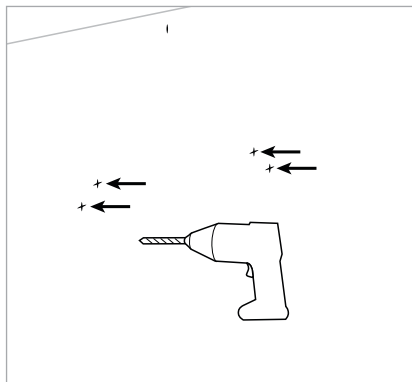
4

AVVERTENZE:



Non eseguire l'installazione su superfici non sufficientemente robuste o dietro le quali si nascondano elementi potenzialmente pericolosi, quali cavi elettrici o tubazioni idrauliche. In caso di dubbi sull'installazione, contattare un installatore professionista.

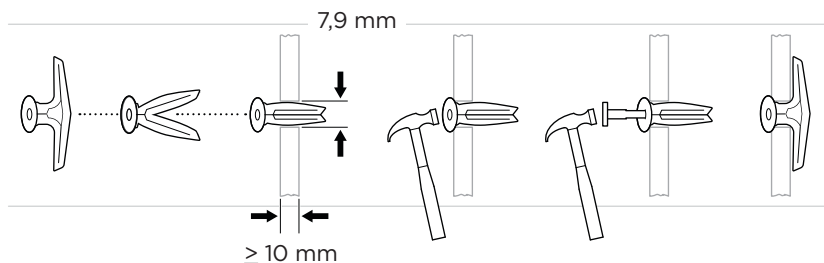
Gli accessori in dotazione non sono adatti a superfici in muratura.



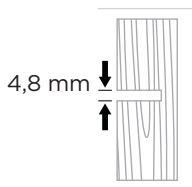
Pannello in cartongesso
7,9 mm

Montante in legno/in metallo
4,8 mm

Pannello in cartongesso

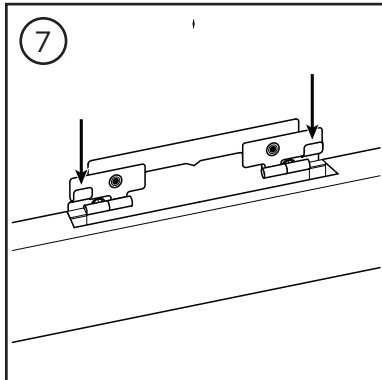
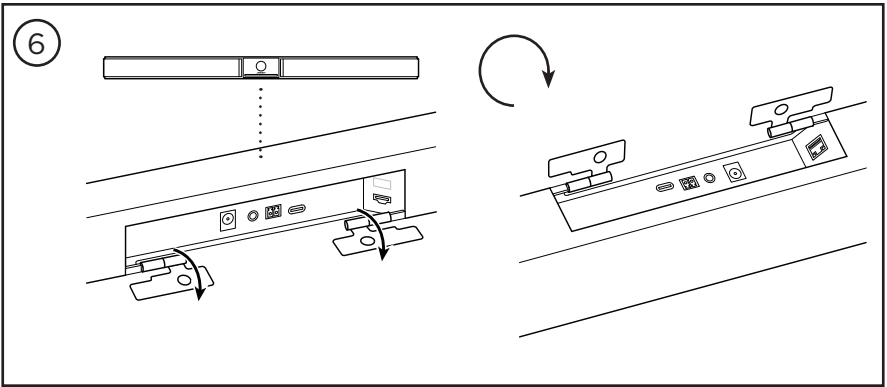
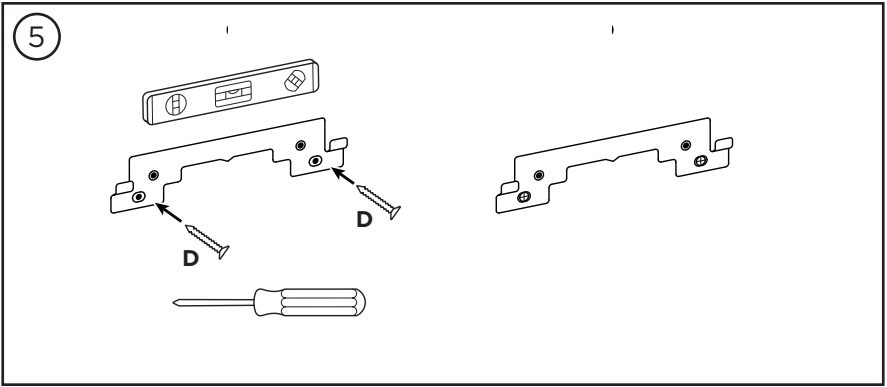


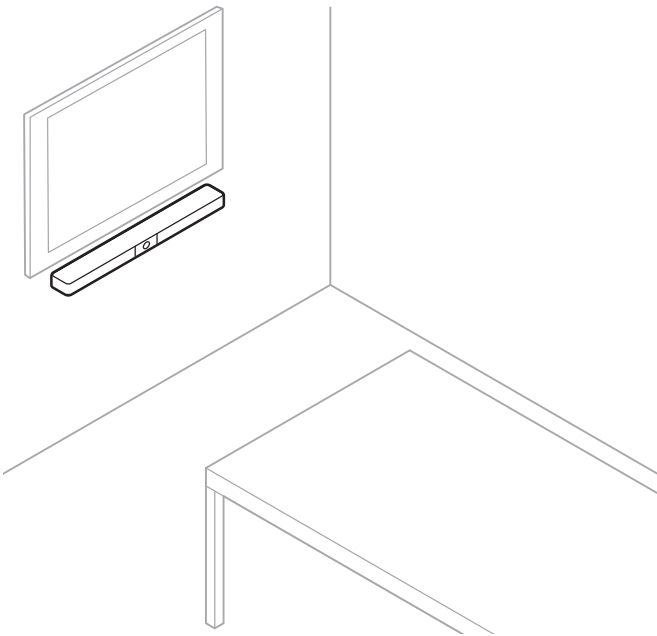
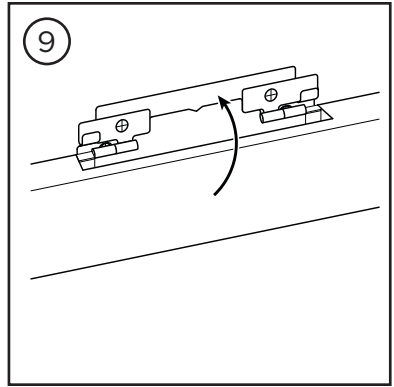
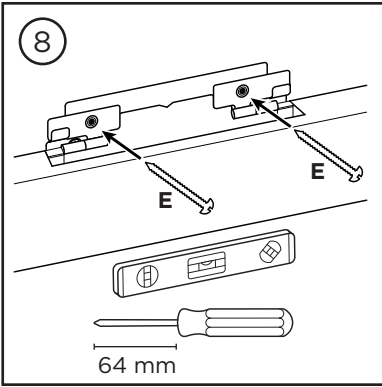
Montante in legno



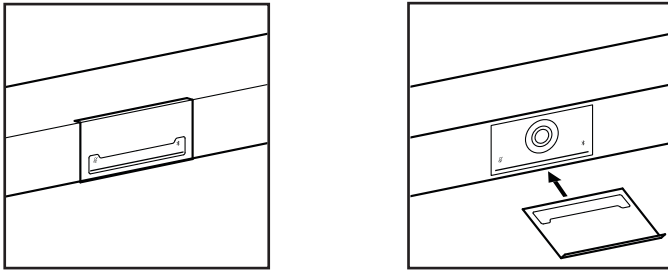
Montante in metallo







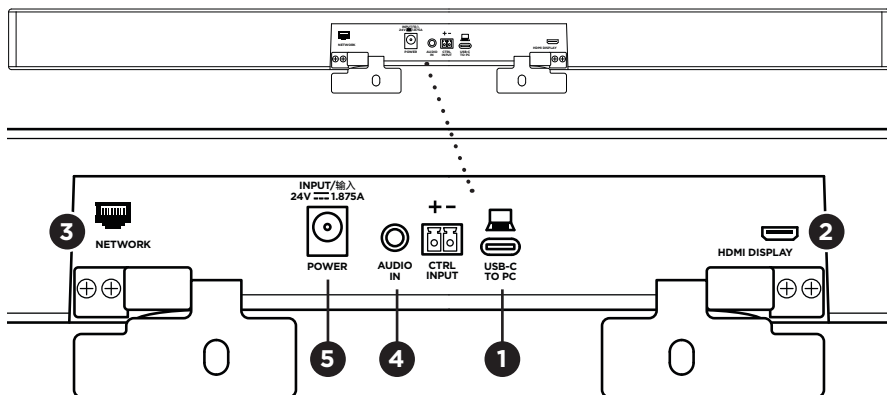
Copertura di privacy per la videocamera



La copertura di privacy in dotazione consente di coprire completamente il campo visivo della videocamera, senza nascondere gli indicatori e la barra luminosa.

La copertura è magnetica; una volta montata sull'obiettivo dell'unità VB1 come mostrato, resta in posizione. Per conservare la copertura quando non è in uso, fissarla alla superficie inferiore sotto l'obiettivo.

Connessioni dei cavi



1. Collegare il cavo USB-C® in dotazione alla porta **USB-C**.
Lasciare l'altra estremità del cavo sul tavolo, in modo che l'organizzatore della videoconferenza possa facilmente collegare o scollegare il proprio computer in occasione di ciascun evento.
Nota: se il computer che gestisce la videoconferenza è dotato esclusivamente di porte USB-A, collegare l'adattatore USB da C a A all'estremità del cavo USB-C per il computer.
2. **Facoltativo:** utilizzare il cavo HDMI in dotazione per collegare la porta **HDMI Display** a una porta HDMI di un display video o uno schermo.
Nota: perché l'uscita HDMI funzioni, sul computer host deve essere installato il più recente driver DisplayLink® e sull'unità VB1 deve essere abilitata l'impostazione DisplayLink (disabilitata per impostazione predefinita). Visitare displaylink.com/downloads per scaricare il driver più recente. Abilitare o disabilitare l'impostazione DisplayLink tramite la app o interfaccia utente Web di Videobar Configuration oppure tramite la app Videobar Administration (vedere **Applicazioni software (pagina 23)**).
3. **Facoltativo:** se l'unità VB1 verrà utilizzata in una rete, utilizzare un cavo Cat 5 (non in dotazione) per collegare la porta **Network** a una porta LAN, a uno switch di rete, ecc.
4. **Facoltativo:** per l'audio ausiliario da una sorgente audio analogica, collegare un cavo stereo da 3,5 mm (non in dotazione) al jack **Audio In**.

La configurazione dei pin in uscita è:

1. Punta = Ingresso audio sinistro
2. Anello = Ingresso audio destro
3. Anello 2 = Massa



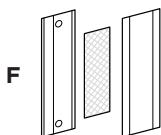
5. Collegare l'alimentatore in dotazione all'ingresso **Power**.
6. Utilizzare il cavo di alimentazione in dotazione per collegare l'alimentatore a una presa di corrente. L'unità VB1 si accende automaticamente una volta collegata all'alimentazione.


Sono disponibili diverse applicazioni software che consentono di configurare la Videobar VB1 per prestazioni ottimali. Vedere **Applicazioni software (pagina 23)** per ulteriori informazioni.

Se serve una prolunga USB, visitare boseprofessional.com/VB1 per un elenco di prolunghie USB raccomandate di terze parti da utilizzare con l'unità VB1.

Gestione dei cavi

La copertura di gestione dei cavi in dotazione è in grado di tenere in posizione tutti i cablaggi permanenti contro la parete.



G  Tassello per cartongesso piccolo (2)

H  Vite a testa piatta piccola (2)

Per installare la copertura di gestione dei cavi:

- Collocare e mantenere la parte posteriore della copertura per cavi **(F)** (il componente con i fori per le viti) nella posizione desiderata contro la parete.
- Marcare sulla parete il centro dei due fori per le viti, quindi rimuovere la parte posteriore della copertura cavi.
- Se dietro l'area prescelta della parete sono presenti montanti, trapanare nella stessa due fori da **2,4 mm**.
Se dietro l'area prescelta della parete non sono presenti montanti, trapanare nella stessa due fori da **5 mm**.
- Se dietro l'area prescelta della parete non sono presenti montanti, inserire nella parete due tasselli piccoli **(G)**.
- Allineare la parte posteriore della copertura cavi **(F)** con i fori per le viti.
- Avvitare le due piccole viti a testa piatta **(H)** nella parte posteriore della copertura cavi per fissarla alla parete.
- Raccogliere i cavi e predisporli lungo la "guida" sulla parte posteriore della copertura cavi (sulla parete).
- Rimuovere la striscia adesiva dalla spugna **(F)** sulla copertura cavi.
- Fissare bene la striscia di spugna alla parte posteriore della copertura cavi, accanto ai cavi raccolti.
- Posizionare la parte anteriore della copertura cavi **(F)** sopra i cavi raccolti e la spugna, in modo che aderisca bene.



J  Tassello per cartongesso piccolo

K  Vite a testa piatta piccola

Per fissare il cavo di alimentazione alla parete:

1. Determinare il punto della parete su cui si desidera fissare il cavo di alimentazione.
2. Marcare un foro per la vite sulla parete.
3. Se dietro l'area prescelta della parete è presente un montante, trapanare nella stessa un foro da **2,4 mm**.
Se dietro l'area prescelta della parete non è presente un montante, trapanare nella stessa un foro da **5 mm**.
4. Se dietro l'area prescelta della parete non è presente un montante, inserire nella parete un tassello piccolo (**J**).
5. Allineare l'occhiello della fascetta fermacavi (**I**) con il foro per la vite.
6. Avvitare la piccola vite a testa piatta (**K**) nell'occhiello della fascetta fermacavi per fissarla alla parete.

APPLICAZIONI SOFTWARE

Tre applicazioni software consentono di configurare la Videobar VB1.

Usare il software Videobar Configuration, disponibile per Windows e macOS o tramite browser Web, per installare e configurare i dispositivi.

Funzioni:

Controllo della videocamera: pan, tilt, zoom, preset e autoframing

Amministrazione e configurazione protette da password

Installazione degli aggiornamenti del firmware, creazione e applicazione di profili di configurazione, attivazione/disattivazione dell'uscita HDMI (DisplayLink), regolazione delle impostazioni di rete, del *Bluetooth*, delle funzioni avanzate della videocamera e altro ancora.

Notifiche riguardanti la disponibilità di aggiornamenti del software Videobar

Disponibile per Windows e macOS o tramite browser Web, che offre tutte le funzionalità del software desktop tramite connessione di rete

Il software Videobar Administration consente la gestione da remoto per la modifica di una unità singola o di più unità connesse su rete e visualizzare lo stato dei dispositivi in tempo reale.

Funzioni:

Visualizzazione dello stato e controllo delle funzioni essenziali di tutti i dispositivi Bose Professional Videobar da un'unica posizione

Pianificazione degli aggiornamenti del firmware per tutti i dispositivi o solo per quelli selezionati

Visualizzazione, modifica e salvataggio dei parametri per ogni dispositivo o per gruppo di dispositivi

Rilevamento di tutti i dispositivi nella rete; creazione, salvataggio e applicazione dei profili dei dispositivi

Disponibile per Windows

La app mobile Videobar Mobile consente ai presenti nella sala di controllare la Videobar VB1 tramite smartphone, con la possibilità di regolare il volume, silenziare il microfono e accedere alle funzioni: pan, tilt, zoom, preset zoom e *Bluetooth*.

Funzioni:

Controllo in tempo reale di volume, mute, pan, tilt, zoom, preset zoom e pairing *Bluetooth* dal dispositivo mobile

Tramite il pairing *Bluetooth*, è possibile individuare automaticamente e comunicare con la Videobar VB1.

Disponibile per iOS e Android

App o interfaccia utente Web di Videobar Configuration

Per scaricare e installare la app Videobar Configuration sul computer:

1. Dal computer, visitare **boseprofessional.com/VB1**.
2. Scaricare e installare il **software Videobar Configuration**.

Per accedere alla app Videobar Configuration e utilizzarla per configurare l'unità VB1:

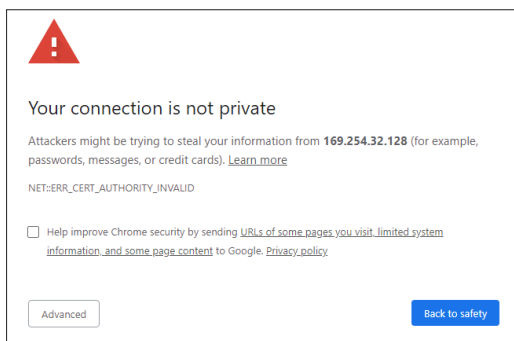
1. Connettere il computer alla porta **USB-C** sull'unità VB1.
2. Aprire la app **Videobar Configuration**.
3. Per accedere alle impostazioni di amministrazione per configurare l'unità VB1, fare clic sull'icona **Administrator** nel pannello di navigazione e digitare la password predefinita di fabbrica: **Bose123!**

Nota: una volta effettuato l'accesso, si raccomanda di modificare la password.

Per accedere all'interfaccia utente Web di Videobar Configuration dal browser e configurare l'unità VB1 tramite connessione di rete:

1. Connettere il computer e l'unità VB1 alla stessa rete.
2. Inserire l'indirizzo IP dell'unità VB1 nella barra indirizzi di un browser Web sul computer e premere **Invio**. L'indirizzo IP dell'unità VB1 può essere determinato con la app Videobar Configuration tramite USB o con la app Videobar Administration, che individua automaticamente le unità VB1 presenti in rete. Si apre l'interfaccia utente Web di Videobar Configuration.

Nota: su alcuni browser, potrebbe essere visualizzato un avviso di sicurezza come quello seguente:



Questo è normale e non costituisce un rischio per la sicurezza. Fare clic su **Avanzate**. In caso di dubbi sulle operazioni da eseguire sul computer, nel browser Web, ecc., consultare prima l'amministratore IT/del sistema.

Potrebbe quindi venire visualizzato il seguente messaggio:

This server could not prove that it is **169.254.32.128**, its security certificate is not trusted by your computer's operating system. This may be caused by a misconfiguration or an attacker intercepting your connection.

[Proceed to 169.254.32.128 \(unsafe\)](#)

Anche questo è normale. Fare clic sul link **Procedi a...** per accedere alla pagina di login dell'interfaccia utente Web di Videobar Configuration.

La password di amministrazione predefinita in fabbrica è: **Bose123!**

Nota: una volta effettuato l'accesso, si raccomanda di modificare la password.

Per accedere al file della guida della app o dell'interfaccia utente Web di Videobar Configuration, vedere la pagina **Settings** nella app o nell'interfaccia utente Web.

App Videobar Administration

Per scaricare il software Videobar Administration:

1. Dal computer, visitare **boseprofessional.com/VB1**.
2. Scaricare e installare la app **Videobar Administration**.

Per accedere alla app Videobar Administration e utilizzarla per configurare una o più unità VB1 tramite una connessione di rete:

1. Connettere il computer e ciascuna unità VB1 alla stessa rete.
2. Aprire la app **Videobar Administration**.

Per accedere al file della guida della app Videobar Administration, vedere la pagina **Informazioni su Videobar Administration** nella app.

App Videobar Mobile

La app Videobar Mobile offre comodamente le funzioni del telecomando a infrarossi su un dispositivo mobile. Per scaricare la app Videobar Mobile:

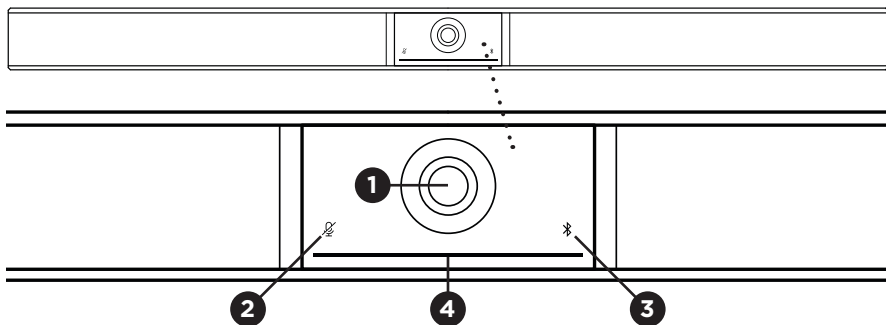
1. Cercare la app **Videobar Mobile** sull'App StoreSM o su Google PlayTM e scaricarla.
2. Aprire la app sul dispositivo mobile e attivare la geolocalizzazione.
3. Collegare il dispositivo mobile alla **Videobar VB1**.

Per accedere al file della guida della app Videobar Mobile, vedere la pagina **Settings** nella app.

DETTAGLI DEL PRODOTTO

Pannelli

Pannello anteriore



1. **Videocamera**
2. **Indicatore Mute:** questa spia si accende in rosso quando i microfoni sono spenti.
3. **Indicatore Bluetooth:** questa spia indica lo stato di connettività *Bluetooth* corrente dell'unità VB1.

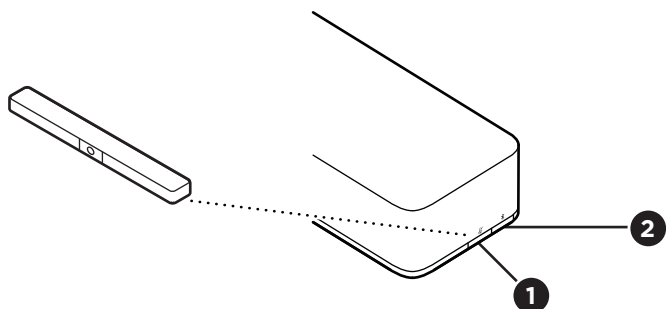
Blu lampeggiante lento: l'unità VB1 è pronta per essere accoppiata a un dispositivo mobile *Bluetooth*.

Bianco fisso: l'unità VB1 è connessa alla app Videobar Mobile o a un dispositivo mobile per chiamate e contenuti multimediali.

Spento: la connettività *Bluetooth* è disattivata.

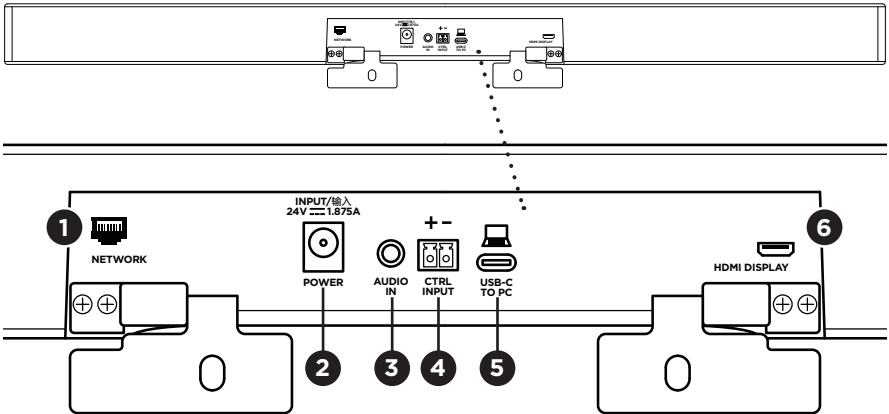
4. **Barra luminosa:** vedere **Barra luminosa (pagina 31)** per ulteriori informazioni in merito.

Pannello laterale



1. **Pulsante Mute:** premere questo pulsante per attivare o disattivare i microfoni dell'unità VB1.
2. **Pulsante *Bluetooth*:** tenere premuto questo pulsante per attivare la modalità di pairing.

Pannello posteriore



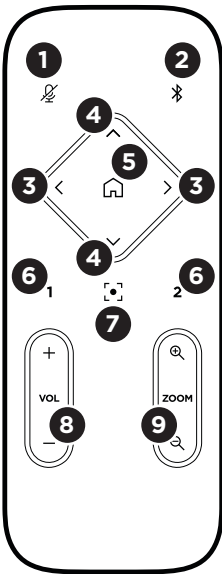
1. **Network:** utilizzare questa connessione RJ45 a 1 Gbps per la configurazione e/o il monitoraggio. Questa porta si trova sul lato interno del pannello posteriore.
2. **Power:** collegare l'alimentatore in dotazione.
3. **Audio In:** utilizzare un cavo stereo da 3,5 mm (non in dotazione) per collegare una sorgente audio opzionale, come l'uscita audio di uno schermo o un display collegato.
4. **Ctrl Input:** utilizzare questa porta logica per attivare la funzione di mute generale con il connettore Euroblock a 2 pin in dotazione. Per impostazione predefinita, questo ingresso è attivo basso e dotato di pull-up interno.
5. **USB-C:** collegare questa porta al computer che gestisce la videoconferenza.
6. **HDMI Display:** utilizzare il cavo HDMI in dotazione per collegare questa porta a uno schermo. Questa porta si trova sul lato interno del pannello posteriore.

Nota: perché l'uscita HDMI funzioni, sul computer host deve essere installato il più recente driver DisplayLink® e sull'unità VB1 deve essere abilitata l'impostazione DisplayLink (disabilitata per impostazione predefinita). Visitare [displaylink.com/downloads](https://www.displaylink.com/downloads) per scaricare il driver più recente. Abilitare o disabilitare l'impostazione DisplayLink tramite la app o interfaccia utente Web di Videobar Configuration oppure tramite la app Videobar Administration (vedere **Applicazioni software (pagina 23)**).

Telecomando

La Videobar VB1 è dotata di un telecomando a infrarossi che consente di regolare le impostazioni della videocamera e del volume, silenziare i microfoni e attivare la modalità di pairing *Bluetooth* dell'unità VB1.

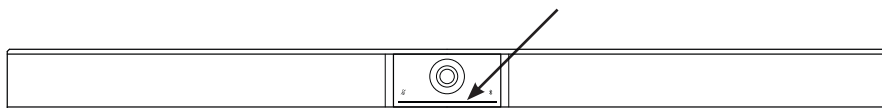
Nota: tutte le funzioni del telecomando sono disponibili anche dalle app che consentono di configurare la Videobar VB1. Vedere **Applicazioni software (pagina 23)** per ulteriori informazioni.















1. **Mute:** attiva/disattiva i microfoni dell'unità VB1.
2. **Bluetooth:** tenere premuto il pulsante per 3 secondi per attivare la modalità di pairing. Se è già stato eseguito il pairing con un altro dispositivo, tenere premuto per disconnetterlo.
3. **Pan videocamera:** premere per spostare la videocamera verso sinistra e verso destra (< o >) oppure tenere premuto per una regolazione continua.
4. **Tilt videocamera:** premere per inclinare la videocamera verso l'alto e verso il basso (▲ o ▼) oppure tenere premuto per una regolazione continua.
5. **Preset Home:** riporta le impostazioni Pan, Tilt e Zoom (PTZ) della videocamera alla posizione Home. La posizione Home può essere modificata nella app Videobar Configuration.
6. **Preset 1 e 2:** premere per selezionare il Preset 1 o 2 della videocamera. Tenere premuto per salvare le attuali impostazioni Pan, Tilt e Zoom (PTZ) della videocamera come Preset 1 o 2.
7. **Autoframe:** attivazione e disattivazione della funzione Autoframing. Se attivata, le impostazioni Pan, Tilt e Zoom della videocamera vengono regolate automaticamente in modo da includere sempre nel campo visivo tutti i partecipanti alla videoconferenza.
8. **Volume:** aumenta o diminuisce il volume (+ o -).
9. **Zoom videocamera:** aumenta o diminuisce (+ o -) il fattore di zoom della videocamera.





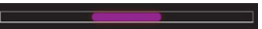
Barra luminosa

La barra luminosa è ubicata sotto la videocamera dell'unità VB1.



Aspetto	Attività	Stato del sistema
	Una sezione minima al centro della barra luminosa è accesa con luce fissa bianca.	Accesa e "attiva".
	Tutta la barra accesa con luce fissa bianca.	È in corso una videoconferenza. La videocamera è spenta.
	Il solo indicatore centrale è acceso con luce fissa verde, mentre i lati sono accesi con luce fissa bianca.	È in corso una videoconferenza. La videocamera è accesa con la funzione Autoframing disattivata.
	Una sezione minima centrale della barra luminosa è accesa con luce fissa verde, mentre i lati sono accesi con luce fissa bianca.	È in corso una videoconferenza. La videocamera è accesa con la funzione Autoframing attivata.
	Una sezione minima centrale della barra luminosa è accesa con luce fissa verde, mentre i lati sono spenti.	La videocamera è accesa. Non è in corso alcuna videoconferenza.
	La parte all'estrema sinistra della barra luminosa lampeggia una volta (bianca/accesa in assenza di chiamata attiva; spenta quando c'è una chiamata attiva).	Il volume è stato abbassato di un incremento.

Aspetto	Attività	Stato del sistema
	La parte all'estrema destra della barra luminosa lampeggia una volta (bianca/accessa in assenza di chiamata attiva; spenta quando c'è una chiamata attiva).	Il volume è stato aumentato di un incremento.
	Una sezione minima all'estrema sinistra della barra luminosa lampeggia una volta (bianca/accessa in assenza di chiamata attiva; spenta quando c'è una chiamata attiva).	Il volume è stato impostato al minimo.
	Una sezione minima all'estrema destra della barra luminosa lampeggia una volta (bianca/accessa in assenza di chiamata attiva; spenta quando c'è una chiamata attiva).	Il volume è stato impostato al massimo.
	Una sezione minima al centro della barra luminosa lampeggia rapidamente in bianco.	L'unità VB1 sta ricercando una rete Wi-Fi.
	Una sezione minima al centro della barra luminosa lampeggia in bianco una volta per poi spegnersi gradualmente.	L'unità VB1 si è collegata a una rete Wi-Fi. Questo può anche significare che l'unità VB1 ha rilevato una nuova sorgente audio collegata alla porta USB dell'host o al connettore Audio In.
	Una sezione minima al centro della barra luminosa è accesa con luce fissa rossa.	L'unità VB1 non funziona correttamente a causa di un problema firmware/software. Contattare il supporto tecnico Bose Professional.

Aspetto	Attività	Stato del sistema
	<p>Una sezione minima al centro della barra luminosa lampeggia in color ambra.</p>	<p>L'unità VB1 non funziona correttamente a causa di un problema di connessione. Verificare che l'unità VB1 sia collegata a una rete.</p>
	<p>Tratti bianchi si spostano ripetutamente tra le estremità destra e sinistra.</p>	<p>L'unità VB1 sta scaricando e installando un aggiornamento del firmware. Non scollegare la VB1 dall'alimentazione né dalla rete. Una volta terminato l'aggiornamento, la barra luminosa si arresta e l'unità VB1 emette un tono audio.</p>
	<p>Una sezione minima al centro della barra luminosa lampeggia ripetutamente in bianco. I tratti luminosi si spostano quindi dal centro verso l'esterno, fino ad accendere l'intera barra con luce fissa bianca. Quindi, le luci si spengono secondo lo stesso schema.</p>	<p>La VB1 sta riavviandosi dopo il ripristino delle impostazioni predefinite di fabbrica.</p>
	<p>Una sezione minima al centro della barra luminosa lampeggia ripetutamente in bianco.</p>	<p>L'unità VB1 si sta riavviando dopo un'interruzione di corrente.</p>
	<p>Una sezione minima al centro della barra luminosa lampeggia ripetutamente in viola.</p>	<p>La app Videobar Administration sta inviando un messaggio di identificazione dispositivo all'unità VB1.</p>

FUNZIONAMENTO

Avvio di una videoconferenza

Nota: perché l'uscita HDMI funzioni, sul computer host deve essere installato il più recente driver DisplayLink® e sull'unità VB1 deve essere abilitata l'impostazione DisplayLink (disabilitata per impostazione predefinita). Visitare displaylink.com/downloads per scaricare il driver più recente. Abilitare o disabilitare l'impostazione DisplayLink tramite la app o interfaccia utente Web di Videobar Configuration oppure tramite la app Videobar Administration (vedere **Applicazioni software (pagina 23)**).

Per avviare una videoconferenza con l'unità VB1:

1. Collegare il cavo USB in dotazione tra l'unità VB1 e il computer. Utilizzare l'adattatore da USB-C a USB-A, se necessario.
2. Avviare la videoconferenza utilizzando il software per videoconferenze preferito.
3. Nelle impostazioni dei dispositivi sul software per videoconferenze utilizzato, selezionare il dispositivo **Videobar VB1** per microfono, diffusori e videocamera.

Per effettuare una chiamata utilizzando l'unità VB1 in viva voce:

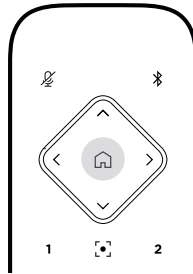
1. Premere il pulsante **Bluetooth** sul lato dell'unità VB1 (oppure tenere premuto il pulsante *Bluetooth* sul telecomando per 3 secondi) per attivare la modalità di pairing dell'unità VB1.
2. Sul dispositivo mobile, ricercare i dispositivi *Bluetooth* disponibili e selezionare l'unità VB1.
3. Effettuare una chiamata dal dispositivo mobile. L'audio verrà automaticamente indirizzato dal dispositivo mobile ai diffusori e ai microfoni dell'unità VB1.

Regolazione della videocamera

Nota: tutte le funzioni del telecomando sono disponibili anche dalle app che consentono di configurare la Videobar VB1. Vedere **Applicazioni software (pagina 23)** per ulteriori informazioni.

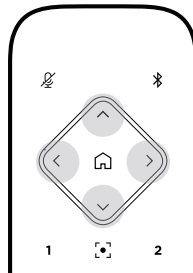
Suggerimento: per una regolazione semplice e rapida della videocamera, si consiglia di utilizzare la app Videobar Mobile sul dispositivo mobile. Vedere **App Videobar Mobile (pagina 26)**.

Ripristino della videocamera



Per ripristinare le impostazioni pan, tilt, e zoom predefinite della videocamera, premere il pulsante **Home** sul telecomando.

Regolazione degli angoli Pan e Tilt



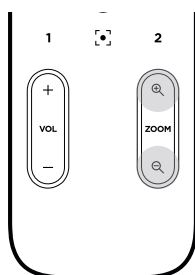
Nota: gli angoli Pan e Tilt possono essere regolati solo se la videocamera non è posta completamente al minimo zoom.

Per regolare il Pan (a destra e a sinistra) della videocamera, premere uno dei pulsanti Pan della videocamera (< o >) sul telecomando.

Per regolare il Tilt (verso l'alto e il basso) della videocamera, premere uno dei pulsanti Tilt della videocamera (▲ o ▼) sul telecomando.

Premere una volta un pulsante per regolare la videocamera in incrementi oppure tenerlo premuto per la regolazione continua.

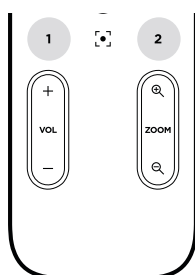
Regolazione del fattore di zoom



Per regolare il fattore di zoom della videocamera, premere uno dei pulsanti **Zoom** della videocamera (+ o -) sul telecomando.

Premere una volta un pulsante per regolare la videocamera in incrementi oppure tenerlo premuto per la regolazione continua.

Salvataggio e richiamo di un preset



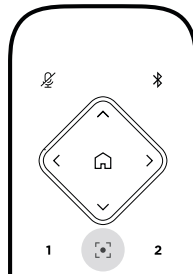
Le impostazioni pan, tilt e zoom della videocamera possono essere salvate in un preset: Preset 1 o Preset 2. Quando si richiama un preset salvato, la videocamera torna immediatamente alle relative impostazioni pan, tilt e zoom salvate.

Per salvare un preset:

1. Regolare le impostazioni pan, tilt e zoom come desiderato.
2. Tenere premuto il pulsante relativo al preset desiderato sul telecomando (**Preset 1** o **Preset 2**) per 3 secondi. Le impostazioni della videocamera verranno salvate in quel preset.

Per richiamare un preset salvato, premere il pulsante del preset desiderato sul telecomando (**Preset 1** o **Preset 2**). La videocamera passa immediatamente alle impostazioni pan, tilt e zoom salvate su tale preset.

Attivazione/disattivazione della funzione Autoframing



Per attivare o disattivare la funzione Autoframing della videocamera, premere il pulsante **Autoframe** sul telecomando.

Se attivata, la videocamera regola automaticamente in maniera continua le impostazioni pan, tilt e zoom in modo da includere nel campo visivo tutti i partecipanti presenti nella sala.

Nota: regolando le impostazioni pan, tilt o zoom o selezionando **Home**, **Preset 1** o **Preset 2** la funzione Autoframing viene disattivata automaticamente.

Una volta disattivata, regolare manualmente le impostazioni pan, tilt e zoom (PTZ) della videocamera.

Gestione dei livelli audio

La Videobar VB1 dispone di quattro ingressi audio: i suoi microfoni, l'audio USB, l'audio *Bluetooth* e l'ingresso analogico (jack **Audio In**).

L'unità VB1 dispone inoltre di tre uscite audio: i suoi diffusori, l'audio USB e l'audio *Bluetooth*.

I livelli in tempo reale di tutti questi segnali, eccetto il jack **Audio In**, possono essere visualizzati nella scheda **Meters** della app/interfaccia utente Web di Videobar Configuration.

Riproduzione audio locale

Tramite i diffusori dell'unità VB1 è possibile riprodurre musica o audio di altro tipo proveniente dagli ingressi USB e *Bluetooth* o l'ingresso analogico. Tali segnali non vengono inviati al lato remoto (far end) durante le videoconferenze.

Audio della videoconferenza

L'audio acquisito dai microfoni dell'unità VB1 viene inviato al lato remoto (tramite l'uscita USB) a valle del blocco funzionale AEC (Acoustic Echo Cancellation).

Se una riproduzione audio viene inviata dall'ingresso USB, questa sarà udibile dai diffusori dell'unità VB1, ma la funzione AEC eliminerà la musica dal segnale acquisito dai microfoni dell'unità VB1 prima di inviarla al lato remoto.

Se si desidera inviare la riproduzione audio locale al lato remoto, condividere la app di riproduzione audio tramite il software per videoconferenze.

Regolazione dei livelli audio

L'unità VB1 dispone di due controlli del volume: per i diffusori dell'unità VB1 e per il guadagno dell'ingresso analogico (**Audio In**).

Per regolare il volume dei diffusori dell'unità VB1, utilizzare i pulsanti **Volume +** o **-** sul telecomando, regolare il volume sul computer host oppure regolare il volume dell'audio *Bluetooth*. Questi tre livelli di volume sono sempre sincronizzati, quindi regolandone uno vengono regolati tutti.

Nota: tutte le funzioni del telecomando sono disponibili anche dalle app che consentono di configurare la Videobar VB1. Vedere **Applicazioni software (pagina 23)** per ulteriori informazioni.

Se necessario, modificare l'impostazione **Analog Input Gain** per regolare il trim del segnale inviato al jack **Audio In** in modo che corrisponda ai livelli nominali del computer host e dell'audio *Bluetooth*. L'operazione è possibile dalla app o dall'interfaccia utente Web di Videobar Configuration oppure dalla app Videobar Administration (vedere **Applicazioni software (pagina 23)**).

Gestione dei dispositivi *Bluetooth*

La VB1 può essere accoppiata a un solo dispositivo *Bluetooth* per volta. Ad esempio, non può essere accoppiata ad un dispositivo utilizzando la app Videobar Mobile e ad un altro dispositivo per le chiamate o la riproduzione audio.

Pairing di un dispositivo *Bluetooth* con l'unità VB1

Il pairing tra il dispositivo *Bluetooth* e l'unità VB1 viene eseguito dalla app Videobar Mobile tramite una connessione *Bluetooth* Low Energy (BLE). Le unità VB1 nelle vicinanze vengono "rilevate" automaticamente dalla app.

Per accoppiare un dispositivo *Bluetooth* all'unità VB1 tramite la app Videobar Mobile, avviare la app e selezionare l'unità VB1 desiderata. L'indicatore *Bluetooth* sul pannello anteriore dell'unità VB1 resta acceso con luce bianca fissa una volta realizzato il collegamento. Vedere **App Videobar Mobile (pagina 26)** per ulteriori informazioni.

Per accoppiare un dispositivo *Bluetooth* per le chiamate o la riproduzione audio:

1. Premere il pulsante ***Bluetooth*** sul lato dell'unità VB1 (oppure tenere premuto il pulsante *Bluetooth* sul telecomando per 3 secondi) per attivare la modalità di pairing dell'unità VB1. L'indicatore *Bluetooth* sul pannello anteriore dell'unità VB1 lampeggia con luce blu.
2. Sul dispositivo *Bluetooth*, ricercare altri dispositivi *Bluetooth* disponibili e selezionare l'unità VB1. L'indicatore *Bluetooth* sul pannello anteriore dell'unità VB1 resta acceso con luce bianca fissa una volta realizzato il collegamento.

Disconnessione di un dispositivo *Bluetooth* dall'unità VB1

L'unità VB1 non si ricollega automaticamente a un dispositivo *Bluetooth* precedentemente accoppiato. Una volta persa la connessione *Bluetooth* (a causa della distanza, di una disconnessione interna o del pairing di un altro dispositivo), sarà necessario rieseguire la procedura di pairing.

Per scollegare un dispositivo *Bluetooth* dalla VB1, procedere con una delle seguenti azioni:

Disattivare la funzione *Bluetooth* sul dispositivo mobile.

Premere il pulsante ***Bluetooth*** sul lato dell'unità VB1.

Tenere premuto il pulsante ***Bluetooth*** sul telecomando per 3 secondi.

Modalità di risparmio energetico

Le normative energetiche di alcuni paesi richiedono che prodotti come l'unità VB1 entrino in modalità di risparmio energetico quando non utilizzati per risparmiare energia. Questa funzione dell'unità VB1 può essere disattivata (o riattivata) tramite la app o l'interfaccia utente Web di Videobar Configuration oppure tramite la app Videobar Administration (vedere **Applicazioni software (pagina 23)**).

La funzionalità di risparmio energetico dell'unità VB1 prevede due modalità: una di **standby** e una di **standby a basso consumo**.

Se la funzionalità di risparmio energetico è attivata, la VB1 entra in modalità di standby dopo 18 minuti di inattività. Dopo 2 ulteriori ore di inattività, si attiva la modalità di standby a basso consumo. In entrambe le modalità, la barra luminosa della VB1 è spenta.

Se la funzionalità di risparmio energetico è disattivata, sono disattivate entrambe le modalità.

Alcune azioni o comandi possono prevenire l'attivazione della modalità di standby dell'unità VB1 oppure "risvegliare" l'unità dalla modalità di standby o dalla modalità di standby a basso consumo (in entrambi i casi riportandola al funzionamento normale).

Azione o comando	Previene l'attivazione della modalità di standby dell'unità VB1.	"Risveglia" l'unità VB1 dalla modalità di standby.	"Risveglia" l'unità VB1 dalla modalità di standby a basso consumo.
Premere il pulsante	Pulsante Mute o Bluetooth sul lato dell'unità VB1	✓	✓
	Qualsiasi pulsante sul telecomando	✓	✓
USB	Connessione del dispositivo alla porta USB-C		✓
	Comunicazione dalla app o dall'interfaccia utente Web di Videobar Configuration	✓	
	Riproduzione audio	✓	✓
Bluetooth	Connessione attiva	✓	✓
	Riproduzione audio	✓	✓
Wi-Fi o Ethernet	Comunicazione dalla app o dall'interfaccia utente Web di Videobar Configuration	✓	✓
	Comunicazione dalla app Videobar Administration	✓	✓
HDMI Display	Computer collegato alla porta HDMI Display con DisplayLink abilitato	✓	✓
Audio In	Riproduzione audio	✓	✓

MANUTENZIONE

Pulizia dell'unità VB1

Può essere necessario pulire periodicamente l'unità VB1.

Pulire la superficie esterna con un panno morbido e asciutto.

Non esporre la griglia o le connessioni di cavi/fili all'umidità.

Parti di ricambio e accessori

È possibile ordinare parti di ricambio e accessori tramite il servizio clienti Bose Professional. Visitare [boseprofessional.com](https://www.boseprofessional.com).

Garanzia limitata

La Videobar VB1 è coperta da una garanzia limitata. Per dettagli sulla garanzia limitata, visitare il nostro sito web all'indirizzo [boseprofessional.com/warranty](https://www.boseprofessional.com/warranty).

Posizioni del numero di serie

Il numero di serie e il numero di modello si trovano sul pannello posteriore del prodotto.

Il numero di serie può essere visualizzato anche nella app o nell'interfaccia utente Web di Videobar Configuration oppure nella app Videobar Administration (vedere **Applicazioni software (pagina 23)**).

Ripristino delle impostazioni predefinite di fabbrica

Il ripristino delle impostazioni predefinite di fabbrica ha i seguenti effetti:

Azzerare l'elenco di dispositivi *Bluetooth* accoppiati all'unità VB1.

Azzerare i preset della videocamera (Preset 1 e Preset 2).

Riporta tutte le impostazioni della videocamera, dei microfoni e dei diffusori ai valori predefiniti. Molte di queste impostazioni vengono configurate nel software Videobar Configuration o Videobar Administration.

Resetta la password dell'amministratore a **Bose123!**

Nota: una volta ripristinata la password, si consiglia di modificarla.

Per ripristinare tutte le impostazioni dell'unità VB1 ai valori predefiniti di fabbrica, procedere con una delle seguenti azioni:

Sul telecomando, tenere premuti simultaneamente i pulsanti **Home** e **Autoframe** per 5 secondi.

Sul lato dell'unità VB1, tenere premuti simultaneamente i pulsanti **Mute** e **Bluetooth** per 5 secondi.

Un piccolo tratto al centro della barra luminosa lampeggia ripetutamente in bianco. Le spie si spostano quindi dal centro verso l'esterno, fino ad accendere l'intera barra luminosa. Quindi, le luci si spengono secondo lo stesso schema. Al termine del processo, l'unità VB1 si riavvia con le impostazioni predefinite di fabbrica.

Password dimenticata

Nel caso in cui la password di accesso alle impostazioni di configurazione dell'amministratore venisse dimenticata, sarà necessario ripristinare le impostazioni predefinite di fabbrica per resettare la password (vedere **Ripristino delle impostazioni predefinite di fabbrica (pagina 42)**).

Nota: una volta ripristinata la password, si consiglia di modificarla.

Aggiornamento del software

Le app Videobar Configuration e Videobar Administration consentono di verificare la disponibilità di aggiornamenti del firmware dell'unità VB1 e di installarli. Vedere **Applicazioni software (pagina 23)** per istruzioni su come scaricare e installare queste applicazioni software.

Se la VB1 viene configurata tramite l'**interfaccia utente Web di Videobar Configuration**, potrebbe non essere possibile procedere automaticamente al controllo della disponibilità di aggiornamenti del firmware e alla loro installazione dal server online, a meno che anche il computer non sia collegato a Internet.

Se non è possibile accedere agli aggiornamenti del firmware mentre si utilizza l'interfaccia utente Web, procedere con una delle seguenti azioni:

Utilizzare la app **Videobar Configuration**.

Utilizzare la app **Videobar Administration**.

Scaricare il file del firmware direttamente sul computer, quindi utilizzare l'**interfaccia utente Web di Videobar Configuration** per aggiornare il firmware come se fosse una versione precedente.

RISOLUZIONE DEI PROBLEMI

Provare prima queste soluzioni.

In caso di problemi con l'unità VB1, provare prima queste soluzioni:

Verificare che l'unità VB1 sia collegata all'alimentazione.

Verificare che tutti i cavi connessi al pannello posteriore siano collegati correttamente. Vedere **Connessioni dei cavi (pagina 20)**.

Controllare l'indicatore di stato. Vedere **Pannello anteriore (pagina 27)**.

Verificare che il dispositivo mobile supporti le connessioni *Bluetooth*.

Controllare l'eventuale disponibilità di aggiornamenti software per l'unità VB1. Vedere **Aggiornamento del software (pagina 42)**.

Avvicinare il dispositivo *Bluetooth* all'unità VB1 allontanandolo da eventuali ostacoli o fonti di interferenza.

Regolare il volume dell'unità VB1, del computer, del dispositivo *Bluetooth* o di qualsiasi altra sorgente audio. Vedere **Gestione dei livelli audio (pagina 38)**.

Se il problema persiste, consultare la seguente tabella per individuare i sintomi e le possibili soluzioni per i problemi più comuni. Se non si è in grado di risolvere il problema, contattare il servizio clienti Bose Professional. Visitare il sito boseprofessional.com.

Problema	Cosa fare
Si sente musica ma il PC non è collegato.	Controllare se l'indicatore <i>Bluetooth</i> è acceso con luce bianca fissa. Se questo è il caso, l'unità VB1 potrebbe essere già collegata a un altro dispositivo <i>Bluetooth</i> . Premere il pulsante Bluetooth sul lato dell'unità VB1 per scollegarlo.
L'audio è troppo basso o non si sente affatto.	Il volume potrebbe essere troppo basso. Alzare il volume tramite: <ul style="list-style-type: none"> Il telecomando dell'unità VB1 Il dispositivo mobile <i>Bluetooth</i> collegato (se utilizzato) Il software per videoconferenze (volume degli speaker) Se ancora non è possibile udire audio, verificare che la Videobar VB1 sia selezionata come speaker nel software per videoconferenze.

Problema	Cosa fare
Il suono è distorto.	<p>Il volume potrebbe essere troppo alto. Abbassare il volume tramite:</p> <ul style="list-style-type: none"> Il telecomando dell'unità VB1 Il dispositivo mobile <i>Bluetooth</i> collegato (se utilizzato) Il software per videoconferenze (volume degli speaker)
La modifica del volume sul computer utilizzato non ha alcun effetto sul volume dell'unità VB1.	<p>L'unità VB1 potrebbe non essere selezionata come dispositivo predefinito per la riproduzione audio sul computer utilizzato (anche se il software per videoconferenze funziona correttamente con l'unità VB1).</p> <p>Windows: fare clic sull'icona speaker nell'area di notifica (sulla barra delle applicazioni) e selezionare Videobar VB1 come dispositivo per la riproduzione audio.</p> <p>macOS: fare clic sull'icona Apple nell'angolo superiore sinistro dello schermo, selezionare System Preferences, fare clic su Sound, quindi su Output. Selezionare Videobar VB1 nell'elenco di dispositivi.</p>
Il livello di volume del computer o del dispositivo mobile utilizzato è cambiato improvvisamente non appena è stato collegato all'unità VB1.	<p>Ciò è normale. L'unità VB1 sincronizza automaticamente il livello di volume di tutti i dispositivi non appena si collegano ad essa.</p>
La Videobar VB1 non appare nell'elenco dei microfoni, degli speaker o delle videocamere disponibili nel software per videoconferenze.	<p>Attendere circa 30 secondi perché il computer riconosca l'unità VB1 come microfono, speaker e videocamera.</p> <p>Se il problema persiste, provare le seguenti soluzioni:</p> <ul style="list-style-type: none"> Verificare che il cavo USB sia collegato correttamente al computer. Provare a collegarlo a una porta USB diversa sullo stesso computer. Verificare che l'unità VB1 sia accesa (correttamente collegata al suo connettore di alimentazione). Verificare che il cavo USB sia collegato correttamente alla porta USB-C sul pannello posteriore dell'unità VB1. Provare a utilizzare un cavo USB più corto.

Problema	Cosa fare
Il software per videoconferenze visualizza un messaggio secondo il quale il video non funziona o non può essere avviato.	Solitamente, questo succede quando la app Videobar Configuration o un altro client Unified Communications sta già utilizzando e controllando la videocamera. Chiudere l'altra app che sta utilizzando la funzione video.
Quando si prova a realizzare la connessione con l'unità VB1 tramite l'interfaccia utente Web di Videobar Configuration, il browser visualizza un'avvertenza di sicurezza.	Questo è normale, poiché l'unità VB1 non fornisce un certificato di sicurezza basato su un indirizzo IP allocato dinamicamente. Vedere App o interfaccia utente Web di Videobar Configuration (pagina 24) per istruzioni specifiche. In caso di dubbi sulle operazioni da eseguire sul computer, nel browser Web, ecc., consultare prima l'amministratore IT/del sistema.
Sul secondo schermo non viene visualizzata alcuna immagine video (dalla porta HDMI Display).	<p>Provare le seguenti soluzioni:</p> <p>Verificare che lo schermo sia acceso.</p> <p>Verificare che l'ingresso/sorgente impostato sullo schermo sia la porta HDMI alla quale è collegata l'unità VB1.</p> <p>Verificare che il cavo HDMI sia correttamente connesso all'unità VB1 e allo schermo.</p> <p>Verificare che sul computer sia installato il driver DisplayLink più recente (displaylink.com/downloads).</p> <p>Verificare che il computer sia impostato su "estendi" per un secondo schermo (anziché su "speculare" o "duplica").</p> <p>Verificare che l'impostazione DisplayLink sia abilitata nel software Videobar Configuration.</p>
Il computer in uso rileva l'unità VB1 come secondo schermo anche quando non è collegato alla porta HDMI Display .	Verificare che le impostazioni per lo schermo del computer siano su "speculare" o "duplica" (anziché su "estendi" per un secondo schermo).
L'immagine video sul secondo schermo (dalla porta HDMI Display) non è sincronizzata con il segnale audio.	Abbassare la risoluzione della visualizzazione video nelle impostazioni dello schermo del computer in uso.

Problema	Cosa fare
L'immagine video sul secondo schermo (dalla porta HDMI Display) è distorta.	Verificare che sia stato utilizzato un cavo fornito da Bose Professional o comunque un cavo certificato USB. Verificare inoltre che il cavo non sia in qualche modo danneggiato.
La videocamera zooma in avanti e indietro senza alcun intervento manuale.	Potrebbe essere abilitata la funzione Autoframing della videocamera. Premere il pulsante Autoframe sul telecomando per disabilitarla. Alcune app software per videoconferenze incorporano una funzione di autoframing che potrebbe tagliare l'immagine o cambiare il fattore di zoom della videocamera. Se possibile, disattivare questa funzione nel software per videoconferenze.
L'indicatore <i>Bluetooth</i> lampeggia in blu.	Ciò è normale. Questo indica che l'unità VB1 è in modalità di pairing <i>Bluetooth</i> (il pulsante <i>Bluetooth</i> sul lato dell'unità VB1 o sul telecomando potrebbe essere stato premuto accidentalmente).
L'indicatore <i>Bluetooth</i> è acceso con luce bianca fissa.	Ciò è normale. Questo indica che l'unità VB1 è connessa a un dispositivo mobile <i>Bluetooth</i> per musica o chiamate oppure alla app Videobar Mobile.
La barra luminosa è accesa.	Se la barra luminosa è completamente accesa, è in corso una videoconferenza. Se solo una sezione minima della barra luminosa è accesa, non è in corso alcuna videoconferenza. L'unità VB1 è semplicemente accesa. Vedere Barra luminosa (pagina 31) per ulteriori informazioni.
Una sezione minima al centro della barra luminosa è accesa con luce fissa verde.	Ciò è normale. Ciò indica che la videocamera dell'unità VB1 è accesa. Se gli altri tratti della barra luminosa sono accesi con luce fissa bianca, è in corso una videoconferenza. Se gli altri tratti della barra luminosa sono spenti, non è in corso alcuna videoconferenza.

Lees alle veiligheids- en beveiligingsinstructies en de gebruiksaanwijzing door en bewaar deze.

Belangrijke veiligheidsinstructies

Ga voor meer informatie over uw Bose Professional Videobar VB1 (inclusief accessoires en vervangende onderdelen) naar boseprofessional.com/VB1 of neem contact op met de klantenservice van Bose Professional.

1. Lees deze instructies door.
2. Bewaar deze instructies.
3. Neem alle waarschuwingen in acht.
4. Volg alle instructies.
5. Gebruik dit product niet in de buurt van water.
6. Alleen met een droge doek reinigen.
7. Zorg dat u de ventilatieopeningen niet blokkeert. Installeer het product volgens de instructies van de fabrikant.
8. Installeer niet in de buurt van warmtebronnen, zoals radiatoren, warmteroosters, kachels of andere apparaten (waaronder versterkers) die warmte produceren.
9. Zorg dat er niet op het netsnoer wordt gestaan of gelopen en dat het niet wordt afgeknelde, met name bij de stekkers en stopcontacten en het punt waar deze uit het apparaat komen.
10. Gebruik uitsluitend aansluitstukken/accessoires die door de fabrikant worden gespecificeerd.
11.  Gebruik het apparaat uitsluitend in combinatie met het verrijdbare plateau, het statief, de beugel of de tafel die door de fabrikant worden vermeld of samen met het apparaat worden verkocht. Als u een verrijdbaar plateau gebruikt, moet u het apparaat en het plateau voorzichtig verplaatsen zodat deze niet kunnen omvallen en letsel veroorzaken.
12. Haal de stekker van dit apparaat uit het stopcontact bij onweer of als het langere tijd niet wordt gebruikt.
13. Laat alle reparaties en onderhoud over aan bevoegde personen. Reparatie is vereist als het apparaat is beschadigd, zoals wanneer het snoer of de stekker van de voeding is beschadigd, wanneer er vloeistof in het apparaat is terechtgekomen of voorwerpen in het apparaat zijn gevallen, wanneer het apparaat is blootgesteld aan regen of vocht, niet normaal werkt of is gevallen.

WAARSCHUWINGEN



Dit symbool op het product betekent dat er een niet-geïsoleerde, gevaarlijke spanning aanwezig is binnen de behuizing van het product die kan leiden tot een risico op elektrische schokken.



Dit symbool op het product betekent dat deze handleiding belangrijke bedienings- en onderhoudsinstructies bevat.



Bevat kleine onderdelen die een verstikkingsgevaar kunnen vormen. Niet geschikt voor kinderen jonger dan 3 jaar.



Dit product bevat magnetisch materiaal. Raadpleeg uw arts om te vragen of dit invloed kan hebben op uw geïmplanteerde medische hulpmiddel.



Uitsluitend gebruiken op een hoogte van minder dan 2000 meter.

Alle Bose Professional-producten moeten worden geïnstalleerd volgens de plaatselijke en landelijke voorschriften en industriënormen. Het is de verantwoordelijkheid van de installateur om ervoor te zorgen dat de installatie van de luidsprekers en het montagesysteem gebeurt met inachtneming van alle van toepassing zijnde voorschriften, waaronder plaatselijke bouwvoorschriften. Neem contact op met de juiste plaatselijke overheidsinstanties voordat u dit product installeert.

Bij het plaatsen van het product mogen de ventilatieopeningen van het beeldscherm niet worden geblokkeerd. Raadpleeg de gebruikershandleiding van het beeldscherm en installeer dit volgens de instructies.

Er mogen GEEN wijzigingen aan dit product worden aangebracht door onbevoegden.

Gebruik als vervangende batterijen alleen AAA/LR03-alkalinebatterijen.

Die mit diesem Produkt mitgelieferte Batterie kann bei unsachgemäßer Handhabung Feuer, Explosion oder Verätzungen verursachen, wenn sie falsch behandelt, nicht richtig ausgetauscht oder durch einen falschen Typ ersetzt wird. Sie dürfen nicht wieder aufgeladen, geöffnet, erhitzt oder entzündet werden.

Houd batterijen buiten het bereik van kinderen.

Als een batterij lekt, zorg dan dat de vloeistof niet in aanraking komt met huid of ogen. Bij aanraking dient u medische hulp in te roepen.

Producten die batterijen bevatten niet blootstellen aan overmatige warmte (zoals direct zonlicht, vuur en dergelijke).

Gebruik alleen de meegeleverde hardware om dit product te bevestigen.

Alleen voor wandmontage op de volgende oppervlakken: Gipsplaat ≥ 10 mm

Bij montage op andere oppervlakken dan hierboven vermeld neemt u contact op met een professionele installateur.

De bij het systeem geleverde aansluitkabels zijn niet goedgekeurd voor installatie in een muur. Raadpleeg de plaatselijke bouwvoorschriften voor het juiste type bedrading en kabels voor installatie in een muur.

Niet bevestigen aan oppervlakken die niet sterk zijn of die mogelijke risico's opleveren, bijvoorbeeld vanwege elektrische bedrading of waterleidingen.

Gebruik het NIET in voertuigen of boten.

Omwille van de ventilatievereisten raadt Bose Professional af om het product in een besloten ruimte te plaatsen, zoals in een nis in de muur of een dichte kast.

Plaats of installeer de beugel of het product niet in de buurt van warmtebronnen, zoals open haarden, radiatoren, verwarmingsroosters of andere apparaten (waaronder versterkers) die warmte produceren.

Houd het product uit de buurt van vuur en warmtebronnen. Plaats GEEN open vlammen, zoals brandende kaarsen, op of bij het product.

Om het risico op brand of elektrische schokken te verlagen, mag het product NIET worden blootgesteld aan regen, vloeistof of vocht.

Stel dit product NIET bloot aan druppelende of spattende vloeistoffen en plaats geen met vloeistof gevulde voorwerpen, zoals vazen, op of bij het product.

Dit product is niet bedoeld voor installatie of gebruik in overdekte ruimten voor wateractiviteiten (waaronder overdekte zwembaden, overdekte waterparken, stoomruimten, sauna's, bubbelbadkamers en overdekte ijsbanen).

Monteer het product niet op locaties waar condensatie kan optreden.

Gebruik GEEN omvormer in combinatie met dit product.

Dit product mag alleen worden gebruikt met de bijgeleverde voeding.

Wanneer de stekker of aansluiting van een apparaat als stroomonderbreker wordt gebruikt, dient deze stroomonderbreker steeds goed bereikbaar te zijn.

Wettelijk verplichte informatie

Afmetingen (h x b x d): 48 × 659 × 102 mm

Nettogewicht: 2,5 kg

Ingangsspecificaties: 24 VDC —, 1,875 A

Dit apparaat moet worden geïnstalleerd en gebruikt met een minimale afstand van 20 cm tussen de radiator en uw lichaam.

Afgeschermd kabels zijn vereist om aan de regelgeving te voldoen

CAN ICES-3 (B)/NMB-3(B)

Informatie over producten die elektrische ruis genereren (FCC Compliance Notice voor de VS)

OPMERKING: Dit apparaat is getest en voldoet aan de limieten voor een digitaal apparaat van de klasse B, volgens deel 15 van de FCC-voorschriften. Deze normen zijn opgesteld om redelijke bescherming te bieden tegen schadelijke storing bij installatie in een woonomgeving. Dit apparaat genereert en gebruikt radiofrequente energie en kan deze uitzenden en het kan, als het niet wordt geïnstalleerd en gebruikt volgens de instructies, schadelijke storing veroorzaken aan radiocommunicatie. Er is echter geen garantie dat er geen storing zal optreden bij een bepaalde installatie. Als dit apparaat schadelijke storing veroorzaakt aan de ontvangst van radio of tv, hetgeen kan worden bepaald door het apparaat aan en uit te zetten, kunt u proberen de storing te verhelpen aan de hand van een of meer van de volgende maatregelen:

Richt de ontvangstantenne opnieuw of verplaats deze.

Ver groot de afstand tussen de apparatuur en de ontvanger.

Sluit de apparatuur aan op een stopcontact van een andere groep dan de groep waarop de ontvanger is aangesloten.

Voor hulp neemt u contact op met de dealer of een ervaren radio- of tv-technicus.

Veranderingen of aanpassingen die niet uitdrukkelijk zijn goedgekeurd door Bose Professional kunnen leiden tot het vervallen van de bevoegdheid van de gebruiker om dit apparaat te gebruiken.

Dit apparaat voldoet aan deel 15 van de FCC-voorschriften en aan de RSS-norm(en) van ISED Canada voor vergunningsvrije apparaten.

Op het gebruik zijn de volgende twee voorwaarden van toepassing: (1) Dit apparaat mag geen schadelijke storing veroorzaken, en (2) dit apparaat moet bestand zijn tegen alle externe storing, waaronder storing die een ongewenste werking tot gevolg kan hebben.

Management Regulation for Low-power Radio-frequency Devices (Voorschrift voor het beheer van radiofrequente apparaten met laag vermogen)

Artikel XII: Volgens de 'Management Regulation for Low-power Radio-frequency Devices' mogen bedrijven, ondernemingen of gebruikers zonder toestemming van de NCC de oorspronkelijke eigenschappen en werking van goedgekeurde radiofrequente apparaten met laag vermogen niet wijzigen en evenmin de frequentie daarvan wijzigen of het zendvermogen verhogen.

Artikel XIV: Radiofrequente apparaten met laag vermogen mogen de veiligheid van vliegtuigen niet beïnvloeden en wettelijke communicaties niet verstoren. Als een dergelijke storing wordt vastgesteld, moet de gebruiker onmiddellijk stoppen met het gebruik van het apparaat tot dit niet langer storing veroorzaakt. Onder de genoemde wettelijke communicaties wordt verstaan radiocommunicatie die in overeenstemming is met de telecommunicatiewet.

Radiofrequente apparaten met laag vermogen moeten bestand zijn tegen storing van wettelijke communicaties of apparaten die ISM-radiogolven uitzenden.

CE Bose Professional verklaart hierbij dat dit product voldoet aan de essentiële vereisten en andere relevante bepalingen van richtlijn 2014/53/EU en alle andere vereisten van de toepasselijke EU-richtlijnen. De volledige conformiteitsverklaring kunt u vinden op: www.Bose.com/compliance.

UK CA Dit product voldoet aan alle van toepassing zijnde Electromagnetic Compatibility Regulations 2016 en alle andere van toepassing zijnde voorschriften in het VK. De volledige conformiteitsverklaring kunt u vinden op: www.Bose.com/compliance.

Bose Professional verklaart hierbij dat dit product voldoet aan de essentiële vereisten in overeenstemming met de Radio Equipment Regulations 2017 en alle toepasselijke regelgeving in het VK. De volledige conformiteitsverklaring kunt u vinden op: www.Bose.com/compliance.

Dit apparaat voor gebruik bij 5150-5250 MHz is uitsluitend bestemd voor gebruik binnenshuis, om het risico op schadelijke storing aan mobiele satellietstelsystemen op hetzelfde kanaal te verminderen.

Voor Europa:

Frequentieband 2400 tot 2483,5 MHz:

Bluetooth®/Wi-Fi: maximaal zendvermogen minder dan 20 dBm EIRP.

Bluetooth Low Energy: spectrale dichtheid bij maximaal vermogen minder dan 10 dBm/MHz EIRP.

Frequentiebanden 5150 tot 5350 MHz en 5470 tot 5725 MHz:

Wi-Fi: maximaal zendvermogen minder dan 20 dBm EIRP.

Dit apparaat is beperkt tot gebruik binnenshuis bij gebruik in de 5150-5350 MHz-frequentieband in alle in de tabel vermelde EU-lidstaten.

	BE	DK	IE	UK (NI)	FR	CY	SK	HU	AT	SE	BG	DE	PT	EL
	HR	LV	LT	MT	PL	CZ	EE	FI	ES	IT	RO	LU	NL	SI



Dit symbool betekent dat het product niet mag worden weggegooid als huishoudelijk afval en naar een geschikt inzamelpunt voor recycling moet worden gebracht. Het op de juiste wijze afvoeren en recylen helpt natuurlijke hulpbronnen, de menselijke gezondheid en het milieu te beschermen. Voor meer informatie over het afvoeren en recylen van dit product neemt u contact op met de gemeente waar u woont, de afvalverwerkingsdienst of de winkel waar u dit product hebt gekocht.



Werp gebruikte batterijen weg op de juiste manier en neem daarbij de plaatselijke voorschriften in acht. Niet verbranden.



Tabel m.b.t. de beperking van gevaarlijke stoffen in China

Namen van en gehalte aan giftige of gevaarlijke stoffen of elementen						
Giftige of gevaarlijke stoffen en elementen						
Naam onderdeel	Lood (Pb)	Kwik (Hg)	Cadmium (Cd)	Zeswaardig chroom (Cr(VI))	Polybroombifenyl (PBB)	Polybroomdifenylether (PBDE)
PCB's	X	0	0	0	0	0
Metalen onderdelen	X	0	0	0	0	0
Kunststof onderdelen	0	0	0	0	0	0
Luidsprekers	X	0	0	0	0	0
Kabels	X	0	0	0	0	0

Deze tabel is opgesteld in overeenstemming met de bepalingen van SJ/T 11364.

O: Geeft aan dat het gehalte aan deze giftige of gevaarlijke stof in alle homogene materialen van dit onderdeel onder de maximaal toegelaten waarden in GB/T 26572 ligt.

X: Geeft aan dat de giftige of gevaarlijke stof in minstens één van de voor dit onderdeel gebruikte homogene materialen boven de maximaal toegelaten waarden in GB/T 26572 ligt.

Tabel m.b.t. de beperking van gevaarlijke stoffen in Taiwan

Naam van het product: Bose Videobar VBI Typeaanduiding: 433869						
Stoffen waarvoor beperkingen gelden, met de bijbehorende chemische symbolen						
Onderdeel	Lood (Pb)	Kwik (Hg)	Cadmium (Cd)	Zeswaardig chroom (Cr+6)	Polybroombifenylen (PBB)	Polybroomdifenylethers (PBDE)
PCB's	—	○	○	○	○	○
Metalen onderdelen	—	○	○	○	○	○
Kunststof onderdelen	○	○	○	○	○	○
Luidsprekers	—	○	○	○	○	○
Kabels	—	○	○	○	○	○

Opmerking 1: 'O' geeft aan dat de procentuele inhoud van de stof waarvoor beperkingen gelden het percentage van de referentiewaarde voor aanwezigheid niet overschrijdt.

Opmerking 2: '—' geeft aan dat de stof waarvoor beperkingen gelden overeenkomt met de uitzondering.

Fabricagedatum: Het achtste cijfer in het serienummer geeft het fabricagejaar aan, '3' is 2013 of 2023.

Importeur in China: Bose Electronics (Shanghai) Company Limited, Level 6, Tower D, No. 2337 Gudai Rd. Minhang District, Shanghai 201100

Europese importeur: Bose Products B.V., Gorslaan 60, 1441 RG Purmerend, Nederland

Importeur in Mexico: Bose de México, S. de R.L. de C.V., Paseo de las Palmas 405-204, Lomas de Chapultepec, 11000 México, D.F. Telefoonnummer: +52 55 52 02 35 45

Importeur in het VK: Bose Limited Bose House, Quayside Chatham Maritime, Chatham, Kent, ME4 4QZ, United Kingdom

Bose Corporation, Framingham, MA 01701, U.S.A. 1-877-230-5639

Tabel met stroomstatus van product

Het product voldoet aan de hieronder vermelde normen of documenten, in overeenstemming met de Richtlijn 2009/125/EG betreffende de eisen inzake ecologisch ontwerp voor energierelevante producten: Verordening (EG) nr. 1275/2008, als gewijzigd door Verordening (EU) nr. 801/2013.

Vereiste informatie over stroomopname	Energie modi	
	Stand-by	Netwerk op stand-by
Stroomverbruik in gespecificeerde energiemodus, bij ingangsspanning van 230 V/50 Hz	≤ 0,5 W	Wi-Fi, ethernet, <i>Bluetooth</i> ≤ 2,0 W
Tijd waarna de apparatuur automatisch naar de modus wordt overgeschakeld	≤ 2,5 uur	≤ 20 minuten
Energieverbruik met het netwerk op stand-by als alle bedrade netwerkpoorten aangesloten zijn en alle draadloze netwerkpoorten geactiveerd zijn, bij een ingangsspanning van 230 V/50 Hz	≤ 2,0 W	≤ 2,0 W
Deactiverings-/activeringsprocedures van netwerkpoorten. Door het deactiveren van alle netwerken wordt de stand-by modus ingeschakeld.	<p>Wi-Fi: Deactiveer door de fabrieksinstellingen te herstellen: Houd de knoppen Home en Autoframe op de afstandsbediening tegelijkertijd 5 seconden ingedrukt of houd de knoppen Mute en <i>Bluetooth</i> aan de zijkant van het apparaat tegelijkertijd 5 seconden ingedrukt. Activeer via de applicatie Videobar Mobile.</p> <p>Ethernet: Deactiveer door de ethernetkabel los te koppelen. Activeer door de Ethernet-kabel aan te sluiten.</p> <p>Bluetooth: Deactiveer door de fabrieksinstellingen te herstellen: Houd de knoppen Home en Autoframe op de afstandsbediening tegelijkertijd 5 seconden ingedrukt of houd de knoppen Mute en <i>Bluetooth</i> aan de zijkant van het apparaat tegelijkertijd 5 seconden ingedrukt. Activeer door te koppelen met een <i>Bluetooth</i>-bron.</p>	

Technische informatie over externe voeding

De externe voedingsbron die bij het product wordt geleverd, voldoet overeenkomstig Richtlijn 2009/125/EG inzake ecologisch ontwerp voor energierelevante producten aan de volgende normen of documenten: Verordening (EU) 2019/1782 van de Commissie.

Fabrikant	Bose Products B.V.
Registratienummer van bedrijf	36037901
Adres	Gorslaan 60 1441 RG Purmerend Nederland
Model-ID	DT24V-1,8C-DC
Ingangsspanning	100 V - 240 V
AC-invoerfrequentie	50 Hz/60 Hz
Uitgangsspanning	24 VDC
Uitgangsstroom	1,9 A
Uitgangsvermogen	45 W
Gemiddelde efficiëntie bij gebruik	89,9%
Efficiëntie bij lage belasting (10%)	87,0%
Onbelast energieverbruik	0,07 W

Licenties en juridische informatie

Bose is een handelsmerk van Bose Corporation.

Videobar is een handelsmerk van Transom Post OpCo LLC.



DisplayLink® is het geregistreerd handelsmerk van DisplayLink Corp. in de EU, de VS en andere landen.



De merknamen HDMI en HDMI High-Definition Multimedia Interface en het HDMI-logo zijn handelsmerken of geregistreerde handelsmerken van HDMI Licensing Administrator Inc.

Android en Google Play zijn handelsmerken van Google LLC.

Het *Bluetooth*®-woordmerk en de bijbehorende logo's zijn gedeponeerde handelsmerken die het eigendom zijn van Bluetooth SIG, Inc. en het gebruik van dergelijke merken door Bose Professional gebeurt onder licentie.

macOS is een handelsmerk van Apple Inc.

USB Type-C® en USB-C® zijn gedeponeerde handelsmerken van USB Implementers Forum en zijn alleen bedoeld voor gebruik met producten die zijn gebaseerd op en voldoen aan de specificatie voor USB Type-C®-kabels en connectoren.

Wi-Fi is een geregistreerd handelsmerk van de Wi-Fi Alliance®.

Alle overige handelsmerken zijn het eigendom van hun respectieve eigenaars.

Als u de openbaarmakingen van licenties wilt bekijken die van toepassing zijn op softwarepakketten van derden die zijn opgenomen als onderdelen van de Videobar VBI:

Videobar VBI: Download en open de **Videobar Mobile** mobiele app, tik op het pictogram **Settings** en tik vervolgens op **Licentieovereenkomst voor eindgebruikers**.

Videobar Mobile mobiele app: Tik op het pictogram **Settings** en vervolgens op **Licentieovereenkomst voor eindgebruikers**.

App of webinterface van Videobar Configuration: Klik op het pictogram **Settings** en vervolgens op **Licentieovereenkomst voor eindgebruikers**.

Videobar Administration-app: Klik op het menu (☰), klik op **Over Videobar Administration** en klik vervolgens op **Licentieovereenkomst voor eindgebruikers**.

Het privacybeleid van Bose Professional is in te zien op [boseprofessional.com](https://www.boseprofessional.com).

©2023 Transom Post OpCo LLC. Niets in deze uitgave mag worden gereproduceerd, gewijzigd, gedistribueerd of op andere wijze worden gebruikt zonder voorafgaande schriftelijke toestemming.

Vul het volgende in en bewaar deze informatie voor uw administratie.

Het serienummer en modelnummer vindt u op het achterpaneel van het product.

Serienummer: _____

Modelnummer: _____

Garantie-informatie

Dit product wordt gedekt door een beperkte garantie.

Ga voor garantie-informatie naar [boseprofessional.com/warranty](https://www.boseprofessional.com/warranty).

WAT ZIT ER IN DE DOOS

Inhoud	10
--------------	----

INSTALLATIE

Algemene richtlijnen voor montage.....	12
De VB1 op een tafel, plank of tv-meubel monteren	13
Wandmontage van de VB1	14
Privacycover voor de camera.....	19
Kabelaansluitingen	20
Kabelbeheer	21

SOFTWAREAPPLICATIES

App en webinterface van Videobar Configuration.....	24
Videobar Administration app.....	26
Videobar Mobile app	26

PRODUCTGEGEVENS

Panelen	27
Voorpaneel.....	27
Zijpaneel.....	28
Achterpaneel	29
Afstandsbediening	30
Lichtbalk.....	31

GEBRUIK

Een vergadering starten.....	34
De camera aanpassen.....	35
De camera resetten.....	35
De pan- en kantelhoek aanpassen.....	35
De zoomverhouding aanpassen.....	36
Een preset opslaan en openen.....	36
Autoframing in-/uitschakelen.....	37
Audioniveaus beheren.....	38
Lokale audio afspelen.....	38
Audio van vergadering.....	38
Audioniveaus aanpassen.....	38
Bluetooth-apparaten beheren.....	39
Een Bluetooth-apparaat koppelen met de VB1.....	39
Een Bluetooth-apparaat ontkoppelen van de VB1.....	39
Energiezuinige modi.....	40

REINIGING EN ONDERHOUD

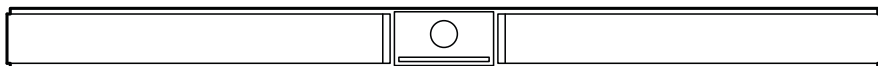
De VB1 schoonmaken.....	41
Vervangende onderdelen en accessoires.....	41
Beperkte garantie.....	41
Locaties van serienummers.....	41
De fabrieksinstellingen herstellen.....	42
Wachtwoord vergeten.....	42
De software bijwerken.....	42

PROBLEMEN OPLOSSEN

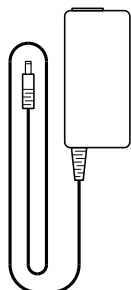
Probeer eerst deze oplossingen.....	43
-------------------------------------	----

WAT ZIT ER IN DE DOOS

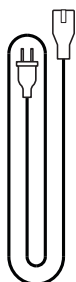
Inhoud



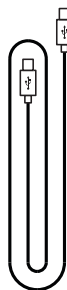
Videobar VB1



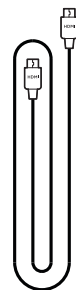
Voeding



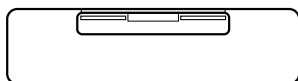
Netsnoer



USB Type-C®-kabel



HDMI-kabel



Tafelstatief

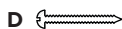
A  Schroef voor tafelstatief (2)



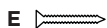
B Grote gipsplaatplug (4)



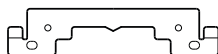
C Drukpen voor gipsplaatplug



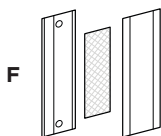
D Cilinderkopschroef (2)



E Platkopschroef (2)



Wandbeugel



F

G  Kleine gipsplaatplug (2)

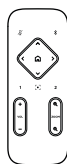
H  Kleine platkopschroef (2)



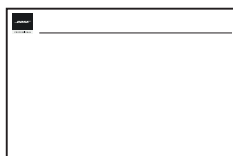
I

J  Kleine gipsplaatplug

K  Kleine platkopschroef



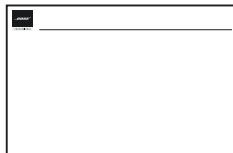
Afstandsbediening



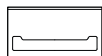
Beknopte handleiding



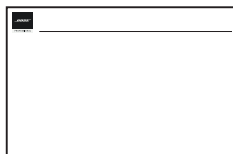
AAA-/LR03-batterijen (2)



Handleiding tafelbevestiging



Privacycover voor camera



Handleiding wandmontage



USB-C-naar-A-adapter



2-pins Euroblock-connector



Veiligheidsinstructies

INSTALLATIE

Algemene richtlijnen voor montage

Plaats de VB1 NIET op de voor-, achter- of bovenkant wanneer deze in gebruik is.
Plaats geen voorwerpen op de VB1.

Plaats de VB1 niet in de buurt van openingen van een airconditioning, verwarming of radiator, of bij ventilatoren of andere geluids- of trillingsbronnen.

Houd andere draadloze apparatuur op een afstand van **0,3 tot 0,9 m** van de VB1 om interferentie van het draadloze signaal te voorkomen. Plaats de VB1 niet in of in de buurt van metalen kasten, andere audio-/videocomponenten en directe warmtebronnen.

Zorg dat er een stopcontact in de buurt is.

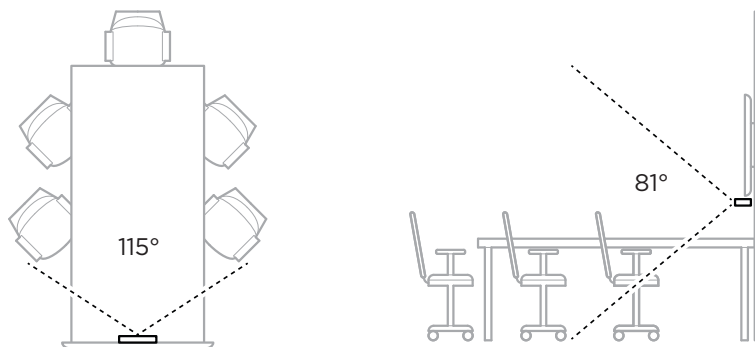
Plaats de VB1 direct onder (bij voorkeur) of boven uw tv met de grille naar de ruimte gericht.

Plaats de VB1 voor de beste geluidskwaliteit niet in een afgesloten kast of diagonaal in een hoek.

Zorg ervoor dat het zitgebied van alle deelnemers aan de vergadering binnen het zichtveld van de camera past. Voor een goede werking van autoframing moeten alle deelnemers aan de vergadering zich in het zichtveld bevinden (zie **Autoframing in-/uitschakelen (Pagina 37)**).

Het zichtveld van de VB1-camera is 115° horizontaal, 81° verticaal.

Zorg ervoor dat de vergaderruimte goed verlicht kan worden tijdens een vergadering.

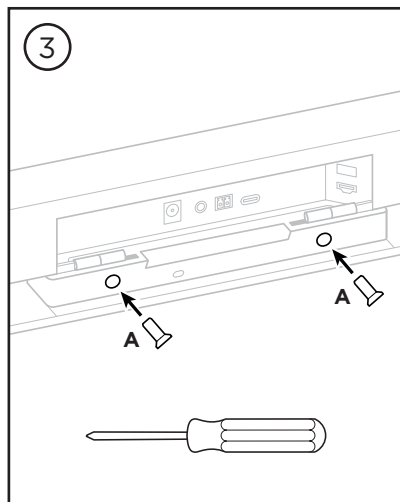
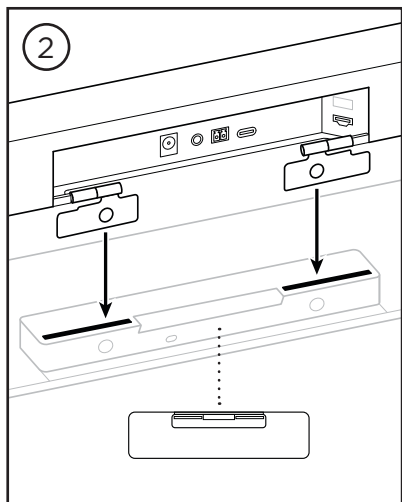
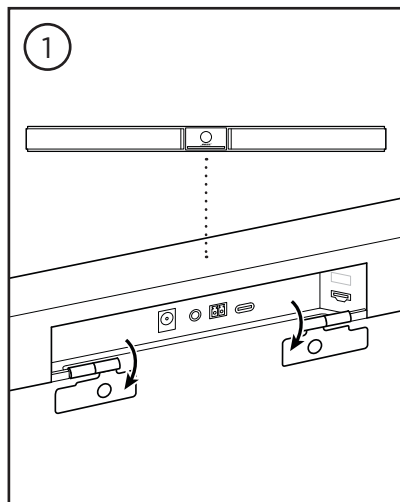
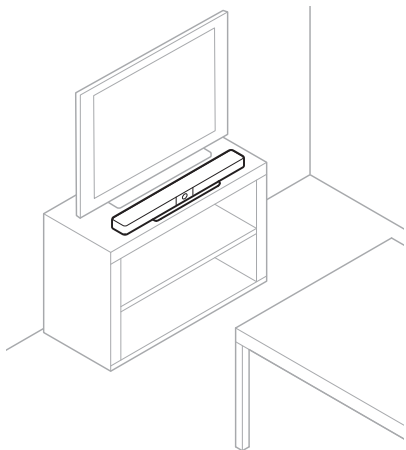


De VB1 op een tafel, plank of tv-meubel monteren

Voor de beste prestaties volgt u de volgende aanbevelingen op wanneer u de VB1 op een tafel, plank, tv-meubel enz. plaatst:

Plaats de VB1 in het tafelstatief op een stabiele en vlakke ondergrond.

Plaats de voorkant van de VB1 zodanig dat het ondersteunende oppervlak niet zichtbaar is in het beeld van de camera. Zorg ervoor dat de vergaderruimte goed verlicht kan worden tijdens een vergadering.



Wandmontage van de VB1

Voor de beste prestaties volgt u de volgende aanbevelingen op bij het installeren van de VB1 aan een wand:

Wanneer u de plaats kiest waar de beugel aan de wand moet worden bevestigd, zorgt u ervoor dat er genoeg ruimte rond de beugel is voor de VB1:

Er moet ten minste **3,8 cm** vrije ruimte boven de beugel voor wandmontage zijn. Hierdoor kunt u de VB1 erop 'hangen' (stap 7) en de hoek van de VB1 aanpassen. Zo is er ook voldoende ruimte voor toegang tot de aansluitingen op het achterpaneel van de VB1.

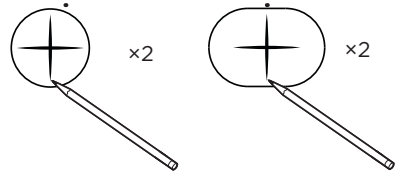
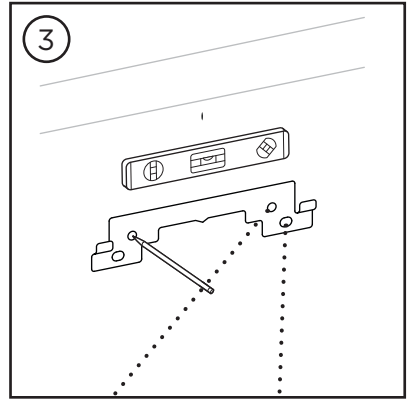
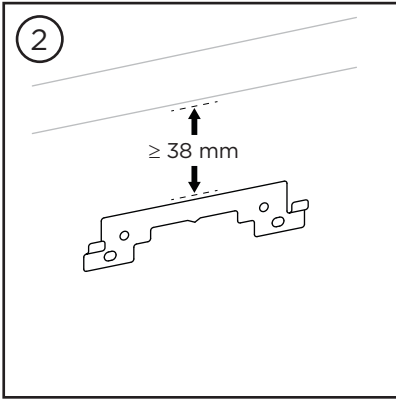
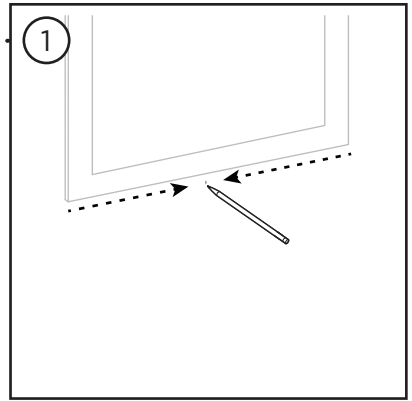
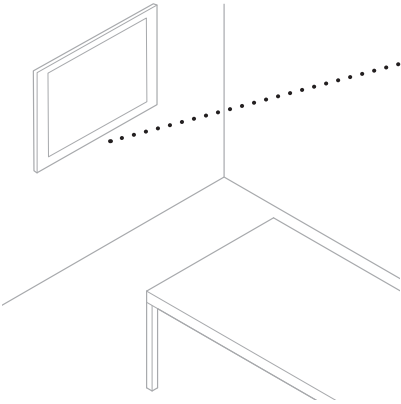
Er moet ten minste **11,4 cm** vrije ruimte onder de beugel voor wandmontage zijn. Hierdoor kunt u tijdens de installatie de VB1 verticaal ophangen om kabels te verbinden en de hoek van de VB1 aan te passen.

De ruimte moet minimaal **73,7 cm** breed zijn, met de beugel voor wandmontage in het midden. Dit is nodig om ruimte te bieden aan de VB1 plus voor toegang tot de akoestische poort en de knoppen aan de zijkanten van de VB1 (aan beide zijden moet **2,5 cm** vrije ruimte zijn).

Gebruik alleen de meegeleverde hardware om dit product te bevestigen.

Opmerking: U hebt extra gereedschap nodig.

Opmerking: Lees de meegeleverde Belangrijke veiligheidsinstructies voordat u verdergaat.



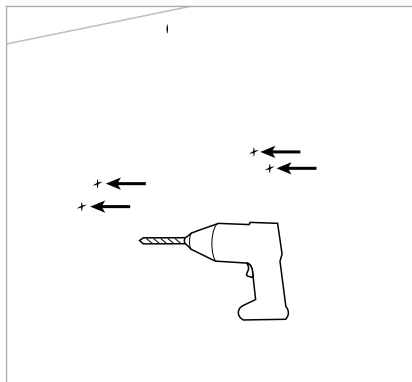
4

WAARSCHUWINGEN:



Niet bevestigen aan oppervlakken die niet sterk zijn of die mogelijke risico's opleveren, bijvoorbeeld vanwege elektrische bedrading of waterleidingen. Neem bij onduidelijkheden contact op met een professionele installateur.

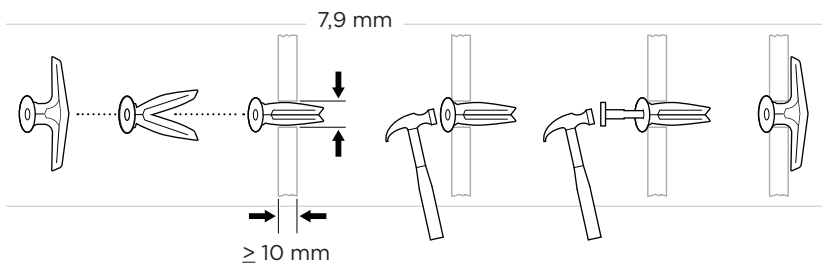
De meegeleverde hardware is niet geschikt voor metselwerk.



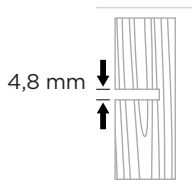
Gipsplaat
7,9 mm

**Houten/metalen
raamwerk**
4,8 mm

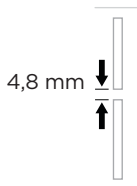
Gipsplaat

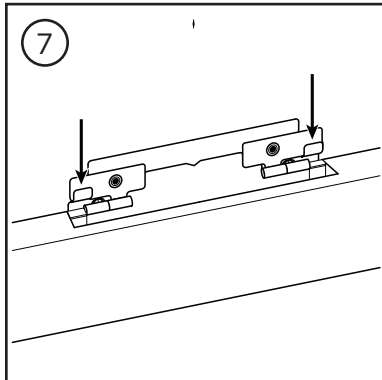
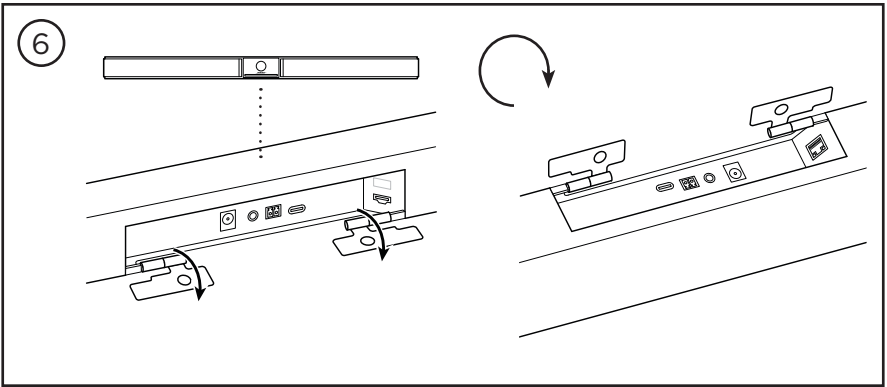
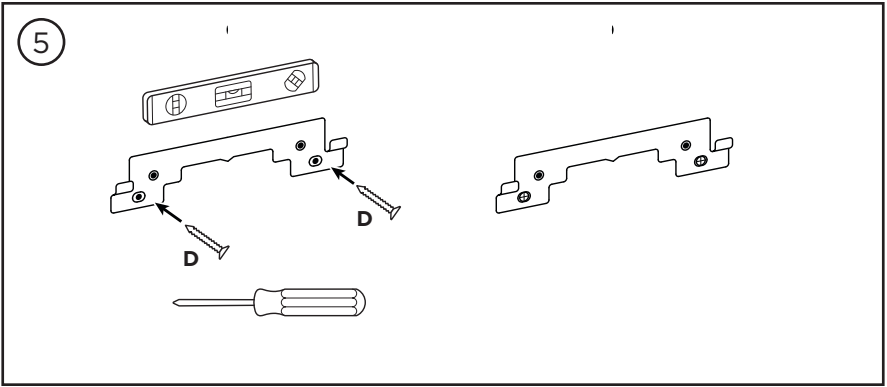


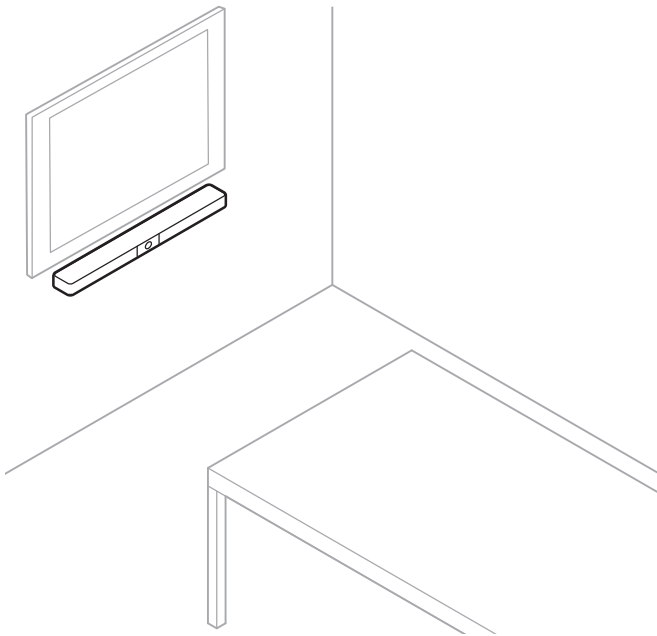
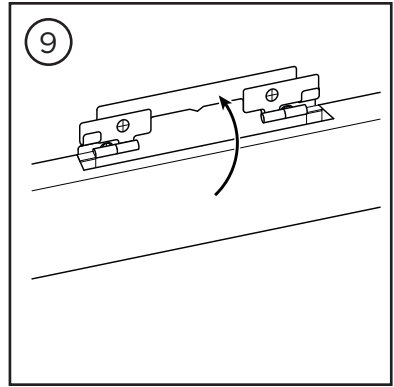
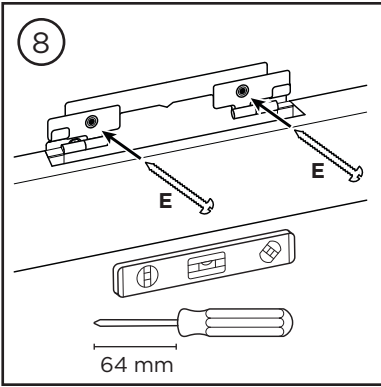
Houten raamwerk



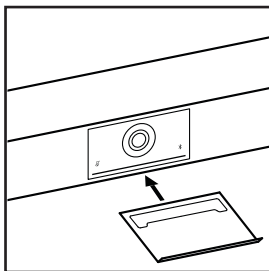
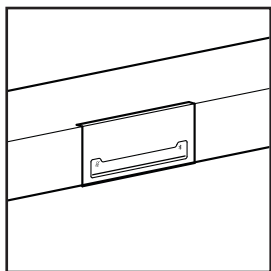
Metalen raamwerk







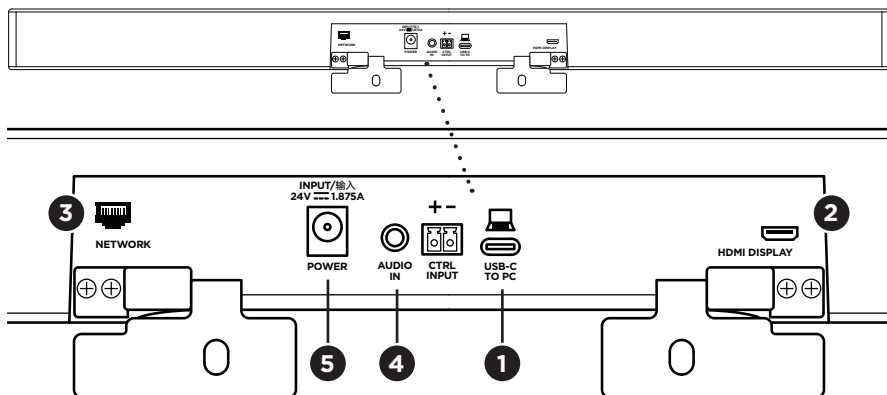
Privacycover voor de camera



Met de meegeleverde privacycover voor de camera kunt u het zichtveld volledig bedekken zonder de indicatoren en de lichtbalk te verbergen.

De cover is magnetisch en blijft op zijn plaats wanneer deze op de VB1-lens wordt gemonteerd zoals weergegeven. Als u de cover wilt opbergen wanneer deze niet wordt gebruikt, zet u deze vast aan de onderkant onder de lens.

Kabelaansluitingen



1. Sluit de meegeleverde USB-C®-kabel aan op de **USB-C**-poort.

Laat het andere uiteinde van deze kabel op de tafel liggen, zodat de host van de vergadering eenvoudig zijn computer kan verbinden of ontkoppelen.

Opmerking: Als een computer waarop een vergadering wordt gehost alleen USB-A-poorten heeft, sluit u de meegeleverde USB-C-naar-A-adapter aan op het uiteinde van de USB-C-kabel die met de computer wordt verbonden.

2. **Optioneel:** Gebruik de meegeleverde HDMI-kabel om de poort **HDMI Display** aan te sluiten op een HDMI-poort van een scherm of monitor.

Opmerking: Voor HDMI-uitvoer moet op de hostcomputer de nieuwste DisplayLink®-driver zijn geïnstalleerd en moet op de VB1 de instelling DisplayLink zijn ingeschakeld (is standaard uitgeschakeld). Ga naar displaylink.com/downloads om de nieuwste driver te downloaden. Schakel de instelling DisplayLink in of uit met de app of webinterface van Videobar Configuration of de Videobar Administration app (zie **Softwareapplicaties (Pagina 23)**).

3. **Optioneel:** Als u de VB1 in een netwerk gaat gebruiken, gebruik dan een Cat 5-kabel (niet meegeleverd) om de poort **Network** aan te sluiten op een LAN-poort, een netwerkswitch enz.
4. **Optioneel:** Voor extra audio van een analoge audio-uitgang op een scherm sluit u een 3,5mm-stereokabel (niet meegeleverd) aan op de aansluiting **Audio In**.

De penconfiguratie is als volgt:

1. Punt = ingang linkeraudio
2. Ring = ingang rechteraudio
3. Bus/ring 2 = massa



5. Sluit de meegeleverde voeding aan op de aansluiting **Power**.

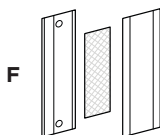
6. Gebruik de meegeleverde voedingskabel om de voeding aan te sluiten op een stopcontact. De VB1 wordt automatisch ingeschakeld wanneer deze is aangesloten op een voedingsbron.

Er zijn verschillende softwareapps waarmee u de Videobar VB1 kunt configureren voor optimale prestaties. Zie **Softwareapplicaties (Pagina 23)** voor meer informatie.

Als u een USB-extender nodig hebt, gaat u naar boseprofessional.com/VB1 voor een lijst met aanbevolen USB-extendors van derden die met de VB1 kunnen worden gebruikt.

Kabelbeheer

Met de meegeleverde kabelbeheerkap kunt u alle permanente kabels tegen een wand houden.



G  Kleine gipsplaatplug (2)

H  Kleine platkopschroef (2)

De kabelbeheerkap installeren:

1. Plaats de achterkant van de kabelkap (**F**) (het stuk met de schroefgaten) tegen de gewenste locatie op de wand.
2. Markeer het midden van de twee schroefgaten op de wand en verwijder de achterkant van de kabelkap.
3. Als er achter dat deel van de wand een raamwerk zit, boort u twee gaten van **2,4 mm** in de wand.
Als er achter dat deel van de wand geen raamwerk zit, boort u twee gaten van **5 mm** in de wand.
4. Als dat gedeelte van de wand geen raamwerk heeft, duwt u de twee kleine gipsplaatpluggen (**G**) in de wand.
5. Lijn de achterkant van de kabelkap (**F**) uit met de schroefgaten.
6. Plaats de twee kleine platkopschroeven (**H**) in de achterkant van de kabelkap om deze aan de wand te bevestigen.
7. Breng de kabels samen en plaats deze langs de geleider aan de achterkant van de kabelkap (tegen de wand).
8. Verwijder de plakstrip van het schuim van de kabelkap (**F**).
9. Plaats de schuimstrip stevig op de achterkant van de kabelkap, naast de samengebrachte kabels.
10. Plaats de voorkant van de kabelkap (**F**) over de samengebrachte kabels en het schuim, zodat deze goed vast komt te zitten.



J  Kleine gipsplaatplug

K  Kleine platkopschroef

Het netsnoer aan de wand bevestigen:

1. Bepaal waar op de wand u het netsnoer wilt bevestigen.
2. Markeer een schroefgat op de wand.
3. Als er achter dat deel van de wand een raamwerk zit, boort u twee gaten van **2,4 mm** in de wand.
Als er achter dat deel van de wand geen raamwerk zit, boort u twee gaten van **5 mm** in de wand.
4. Als dat gedeelte van de wand geen raamwerk heeft, duwt u de twee kleine gipsplaatpluggen (**J**) in de wand.
5. Lijn het oog van de kabelbinder (**F**) uit met het schroefgat.
6. Plaats de kleine platkopschroef (**H**) in het oog van de kabelbinder om deze aan de wand te bevestigen.

SOFTWAREAPPLICATIES

U kunt de Videobar VB1 configureren met drie softwareapplicaties:

Gebruik de Videobar Configuration-software, die beschikbaar is voor Windows en macOS, of de webbrowser om het apparaat te installeren en configureren.

Functies:

Camera bedienen: pannen, kantelen, zoomen, presets en autoframing

Beheer en configuratie met wachtwoordbeveiliging

Firmware-updates installeren, configuratieprofielen maken en toepassen, HDMI-uitvoer (DisplayLink) in- of uitschakelen, netwerk aanpassen, *Bluetooth* en geavanceerde camera-instellingen, en meer

U krijgt een melding als er een software-update beschikbaar is voor een Videobar-apparaat

Beschikbaar voor Windows en macOS of via een webbrowser, en biedt alle functionaliteit van de desktopsoftware via een netwerkverbinding

Gebruik de Videobar Administration-software om op afstand één apparaat of apparaten in het hele bedrijf te beheren, meerdere apparaten te wijzigen en de apparaatstatus in realtime weer te geven.

Functies:

De apparaatstatus bekijken en essentiële functies van al uw Bose Professional Videobar-apparaten bedienen vanaf één locatie

Firmware-updates plannen voor alle of alleen geselecteerde apparaten

Parameters weergeven, bewerken en opslaan per apparaat of groep apparaten

Alle apparaten in het netwerk detecteren; apparaatprofielen maken, opslaan en toepassen

Beschikbaar voor Windows

Met de Videobar Mobile mobiele app kan iedereen in de ruimte de Videobar VB1-instellingen bedienen met een smartphone: volume aanpassen, geluid dempen, pannen, kantelen, zoomen en zoompresets en *Bluetooth*-koppeling regelen.

Functies:

Realtime bediening van volume, dempen, pannen, kantelen, zoomen, presets voor zoomen en *Bluetooth*-koppeling vanaf uw mobiele apparaat

Maakt gebruik van *Bluetooth*-koppeling om de Videobar VB1 te detecteren en ermee te communiceren

Beschikbaar voor iOS en Android

App en webinterface van Videobar Configuration

Ga als volgt te werk om de Videobar Configuration-app naar uw computer te downloaden en te installeren:

1. Ga op uw computer naar **boseprofessional.com/VB1**.
2. Download en installeer de **Videobar Configuration** app.

De Videobar Configuration app openen en gebruiken om de VB1 te configureren:

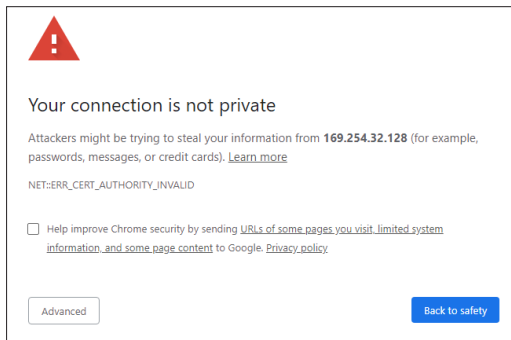
1. Sluit uw computer aan op de poort **USB-C** van de VB1.
2. Open de **Videobar Configuration** app.
3. U krijgt toegang tot de VB1-configuratie-instellingen voor beheerders door in het navigatiepaneel op het pictogram **Administrator** te klikken en het standaardwachtwoord in te voeren: **Bose123!**

Opmerking: We raden u aan het wachtwoord te wijzigen nadat u toegang hebt verkregen.

Toegang krijgen tot en gebruikmaken van de Videobar Configuration webinterface om de VB1 te configureren via een netwerkverbinding:

1. Verbind uw computer en de VB1 met hetzelfde netwerk.
2. Voer op uw computer het IP-adres van de VB1 in de adresbalk van een webbrowser in en druk op **Enter**. (U kunt het IP-adres van de VB1 bepalen met behulp van de Videobar Configuration app via USB of met de Videobar Administration app, die automatisch VB1's op het netwerk detecteert.) De webinterface van Videobar Configuration wordt geopend.

Opmerking: In sommige browsers ziet u mogelijk een beveiligingswaarschuwing zoals deze:



Dit is normaal en geen beveiligingsrisico. Klik op **Geavanceerd**. (Als u niet zeker weet of u een bewerking moet uitvoeren op uw computer, in een webbrowser enz., neemt u eerst contact op met uw IT-/systeembeheerder.)

U ontvangt dan mogelijk een vervolgbericht:

This server could not prove that it is **169.254.32.128**; its security certificate is not trusted by your computer's operating system. This may be caused by a misconfiguration or an attacker intercepting your connection.

[Proceed to 169.254.32.128 \(unsafe\)](#)

Dit is ook normaal. Klik op de link **Doorgaan naar...** om door te gaan naar de aanmeldpagina van de Videobar Configuration webinterface.

Het standaardwachtwoord voor de beheerder is: **Bose123!**

Opmerking: We raden u aan het wachtwoord te wijzigen nadat u toegang hebt verkregen.

Zie de pagina **Settings** in de app of webinterface om het Help-bestand voor de app of webinterface van Videobar Configuration te openen.

Videobar Administration app

De software van Videobar Administration downloaden:

1. Ga op uw computer naar **boseprofessional.com/VB1**.
2. Download en installeer de **Videobar Administration** app.

De Videobar Administration app openen en gebruiken om een of meer VB1's te configureren via een netwerkverbinding:

1. Verbind uw computer en elke VB1 met hetzelfde netwerk.
2. Open de **Videobar Administration** app.

Zie de pagina **Over Videobar Administration** in de app om het Help-bestand voor de Videobar Administration app te openen.

Videobar Mobile app

De Videobar Mobile app biedt de functies van de infraroodafstandsbediening op uw mobiele apparaat. De Videobar Mobile app downloaden:

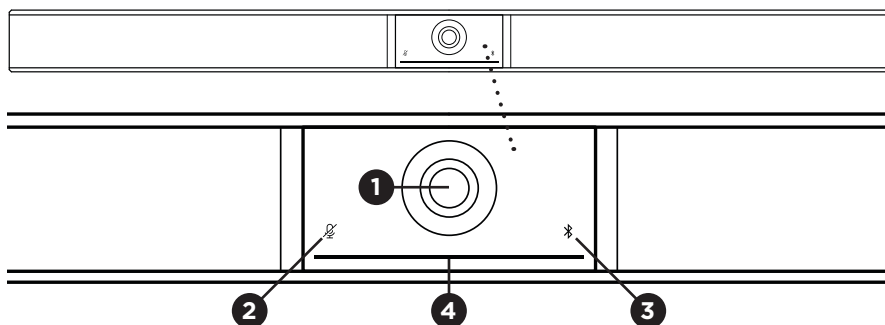
1. Zoek en download de **Videobar Mobile** app in de App StoreSM of in Google PlayTM.
2. Open de app op uw mobiele apparaat en schakel locatiebepaling in.
3. Maak op uw mobiele apparaat verbinding met de **Videobar VB1**.

Zie de pagina **Settings** in de app om het Help-bestand voor de Videobar Mobile app te openen.

PRODUCTGEGEVENS

Panelen

Voorpaneel



1. **Camera**
2. **Dempingslampje:** Dit lampje brandt rood wanneer de microfoons zijn uitgeschakeld.
3. **Bluetooth-lampje:** Met dit lampje wordt de huidige status van de *Bluetooth*-verbinding van de VB1 aangegeven:

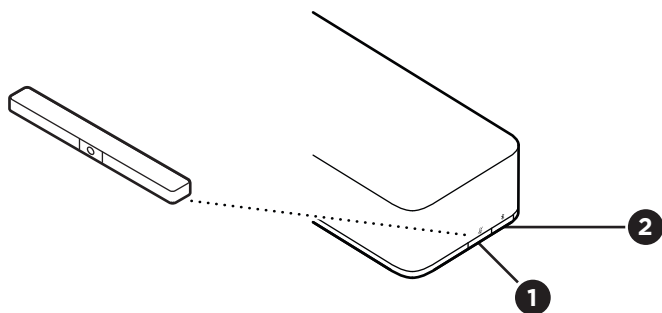
Knippert langzaam blauw: De VB1 is beschikbaar om te koppelen aan een mobiel *Bluetooth*-apparaat.

Continu wit: De VB1 is verbonden met de Videobar Mobile app of met een mobiel apparaat voor oproepen en media.

Uit: Geen *Bluetooth*-connectiviteit.

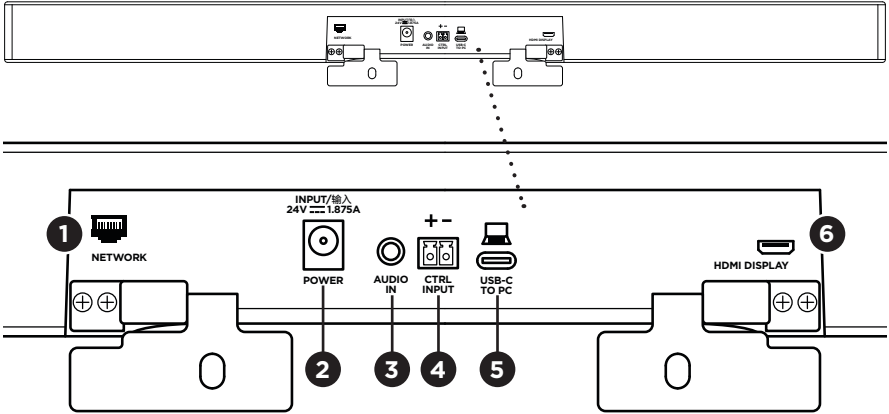
4. **Lichtbalk:** Zie **Lichtbalk (Pagina 31)** voor meer informatie hierover.

Zijpaneel



1. **Knop Mute:** Druk op deze knop om de microfoons van de VB1 te dempen of het dempen op te heffen.
2. **Knop Bluetooth:** Houd deze knop ingedrukt om de koppelmodus te activeren.

Achterpaneel



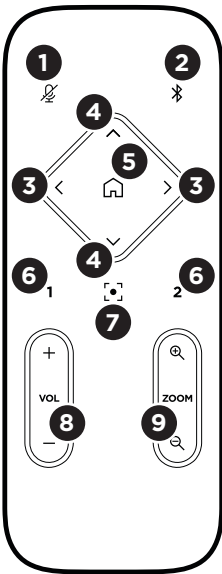
- 1. Network:** Gebruik deze 1 Gbps RJ45-verbinding voor configuratie en/of bewaking. (Deze poort bevindt zich aan de binnenkant van het achterpaneel.)
- 2. Power:** Sluit hierop de meegeleverde voeding aan.
- 3. Audio In:** Gebruik een 3,5mm-stereokabel (niet meegeleverd) om een optionele audiobron aan te sluiten, zoals de audio-uitgang van een aangesloten monitor of scherm.
- 4. Ctrl Input:** Gebruik de poort voor het opheffen van de dempfunctie met de meegeleverde 2-pins Euroblock-connector. Deze ingang werkt standaard op de lage spanning en heeft een interne schakelaar voor het hoge spanningsniveau.
- 5. USB-C:** Verbind deze poort met de computer waarop de vergadering wordt gehost.
- 6. HDMI Display:** Gebruik de meegeleverde HDMI-kabel om deze poort op een scherm aan te sluiten. (Deze poort bevindt zich aan de binnenkant van het achterpaneel.)

Opmerking: Voor HDMI-uitvoer moet op de hostcomputer de nieuwste DisplayLink®-driver zijn geïnstalleerd en moet op de VBI de instelling DisplayLink zijn ingeschakeld (is standaard uitgeschakeld). Ga naar displaylink.com/downloads om de nieuwste driver te downloaden. Schakel de instelling DisplayLink in of uit met de app of webinterface van Videobar Configuration of de Videobar Administration app (zie **Softwareapplicaties (Pagina 23)**).

Afstandsbediening

De Videobar VB1 heeft een infraroodafstandsbediening waarmee u camera- en volume-instellingen kunt aanpassen, de microfoons kunt dempen en de VB1 in de *Bluetooth*-koppelingsmodus kunt zetten.

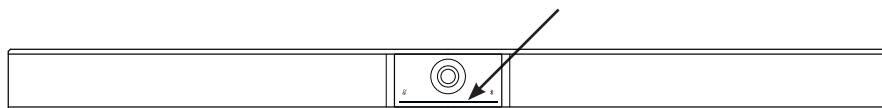
Opmerking: Alle functies van de afstandsbediening zijn ook beschikbaar in de softwareapps waarmee u de Videobar VB1 kunt configureren. Zie **Softwareapplicaties (Pagina 23)** voor meer informatie.










1. **Dempen:** de VB1-microfoons dempen of het dempen opheffen.
2. **Bluetooth:** Houd deze knop 3 seconden ingedrukt om de koppelingsmodus te activeren. Als er al een apparaat is gekoppeld, houdt u deze knop ingedrukt om de verbinding te verbreken.
3. **Camera pannen:** Druk hierop op om de camera naar links en rechts te pannen (< of >) of houd de knop ingedrukt voor continu aanpassen.
4. **Camera kantelen:** Druk hierop op om de camera omhoog en omlaag te kantelen (▲ of ▼) of houd de knop ingedrukt voor continu aanpassen.
5. **Startpositie van preset:** De camera-instellingen voor pannen, kantelen en zoomen (PTZ) terugzetten op de startpositie. De startpositie kan worden gewijzigd in de Videobar Configuration app.
6. **Presets 1 en 2:** Druk hierop om preset 1 of 2 voor de camera te selecteren. Houd deze knop ingedrukt om de huidige camera-instellingen voor pannen, kantelen en zoomen (PTZ) op te slaan als preset 1 of 2.
7. **Autoframe:** Autoframing in-/uitschakelen. Als deze functie is ingeschakeld, worden de camera-instellingen voor pannen, kantelen en zoomen (PTZ) automatisch aangepast zodat alle deelnemers altijd in het zichtveld zijn.
8. **Volume:** Volume verhogen of verlagen (+ of -).
9. **Camera zoomen:** Hiermee verhoogt of verlaagt u de zoomverhouding van de camera (+ of -).





Lichtbalk

De lichtbalk zit onder de camera van de VB1.



Weergave	Activiteit	Systeemstatus
	Een klein gedeelte van de lampjes in het midden van de lichtbalk brandt continu wit.	Ingeschakeld en actief.
	Alle lampjes branden continu wit.	Vergadering is actief. Camera is uitgeschakeld.
	Het middelste lampje brandt continu groen en de omringende lampjes branden continu wit.	Vergadering is actief. Camera is ingeschakeld met autoframing uitgeschakeld.
	Een klein gedeelte van de lampjes in het midden van de lichtbalk brandt continu groen, terwijl de omringende lampjes continu wit branden.	Vergadering is actief. Camera is ingeschakeld met autoframing ingeschakeld.
	Een klein gedeelte van de lampjes in het midden van de lichtbalk brandt continu groen, terwijl de omringende lampjes zijn uitgeschakeld.	Camera is ingeschakeld. Geen actieve vergadering.
	Het meest linkse lampje op de lichtbalk knippert één keer (wit/aan als er geen actieve oproep is; uit als er een actieve oproep is).	Het volume is met één stap verlaagd.

Weergave	Activiteit	Systeemstatus
	Het meest rechtse lampje op de lichtbalk knippert één keer (wit/aan als er geen actieve oproep is; uit als er een actieve oproep is).	Het volume is met één stap verhoogd.
	Een smalle strook lampjes uiterst links op de lichtbalk knippert één keer (wit/aan als er geen actieve oproep is; uit als er een actieve oproep is).	Het volume is ingesteld op het laagste niveau.
	Een smalle strook lampjes uiterst rechts op de lichtbalk knippert één keer (wit/aan als er geen actieve oproep is; uit als er een actieve oproep is).	Het volume is ingesteld op het hoogste niveau.
	Een klein gedeelte van de lampjes in het midden van de lichtbalk knippert snel wit.	De VB1 zoekt naar een wifi-netwerk.
	Een klein gedeelte van de lampjes in het midden van de lichtbalk knippert één keer wit en dooft vervolgens langzaam.	De VB1 heeft verbinding gemaakt met een wifi-netwerk. Dit betekent ook dat de VB1 een nieuwe audiobron heeft gedetecteerd die is aangesloten op de host-USB-poort of de audio-ingang.
	Een klein gedeelte van de lampjes in het midden van de lichtbalk brandt continu rood.	De VB1 werkt niet goed vanwege een firmware-/softwareprobleem. Neem contact op met de technische ondersteuning van Bose Professional.
	Een klein gedeelte van de lampjes in het midden van de lichtbalk knippert oranje.	De VB1 werkt niet goed vanwege een verbingsprobleem. Controleer of uw computer op een netwerk is aangesloten.

Weergave	Activiteit	Systeemstatus
	<p>Witte lampjes bewegen herhaaldelijk tussen het rechter- en linkeruiteinde.</p>	<p>De VB1 is bezig met het downloaden en installeren van een firmware-update. Koppel de VB1 niet los van het stopcontact of netwerk. Wanneer de update is voltooid, stopt de lichtbalk met het lichtpatroon en laat de VB1 een geluidssignaal horen.</p>
	<p>Een klein gedeelte van de lampjes in het midden van de lichtbalk knippert herhaaldelijk wit. De lampjes gaan vervolgens van het midden naar buiten toe branden tot de hele lichtbalk continu wit brandt. De lampjes gaan in hetzelfde patroon uit.</p>	<p>De VB1 wordt opnieuw opgestart nadat de fabrieksinstellingen zijn hersteld.</p>
	<p>Een klein gedeelte van de lampjes in het midden van de lichtbalk knippert herhaaldelijk wit.</p>	<p>De VB1 wordt opnieuw opgestart na een stroomstoring.</p>
	<p>Een klein gedeelte van de lampjes in het midden van de lichtbalk knippert herhaaldelijk paars.</p>	<p>De Videobar Administration app verzendt een bericht naar de VB1 om het apparaat te identificeren.</p>

GEBRUIK

Een vergadering starten

Opmerking: Voor HDMI-uitvoer moet op de hostcomputer de nieuwste DisplayLink®-driver zijn geïnstalleerd en moet op de VB1 de instelling DisplayLink zijn ingeschakeld (is standaard uitgeschakeld). Ga naar displaylink.com/downloads om de nieuwste driver te downloaden. Schakel de instelling DisplayLink in of uit met de app of webinterface van Videobar Configuration of de Videobar Administration app (zie **Softwareapplicaties (Pagina 23)**).

Een vergadering starten met de VB1:

1. Sluit de meegeleverde USB-kabel aan op de VB1 en uw computer. Gebruik de meegeleverde USB-C-naar-A-adapter, indien nodig.
2. Start de vergadering in de vergadersoftware van uw voorkeur.
3. Selecteer in de apparaatinstellingen van uw vergadersoftware **Videobar VB1** als het apparaat voor de microfoon, speakers en camera.

Een oproep plaatsen met de VB1 als speakerphone:

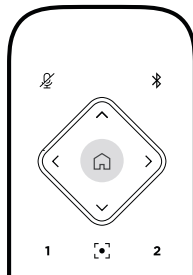
1. Druk op de knop **Bluetooth** aan de zijkant van de VB1 (of houd de knop *Bluetooth* op de afstandsbediening 3 seconden ingedrukt) om de VB1 in de koppelmodus te zetten.
2. Scan op uw mobiele apparaat naar beschikbare *Bluetooth*-apparaten en selecteer de VB1.
3. Plaats een oproep vanaf uw mobiele apparaat. Het geluid wordt automatisch van uw mobiele apparaat naar de VB1-speakers en -microfoons geleid.

De camera aanpassen

Opmerking: Alle functies van de afstandsbediening zijn ook beschikbaar in de softwareapps waarmee u de Videobar VB1 kunt configureren. Zie **Softwareapplicaties (Pagina 23)** voor meer informatie.

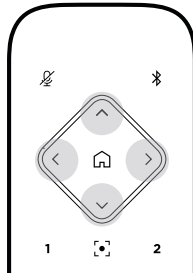
Tip: Voor snelle en eenvoudige aanpassingen aan de camera-instellingen raden we u aan de Videobar Mobile app op uw mobiele apparaat te gebruiken. Zie **Videobar Mobile app (Pagina 26)**.

De camera resetten



Druk op de knop **Home** op de afstandsbediening om de camera terug te zetten naar de standaardinstellingen voor pannen, kantelen en zoomen.

De pan- en kantelhoek aanpassen



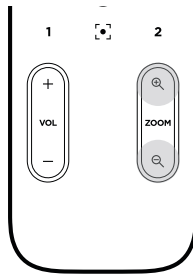
Opmerking: U kunt de pan- en kantelhoek alleen aanpassen als de camera niet volledig is uitgezoomd.

Als u de panhoek (links-rechts) van de camera wilt aanpassen, drukt u op de afstandsbediening op een van de knoppen voor het pannen van de camera (< of >).

Als u de kantelhoek (omhoog-omlaag) van de camera wilt aanpassen, drukt u op de afstandsbediening op een van de knoppen voor het kantelen van de camera (▲ of ▼).

Druk eenmaal op een knop om de camera stapsgewijs aan te passen of houd de knop ingedrukt voor continue aanpassing.

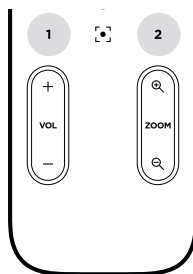
De zoomverhouding aanpassen



Als u de zoomverhouding van de camera wilt aanpassen, drukt u op de afstandsbediening op een van de **Zoomknoppen (+ of -)**.

Druk eenmaal op een knop om de camera stapsgewijs aan te passen of houd de knop ingedrukt voor continue aanpassing.

Een preset opslaan en openen



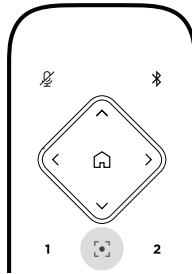
U kunt de instellingen voor pannen, kantelen en zoomen van de camera opslaan als preset: preset 1 of preset 2. Wanneer u een opgeslagen preset opent, keert de camera onmiddellijk terug naar de opgeslagen instellingen voor pannen, kantelen en zoomen.

Een preset opslaan:

1. Pas de instellingen voor pannen, kantelen en zoomen naar wens aan.
2. Houd de knop van de gewenste preset op de afstandsbediening (**Preset 1** of **Preset 2**) 3 seconden ingedrukt. De camera-instellingen worden opgeslagen onder deze preset.

Als u een opgeslagen preset wilt openen, drukt u op de gewenste presetknop op de afstandsbediening (**Preset 1** of **Preset 2**). De camera-instellingen voor pannen, kantelen en zoomen worden onmiddellijk gewijzigd in de instellingen die zijn opgeslagen onder die preset.

Autoframing in-/uitschakelen



Als u autoframing van de camera wilt in- of uitschakelen, drukt u op de afstandsbediening op de knop **Autoframe**.

Als deze optie is ingeschakeld, past de camera de instellingen voor pannen, kantelen en zoomen automatisch en continu aan, zodat alle deelnemers in de ruimte in het zichtveld zijn.

Opmerking: Als u de instellingen voor pannen, kantelen of zoomen aanpast of **Home**, **Preset 1** of **Preset 2** selecteert, wordt autoframing automatisch uitgeschakeld.

Als deze optie is uitgeschakeld, past u de camera-instellingen voor pannen, kantelen en zoomen (PTZ) handmatig aan.

Audioniveaus beheren

De Videobar VB1 heeft vier audio-ingangen: voor de microfoons, USB-audio en *Bluetooth*-audio, en de analoge ingang (**Audio In**).

De VB1 heeft ook drie audio-uitgangen: voor de speakers, USB-audio en *Bluetooth*-audio.

De realtime niveaus van al deze signalen, met uitzondering van de **Audio In**-aansluiting, zijn zichtbaar op het tabblad **Meters** van de app/webinterface van Videobar Configuration.

Lokale audio afspelen

Muziek of audio via de USB-, *Bluetooth*- of analoge ingangen wordt afgespeeld op de VB1-speakers. Dit geluid wordt tijdens vergaderingen niet naar de andere kant verzonden.

Audio van vergadering

Na activering van de functie Acoustic Echo Cancellation (AEC) wordt de audio van de VB1-microfoon naar het andere uiteinde verzonden (via de USB-uitgang).

Als lokale audio wordt verzonden via de USB-ingang, wordt deze afgespeeld via de VB1-speakers, maar de AEC-functie onderdrukt de muziek op de VB1-microfoon voordat deze naar het andere uiteinde wordt verzonden.

Als u lokale audio naar het andere uiteinde wilt verzenden, deelt u de app voor het afspelen van audio in uw vergadersoftware.

Audioniveaus aanpassen

De VB1 heeft twee volumeregelaars: voor de VB1-speakers en voor versterking van de analoge ingang (**Audio In**).

U kunt het volume van de VB1-speakers aanpassen door de knoppen **Volume +** en **-** op de afstandsbediening te gebruiken, door het volume op de hostcomputer aan te passen of door het volume van de *Bluetooth*-audio aan te passen. Deze drie volumeniveaus zijn altijd gesynchroniseerd, dus als u een van deze niveaus aanpast, worden ook de andere niveaus aangepast.

Opmerking: Alle functies van de afstandsbediening zijn ook beschikbaar in de softwareapps waarmee u de Videobar VB1 kunt configureren. Zie **Softwareapplicaties (Pagina 23)** voor meer informatie.

Pas indien nodig de **Analog Input Gain** aan om het signaal dat naar de **Audio In**-aansluiting wordt verzonden zo af te stellen dat het overeenkomt met de nominale niveaus van de hostcomputer en *Bluetooth*-audio. U kunt dit doen in de app of webinterface van Videobar Configuration of in de Videobar Administration app (zie **Softwareapplicaties (Pagina 23)**).

Bluetooth-apparaten beheren

De VB1 kan met één *Bluetooth*-apparaat tegelijkertijd worden gekoppeld. De VB1 kan bijvoorbeeld niet worden gekoppeld met een apparaat via de Videobar Mobile app en een ander apparaat voor gesprekken of het afspelen van audio.

Een *Bluetooth*-apparaat koppelen met de VB1

De Videobar Mobile app koppelt uw *Bluetooth*-apparaat met de VB1 via *Bluetooth* Low Energy (BLE). De app detecteert automatisch VB1's in de buurt.

Als u een *Bluetooth*-apparaat met de VB1 wilt koppelen via de Videobar Mobile app, opent u de app en selecteert u de gewenste VB1. Het *Bluetooth*-lampje op het voorpaneel van de VB1 brandt continu wit wanneer er een verbinding tot stand is gebracht. (Zie **Videobar Mobile app (Pagina 26)** voor meer informatie.)

Een *Bluetooth*-apparaat koppelen voor gesprekken of het afspelen van audio:

1. Druk op de **Bluetooth**-knop aan de zijkant van de VB1 (of houd de knop *Bluetooth* op de afstandsbediening 3 seconden ingedrukt) om de VB1 in de koppelmodus te zetten. Het *Bluetooth*-lampje op het voorpaneel van de VB1 knippert blauw.
2. Scan op uw *Bluetooth*-apparaat naar andere beschikbare *Bluetooth*-apparaten en selecteer de VB1. Het *Bluetooth*-lampje op het voorpaneel van de VB1 brandt continu wit wanneer er een verbinding tot stand is gebracht.

Een *Bluetooth*-apparaat ontkoppelen van de VB1

De VB1 maakt niet automatisch opnieuw verbinding met een eerder gekoppeld *Bluetooth*-apparaat. Zodra de *Bluetooth*-verbinding is verbroken (vanwege afstand, opzettelijke verbreking, koppeling van een ander apparaat enz.), moet u de stappen volgen voor opnieuw koppelen.

Voer een van de volgende handelingen uit om de verbinding tussen een *Bluetooth*-apparaat en de VB1 te verbreken:

Schakel de *Bluetooth*-verbinding op uw mobiele apparaat uit.

Druk op de **Bluetooth**-knop aan de zijkant van de VB1.

Houd op de afstandsbediening de knop **Bluetooth** gedurende 3 seconden ingedrukt.

Energiezuinige modi

In sommige landen is het volgens de energievoorschriften vereist dat producten zoals de VB1 in een energiezuinige modus worden gezet wanneer ze niet worden gebruikt om zo energie te besparen. U kunt deze functie in de VB1 uitschakelen (of weer inschakelen) met de app of webinterface van Videobar Configuration of de Videobar Administration app (zie **Softwareapplicaties (Pagina 23)**).

De energiezuinige modus van de VB1 bestaat in feite uit twee fasen: een **stand-bymodus** en een **energiezuinige stand-bymodus**.

Als de energiezuinige modus is ingeschakeld, schakelt de VB1 na 18 minuten inactiviteit naar de stand-bymodus. Als het apparaat nog 2 uur niet wordt gebruikt, wordt de energiezuinige stand-bymodus ingeschakeld. In beide modi is de lichtbalk aan de voorzijde van de VB1 uitgeschakeld.

Als de energiezuinige modus is uitgeschakeld, zijn deze modi ook allebei uitgeschakeld.

Bepaalde acties of opdrachten kunnen verhinderen dat de VB1 in de stand-bymodus gaat of uit de (energiezuinige) stand-bymodus ontwaakt (en weer normaal werkt).

Actie of opdracht	Voorkomt dat de VB1 in de stand-bymodus gaat.	Haalt de VB1 uit de stand-bymodus.	Haalt de VB1 uit de energiezuinige stand-bymodus.
Knop	Mute of Bluetooth aan de zijkant van de VB1	✓	✓
	Een willekeurige knop op de afstandsbediening	✓	✓
USB	Apparaat aansluiten op de USB-C -poort		✓
	Communicatie via de app of webinterface van Videobar Configuration	✓	
	Audio afspelen	✓	✓
Bluetooth	Actieve verbinding	✓	✓
	Audio afspelen	✓	✓
Wi-Fi of ethernet	Communicatie via de app of webinterface van Videobar Configuration	✓	✓
	Communicatie via de Videobar Configuration-app	✓	✓
HDMI Display	Computer aangesloten op de HDMI Display -poort met DisplayLink ingeschakeld	✓	✓
Audio In	Audio afspelen	✓	✓

REINIGING EN ONDERHOUD

De VB1 schoonmaken

Het kan nodig zijn de speaker regelmatig schoon te maken.

Neem de buitenkant af met een zachte, droge doek.

Zorg ervoor dat er GEEN vocht in de grille of de kabel-/draadverbindingen komt.

Vervangende onderdelen en accessoires

Reserveonderdelen en accessoires kunt u bestellen via de Bose Professional-klantenservice. Ga naar: **boseprofessional.com**.

Beperkte garantie

De Videobar VB1 heeft een beperkte garantie. Bezoek onze website op **boseprofessional.com/warranty** voor meer informatie over de beperkte garantie.

Locaties van serienummers

Het serienummer en modelnummer vindt u op het achterpaneel van het product.

U vindt het serienummer ook in de app of webinterface van Videobar Configuration of in de Videobar Administration app (zie **Softwareapplicaties (Pagina 23)**).

De fabrieksinstellingen herstellen

Als u de fabrieksinstellingen herstelt, gebeurt het volgende:

De lijst met *Bluetooth*-apparaten die aan de VB1 zijn gekoppeld, wordt gewist.

De presets van de camera (Preset 1 en Preset 2) worden gewist.

Alle camera-, microfoon- en speakerinstellingen worden teruggezet op de standaardwaarden. (Veel van deze instellingen zijn geconfigureerd in de Videobar Configuration- of Videobar Administration-software.)

Het beheerderswachtwoord wordt opnieuw ingesteld op **Bose123!**

Opmerking: We raden u aan het wachtwoord te wijzigen nadat u dit hebt gereset.

Voer een van de volgende handelingen uit om alle fabrieksinstellingen van de VB1 te herstellen:

Houd op de afstandsbediening de knoppen **Home** en **Autoframe** tegelijkertijd 5 seconden ingedrukt.

Houd aan de zijkant van de VB1 de knoppen **Mute** en **Bluetooth** tegelijkertijd 5 seconden ingedrukt.

Een kleine strook lampjes in het midden van de lichtbalk knippert herhaaldelijk wit. De lampjes gaan vervolgens van het midden naar buiten toe branden tot de hele lichtbalk continu wit brandt. De lampjes gaan in hetzelfde patroon uit. Wanneer dit proces is voltooid, wordt de VB1 opnieuw opgestart met de fabrieksinstellingen.

Wachtwoord vergeten

Als u het wachtwoord voor toegang tot de configuratie-instellingen voor de beheerder bent vergeten, moet u de fabrieksinstellingen herstellen om het wachtwoord opnieuw in te stellen (zie **De fabrieksinstellingen herstellen (Pagina 42)**).

Opmerking: We raden u aan het wachtwoord te wijzigen nadat u dit hebt gereset.

De software bijwerken

U kunt de Videobar Configuration app en Videobar Administration app gebruiken om te controleren op VB1-firmware-updates en deze te installeren. Zie **Softwareapplicaties (Pagina 23)** voor meer informatie over het downloaden en openen van deze softwareapps.

Als u de VB1 configureert met de **Videobar Configuration** webinterface, kunt u mogelijk niet automatisch de firmware controleren of bijwerken vanaf de online server, tenzij uw computer ook is verbonden met internet.

Als u tijdens het gebruik van de webinterface geen toegang hebt tot firmware-updates, voert u een van de volgende handelingen uit:

Gebruik de **Videobar Configuration** app.

Gebruik de **Videobar Administration** app.

Download het firmwarebestand rechtstreeks naar uw computer en gebruik vervolgens de **Videobar Configuration** webinterface om de firmware bij te werken alsof deze een eerdere versie was.

PROBLEMEN OPLOSSEN

Probeer eerst deze oplossingen.

Als u problemen ondervindt met de VB1, probeer dan eerst de volgende oplossingen:

Controleer of uw computer is aangesloten op voeding.

Controleer of alle kabels die op het achterpaneel zijn aangesloten goed vastzitten. Zie **Kabelaansluitingen (Pagina 20)**.

Controleer de statuslampjes. Zie **Voorpaneel (Pagina 27)**.

Controleer of uw mobiele apparaat *Bluetooth* ondersteunt.

Controleer op beschikbare VB1-software-updates. Zie **De software bijwerken (Pagina 42)**.

Houd uw *Bluetooth*-apparaat dichterbij de VB1 en buiten het bereik van interferentie of obstakels.

Pas het volume aan op de VB1, de computer, het *Bluetooth*-apparaat of andere audiobronnen. Zie **Audioniveaus beheren (Pagina 38)**.

Als het probleem nog niet is verholpen, zie dan de onderstaande tabel voor symptomen van en oplossingen voor veelvoorkomende problemen. Als u het probleem niet kunt oplossen, neem dan contact op met de Bose Professional-clientservice. Ga naar: **boseprofessional.com**.

Probleem	Wat te doen
Ik hoor muziek, maar mijn pc is niet aangesloten.	Controleer of het <i>Bluetooth</i> -lampje continu wit brandt. Als dit het geval is, is het <i>Bluetooth</i> -apparaat van iemand anders mogelijk al gekoppeld aan de VB1. Druk op de Bluetooth -knop aan de zijkant van de VB1 om deze te ontkoppelen.
Het geluid is te zacht of helemaal niet hoorbaar.	Mogelijk is het volume te laag ingesteld. Zet het volume hoger met: <ul style="list-style-type: none"> de afstandsbediening van de VB1 uw mobiele <i>Bluetooth</i>-apparaat (als u er een gebruikt) uw vergadersoftware (speakervolume) Als u nog steeds geen geluid hoort, zorg er dan voor dat Videobar VB1 is geselecteerd als speaker in uw vergadersoftware.
Het geluid is vervormd.	Mogelijk is het volume te hoog ingesteld. Zet het volume lager met: <ul style="list-style-type: none"> de afstandsbediening van de VB1 uw mobiele <i>Bluetooth</i>-apparaat (als u er een gebruikt) uw vergadersoftware (speakervolume)

Probleem	Wat te doen
<p>Het aanpassen van het volume op mijn computer heeft geen invloed op het volume van de VB1.</p>	<p>Op uw computer is de VB1 mogelijk niet geselecteerd als het standaardapparaat voor het afspelen van audio (zelfs als uw vergadersoftware goed werkt met de VB1).</p> <p>Windows: Klik op het speakerpictogram in het systeemvak (op de taakbalk) en selecteer Videobar VB1 als het afspeelapparaat.</p> <p>macOS: Klik op het Apple-pictogram in de linkerbovenhoek van het scherm, selecteer Systeemvoorkeuren, klik op Geluid en klik vervolgens op Uitvoer. Selecteer Videobar VB1 in de lijst met apparaten.</p>
<p>Het volumeniveau van mijn computer of mobiele apparaat is plotseling gewijzigd toen ik mijn computer of mobiele apparaat aansloot op de VB1.</p>	<p>Dit is normaal. De VB1 synchroniseert automatisch het volumeniveau van alle apparaten wanneer deze hiermee verbinding maken.</p>
<p>In mijn vergadersoftware wordt de Videobar VB1 niet vermeld als microfoon, speaker of camera.</p>	<p>Wacht ongeveer 30 seconden totdat de computer de VB1 registreert als microfoon, speaker of camera.</p> <p>Als dit nog steeds niet werkt, probeer dan de volgende oplossingen:</p> <ul style="list-style-type: none"> Controleer of de USB-kabel stevig is aangesloten op de computer. Probeer aan te sluiten op een andere USB-poort op uw computer. Controleer of de VB1 is ingeschakeld (stevig aangesloten op het stopcontact). Controleer of de USB-kabel stevig is aangesloten op de USB-C-poort op het achterpaneel van de VB1. Probeer een kortere USB-kabel.
<p>In mijn vergadersoftware wordt een bericht weergegeven dat de video niet werkt of niet kan worden gestart.</p>	<p>Dit wordt meestal veroorzaakt wanneer de Videobar Configuration app of een andere Unified Communications-client de camera al gebruikt en bestuurt. Sluit de andere app die de video gebruikt.</p>
<p>Als ik verbinding probeer te maken met de VB1 via de webinterface van Videobar Configuration, wordt in mijn browser een beveiligingswaarschuwing weergegeven.</p>	<p>Dit is normaal, aangezien de VB1 geen beveiligingscertificaat biedt op basis van een dynamisch toegewezen IP-adres.</p> <p>Zie App en webinterface van Videobar Configuration (Pagina 24) voor specifieke instructies. (Als u niet zeker weet of u een bewerking moet uitvoeren op uw computer, in een webbrows er enz., neemt u eerst contact op met uw IT-/systeembeheerder.)</p>


Probleem	Wat te doen
<p>Er wordt geen videobeeld weergegeven op het tweede scherm (via de HDMI Display-poort).</p>	<p>Probeer de volgende oplossingen:</p> <ul style="list-style-type: none"> Zorg dat het scherm is ingeschakeld. Zorg ervoor dat de ingang/bron van het scherm is ingesteld op de HDMI-poort die is aangesloten op de VB1. Controleer of de HDMI-kabel stevig is aangesloten op de VB1 en het scherm. Zorg ervoor dat op uw computer de nieuwste DisplayLink-driver is geïnstalleerd (displaylink.com/downloads). Zorg ervoor dat uw computer is ingesteld op uitbreiding naar een tweede scherm (in plaats van te spiegelen of dupliceren). Zorg ervoor dat de instelling DisplayLink is ingeschakeld in de Videobar Configuration-software.
<p>Mijn computer detecteert de VB1 als een tweede scherm, zelfs wanneer deze niet is aangesloten op de HDMI Display-poort.</p>	<p>Zorg ervoor dat uw computer is ingesteld op spiegelen of dupliceren van het scherm (in plaats van het scherm uit te breiden naar een tweede scherm).</p>
<p>Het videobeeld op het tweede scherm (van de HDMI Display-poort) is niet synchroon met het audiosignaal.</p>	<p>Verlaag de resolutie van het videoscherm in de scherminstellingen van uw computer.</p>
<p>Het videobeeld op het tweede scherm (via de HDMI Display-poort) is vervormd.</p>	<p>Gebruik een door Bose Professional geleverde kabel of gecertificeerde USB-kabel. Controleer ook of de kabel niet is beschadigd of geknikt.</p>
<p>De camera zoomt in of uit, zelfs als ik deze niet handmatig aanpas.</p>	<p>Mogelijk is de functie voor autoframing van de camera ingeschakeld. Druk op de afstandsbediening op de knop Autoframe om deze functie uit te schakelen.</p> <p>Sommige vergaderapps hebben een ingebouwde functie voor autoframing, waarmee het beeld kan worden bijgesneden of de zoomverhouding van de camera kan worden gewijzigd. Schakel indien mogelijk deze functie uit in de vergadersoftware.</p>
<p>Het <i>Bluetooth</i>-lampje knippert blauw.</p>	<p>Dit is normaal. Hiermee wordt aangegeven dat de VB1 in de <i>Bluetooth</i>-koppelmodus staat. (De <i>Bluetooth</i>-knop aan de zijkant van de VB1 of op de afstandsbediening is mogelijk per ongeluk ingedrukt.)</p>
<p>Het <i>Bluetooth</i>-lampje brandt continu wit.</p>	<p>Dit is normaal. Hiermee wordt aangegeven dat de VB1 is verbonden met een mobiel <i>Bluetooth</i>-apparaat voor muziek of gesprekken, of met de Videobar Mobile app.</p>

Probleem	Wat te doen
De lichtbalk is aan.	<p>Als de hele lichtbalk brandt, is er een actieve vergadering.</p> <p>Als slechts een klein gedeelte van de lampjes brandt, is er geen actieve vergadering. De VB1 is gewoon ingeschakeld. Zie Lichtbalk (Pagina 31) voor meer informatie.</p>
Een klein gedeelte van de lampjes in het midden van de lichtbalk brandt continu groen.	Dit is normaal. Hiermee wordt aangegeven dat de VB1-camera is ingeschakeld. (Als de andere lampjes in de lichtbalk continu wit branden, is er een actieve vergadering. Als de andere lampjes in de lichtbalk zijn uitgeschakeld, is er geen actieve vergadering.)

Les og ta vare på alle sikkerhets- og bruksinstruksjoner.

Viktige sikkerhetsinstruksjoner

For mer informasjon om din Bose Professional Videobar VB1 (inkludert tilbehør og deler), gå til boseprofessional.com/VB1 eller kontakt Bose Professional kundeservice.

1. Les disse instruksjonene.
2. Ta vare på disse instruksjonene.
3. Ta hensyn til alle advarsler.
4. Følg alle instruksjoner.
5. Ikke bruk dette apparatet i nærheten av vann.
6. Rengjør bare med en ren klut.
7. Ikke blokker ventilasjonsåpninger. Plasser i henhold til produsentens instruksjoner.
8. Ikke plasser produktet nær varmekilder som radiatorer, ventilasjonsgitter, ovner eller andre apparater (inkludert forsterkere) som produserer varme.
9. Beskytt strømledningen fra å bli tråkket på eller klemt, spesielt ved støpsler, stikkontakter og punktet hvor den går ut fra apparatet.
10. Bare bruk fester/tilbehør som er angitt av produsenten.
11.  Bruk bare apparatet med vognen, stativet, braketten eller bordet som er angitt av produsenten, eller som ble solgt med apparatet. Når en vogn blir brukt, må du være forsiktig når du flytter vogn-/apparatkombinasjonen for å unngå skade på grunn av velting.
12. Koble fra apparatet under tordenvær eller når det ikke skal brukes over lengre tid.
13. Henviss alt vedlikehold til kvalifisert personell. Vedlikehold er nødvendig når apparatet på en eller annen måte har blitt skadet, for eksempel at strømledningen eller støpselet er skadet, at væske har blitt sølt eller gjenstander har falt inn i apparatet, at apparatet har blitt utsatt for regn eller fuktighet, at apparatet ikke fungerer slik det skal, eller at det har blitt mistet i bakken.

ADVARSLER/FORHOLDSREGLER



Dette symbolet på produktet betyr at det er uisolert, farlig spenning på innsiden av produktkabinettet som kan utgjøre fare for elektrisk støt.



Dette symbolet på produktet betyr at det er viktige drifts- og vedlikeholdsinstruksjoner i denne veiledningen.



Inneholder små deler som kan utgjøre en kvelningsfare. Ikke egnet for barn under 3 år.



Dette produktet inneholder magnetisk materiale. Kontakt en lege hvis du vil finne ut om dette kan påvirke implantert medisinsk utstyr.



Må ikke brukes i høyder over 2000 meter.

Alle Bose Professional-produkter må monteres i henhold til bransjeforskrifter og lokale og nasjonale forskrifter. Det er montørens ansvar å sikre at monteringen av høyttalerne og monteringsystemet utføres i henhold til alle gjeldende forskrifter, inkludert lokale byggeforskrifter og bestemmelser. Kontakt de lokale myndighetene som har domsmyndighet før du monterer dette produktet.

Når du plasserer produktet, må du kontrollere at det ikke blokkerer ventilasjonsåpninger på skjermen. Se brukerveiledningen for skjermen, og installer den i henhold til produsentens instruksjoner.

IKKE foreta uautoriserte endringer på dette produktet.

Bruk bare alkaliske AAA-/LR03-batterier når du trenger nye batterier.

Batteriet som følger med dette produktet, kan utgjøre en fare for brann, eksplosjon eller etseskader hvis det behandles feil eller skiftes ut på feil måte eller med feil type. Batteriet må ikke lade opp, demonteres, varmes opp eller brennes.

Oppbevar batteriene utilgjengelig for barn.

Hvis batteriet lekker, må du ikke la væsken komme i kontakt med hud eller øyne. Oppsøk lege ved kontakt.

Ikke utsett produkter som inneholder batterier, for høy temperatur (for eksempel direkte sollys, i nærheten av åpen ild eller lignende).

Bruk bare følgende deler for å montere produktet:

Bare til veggmontering på følgende overflater: Veggplater ≥ 10 mm ($\frac{3}{8}$ in)

Ved montering på andre overflater enn det som er angitt ovenfor, kontakter du en profesjonell montør.

Høyttalerkabelen og signalkablen som leveres med systemet, er ikke godkjent for montering i veggen. Sjekk de lokale byggeforskriftene for riktig type ledning og kabel som kreves for montering i veggen.

Må ikke monteres på overflater som ikke er solide, eller som har skjulte faremomenter bak seg, for eksempel elektriske kabler eller rør.

IKKE bruk i kjøretøy eller båter.

På grunn av kravene til ventilasjon anbefaler Bose Professional at apparatet ikke plasseres på et trangt sted, som i et hulrom i veggen eller i et lukket skap.

Ikke plasser eller monter braketten eller produktet i nærheten av varmekilder, for eksempel ildsteder, radiatorer, varmeapparater, ovner eller andre apparater (herunder forsterkere) som produserer varme.

Hold produktet unna ild og andre varmekilder. IKKE plasser åpen flamme, som tente lys, på eller nær produktet.

IKKE utsett produktet for regn, væsker eller fuktighet for å redusere risikoen for brann eller støt.

Ikke utsett dette produktet for dråper eller sprut, og ikke plasser gjenstander som er fylt med væske, som vaser, på eller nær produktet.

Dette produktet er ikke ment for montering eller bruk i innendørs vannanlegg (inkludert, men ikke begrenset til, innendørs basseng, innendørs badeland, rom med badestamp, badstuer, damprom og innendørs skøytebaner).

Produktet må ikke monteres på steder hvor det kan oppstå kondens.

IKKE bruk en strømformner med dette produktet.

Bruk bare produktet med den medfølgende strømforsyningen.

Hvis støpselet eller koblingen på apparatet brukes til å koble fra enheten, må frakoblingsenheten være lett tilgjengelig.

Informasjon om forskrifter

Mål (H × B × D): 48 × 659 × 102 mm

Nettvekt: 5,6 lb (2,5 kg)

Strøminngang: 24 VDC ---, 1,875 A

Utstyret må monteres og brukes med en minsteavstand på 20 cm mellom senderen og kroppen.

Skjermede kabler er nødvendige for å bevare samsvar med loven

CAN ICES-3 (B)/NMB-3(B)

Informasjon om produkter som genererer elektrisk støy (FCC-samsvarsmerknad for USA)

MERK: Utstyret har blitt testet og samsvarer med grensene for en klasse B digital enhet i henhold til del 15 av FCC-reglementet. Disse grenseverdiene er beregnet på å sikre rimelig beskyttelse mot skadelig radioforstyrrelse ved installasjon i boligmiljø. Utstyret genererer, bruker og kan avgir radiofrekvensenergi. Hvis det ikke installeres og brukes i overensstemmelse med instruksene, kan utstyret forårsake skadelig forstyrrelse av radiokommunikasjon. Men det er ingen garanti at interferensen ikke vil forekomme i en spesiell montering. Hvis dette utstyret skaper skadelig interferens på radio- eller TV-mottak, som det er mulig å finne ut av ved å slå utstyret av og på, anbefales brukeren å prøve å korrigere interferensen med én eller flere av de følgende tiltakene:

Flytte mottakerantennen, eller orientere den annerledes.

Øke avstanden mellom utstyret og radio- eller TV-mottakeren.

Koble utstyret til et uttak på en krets som er forskjellig fra den som mottakeren er koblet til.

Ta kontakt med forhandleren eller en erfaren radio/TV-installatør for hjelp.

Endringer eller modifikasjoner som ikke er uttrykkelig godkjent av Bose Professional, kan frata brukeren retten til å bruke utstyret.

Dette utstyret overholder del 15 av FCC-regelverket og RSS-standard(er) med ISCED Canada-lisensunntak.

Bruk av enheten er underlagt følgende to betingelser: (1) Denne enheten kan ikke skape forstyrrende interferens, og (2) denne enheten må akseptere mottatt interferens, inkludert interferens som kan føre til uønsket drift.

Administreringsregulering for radiofrekvensenheter med lav effekt

Artikkel XII: Ifølge «Administreringsregulering for radiofrekvensenheter med lav effekt» kan ingen selskaper, virksomheter eller brukere, uten tillatelse fra NCC, endre frekvensen, øke overføringskraften eller endre de opprinnelige egenskapene og ytelsen til en godkjent radiofrekvensenhet med lav effekt.

Artikkel XIV: Radiofrekvensenhetene med lav effekt skal ikke påvirke flysikkerhet og forstyrre lovlig kommunikasjon. Hvis dette skjer, må brukeren stoppe bruken med en gang helt til ingen interferens er oppnådd. Den nevnte lovlige kommunikasjonen handler om radiokommunikasjon i henhold til Telecommunications Act.

Radioenhetene med lav effekt må være mottakelige for interferens fra lovlig kommunikasjon eller ISM-radiobølgeeffektenheter.



Bose Professional kunngjør herved at dette produktet er i samsvar med de essensielle kravene og andre relevante bestemmelser fra 2014/53/EU-direktivet og alle andre gjeldende EU-direktivkrav. Du finner den fullstendige samsvarserklæringen på: www.Bose.com/compliance.

Dette produktet overholder alle gjeldende forskrifter for elektromagnetisk kompatibilitet fra 2016, og alle andre gjeldende britiske forskrifter. Du finner den fullstendige samsvarserklæringen på: www.Bose.com/compliance.

Bose Professional erklærer herved at dette produktet innfrir de grunnleggende kravene i henhold til forskriftene for radioutstyr fra 2017, og alle andre gjeldende britiske forskrifter. Du finner den fullstendige samsvarserklæringen på: www.Bose.com/compliance.

Enheten er bare beregnet til innendørsbruk når den brukes i 5150–5250 MHz-båndet, for å redusere muligheten for skadelig interferens for mobile satellittsystemer for felleskanaler.

For Europa:

Frekvensbånd 2400 til 2483,5 Mhz for bruk:

Bluetooth® /Wi-Fi: Maksimal overføringseffekt mindre enn 20 dBm EIRP

Bluetooth Low Energy: Maksimal spektral tetthet mindre enn 10 dBm/MHz EIRP.

Frekvensbånd for bruk er 5150 til 5350 MHz og 5470 til 5725 MHz:

Wi-Fi: Maksimal overføringseffekt mindre enn 20 dBm EIRP.

Denne enheten er begrenset til innendørsbruk og 5 150–5 350 MHz-båndet i alle EU-medlemslandene som vises i tabellen.

	BE	DK	IE	UK (NI)	FR	CY	SK	HU	AT	SE	BG	DE	PT	EL
	HR	LV	LT	MT	PL	CZ	EE	FI	ES	IT	RO	LU	NL	SI



Dette symbolet betyr at produktet ikke må kasseres som husholdningsavfall, og at det skal leveres til et passende innsamlingsanlegg for gjenvinning. Riktig avfallshåndtering og resirkulering bidrar til å beskytte naturressurser, menneskers helse og miljøet. Hvis du vil ha mer informasjon om avfallshåndtering og resirkulering av dette produktet, kontakter du de lokale myndighetene, avfallsorganisasjonen eller butikken hvor du kjøpte dette produktet.



廢電池請回收

Kasser brukte batterier på riktig måte i henhold til lokale bestemmelser. Må ikke brennes.



Tabell over begrensning av farlige stoffer for Kina

Navn på og innhold i giftige eller skadelige stoffer eller bestanddeler						
Giftige eller farlige stoffer og elementer						
Delnavn	Bly (Pb)	Kvikksølv (Hg)	Kadmium (Cd)	Heksavalent (CR(VI))	Polybromert bifenyler (PBB)	Polybromert difenyleter (PBDE)
PCB-er	X	0	0	0	0	0
Metaldeler	X	0	0	0	0	0
Plastdeler	0	0	0	0	0	0
Høytalere	X	0	0	0	0	0
Kabler	X	0	0	0	0	0

Denne tabellen er utarbeidet i henhold til kravene i SJ/T 11364.

O: Angir at dette giftige eller farlige stoffet som finnes i alle de homogene materialene i denne delen, er under grensekravene i GB/T 26572.

X: Angir at dette giftige eller farlige stoffet som finnes i minst ett av de homogene materialene i denne delen, er over grensekravene i GB/T 26572.



Tabell over begrensning av farlige stoffer for Taiwan

Utstyrnavn: Bose Videobar VBI Typebetegnelse: 433869						
Begrensede stoffer og kjemiske symboler						
Enhet	Bly (Pb)	Kvikksølv (Hg)	Kadmium (Cd)	Heksavalent krom (Cr+6)	Polybromerte bifenyler (PBB)	Polybromerte difenyleter (PBDE)
PCB-er	—	○	○	○	○	○
Metaldeler	—	○	○	○	○	○
Plastdeler	○	○	○	○	○	○
Høytalere	—	○	○	○	○	○
Kabler	—	○	○	○	○	○

Merknad 1: «○» angir at den prosentvise innholdsandelen av det begrensede stoffet ikke overskrider prosentdelen av referanseverdien for tilstedeværelse.

Merknad 2: «—» angir at det begrensede stoffet samsvarer med unntaket.

Produksjonsdato: Det åttende tallet i serienummeret viser produksjonsåret: 3 er 2013 eller 2023.

Importør for Kina: Bose Electronics (Shanghai) Company Limited, Level 6, Tower D, No. 2337 Gudai Rd. Minhang District, Shanghai 201100

Importør i EU: Bose Products B.V., Gorslaan 60, 1441 RG Purmerend, Nederland

Importør i Mexico: Bose de México, S. de R.L. de C.V., Paseo de las Palmas 405-204, Lomas de Chapultepec, 11000 México, D.F. Telefonnummer: +5255 (5202) 3545

Importør for Storbritannia: Bose Limited Bose House, Quayside Chatham Maritime, Chatham, Kent, ME4 4QZ, Storbritannia
Bose Corporation, Framingham, MA 01701, U.S.A. 1-877-230-5639

Strømtabell

I henhold til europaparlaments- og rådsdirektiv 2009/125/EF om rammene for fastsettelse av krav til miljøvennlig design til energirelaterte produkter samsvarer produktet med følgende regler eller dokumenter: Kommisjonsforordning (EU) nr. 801/2013 om endring av forordning (EF) nr. 1275/2008.

Påkrevd informasjon om strømtilstand	Strømmoduser	
	Hvilemodus	Nettverkstilkoblet hvilemodus
Strømförbruk i angitt strømmodus ved 230 V / 50 Hz	< 0,5 W	Wi-Fi, Ethernet, <i>Bluetooth</i> < 2,0 W
Tid før utstyret automatisk skifter modus	< 2,5 timer	< 20 minutter
Strømförbruket i nettverkstilkoblet hvilemodus hvis alle kablede nettverksporter er tilkoblet, og alle trådløse nettverksporter er aktivert, ved 230 V / 50 Hz	< 2,0 W	< 2,0 W
Rutiner for deaktivering og aktivering av nettverksport. Hvilemodus aktiveres hvis alle nettverk deaktiveres.	<p>Wi-Fi: Deaktiver ved å gjenopprette fabrikkinnstillingene: Trykk og hold inne Home-knappen og Autoframe-knappen på fjernkontrollen samtidig i 5 sekunder, eller trykk og hold inne Mute-knappen og <i>Bluetooth</i>-knappen på siden av enheten samtidig i 5 sekunder. Aktiver via Videobar Mobile-programmet.</p> <p>Ethernet: Deaktiver ved å ta ut Ethernet-kabelen. Aktiver ved å sette inn Ethernet-kabelen.</p> <p><i>Bluetooth:</i> Deaktiver ved å gjenopprette fabrikkinnstillingene: Trykk og hold inne Home-knappen og Autoframe-knappen på fjernkontrollen samtidig i 5 sekunder, eller trykk og hold inne Mute-knappen og <i>Bluetooth</i>-knappen på siden av enheten samtidig i 5 sekunder. Aktiver ved å koble sammen med en <i>Bluetooth</i>-kilde.</p>	

Teknisk informasjon om ekstern strømforsyning

Den eksterne strømforsyningen som leveres med produktet samsvarer i henhold til europaparlaments- og rådsdirektiv 2009/125/EF om rammene for fastsettelse av krav til miljøvennlig design til energirelaterte produkter med følgende regler eller dokumenter: Kommisjonsdirektiv (EU) 2019/1782.

Produsent	Bose Products B.V.
Kommersielt registreringsnummer	36037901
Adresse	Gorslaan 60 1441 RG Purmerend Nederland
Modell-ID	DT24V-1.8C-DC
Inngangsspennning	100 V–240 V
Inngangsfrekvens AC	50 Hz/60 Hz
Utgangsspennning	24 VDC
Utgangsstrøm	1,9 A
Utgangseffekt	45 W
Gjennomsnittlig aktiv effektivitet	89,9%
Effektivitet ved lav belastning (10 %)	87,0%
Strømförbruk uten last	0,07 W

Lisenser og juridisk informasjon

Bose er et varemerke som tilhører Bose Corporation.

Videobar er et varemerke som tilhører Transom Post OpCo LLC.



DisplayLink® er det registrerte varemerket for DisplayLink Corp. i EU, USA og andre land.



Termene HDMI og HDMI High-Definition Multimedia Interface samt HDMI-logoen er varemerker eller registrerte varemerker som tilhører HDMI Licensing Administrator, Inc.

Android og Google Play er varemerker som eies av Google LLC.

Bluetooth® og logoene er registrerte varemerker som tilhører Bluetooth SIG, Inc. All bruk som Bose Professional gjør av disse varemerkene, er på lisens.

macOS er et varemerke for Apple Inc.

USB Type-C® og USB-C® er registrerte varemerker for USB Implementers Forum, og er bare utviklet for bruk med produkter basert på og i samsvar med USB-kabel og kontakt Type-C®.

Wi-Fi er et registrert varemerke for Wi-Fi Alliance®.

Alle andre varemerker tilhører sine respektive eiere.

For å se lisenserkjøringer som gjelder for de tredjeparts programvarepakene inkludert som komponenter i Videobar VBI:

Videobar VBI: Last ned og åpne mobilapplikasjonen **Videobar Mobile**, trykk på ikonet for **Settings**, og trykk deretter på **Lisensavtale for sluttbrukere**.

Videobar Mobile mobilapplikasjon: Trykk på ikonet for **Settings**, trykk deretter på **Lisensavtale for sluttbrukere**.

Videobar Configuration-app eller WebUI: Klikk på ikonet for **Settings**, klikk deretter på **Lisensavtale for sluttbrukere**.

Videobar Administration-app: Klikk på menyen (☰), klikk på **Om Videobar Administration**, og klikk deretter på **Lisensavtale for sluttbrukere**.

Bose Professional sine retningslinjer for personvern er tilgjengelige på **boseprofessional.com**.

©2023 Transom Post OpCo LLC. Ingen del av dette arbeidet kan bli reproduisert, endret, distribuert eller på annen måte brukt uten skriftlig tillatelse på forhånd.

Fyll ut og ta vare på til senere.

Serie- og modellnummeret er plassert på baksiden av produktet.

Serienummer: _____

Modellnummer: _____

Garantiinformasjon

Dette produktet er dekket av en begrenset garanti.

Gå til **boseprofessional.com/warranty** for garantidetaljer.

HVA LIGGER I ESKEN

Innhold	10
---------------	----

KONFIGURERING

Generelle instruksjoner for montering.....	12
Montere VB1 på bord, hylle eller benk.....	13
Montering av VB1 på vegg	14
Personverndeksel til kamera.....	19
Kabeltilkoblinger	20
Kabelordning	21

PROGRAMVARE

Videobar Configuration-app og WebUI.....	24
Videobar Administration-appen	26
Videobar Mobile app	26

PRODUKTOPPLYSNINGER

Paneler	27
Frontpanel	27
Sidepanel	28
Bakpanel.....	29
Fjernkontroll.....	30
Lysfelt	31

BETJENING

Starte et møte	34
Justere kameraet.....	35
Tilbakestille kameraet	35
Justere vinkel for panorering og tilt.....	35
Justere zoom.....	36
Lagre og hente en forhåndsinnstilling.....	36
Slå autoframing på/av.....	37
Stille inn volum.....	38
Lokal lydavspilling	38
Møtelyd	38
Justere lydvolum.....	38
Administrere Bluetooth-enheter	39
Pare en Bluetooth-enhet med VB1.....	39
Koble en Bluetooth-enhet fra VB1.....	39
Strømsparemoduser	40

STELL OG VEDLIKEHOLD

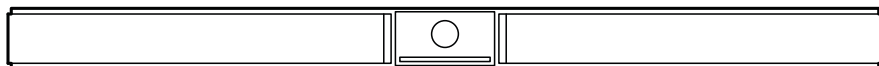
Rengjør VB1.....	41
Deler og tilbehør	41
Begrenset garanti	41
Plassering av serienummer	41
Gjenopprette standard fabrikkinnstillinger.....	42
Glemt passord	42
Oppdatere programvaren.....	42

FEILSØKING

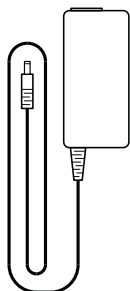
Prøv disse løsningene først.....	43
----------------------------------	----

HVA LIGGER I ESKEN

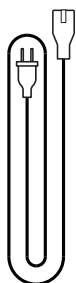
Innhold



Videobar VB1



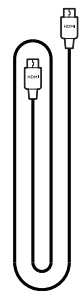
Strømtilførsel



Strømledning



USB Type-C®-kabel

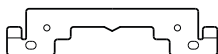


HDMI-kabel



Bordstativ

A  Bordstativskruer (2)



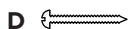
Veggbrakett



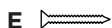
B Stort gipsanker (4)



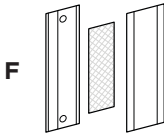
C Gipsankerpinne



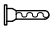
D Panskrue (2)



E Flathodeskrue (2)



F

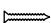
G  Lite gipsanker (2)

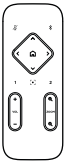
H  Liten flathodeskrue (2)



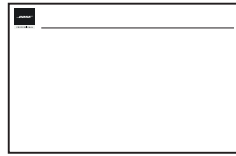
I

J  Lite gipsanker

K  Liten flathodeskrue



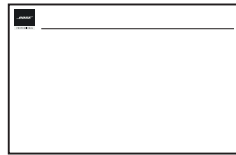
Fjernkontroll



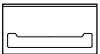
Hurtigveiledning



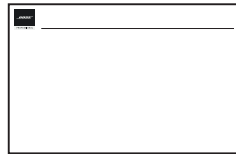
AAA/LR03-batterier (2)



Oppsettsveiledning for
bordmontering



Personverndeksel til kamera



Oppsettsveiledning for
veggmontering



USB-C-til-A-adapter



Sikkerhetsinstruksjoner



2 pinner Euroblock-kontakt

KONFIGURERING

Generelle instruksjoner for montering

VB1 må IKKE settes på forsiden, baksiden eller oversiden når den er i bruk.

IKKE legg noen gjenstander oppå VB1.

Unngå å plassere VB1 ved ventiler for klimaanlegg, varmeovner eller radiatorer, vifter eller andre kilder til støy eller vibrasjoner.

Du kan unngå trådløse forstyrrelser ved å holde annet trådløst utstyr **0,3-0,9 m (1-3 ft)** unna høyttaleren. Plasser VB1 utenfor og unna metallskap, andre lyd/-videokomponenter og direkte varmekilder.

Kontroller at det er en stikkontakt i nærheten.

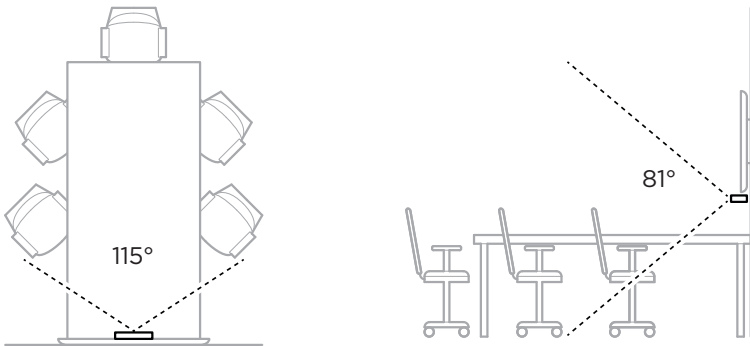
Plasser VB1 rett under (anbefales) eller over TV-en, slik at gitteret er vendt mot rommet.

For å få den beste lyd kvaliteten, må du IKKE plassere VB1 i et lukket skap eller diagonalt i et hjørne.

Sørg for at alle deltakerne sitter i kameraets synsfelt. Alle møtedeltakerne må være i synsfeltet for at autoframing-funksjonen skal fungere riktig (se **Slå autoframing på/av (Side 37)**).

VB1-kameraets synsfelt er 115° horisontalt og 81° vertikalt.

Sørg for at møterommet kan ha god belysning under møtet.

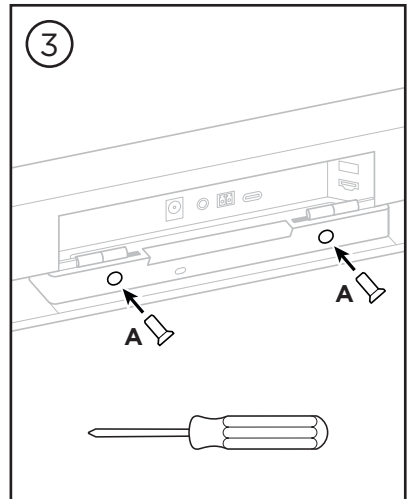
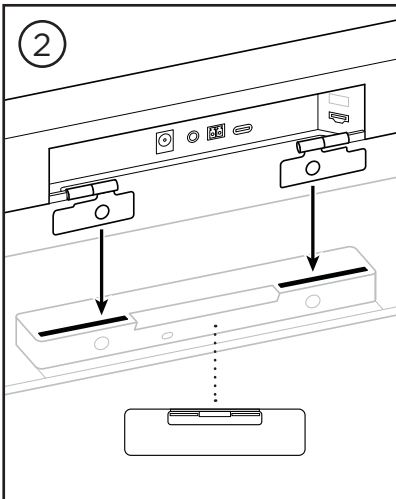
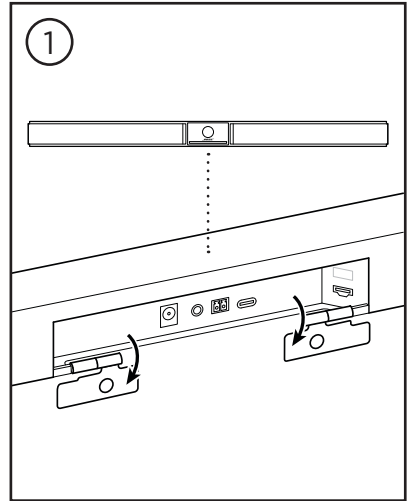
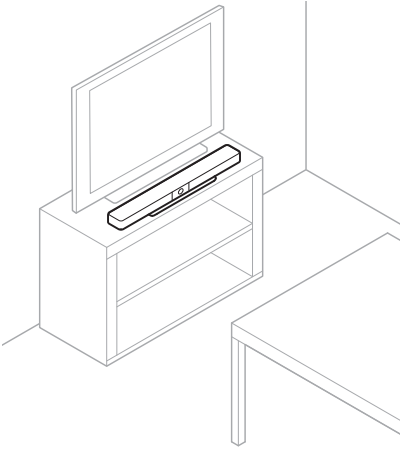


Montere VB1 på bord, hylle eller benk

For å få den beste ytelsen, følg disse anbefalingene når du monterer VB1 på et bord, en hylle eller en benk:

Sett VB1 i bordstativet på et stødig og jevnt underlag.

Plasser fronten av VB1 slik at underlaget ikke vises i kamerabildet. Sørg for at møterommet kan ha god belysning under møtet.



Montering av VB1 på vegg

For å få best mulig ytelse, følg disse anbefalingene når du monterer VB1 på en vegg:

Når du vurderer hvor du skal sette veggbraketten, sørg for at det er nok plass til VB1 rundt braketten:

Det må være minst **3,8 cm (1,5 in)** åpen plass over veggbraketten. Dette sørger for at du kan henge VB1 på den (trinn 7) og justere vinkelen til VB1. Det gir også nok plass til å komme til inn- og utgangene på baksiden av VB1.

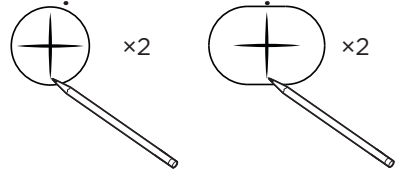
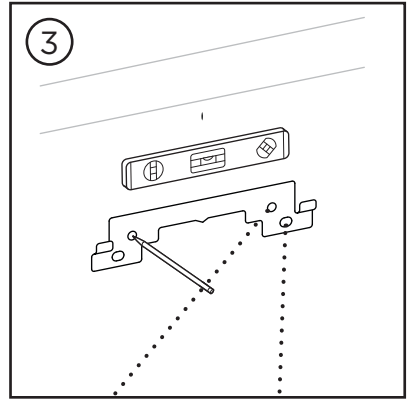
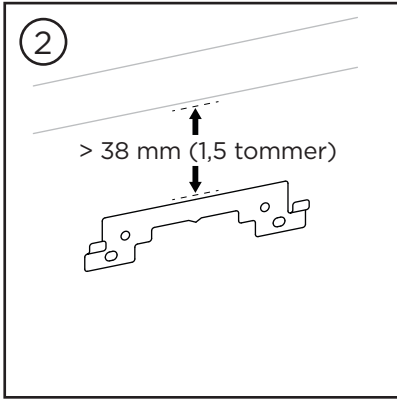
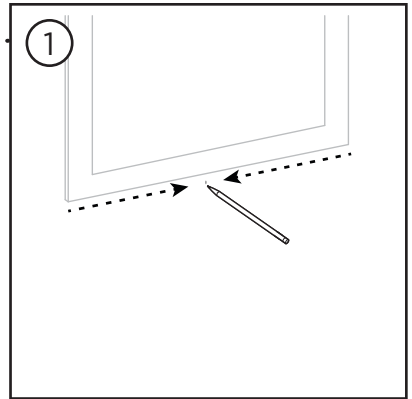
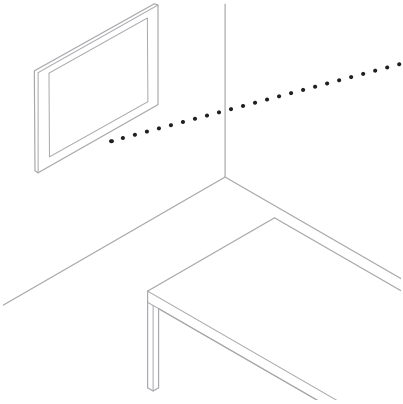
Det må være minst **11,4 cm (4,5 in)** åpen plass under veggbraketten. Dette lar deg henge VB1 vertikalt under installasjon, for å koble til ledninger og justere vinkelen til VB1.

Det må være minst **73,7 cm (29,0 in)** åpen plass i bredden - når veggbraketten står i midten. Dette er nødvendig for å få plass til VB1 og få tilgang til lyduttgang og knapper på siden av VB1 (det må være **2,5 cm (1,0 in)** på hver side).

Bruk bare følgende deler for å montere produktet:

Merk: Noen ekstra verktøy trengs.

Merk: Les de medfølgende Viktige sikkerhetsinstruksjoner før du fortsetter.



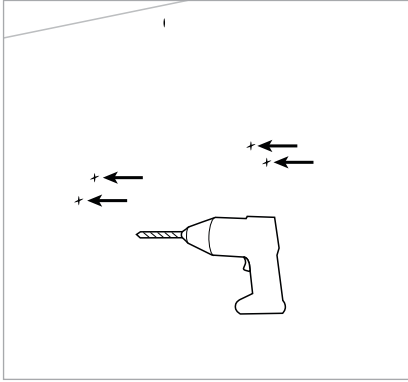
4

ADVARSLER:



Må ikke monteres på overflater som ikke er solide, eller som har skjulte faremomenter bak seg, for eksempel elektriske kabler eller rør. Hvis du er usikker, må du kontakte en profesjonell montør.

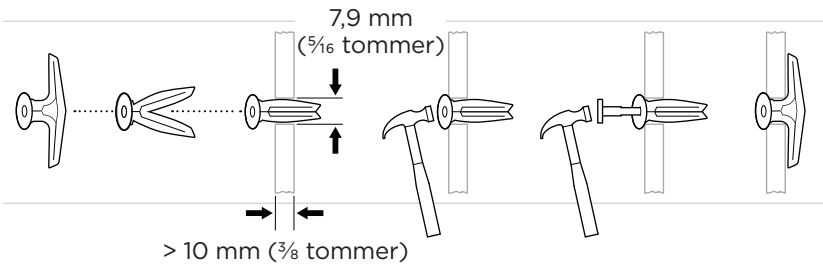
Det medfølgende utstyret kan ikke brukes på murverk.



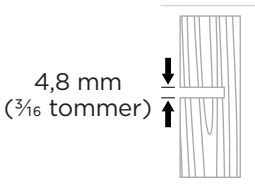
Veggplate
7,9 mm ($\frac{5}{16}$ tommer)

**Trestender/
metallstender**
4,8 mm ($\frac{3}{16}$ tommer)

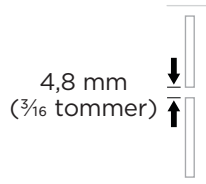
Veggplate

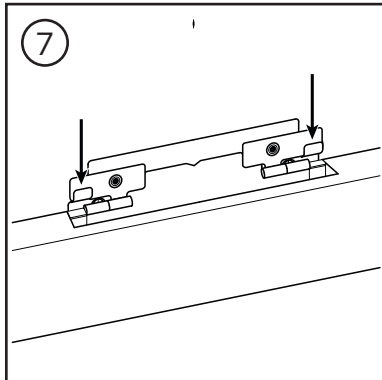
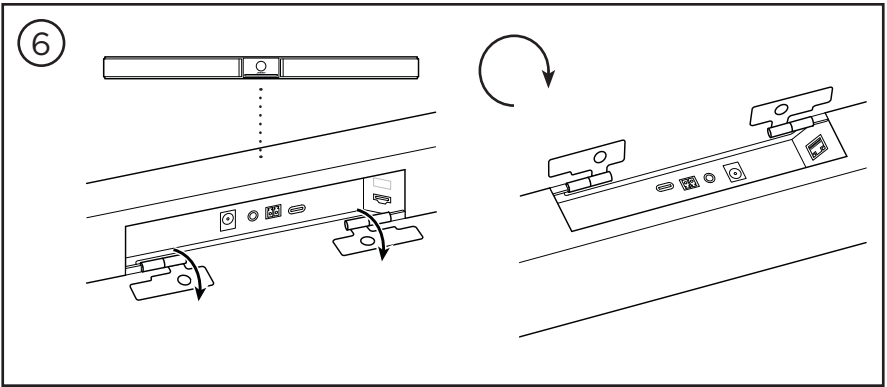
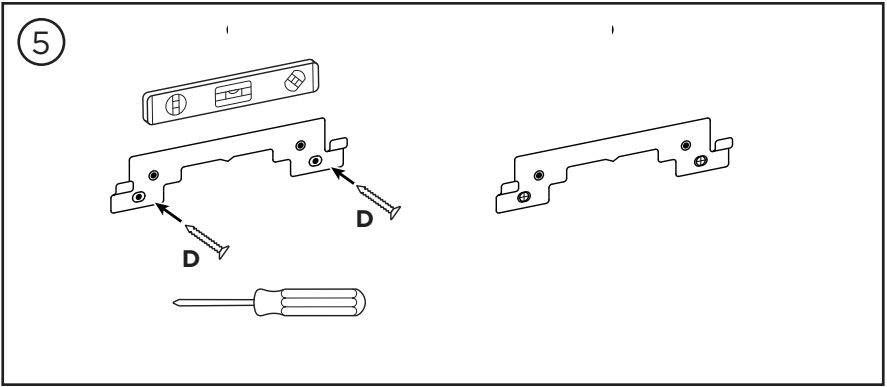


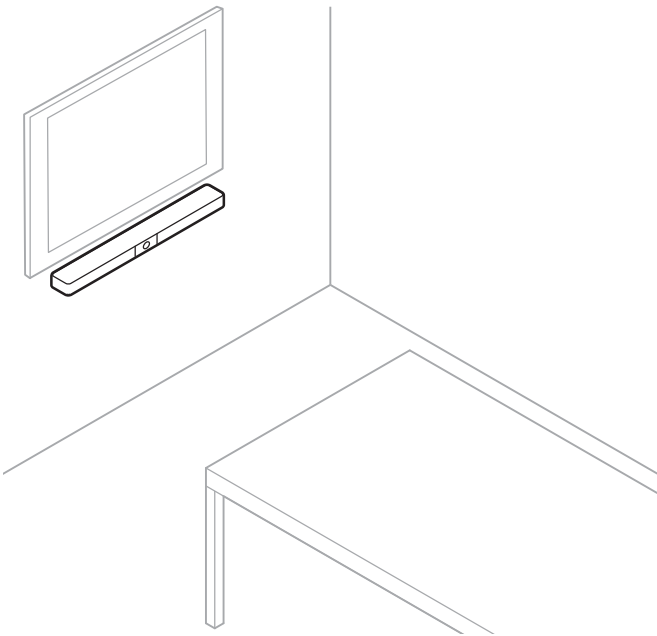
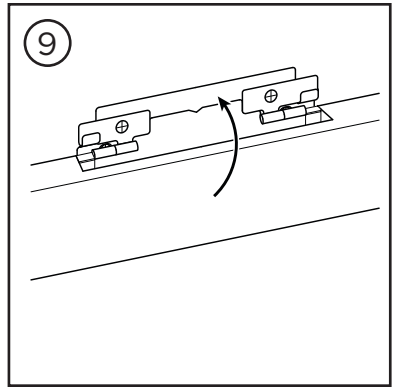
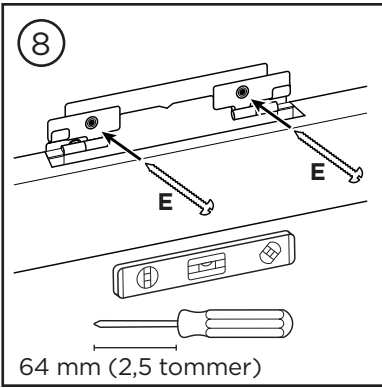
Trestender



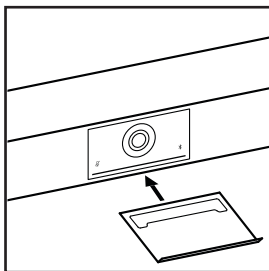
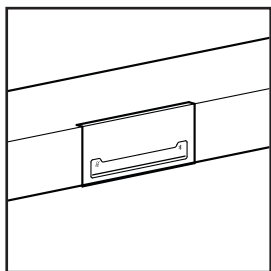
Metallstender







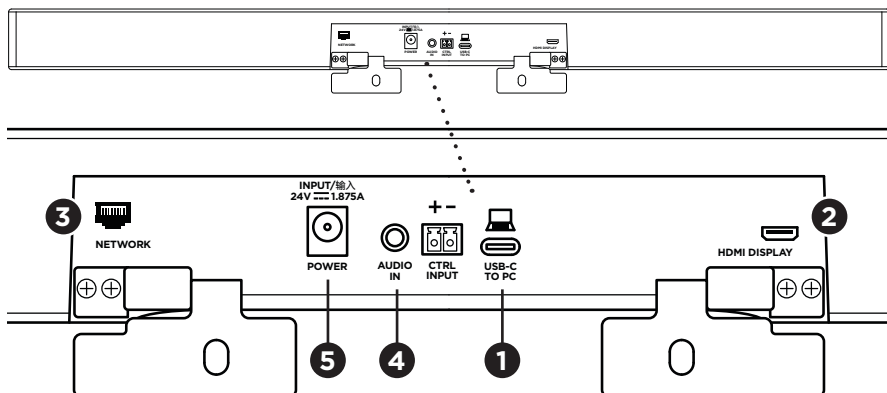
Personverndeksel til kamera



Det inkluderte kameradekslet lar deg dekke til kameraets synsfelt helt, uten å skule indikatorlampene og lysfeltet.

Dekslet er magnetisk, og sitter fast når det settes på VB1-lisen som vist. Oppbevar dekslet ved å feste det under linsen når det ikke er i bruk.

Kabeltilkoblinger



1. Koble den medfølgende USB-C®-kabelen til **USB-C**-porten.

Legg den andre enden av denne kabelen på bordet, slik at møtearrangøren enkelt kan koble datamaskinen sin til og fra for hvert møte.

Merk: Hvis datamaskinen som er vert for et møte bare har USB-A-porter, setter du USB-C-til-A-adapteren på enden av USB-C-kabelen som går til datamaskinen.

2. **Valgfritt:** Bruk den medfølgende HDMI-kabelen for å koble **HDMI Display**-porten til en HDMI-port på en skjerm eller monitor.

Merk: Datamaskinen som fungerer som vert må ha den nyeste DisplayLink®-driveren installert, og VB1 må ha sin DisplayLink-innstilling aktivert (deaktivert som standard) for at HDMI-utgangen skal fungere. Gå til displaylink.com/downloads for å laste ned den nyeste driveren. Slå DisplayLink-innstillingen på eller av med Videobar Configuration-appen eller WebUI eller Videobar Administration-appen (se **Programvare (Side 23)**).

3. **Valgfritt:** Hvis du skal bruke VB1 i et nettverk, bruker du en Cat 5-kabel (medfølger ikke) for å koble **Network**-porten til en LAN-port, nettverkssvitsj osv.

4. **Valgfritt:** For AUX-lyd fra en analog lydutgang på en skjerm, kobler du en 3,5 mm (1/8 in) stereokabel (medfølger ikke) til **Audio In**-kontakten

Kontaktinndelingen er:

1. Tupp = venstre lyd inn
2. Ring = høyre lyd inn
3. Hylse/ring 2 = jord



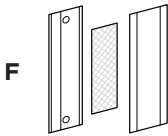
5. Koble den medfølgende strømforsyningen til **Power**-inngangen.
6. Bruk den medfølgende strømledningen til å koble strømforsyningen til et strømuttak. VB1 slår seg på automatisk når den kobles til en strømkilde.

Det er flere applikasjoner som kan brukes til å konfigurere Videobar VB1 for optimal ytelse. Se **Programvare (Side 23)** for mer informasjon.

Hvis du må bruke en USB-forgrener, finner du en liste med anbefalte USB-forgrenere fra tredjeparter til bruk med VB1 på boseprofessional.com/VB1.

Kabelordning

Det medfølgende kabeldekslet kan holde alle permanente kabler på plass mot veggen.



G  Lite gipsanker (2)

H  Liten flathodeskrue (2)

Slik monterer du kabeldekslet:

1. Plasser og hold baksiden av kabeldekslet **(F)** (delen med skruehull) mot ønsket punkt på veggen.
2. Marker midten av de to skruehullene på veggen og fjern baksiden av kabeldekslet.
3. Hvis det er en stender på baksiden av veggen, borer du to **2,4 mm** ($\frac{3}{32}$ tommer) hull i veggen.
Hvis det ikke er en stender på baksiden av veggen, borer du to **5 mm** ($\frac{3}{16}$ tommer) hull i veggen.
4. Hvis delen av veggen ikke har en stender, setter du to små gipsankere **(G)** inn i veggen.
5. Still inn baksiden av kabeldekslet **(F)** mot skruehullene.
6. Skru to små flathodeskruer **(H)** inn i baksiden av kabeldekslet for å feste det til veggen.
7. Samle ledningene og legg dem langs føringen på baksiden av kabeldekslet (på veggen).
8. Fjern tapelisten fra skummet til kabeldekslet **(F)**.
9. Fest tapelisten godt på baksiden av kabeldekslet, ved siden av ledningsbunten.
10. Plasser forsiden av kabeldekslet **(F)** over kabelbunten og skummet, slik at den fester seg.



J Lite gipsanker

K Liten flathodeskrue

Slik fester du strømtilførselsledningen til veggen:

1. Vurder hvor på veggen du vil feste strømtilførselsledningen.
2. Marker et nytt skruehull på veggen.
3. Hvis det er en stender på baksiden av veggen, borer du ett **2,4 mm** ($\frac{3}{32}$ tommer) hull i veggen.
Hvis det er en stender på baksiden av veggen, borer du ett **5 mm** ($\frac{3}{16}$ tommer) hull i veggen.
4. Hvis delen av veggen ikke har en stender, setter du et lite gipsanker (**J**) inn i veggen.
5. Still inn øyet på kabelstroppen (**I**) mot skruehullet.
6. Skru den lille flathodeskruen (**H**) inn i øyet på kabelstroppen for å feste det til veggen.

PROGRAMVARE

De tre applikasjonene lar deg konfigurere Videobar VB1:

Bruk Videobar Configuration-programmet – tilgjengelig for Windows og macOS eller i nettleser – for oppsett og konfigurering av enheten.

Funksjoner:

Kamerakontroll: panorering, tilt, zoom, forhåndsinnstillinger og autoframing

Passordbeskyttet administrasjon og konfigurasjon

Installer fastvareoppdateringer, opprett og bruk konfigurasjonsprofiler, slå HDMI-utganger på eller av (DisplayLink), innstillinger for nettverk, *Bluetooth*, avanserte kamerainnstillinger og mer.

Varsler deg hvis en oppdatering for Videobar er tilgjengelig.

Tilgjengelig for Windows og macOS eller via nettleser, med alle funksjonene til programvaren på den stasjonære versjonen over en nettverkstilkobling.

Bruk Videobar Administration-programmet til fjernstyring, for endringer på én enhet, eller flere enheter i hele organisasjonen, og til å se enhetsstatus i sanntid.

Funksjoner:

Se enhetsstatus og kontrollerer kritiske funksjoner for alle dine Bose Professional Videobar-enheter fra ett sted.

Planlegg fastvareoppdateringer for alle eller bare valgte enheter.

Se, rediger og lagre parametere for én enhet eller en gruppe av enheter.

Oppdag alle enheter på nettverket; opprett, lagre og bruk enhetsprofiler.

Tilgjengelig for Windows

Videobar Mobile-mobilappen gjør det mulig for alle i rommet å kontrollere Videobar VB1 med smarttelefonen sin – justere volum, dempe lyden, panorere, tilte, zoome, velge zoom-forhåndsinnstillinger, og *Bluetooth*-paring.

Funksjoner:

Sanntids kontroll av volum, slå av lyd, panorering, tilt, zoom, forhåndsinnstillinger for zoom, og *Bluetooth*-paring fra mobiltelefonen.

Bruk *Bluetooth*-paring for å oppdage og kommunisere med Videobar VB1

Tilgjengelig for iOS og Android

Videobar Configuration-app og WebUI

Slik laster du ned og installerer Videobar Configuration-appen på datamaskinen din:

1. På datamaskinen din, gå til **boseprofessional.com/VB1**.
2. Last ned og installer **Videobar Configuration Software**-appen.

Slik åpner og bruker du Videobar Configuration-appen til å konfigurere VB1:

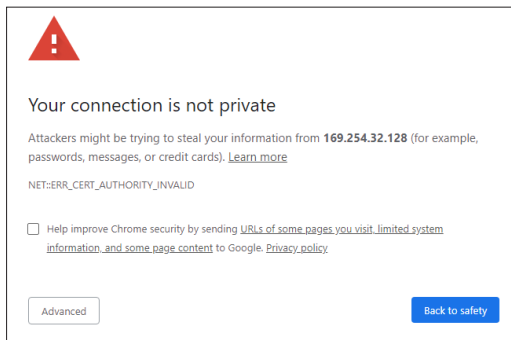
1. Koble datamaskinen din til **USB-C**-porten på VB1.
2. Åpne **Videobar Configuration**-appen.
3. For å åpne Administrator-innstillingene for å konfigurere VB1, klikker du på **Administrator**-ikonet i navigasjonspanelet og oppgir standardpassordet fra fabrikk: **Bose123!**

Merk: Vi anbefaler at du endrer passordet etter at du har fått tilgang.

For å åpne og bruke den nettleserbaserte Videobar Configuration WebUI til å konfigurere VB1 over en nettverkstilkobling:

1. Koble datamaskinen og VB1 til det samme nettverket.
2. Oppgi IP-adressen til VB1 i adresselinjen i en nettleser på datamaskinen din og trykk på **Enter**. (Du kan se IP-adressen til VB1 ved bruk av Videobar Configuration-appen over USB eller ved bruk av Videobar Administration-appen som automatisk oppdager VB1-enheter på nettverket.) Videobar Configuration WebUI åpnes.

Merk: I noen nettlelere kan du se en sikkerhetsadvarsel som dette:



Dette er normalt, og ikke en sikkerhetsrisiko. Klikk på **Advanced**. (Hvis du er usikker på å utføre en handling på datamaskinen din, i en nettleser osv., kan du forhøre deg med IT-/systemadministratoren din først.)

Du kan deretter motta en oppfølgingsmelding:

This server could not prove that it is **169.254.32.128**; its security certificate is not trusted by your computer's operating system. This may be caused by a misconfiguration or an attacker intercepting your connection.

[Proceed to 169.254.32.128 \(unsafe\)](#)

Dette er også normalt. Klikk på lenken **Proceed to...** for å gå til påloggingssiden for Videobar Configuration WebUI.

Standardpassordet for administrator fra fabrikken er: **Bose123!**

Merk: Vi anbefaler at du endrer passordet etter at du har fått tilgang.

For å åpne hjelp-filen til Videobar Configuration-appen eller WebUI, se siden **Settings** i appen eller WebUI.

Videobar Administration-appen

Slik laster du ned Videobar Administration-programmet:

1. På datamaskinen din, gå til **boseprofessional.com/VB1**.
2. Last ned og installer **Videobar Administration**-appen.

For å åpne og bruke Videobar Administration-appen til å konfigurere én eller flere VB1-enheter over en nettverkstilkobling:

1. Koble datamaskinen og hver VB1 til det samme nettverket.
2. Åpne **Videobar Administration**-appen.

For å åpne hjelp-filen til Videobar Administration-appen, se siden **About Videobar Administration** i appen.

Videobar Mobile app

Videobar Mobile-appen lar deg bruke infrarød fjernkontrollfunksjon på mobiltelefonen din. Slik laster du ned Videobar Mobile-appen:

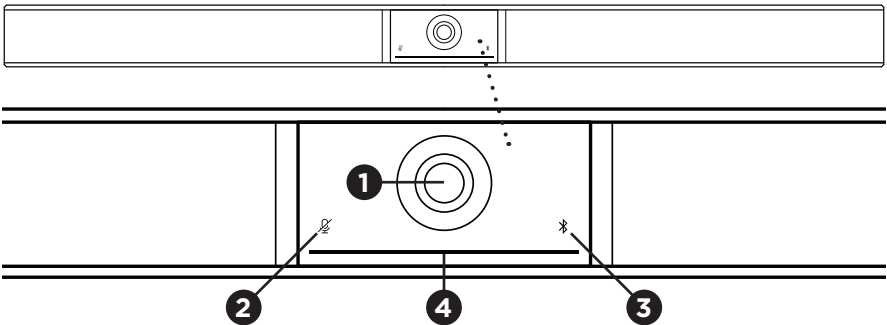
1. Søk etter og last ned **Videobar Mobile**-appen fra App StoreSM eller Google PlayTM.
2. Åpne appen på mobilenheten din og slå på posisjonssporing.
3. På mobilenheten din, koble til **Videobar VB1**.

For å åpne hjelp-filen til Videobar Mobile-appen, se **Settings**-siden i appen.

PRODUKTOPPLYSNINGER

Paneler

Frontpanel



1. Kamera

2. **Mute-indikator:** Denne lampen lyser rødt når mikrofonene er avslått.

3. **Bluetooth-indikator:** Denne lampen viser gjeldende status for VB1 Bluetooth-tilkobling:

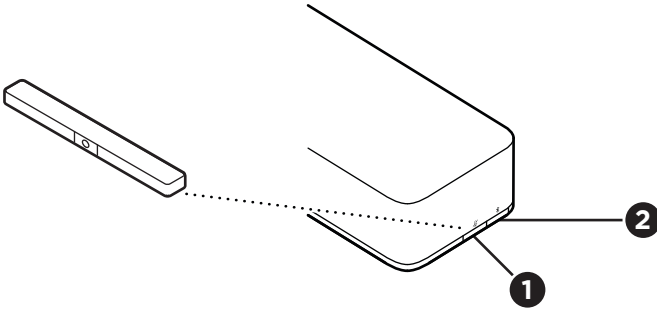
Sakte blå blinking: VB1 kan pares med en mobilenhet med *Bluetooth*.

Lyser hvitt: VB1-enheten kobles til Videobar Mobile-appen eller en mobilenhet for samtaler og medier.

Av: Ingen *Bluetooth*-tilkobling.

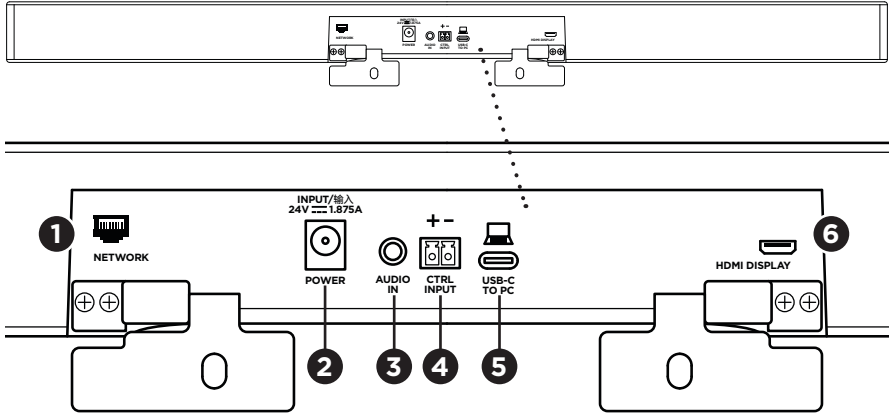
4. **Lysfelt:** Se **Lysfelt (Side 31)** for mer informasjon om dette.

Sidepanel



1. **Mute-knapp:** Trykk denne knappen for å slå av eller på lyden på VB1-mikrofonene.
2. **Bluetooth-knapp:** Trykk og hold inne denne knappen for å starte paringsmodus.

Bakpanel



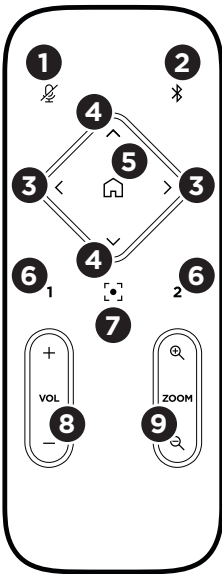
1. **Nettverk:** Bruk denne 1 Gbps RJ45-tilkoblingen for å konfigurere og/ eller overvåke. (denne porten sitter på innsiden av panelet på baksiden.)
2. **På/av:** Koble til den medfølgende strømtilførselen.
3. **Audio In:** Bruk en 3,5 mm (1/8 tommer) stereokabel (medfølger ikke) for å koble til en valgfri lydkilde, for eksempel lyd fra en tilkoblet monitor eller skjerm.
4. **Ctrl Input:** Bruk porten for å overstyre mute ved bruk av den medfølgende Euroblock-kontakten med 2 pinner. Denne inngangen er aktiv lav som standard, og inkluderer en intern pull-up.
5. **USB-C:** Koble denne porten til datamaskinen som er vert for møtet.
6. **HDMI Display:** Bruk den inkluderte HDMI-kabelen for å koble denne porten til en skjerm. (denne porten sitter på innsiden av panelet på baksiden.)

Merk: Datamaskinen som fungerer som vert må ha den nyeste DisplayLink®-driveren installert, og VB1 må ha sin DisplayLink-innstilling aktivert (deaktivert som standard) for at HDMI-utgangen skal fungere. Gå til displaylink.com/downloads for å laste ned den nyeste driveren. Slå DisplayLink-innstillingen på eller av med Videobar Configuration-appen eller WebUI eller Videobar Administration-appen (se **Programvare (Side 23)**).

Fjernkontroll

Videobar VB1 inkluderer en infrarød fjernkontroll som lar deg justere kamera- og voluminnstillinger, slå av lyden fra mikrofonene, og sette VB1 i *Bluetooth*-paremodus.

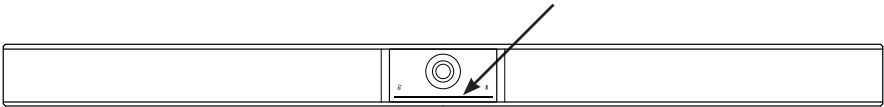
Merk: Alle fjernkontrollfunksjoner er også tilgjengelige i programvareapper som lar deg konfigurere Videobar VB1. Se **Programvare (Side 23)** for mer informasjon.










1. **Mute:** Slå lyden til VB1-mikrofonene på/av.
2. **Bluetooth:** Trykk og hold inne i tre sekunder for å starte paringsmodus. Hvis allerede parert med en enhet, trykk og hold inne for å koble fra.
3. **Kamerapanorering:** Trykk for å panorere kameraet til venstre eller høyre (< eller >), eller trykk og hold inne for kontinuerlig justering.
4. **Kameratilt:** Trykk for å vippe kameraet opp og ned (▲ eller ▼), eller trykk og hold inne for kontinuerlig justering.
5. **Hjem, forhåndsinnst.:** Panorer tilbake, tilt og zoom til startposisjon for kamerainnstillinger. Hjem-posisjonen kan endres i Videobar Configuration-appen.
6. **Forh.innst. 1 og 2:** Trykk for å velge forh.innst. 1 eller 2 for kameraet. Trykk og hold inne for å lagre gjeldende panorering, tilt og zoom for kameraet som forhåndsinnstilling 1 eller 2.
7. **Autoframe:** Slå autoframing på/av. Når funksjonen er slått på, justeres kameraets innstillinger for panorering, tilt og zoom automatisk, slik at alle deltakerne alltid inkluderes i synsfeltet.
8. **Volum:** Skru volum opp eller ned (+ eller -).
9. **Kamerazoom:** Zoome inn eller ut (+ eller -) med kameraet.



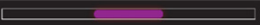
Lysfelt

Lysfeltet sitter under VB1-kameraet.



Utseende	Aktivitet	Systemstatus
	En liten seksjon av lysene midt på lysfeltet lyser hvitt.	Slått på og «våken».
	Alle lysene lyser kontinuerlig hvitt.	Møtet er aktivt. Kameraet er av.
	Lyset i midten lyser kontinuerlig grønt, mens lysene rundt lyser kontinuerlig hvitt.	Møtet er aktivt. Kameraet er på, med autoframing av.
	En liten seksjon av lysene midt på lysfeltet lyser kontinuerlig grønt, mens lysene rundt lyser kontinuerlig hvitt.	Møtet er aktivt. Kameraet er på, med autoframing på.
	En liten seksjon av lysene midt på lysfeltet lyser kontinuerlig grønt, mens lysene rundt er av.	Kameraet er på. Intet aktivt møte.
	Lyset lengst til venstre på lysfeltet blinker én gang (hvitt/på hvis ingen aktiv samtale; av hvis aktiv samtale).	Volumet har blitt senket ett trinn.
	Lyset lengst til høyre på lysfeltet blinker én gang (hvitt/på hvis ingen aktiv samtale; av hvis aktiv samtale).	Volumet har blitt økt ett trinn.

Utseende	Aktivitet	Systemstatus
	En liten seksjon med lys lengst til venstre på lysfeltet blinker én gang (hvitt/på hvis ingen aktiv samtale; av hvis aktiv samtale).	Volumet har blitt satt til laveste nivå.
	En liten seksjon med lys lengst til høyre på lysfeltet blinker én gang (hvitt/på hvis ingen aktiv samtale; av hvis aktiv samtale).	Volumet har blitt satt til høyeste nivå.
	En liten seksjon av lysene midt på lysfeltet blinker raskt i hvitt.	VB1 søker etter et Wi-Fi-nettverk.
	En liten seksjon av lysene midt på lysfeltet pulserer hvitt én gang og slukker.	VB1 har koblet til et Wi-Fi-nettverk. Dette betyr også at VB1 har oppdaget en ny lydkilde tilkoblet vertens USB-port eller Auto In.
	En liten seksjon av lysene midt på lysfeltet lyser kontinuerlig rødt.	VB1 fungerer ikke som den skal på grunn av en fastvare-/programvarefeil. Kontakt Bose Professional teknisk støtte.
	En liten seksjon av lysene midt på lysfeltet blinker gult.	VB1 fungerer ikke som den skal på grunn av et problem med tilkoblingen. Kontroller at VB1 er koblet til et nettverk.
	Hvite lys beveger seg ram og tilbake mellom den høyre og venstre enden.	VB1 laster ned og installerer en fastvareoppdatering. VB1 må ikke kobles fra strømuttaket eller nettverket. Når oppdateringen er ferdig, vil bevegelsen på lysfeltet stoppe, og VB1 vil lage en lyd.

Utseende	Aktivitet	Systemstatus
	<p>En liten seksjon av lysene midt på lysfeltet pulserer hvitt gjentatte ganger.</p> <p>Lysene beveger seg deretter utover fra midten, til hele lysfeltet lyser sammenhengende hvitt. Lysene slår seg av i samme mønster.</p>	<p>VB1 starter igjen etter at standardinnstillingene fra fabrikkens er gjenopprettet.</p>
	<p>En liten seksjon av lysene midt på lysfeltet pulserer hvitt gjentatte ganger.</p>	<p>VB1 starter igjen etter et strømbrudd.</p>
	<p>En liten seksjon av lysene midt på lysfeltet pulserer lilla gjentatte ganger.</p>	<p>Videobar Administration-appen sender en «Identifiser enhet»-melding til VB1.</p>

BETJENING

Starte et møte

Merk: Datamaskinen som fungerer som vert må ha den nyeste DisplayLink®-driveren installert, og VB1 må ha sin DisplayLink-innstilling aktivert (deaktivert som standard) for at HDMI-utgangen skal fungere. Gå til displaylink.com/downloads for å laste ned den nyeste driveren. Slå DisplayLink-innstillingen på eller av med Videobar Configuration-appen eller WebUI eller Videobar Administration-appen (se **Programvare (Side 23)**).

Slik starter du et møte med VB1:

1. Koble den inkluderte USB-kabelen mellom VB1 og datamaskinen. Bruk om nødvendig den inkluderte USB C-til-A-adapteren.
2. Start møtet i det møteprogrammet du ønsker.
3. I møteprogrammets enhetsinnstillinger, velg **Videobar VB1** som enhet for mikrofon, høyttaler og kamera.

Foreta et anrop ved bruk av VB1 som høyttalertelefon:

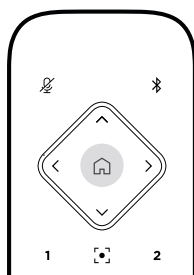
1. Trykk på **Bluetooth**-knappen på siden av VB1 (eller trykk og hold inne *Bluetooth*-knappen på fjernkontrollen i 3 sekunder) for å sette VB1 i paringsmodus.
2. På den mobile enheten din, skanne etter tilgjengelige *Bluetooth*-enheter og velg VB1.
3. Foreta et anrop fra mobilenheten din. Lyden dirigeres automatisk fra mobilenheten din til VB1-høyttalerne og mikrofonene.

Justere kameraet

Merk: Alle fjernkontrollfunksjoner er også tilgjengelige i programvareapper som lar deg konfigurere Videobar VB1. Se **Programvare (Side 23)** for mer informasjon.

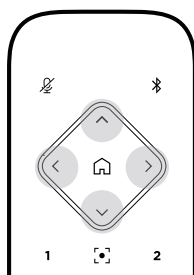
Tips: For rask og enkel justering av kamerainnstillingene, anbefaler vi at du bruker Videobar Mobile-appen på mobilenheten din. Se **Videobar Mobile app (Side 26)**.

Tilbakestille kameraet



Du kan gå tilbake til standardinnstillingene for panorering, tilt og zoom ved å trykke på **Hjem**-knappen på fjernkontrollen.

Justere vinkel for panorering og tilt



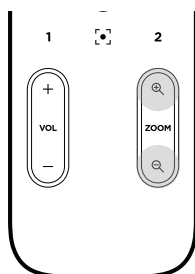
Merk: Det er bare mulig å justere vinkler for panorering og tilt hvis kameraet ikke er zoomet helt ut.

Hvis du vil justere vinkelen for panorering (venstre-høyre), trykker du på en av panoreringsknappene (< eller >) på fjernkontrollen.

Hvis du vil justere vinkelen for tilt (opp-ned) til kameraet, trykker du på en av tilt-knappene (▲ eller ▼) på fjernkontrollen.

Trykk én gang på en av knappene for å justere kameraet i trinn, eller hold inne knappen for kontinuerlig bevegelse.

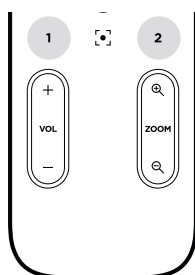
Justere zoom



Hvis du vil justere kameraets zoom, trykker du på en av **Zoom**-knappene (+ eller -) på fjernkontrollen.

Trykk én gang på en av knappene for å justere kameraet i trinn, eller hold inne knappen for kontinuerlig bevegelse.

Lagre og hente en forhåndsinnstilling



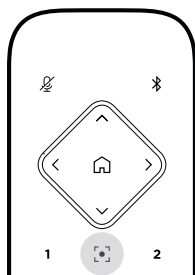
Du kan lagre kameraets innstillinger for panorering, tilt og zoom til en forhåndsinnstilling: Forh.innst. 1 eller Forh.innst. 2. Når du henter en lagret forhåndsinnstilling, går kameraet umiddelbart tilbake til de lagrede innstillingene for panorering, tilt og zoom.

Slik lagrer du en forhåndsinnstilling:

1. Still inn ønskede innstillinger for panorering, tilt og zoom.
2. Trykk og hold inne ønsket forhåndsinnstillingsknapp på fjernkontrollen (**forh.innst. 1** eller **2**) i 3 sekunder. Kamerainnstillingene lagres til den forhåndsinnstillingen.

For å hente en lagret forhåndsinnstilling, trykker du inn ønsket forhåndsinnstillingsknapp på fjernkontrollen (**1** eller **2**). Kameraet endrer umiddelbart innstillingene for panorering, tilt og zoom til de lagrede forhåndsinnstillingene.

Slå autoframing på/av



Hvis du vil slå kameraets autoframing-funksjon på eller av, trykker du på Autoframe-knappen på fjernkontrollen.

Når funksjonen er på, vil kameraet automatisk og kontinuerlig justere innstillingene for panorering, tilt og zoom, slik at alle deltakerne i rommet inkluderes i synsfeltet.

Merk: Hvis du justerer innstillinger for panorering, tilt eller zoom, eller velger **Hjem**, slår **forhåndsinnstilling 1 eller 2** automatisk av autoframing.

Når avslått, justerer du kameraets innstillinger for panorering-tilt-zoom (PTZ) manuelt.

Stille inn volum

Videobar VB1 har fire lydinn ganger: mikrofonene, USB audio, *Bluetooth* audio, og den analoge inngangen (**Audio In**-jack).

VB1 har også tre lydut ganger: høyttalerne, USB audio og *Bluetooth* audio.

Du kan se sanntidsverdiene for alle disse signalene unntatt **Audio In** på fanen **Meters** i Videobar Configuration-appen / WebUI.

Lokal lydavspilling

Musikk eller lyd over USB, *Bluetooth* eller analoge innganger spilles av via VB1-høyttalerne. Denne lyden sendes ikke til den andre enden under møter.

Møtelyd

VB1-mikrofonens lyd sendes til den andre enden (via USB-utgangen) etter AEC (Acoustic Echo Cancellation)-funksjonen.

Hvis lokal lydavspilling sendes over USB-inngangen, spilles den av via VB1-høyttalerne, men AEC-funksjonen fjerner musikken fra VB1-mikrofonens lydopptak før den sendes til den andre enden.

Hvis du vil sende lokal lydavspilling til den andre enden, må du dele lydavspillingsappen i møteprogramvaren.

Justere lydvolument

VB1 har to volumkontroller: for VB1-høyttalerne og for den analoge inngangen (**Audio In**).

Hvis du vil justere volumet på VB1-høyttalerne, bruker du **Volum**knappene **+** eller **-** på fjernkontrollen, eller justerer volumet på vertsmaskinen eller på *Bluetooth*-lyd. Disse tre volumnivåene er alltid synkronisert, så hvis du én av dem, justeres også de andre.

Merk: Alle fjernkontrollfunksjoner er også tilgjengelige i programvareapper som lar deg konfigurere Videobar VB1. Se **Programvare (Side 23)** for mer informasjon.

Hvis det er nødvendig, justerer du **Analog Input Gain** for å tilpasse signalet som sendes til **Audio In**, slik at det passer med nivåene fra vertsmaskinen og *Bluetooth*-lyd. Du kan gjøre dette i Videobar Configuration-appen eller WebUI, eller i Videobar Administration-appen (se **Programvare (Side 23)**).

Administrere *Bluetooth*-enheter

VB1 kan pares med én *Bluetooth*-enhet av gangen. Den kan for eksempel ikke pares med én enhet ved bruk av Videobar Mobile-appen, og en annen enhet for samtaler og avspilling av lyd.

Pare en *Bluetooth*-enhet med VB1

Videobar Mobile-appen parer *Bluetooth*-enheten med VB1 ved bruk av *Bluetooth Low Energy* (BLE). Appen oppdager automatisk VB1-enheter som er i nærheten.

Hvis du vil bare en *Bluetooth*-enhet med VB1 ved bruk av Videobar Mobile-appen, åpner du appen og velger ønsket VB1. *Bluetooth*-indikatoren på frontpanelet til VB1 lyser kontinuerlig hvitt når tilkoblet. (Se **Videobar Mobile app (Side 26)** for mer informasjon.)

Slik parer du en *Bluetooth*-enhet for samtaler eller avspilling av lyd:

1. Trykk på ***Bluetooth***-knappen på siden av VB1 (eller trykk og hold inne *Bluetooth*-knappen på fjernkontrollen i 3 sekunder) for å sette VB1 i paringsmodus. *Bluetooth*-indikatoren på frontpanelet til VB1 blinker blått.
2. På *Bluetooth*-enheten, skanne etter andre tilgjengelige *Bluetooth*-enheter og velg VB1. *Bluetooth*-indikatoren på frontpanelet til VB1 lyser kontinuerlig hvitt når tilkoblet.

Koble en *Bluetooth*-enhet fra VB1

VB1 kobler ikke automatisk til en *Bluetooth*-enhet som har vært paretidligere. Hvis *Bluetooth*-tilkoblingen blir brutt (pga. avstand, bevisst frakobling, paring med en annen enhet osv.), må du følge fremgangsmåten for å pare på nytt.

Hvis du vil koble en *Bluetooth*-enhet fra VB1, gjør du ett av det følgende:

Slå av *Bluetooth*-tilkobling på mobilenheten din.

Trykk på ***Bluetooth***-knappen på siden av VB1.

Trykk og hold inne ***Bluetooth***-knappen på fjernkontrollen i 3 sekunder.

Strømsparemoduser

Energilovgivningningen i noen land krever at produkter som VB1 går i strømsparemodus når de ikke er i bruk, for å spare strøm. Du kan slå av (eller slå på igjen) denne funksjonen i VB1 ved bruk av Videobar Configuration-appen eller WebUI, eller Videobar Administration-appen (se **Programvare (Side 23)**).

Strømsparemodusen til VB1 har to trinn: **standby**-modus og **low-power standby**-modus.

Hvis strømsparemodus er på, går VB1 i standby-modus etter 18 minutter uten aktivitet. Etter 2 timer til uten aktivitet, går den i low-power standby-modus. Lysfeltet foran på VB1 vil være slukket i begge modusene.

Hvis low-power-modus er slått av, vil begge disse modusene også være slått av.

Visse handlinger og kommandoer kan forhindre VB1 fra å gå i standby-modus, «vekke» VB1 fra standby-modus (returnere til normal funksjon), eller «vekke» VB1 fra low-power standby-modus (returnere til normal funksjon).

Handling eller kommando	Forhindrer at VB1 går i standby-modus.	«Vekker» VB1 fra standby-modus.	«Vekker» VB1 fra low-power standby-modus.
Knappetrykk	Mute eller Bluetooth -knappen på siden av VB1	✓	✓
	En knapp på fjernkontrollen	✓	✓
USB	Koble enhet til USB-C -port		✓
	Kommunikasjon fra Videobar Configuration-app eller WebUI	✓	
	Lydavspilling	✓	✓
Bluetooth	Aktiv tilkobling	✓	✓
	Lydavspilling	✓	✓
Wi-Fi eller Ethernet	Kommunikasjon fra Videobar Configuration-app eller WebUI	✓	✓
	Kommunikasjon fra Videobar Administration-appen	✓	✓
HDMI Display	Datamaskin tilkoblet HDMI Display -port med DisplayLink aktivert	✓	✓
Audio In	Lydavspilling	✓	✓

STELL OG VEDLIKEHOLD

Rengjør VB1

Det kan være nødvendig å rengjøre VB1 med jevne mellomrom.

Tørk av overflatene på utsiden med en myk, tørr klut.

Fuktighet må IKK komme på innsiden av gitteret eller noen av kontaktene.

Deler og tilbehør

Reservedeler og tilbehør kan bestilles fra kundestøtte hos Bose Professional. Gå til: **boseprofessional.com**.

Begrenset garanti

Videobar VB1 har en begrenset garanti. Gå til nettsiden vår på **boseprofessional.com/warranty** for informasjon om den begrensede garantien.

Plassering av serienummer

Serie- og modellnummeret er plassert på baksiden av produktet.

Du kan også se serienummeret i Videobar Configuration-appen eller WebUI, eller i Videobar Administration-appen (se **Programvare (Side 23)**).

Gjenopprette standard fabrikkinnstillinger

Gjenoppretting av standard fabrikkinnstillinger gjør det følgende:

Tømmer listen med *Bluetooth*-enheter paret med VB1.

Tømmer forhåndsinnstillinger for kamera (forh.innst. 1 og 2).

Gjenoppretter alle standardverdier for kamera, mikrofon og høyttaler. (Mange av disse innstillingene konfigureres i Videobar Configuration- eller Videobar Administration-programmet.)

Tilbakestiller administratorpassordet til **Bose123!**

Merk: Vi anbefaler at passordet endres etter tilbakestilling.

For å gjenopprette alle VB1-innstillingene til fabrikkinnstillingene, gjør du et av det følgende:

På fjernkontrollen, trykk og hold inne **Home**-knappen og **Autoframe**-knappen samtidig i 5 sekunder.

På siden av VB1, trykk og hold inne **Mute**-knappen og **Bluetooth**-knappen samtidig i 5 sekunder.

En liten seksjon av lysene midt på lysfeltet pulserer hvitt gjentatte ganger. Lysene beveger seg deretter utover fra midten, til hele lysfeltet lyser sammenhengende hvitt. Lysene slår seg av i samme mønster.

Når denne prosessen er fullført, starter VB1 på nytt med standard-fabrikkinnstillingene.

Glemt passord

Hvis du har glemt passordet for Administrator-tilgang til innstillingene, må du gjenopprette de standard fabrikkinnstillingene for å tilbakestille passordet (se **Gjenopprette standard fabrikkinnstillinger (Side 42)**).

Merk: Vi anbefaler at passordet endres etter tilbakestilling.

Oppdatere programvaren

Du kan bruke Videobar Configuration-appen og Videobar Administration-appen for å se etter og installere fastvareoppdateringer i VB1. Se **Programvare (Side 23)** for informasjon om hvordan du laster ned og åpner disse appene.

Hvis du bruker **Videobar Configuration WebUI** til å konfigurere VB1, kan du kanskje ikke automatisk se etter eller oppdatere fastvaren fra serveren, med mindre datamaskinen også er tilkoblet Internett.

Hvis du ikke får tilgang til fastvareoppdateringer når du bruker WebUI, kan du gjøre et av det følgende i stedet:

Bruk **Videobar Configuration-appen**.

Bruk **Videobar Administration-appen**.

Last ned fastvarefilen direkte til datamaskinen, og bruk deretter **Videobar Configuration WebUI** for å oppdatere fastvaren som om den var en eldre versjon.

FEILSØKING

Prøv disse løsningene først.

Hvis du opplever problemer med VB1, kan du prøve disse løsningene først:

Kontroller at VB1 er koblet til strøm.

Sørg for at kablene tilkoblet på bakpanelet er riktig koblet til. Se **Kabeltilkoblinger (Side 20)**.

Sjekk statusindikatorene. Se **Frontpanel (Side 27)**.

Kontroller at den mobile enheten støtter *Bluetooth*-tilkobling.

Se etter tilgjengelige programvareoppdateringer til VB1. Se **Oppdatere programvaren (Side 42)**.

Flytt *Bluetooth*-enheten nærmere VB1 og bort fra eventuelle forstyrrelser eller hindringer.

Juster volumet på VB1, datamaskinen, *Bluetooth*-enheten eller andre lydtkilder. Se **Stille inn volum (Side 38)**.

Hvis du ikke kan løse problemet, kan tabellen nedenfor være til hjelp for å identifisere symptomer og løsninger på vanlige problemer. Kontakt kundestøtte hos Bose Professional hvis du ikke greier å løse problemet. Se **boseprofessional.com**.

Problem	Løsning
Jeg hører musikk, men PC-en er ikke tilkoblet.	Se om <i>Bluetooth</i> -indikatoren lyser kontinuerlig hvitt. Hvis den gjør det, kan <i>Bluetooth</i> -enheten allerede være parett med VB1. Trykk på <i>Bluetooth</i> -knappen på siden av VB1 for å koble fra.
Lyden er for svak, eller ikke hørbar.	Volumet kan være for lavt. Skru opp volumet med: VB1-fjernkontrollen mobilenheten din med <i>Bluetooth</i> (hvis du bruker det) møteprogrammet (høytalervolum) Hvis du fortsatt ikke hører lyd, må du sørge for at Videobar VB1 er valgt som høytaler i møteprogrammet.

Problem	Løsning
Lyden er forvrengt.	<p>Volumet er kanskje for høyt. Skru ned volumet med:</p> <ul style="list-style-type: none"> VB1-fjernkontrollen mobilenheten din med <i>Bluetooth</i> (hvis du bruker det) møteprogrammet (høytalervolum)
Justering av volumet på datamaskinen har ingen effekt på volumet på VB1.	<p>Datamaskinen har kanskje ikke VB1 valgt som standardenhet for lydavspilling (selv om møteprogrammet fungerer som det skal med VB1).</p> <p>Windows: Klikk på høytalerikonet på oppgavelinjen og velg Videobar VB1 som avspillingsenhet.</p> <p>macOS: Klikk på Apple-ikonet øverst til venstre på skjermen og velg System Preferences, klikk på Sound, og klikk deretter på Output. Velg Videobar VB1 i enhetslisten.</p>
Volumet på datamaskinen eller mobilenheten min endret seg plutselig da jeg koblet datamaskinen eller mobilenheten til VB1.	<p>Dette er vanlig. VB1 synkroniserer automatisk lydvolume til alle enheter som kobler til.</p>
Videobar VB1 står ikke som mikrofon, høytaler eller kamera i møteprogrammet mitt.	<p>Vent i ca. 30 sekunder, til datamaskinen registrerer VB1 som mikrofon, høytaler og kameraenhet.</p> <p>Hvis dette fortsatt ikke fungerer, prøv de følgende løsningene:</p> <ul style="list-style-type: none"> Sørg for at USB-kabelen er riktig tilkoblet datamaskinen din. Prøv å koble til en annen USB-port på datamaskinen din. Sørg for at VB1 er slått på (riktig tilkoblet strømuttaket). Sørg for at USB-kabelen er riktig tilkoblet USB-C-porten på panelet på baksiden av VB1. Prøv å bruke en kortere USB-kabel.


Problem	Løsning
Møteprogrammet mitt viser en melding om at videoen ikke fungerer, eller ikke kan starte.	Dette skyldes vanligvis at Videobar Configuration-appen eller en annen enhetlig kommunikasjonsklient allerede bruker og kontrollerer kameraet. Lukk den andre appen som bruker videoen.
Når jeg prøver å koble til VB1 med Videobar Configuration WebUI, viser nettleseren min et sikkerhetsvarsel.	Dette er normalt, siden VB1 ikke har et sikkerhetssertifikat basert på en dynamisk tilordnet IP-adresse. Se Videobar Configuration-app og WebUI (Side 24) for spesifikke instruksjoner. (Hvis du er usikker på å utføre en handling på datamaskinen din, i en nettleser osv., kan du forhøre deg med IT-/systemadministratoren din først.)
Den andre skjermen har ikke videobilde (fra HDMI Display -porten).	<p>Prøv de følgende løsningene:</p> <ul style="list-style-type: none"> Sørg for at skjermen er slått på. Sørg for at skjermen har sin inngang/kilde satt til HDMI-porten som er tilkoblet VB1. Sørg for at HDMI-kabelen er riktig tilkoblet VB1 og skjermen. Sørg for at datamaskinen din har den nyeste DisplayLink-driveren installert (displaylink.com/downloads). Sørg for at datamaskinen er satt til «extend» til en annen skjerm (i stedet for «mirror» eller «duplicate»). Sørg for at DisplayLink-innstillingen er aktivert i Videobar Configuration-programmet.
Datamaskinen min oppdager VB1 som en annen skjerm, selv om den ikke er tilkoblet HDMI Display -porten.	Sørg for at datamaskinen er satt til «mirror» eller «duplicate» for skjermen (i stedet for «extend» til en annen skjerm).
Videobildet på den andre skjermen (fra HDMI Display -porten) er usynkronisert med lydsignalet.	Reduser videooppløsningen i skjerminnstillingene på datamaskinen.
Videobildet på den andre skjermen (fra HDMI Display -porten) er forvrengt.	Sørg for at du bruker en medfølgende Bose Professional-kabel eller en sertifisert USB-kabel. Kontroller også at kabelen ikke er ødelagt eller har knekk.

Problem	Løsning
Kameraet zoomer inn eller ut, selv om jeg ikke justerer det manuelt.	Kameraets autoframing-funksjon kan være slått på. Trykk på Autoframe -knappen på fjernkontrollen for å slå den av. Noen møte-apper har innebygd autoframing, som kan føre til at bildet beskjæres eller at kameraets zoom forandres. Slå av denne funksjonen i møteprogrammet, hvis det er mulig.
<i>Bluetooth</i> -indikatoren blinker blått.	Dette er vanlig. Dette indikerer at VB1 er i <i>Bluetooth</i> -paremodus (<i>Bluetooth</i> -knappen på siden av VB1 eller på fjernkontrollen kan ha blitt trykket ved et uhell).
<i>Bluetooth</i> -indikatoren lyser kontinuerlig hvitt.	Dette er vanlig. Dette indikerer at VB1 er tilkoblet en <i>Bluetooth</i> -mobilenhet for musikk eller samtaler, eller til Videobar Mobile-appen.
Lysfeltet er på.	Hvis hele lysfeltet lyser, betyr det at det er et aktivt møte. Hvis bare et lite område av feltet lyser, er det ikke et aktivt møte. VB1 er bare slått på. Se Lysfelt (Side 31) for mer informasjon.
En liten seksjon av lysene midt på lysfeltet lyser grønt.	Dette er vanlig. Dette indikerer at VB1-kameraet er på. (Hvis de andre lysene på lysfeltet lyser kontinuerlig hvitt, er det et aktivt møte. Hvis de andre lysene på lysfeltet er av, er det ikke et aktivt møte.)

Należy przeczytać i zachować wszystkie zalecenia dotyczące bezpieczeństwa, zabezpieczeń i korzystania z tego produktu.

Ważne instrukcje dotyczące bezpieczeństwa

Więcej informacji na temat urządzenia Bose Professional Videobar VB1 (w tym akcesoriów i części zamiennych) podano na stronie boseprofessional.com/VB1. W tym celu możesz również skontaktować się z działem obsługi klienta firmy Bose Professional.

1. Należy przeczytać instrukcje.
2. Należy zachować instrukcje.
3. Należy stosować się do wszystkich ostrzeżeń.
4. Należy postępować zgodnie z instrukcjami.
5. Nie należy korzystać z tego urządzenia w pobliżu wody.
6. Urządzenie należy czyścić wyłącznie przy użyciu suchej ściereczki.
7. Nie wolno blokować otworów wentylacyjnych. Urządzenie należy zainstalować zgodnie z zaleceniami producenta.
8. Nie wolno instalować urządzenia w pobliżu źródeł ciepła, takich jak kaloryfery, przewody kominowe, piece lub inne urządzenia (na przykład wzmacniacze) wydzielające ciepło.
9. Należy chronić przewód zasilania przed uszkodzeniem lub deformacją, zwłaszcza wtyczki, gniazda i złącza zainstalowane w urządzeniach.
10. Należy korzystać wyłącznie z dodatków i akcesoriów określonych przez producenta.
11.  Należy używać wyłącznie wózka, stojaka, statywu, uchwyty lub wspornika określonego przez producenta albo dostarczonego z urządzeniem. Jeżeli używany jest wózek, należy zachować ostrożność podczas przenoszenia zestawu wózek/urządzenie, aby uniknąć zranienia w przypadku przechylenia urządzenia.
12. Urządzenie należy odłączyć od sieci zasilającej podczas burzy z wyładowaniami atmosferycznymi lub wówczas, gdy nie jest używane przez dłuższy czas.
13. Wykonanie wszystkich prac serwisowych należy zlecić wykwalifikowanemu personelowi. Naprawa w serwisie jest wymagana w przypadku jakiegokolwiek uszkodzenia urządzenia, np. uszkodzenia przewodu zasilającego lub wtyczki, dostania się do wnętrza urządzenia płynu lub przedmiotów, po narażeniu urządzenia na działanie deszczu lub wilgoci, gdy urządzenie nie działa normalnie lub jeśli zostało upuszczone.

OSTRZEŻENIA/PRZESTROGI



Ten symbol umieszczony na produkcie oznacza, że w obudowie produktu znajdują się niez izolowane podzespoły pod wysokim napięciem, które mogą stwarzać ryzyko porażenia prądem elektrycznym.



Ten symbol umieszczony na produkcie oznacza, że w podręczniku znajdują się ważne instrukcje dotyczące obsługi i konserwacji.



Produkt zawiera małe części mogące spowodować zadławienie się. Nie jest on odpowiedni dla dzieci w wieku poniżej 3 lat.



Produkt zawiera elementy magnetyczne. Aby dowiedzieć się, czy mogą one mieć wpływ na funkcjonowanie implantów medycznych, należy skonsultować się z lekarzem.



Urządzenia wolno używać tylko na wysokości poniżej 2000 metrów.

Wszystkie produkty Bose Professional muszą być instalowane zgodnie z przepisami lokalnymi, krajowymi, federalnymi i branżowymi. Instalator jest zobowiązany zainstalować głośniki i system montażowy zgodnie ze wszystkimi obowiązującymi regulaminami, w tym regulaminami i przepisami obowiązującymi w budynku. Przed instalacją produktu należy skonsultować się z odpowiednimi władzami.

Określając położenie produktu, upewnij się, że nie zasłania on żadnych otworów wentylacyjnych zewnętrznego wyświetlacza. Zapoznaj się z instrukcją obsługi używanego wyświetlacza i zainstaluj go zgodnie z zaleceniami producenta.

NIE WOLNO dokonywać modyfikacji produktu bez zezwolenia.

Przy wymianie baterii należy korzystać tylko z baterii alkalicznych AAA/LR03.

Baterie/akumulatory dostarczone z tym produktem mogą spowodować pożar lub oparzenie chemiczne w przypadku niewłaściwego obchodzenia się z nimi, nieprawidłowej wymiany lub wymiany na baterie/akumulator niewłaściwego typu. Nie wolno ładować, demontować, ogrzewać ani spalać baterii.

Baterie należy przechowywać w miejscu niedostępnym dla dzieci.

W przypadku wycieku z baterii nie wolno dopuścić do kontaktu płynu ze skórą lub oczami. Jeśli dojdzie do takiego kontaktu, należy zasięgnąć porady lekarza.

Należy chronić produkty z bateriami przed zbyt wysokimi temperaturami (np. nie wolno przechowywać ich w miejscu narażonym na bezpośrednie światło słoneczne, ogień itp.).

Do montażu należy używać tylko narzędzi dostarczonych z tym produktem.

Produkt jest przeznaczony do montażu tylko na następujących rodzajach powierzchni ściennych: płyta ścienna ≥ 10 mm (3/4 cala)

W przypadku montażu na powierzchni innej niż podano powyżej należy skontaktować się z wykwalifikowanym instalatorem.

Przewody połączeniowe dołączone do tego systemu, nie zostały zatwierdzone do montażu w ścianie. Właściwy typ przewodów i kabli wymaganych do instalacji w ścianach należy sprawdzić w lokalnych przepisach budowlanych.

Nie montować na powierzchniach niewystarczająco solidnych lub stwarzających zagrożenia związane na przykład z instalacją elektryczną lub hydrauliczną.

NIE WOLNO używać produktu w pojazdach ani na jednostkach pływających.

Ze względu na wymagania dotyczące wentylacji firma Bose Professional nie zaleca umieszczania tego produktu w przestrzeniach zamkniętych, takich jak wnęki ścienne lub szafki wnękowe.

Wspornika ani produktu nie wolno umieszczać w pobliżu źródeł ciepła, takich jak kominki, grzejniki, kaloryfery lub inne urządzenia wytwarzające ciepło (w tym wzmocniacze).

Produkt musi być umieszczony z dala od ognia i źródeł ciepła. **NIE WOLNO** umieszczać na urządzeniu lub w jego pobliżu źródeł otwartego ognia, np. zapalonych świec.

Aby ograniczyć ryzyko pożaru i porażenia prądem elektrycznym, należy chronić urządzenie przed deszczem, cieczami i wilgocią.

NIE WOLNO narażać urządzenia na działanie wody ani umieszczać na nim lub obok niego pojemników wypełnionych wodą, np. wazonów.

Niniejszy produkt nie jest przeznaczony do instalacji ani stosowania w pomieszczeniach mających stały kontakt z wodą (w tym m.in. basenach wewnętrznych, parkach wodnych, pomieszczeniach z jacuzzi, saunach, łaźniach parowych i lodowiskach).

Nie wolno montować produktu w pomieszczeniach, w których może występować skraplanie pary wodnej.

NIE WOLNO korzystać z produktu w połączeniu z falownikiem.

Produktu należy używać wyłącznie z dostarczonym zasilaczem.

Jeżeli urządzenie jest wyłączane przez wyjęcie wtyczki przewodu zasilającego lub przedłużacza z gniazda sieciowego, należy zapewnić możliwość swobodnego korzystania z tego elementu wyposażenia.

Informacje prawne

Wymiary (wys. × szer. × głęb.): 48 × 659 × 102 mm (1,9 × 27 × 4 cale)

Waga netto: 2,5 kg (5,6 lb)

Zasilanie: prąd stały 24 V $\overline{\text{---}}$ 1,875 A

To urządzenie powinno być zainstalowane i obsługiwane z zachowaniem odległości co najmniej 20 cm między elementem promieniującym a ciałem użytkownika.

W celu zachowania zgodności z przepisami należy używać wyłącznie ekranowanych przewodów.

CAN ICES-3 (B)/NMB-3(B)

Informacja o produktach generujących szum elektryczny (oświadczenie o zgodności z FCC dla Stanów Zjednoczonych)

UWAGA! Urządzenie to zostało przetestowane oraz potwierdzona została jego zgodność z wymaganiami dla urządzeń cyfrowych klasy B, wynikającymi z części 15 przepisów FCC. Wymagania te określono w celu zapewnienia ochrony przed szkodliwymi zakłóceniami działania instalacji w budynkach mieszkalnych. Urządzenie wytwarza oraz wykorzystuje energię promieniowania o częstotliwościach radiowych i może powodować zakłócenia komunikacji radiowej, jeżeli nie jest zainstalowane i użytkowane zgodnie z zaleceniami producenta. Co więcej, nie można zagwarantować, że działanie niektórych instalacji nie będzie zakłócone. Jeżeli urządzenie zakłóca odbiór radiowy lub telewizyjny, co można sprawdzić, wyłączając je i ponownie włączając, zakłócenia tego typu można eliminować, korzystając z jednej z następujących metod:

Zmiana ustawienia lub lokalizacji anteny odbiorczej.

Zwiększenie odległości pomiędzy urządzeniem a odbiornikiem.

Podłączenie urządzenia do gniazda sieciowego w innym obwodzie niż ten, do którego podłączony jest odbiornik.

Skonsultowanie się z dystrybutorem lub doświadczonym technikiem radiowo-telewizyjnym w celu uzyskania pomocy technicznej.

Zmiany lub modyfikacje, które nie zostały oficjalnie zatwierdzone przez firmę Bose Professional, mogą być przyczyną anulowania autoryzacji użytkownika do korzystania z tego wyposażenia.

To urządzenie jest zgodne z częścią 15. zasad komisji FCC i normami ISED Canada dotyczącymi sprzętu radiowego niewymagającego licencji.

Działanie jest uwarunkowane dwoma czynnikami: (1) Urządzenie nie może powodować żadnych szkodliwych zakłóceń oraz (2) musi zachować odporność na wpływ zakłóceń zewnętrznych, w tym zakłóceń, które mogą powodować wadliwe działanie.

Rozporządzenie dotyczące urządzeń radiowych małej mocy

Artykuł 12. Zgodnie z rozporządzeniem dotyczącym urządzeń radiowych małej mocy bez zgody udzielonej przez agencję NCC żadna firma, żadne przedsiębiorstwo ani żaden użytkownik nie ma prawa zmieniać częstotliwości, zwiększać mocy nadawczej ani modyfikować oryginalnych parametrów oraz sposobu działania zatwierdzonych urządzeń radiowych małej mocy.

Artykuł 14. Urządzenia radiowe małej mocy nie powinny wpływać na bezpieczeństwo lotnicze ani zakłócać komunikacji służbowej. W przypadku stwierdzenia zakłóceń użytkownik ma obowiązek natychmiast zaprzestać użytkowania urządzenia do momentu ustąpienia zakłóceń. Komunikacja służbowa oznacza komunikację radiową prowadzoną zgodnie z ustawą Prawo telekomunikacyjne.

Urządzenia radiowe małej mocy muszą ulegać zakłóceniom pochodzącym z komunikacji służbowej lub urządzeń promieniujących w radiowym paśmie ISM.



Bose Professional niniejszym deklaruje, że ten produkt jest zgodny z podstawowymi wymaganiami i zaleceniami określonymi w dyrektywie 2014/53/WE oraz innych obowiązujących dyrektywach UE. Pełna treść Deklaracji zgodności jest dostępna w witrynie: www.Bose.com/compliance.



Niniejszy produkt jest zgodny ze wszystkimi stosownymi przepisami dotyczącymi zgodności elektromagnetycznej z 2016 r. oraz wszystkimi innymi obowiązującymi przepisami brytyjskimi. Pełna treść Deklaracji zgodności jest dostępna w witrynie: www.Bose.com/compliance.

Firma Bose Professional niniejszym oświadcza, że opisywany produkt jest zgodny z zasadniczymi wymaganiami określonymi w przepisach dotyczących sprzętu radiowego z 2017 r. i we wszystkich obowiązujących w Wielkiej Brytanii przepisach. Pełna treść Deklaracji zgodności jest dostępna w witrynie: www.Bose.com/compliance.

W przypadku pracy w paśmie częstotliwości 5150–5250 MHz urządzenia wolno używać wyłącznie w pomieszczeniach, aby zmniejszyć potencjalne ryzyko zakłócenia systemów satelitarnej komunikacji ruchomej.

Europa:

Zakres częstotliwości pracy urządzenia to 2400–2483,5 MHz:

Łączność Bluetooth®/Wi-Fi: Maksymalna moc nadawcza: poniżej 20 dBm EIRP.

Bluetooth Low Energy: Maksymalna gęstość widmowa mocy: poniżej 10 dBm/MHz EIRP.

Zakresy częstotliwości pracy urządzenia wynoszą 5150–5350 MHz oraz 5470–5725 MHz:

Wi-Fi: Maksymalna moc nadawcza: poniżej 20 dBm EIRP.

Podczas pracy w zakresie częstotliwości 5150–5350 MHz urządzenie to jest przeznaczone wyłącznie do użytku w pomieszczeniach we wszystkich krajach członkowskich UE wyszczególnionych w tabeli.

	BE	DK	IE	UK (NI)	FR	CY	SK	HU	AT	SE	BG	DE	PT	EL
	HR	LV	LT	MT	PL	CZ	EE	FI	ES	IT	RO	LU	NL	SI



Ten symbol oznacza, że produktu nie należy wyrzucać razem z innymi odpadkami z gospodarstwa domowego. Produkt należy dostarczyć do odpowiedniego miejsca zbiórki w celu recyklingu. Właściwy sposób utylizacji i recyklingu pomaga chronić zasoby naturalne, ludzkie zdrowie i środowisko naturalne. Aby uzyskać więcej informacji na temat utylizacji i recyklingu tego produktu, skontaktuj się z samorządem lokalnym, w zakładzie utylizacji odpadów albo w sklepie, w którym produkt został nabyty.



Zużyte baterie należy usuwać w odpowiedni sposób, zgodnie z lokalnymi przepisami. Nie wolno wrzucać ich do ognia.



Tabela substancji szkodliwych (ograniczenia obowiązujące w Chinach)

Nazwy i zawartość toksycznych lub szkodliwych substancji albo pierwiastków						
Toksyczne lub szkodliwe substancje albo pierwiastki						
Nazwa części	Ołów (Pb)	Rtęć (Hg)	Kadm (Cd)	Chrom sześciowartościowy (Cr(VI))	Polibromowany bifenylny (PBB)	Polibromowany difenyloeter (PBDE)
Polichlorowane bifenylny (PCB)	X	0	0	0	0	0
Części metalowe	X	0	0	0	0	0
Części z tworzyw sztucznych	0	0	0	0	0	0
Głośniki	X	0	0	0	0	0
Przewody	X	0	0	0	0	0
Tę tabelę przygotowano zgodnie z wymaganiami normy SJ/T 11364.						
O: oznacza, że zawartość danej substancji toksycznej lub szkodliwej we wszystkich materiałach jednorodnych, użytych w tej części, nie przekracza limitu określonego w normie GB/T 26572.						
X: oznacza, że dana substancja toksyczna lub szkodliwa zawarta w co najmniej jednym z jednorodnych materiałów użytych w tej części przekracza limit określony w normie GB/T 26572.						

Tabela substancji szkodliwych (ograniczenia obowiązujące na Tajwanie)

Nazwa urządzenia: Bose Videobar VB1 Oznaczenie typu: 433869						
Substancje objęte ograniczeniami wraz z symbolami chemicznymi						
Jednostka	Ołów (Pb)	Rtęć (Hg)	Kadm (Cd)	Chrom sześciowartościowy (Cr+6)	Polibromowany bifenylny (PBB)	Polibromowany difenyloeter (PBDE)
Polichlorowane bifenylny (PCB)	–	○	○	○	○	○
Części metalowe	–	○	○	○	○	○
Części z tworzyw sztucznych	○	○	○	○	○	○
Głośniki	–	○	○	○	○	○
Przewody	–	○	○	○	○	○
Uwaga 1: symbol „○” oznacza, że zawartość procentowa substancji objętej ograniczeniem nie przekracza wartości referencyjnej.						
Uwaga 2: symbol „–” oznacza, że do substancji objętej ograniczeniem zastosowanie ma wyłączenie.						

Data produkcji: ósma cyfra numeru seryjnego oznacza rok produkcji, np. cyfra „3” oznacza rok 2013 lub 2023.

Importer – Chiny: Bose Electronics (Shanghai) Company Limited, Level 6, Tower D, No. 2337 Gudai Rd. Minhang District, Shanghai 201100

Importer – UE: Bose Products B.V., Gorslaan 60, 1441 RG Purmerend, Holandia

Importer – Meksyk: Bose de México, S. de R.L. de C.V., Paseo de las Palmas 405-204, Lomas de Chapultepec, 11000 México, D.F. Numer telefonu: +5255 (5202) 3545

Importer – Tajwan: Bose Taiwan Branch, 9F-A1, No.10, Section 3, Minsheng East Road, Taipei City 104, Tajwan. Numer telefonu: +886-2-2514 7676

Importer – Wielka Brytania: Bose Limited, Bose House, Quayside Chatham Maritime, Chatham, Kent, ME4 4QZ, Wielka Brytania

Bose Corporation, Framingham, MA 01701, U.S.A. 1-877-230-5639

Tabela dotycząca zasilania produktu

Zgodnie z wymaganiami dyrektywy 2009/125/WE, dotyczącej ekoprojektu dla produktów związanych z energią, produkt ten spełnia wymagania następujących norm i dokumentów: rozporządzenie (WE) nr 1275/2008 z późniejszymi zmianami wprowadzonymi przez rozporządzenie (UE) nr 801/2013.

Informacje dotyczące zasilania	Tryby zasilania	
	Tryb gotowości	Tryb gotowości sieciowej
Pobór mocy w określonym trybie zasilania przy 230 V / 50 Hz	≤0,5 W	Wi-Fi, Ethernet, <i>Bluetooth</i> ≤2 W
Czas, po którym urządzenie jest automatycznie przełączane do danego trybu	≤2,5 godz.	≤20 min
Pobór mocy w trybie gotowości sieciowej przy 230 V / 50 Hz, gdy wszystkie porty sieci przewodowej są zajęte i zostały aktywowane wszystkie porty sieci bezprzewodowej	≤2 W	≤2 W
Procedury aktywowania/dezaktywowania złącza sieciowego. Dezaktywacja wszystkich sieci powoduje przełączenie do trybu gotowości.	<p>Wi-Fi: dezaktywuj, przywracając domyślne ustawienia fabryczne. Naciśnij i przytrzymaj jednocześnie przyciski Start i Automatyczne kadrowanie na pilocie zdalnego sterowania przez 5 sekund lub naciśnij i przytrzymaj przez 5 sekund przyciski Wyciszenie i <i>Bluetooth</i> z boku urządzenia. Aktywuj za pomocą aplikacji Videobar Mobile.</p> <p>Połączenie Ethernet: aby dezaktywować połączenie, odłącz przewód Ethernet. W celu aktywacji podłącz przewód Ethernet.</p> <p>Bluetooth: dezaktywuj, przywracając domyślne ustawienia fabryczne. Naciśnij i przytrzymaj jednocześnie przyciski Start i Automatyczne kadrowanie na pilocie zdalnego sterowania przez 5 sekund lub naciśnij i przytrzymaj przez 5 sekund przyciski Wyciszenie i <i>Bluetooth</i> z boku urządzenia. W celu aktywacji trzeba sparować urządzenie ze źródłem <i>Bluetooth</i>.</p>	

Informacje techniczne dotyczące zewnętrznego zasilacza

Zgodnie z wymogami dyrektywy 2009/125/WE dotyczącej ekoprojektu dla produktów związanych z energią zewnętrzny zasilacz dostarczony z produktem spełnia wymagania następującej normy lub dokumentu: rozporządzenie Komisji (UE) 2019/1782.

Producent	Bose Products B.V.
Numer wpisu do rejestru handlowego	36037901
Adres	Gorslaan 60 1441 RG Purmerend Holandia
Identyfikator modelu	DT24V-1.8C-DC
Napięcie wejściowe	100–240 V
Częstotliwość wejściowa AC	50/60 Hz
Napięcie wyjściowe	24 V DC
Prąd wyjściowy	1,9 A
Moc wyjściowa	45 W
Średnia sprawność podczas pracy	89,9%
Sprawność przy niskim obciążeniu (10%)	87,0%
Pobór mocy bez obciążenia	0,07 W

Licencje i informacje prawne

Bose jest znakiem towarowym firmy Bose Corporation.

Videobar jest znakiem towarowym firmy Transom Post OpCo LLC.



DisplayLink® jest zastrzeżonym znakiem towarowym firmy DisplayLink Corp. w Unii Europejskiej, Stanach Zjednoczonych i innych krajach.



Nazwy HDMI i HDMI High-Definition Multimedia Interface oraz logo HDMI są znakami towarowymi lub zastrzeżonymi znakami towarowymi firmy HDMI Licensing Administrator, Inc.

Android i Google Play są znakami towarowymi Google LLC.

Znak słowny i logo *Bluetooth*® są zastrzeżonymi znakami towarowymi firmy Bluetooth SIG, Inc., używanymi przez firmę Bose Professional na mocy licencji.

macOS jest znakiem towarowym firmy Apple Inc.

USB Type-C® i USB-C® są zastrzeżonymi znakami towarowymi organizacji USB Implementers Forum oraz są przeznaczone wyłącznie do użytku z produktami zgodnymi oraz opartymi na specyfikacji kabla i złącza USB Type-C®.

Wi-Fi jest zastrzeżonym znakiem towarowym stowarzyszenia Wi-Fi Alliance®.

Inne znaki towarowe są własnością odpowiednich właścicieli.

Aby wyświetlić informacje o licencjach dotyczących pakietów oprogramowania innych firm, dołączonych do urządzenia Videobar VB1, wykonaj następujące czynności:

Videobar VB1: pobierz i otwórz aplikację mobilną **Videobar Mobile**, dotknij ikony **Settings** (Ustawienia), a następnie **End User License Agreement** (Umowa licencyjna użytkownika końcowego).

Aplikacja mobilna Videobar Mobile: dotknij ikony **Settings** (Ustawienia), a następnie **End User License Agreement** (Umowa licencyjna użytkownika końcowego).

Aplikacja Videobar Configuration lub WebUI: kliknij ikonę **Settings** (Ustawienia), a następnie **End User License Agreement** (Umowa licencyjna użytkownika końcowego).

Aplikacja Videobar Administration: kliknij menu (☰), później **About Videobar Administration** (Informacje o Videobar Administration), a następnie **End User License Agreement** (Umowa licencyjna użytkownika końcowego).

Zasady ochrony prywatności obowiązujące w firmie Bose Professional są dostępne na stronie boseprofessional.com.

©2023 Transom Post OpCo LLC. Żadnej części tego dzieła nie wolno reprodukować, modyfikować, rozpowszechniać ani w inny sposób wykorzystywać bez uprzedniego uzyskania pisemnego pozwolenia.

Prosimy wpisać i zachować następujące informacje.

Numer seryjny i numer modelu podano na panelu tylnym produktu.

Numer seryjny: _____

Numer modelu: _____

Informacje o gwarancji

Opisywany produkt objęty jest ograniczoną gwarancją.

Więcej informacji o gwarancji można znaleźć na stronie boseprofessional.com/warranty.

ZAWARTOŚĆ OPAKOWANIA

Spis treści.....	10
------------------	----

KONFIGURACJA

Ogólne wytyczne dotyczące montażu.....	12
Montaż urządzenia VB1 na stole, półce lub komodzie.....	13
Montaż naścienny urządzenia VB1	14
Zasłonka obiektywu kamery	19
Połączenia kablowe	20
Zarządzanie kablami.....	21

APLIKACJE

Aplikacja Videobar Configuration i WebUI.....	24
Aplikacja Videobar Administration.....	26
Aplikacja Videobar Mobile	26

INFORMACJE O PRODUKCIE

Panele.....	27
Panel przedni.....	27
Panel boczny	28
Panel tylny.....	29
Pilot zdalnego sterowania	30
Wskaźnik stanu.....	31

OBSŁUGA

Rozpoczęcie spotkania.....	34
Regulacja kamery	35
Resetowanie kamery	35
Regulacja kątów przesunięcia i pochylenia.....	35
Regulacja współczynnika powiększenia.....	36
Zapisywanie i wczytywanie Profilu ustawień.....	36
Włączanie/wyłączanie automatycznego kadrowania.....	37
Zarządzanie poziomami dźwięku.....	38
Lokalne odtwarzanie dźwięku	38
Dźwięk spotkania.....	38
Regulacja poziomu dźwięku.....	38
Zarządzanie urządzeniami Bluetooth.....	39
Parowanie urządzenia Bluetooth z urządzeniem VB1.....	39
Odłączanie urządzenia Bluetooth od VB1	39
Tryby niskiego poboru mocy	40

KONSERWACJA

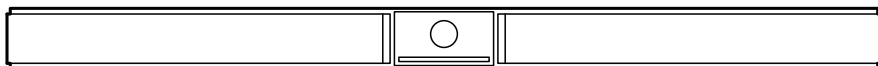
Czyszczenie urządzenia VB1.....	41
Części zamienne i akcesoria.....	41
Ograniczona gwarancja.....	41
Umieszczenie numeru seryjnego	41
Przywracanie domyślnych ustawień fabrycznych.....	42
Zapomniane hasło	42
Aktualizacja oprogramowania	42

ROZWIĄZYWANIE PROBLEMÓW

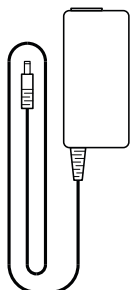
Najpierw wypróbuj te rozwiązania.....	43
---------------------------------------	----

ZAWARTOŚĆ OPAKOWANIA

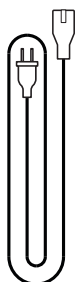
Spis treści



Videobar VB1



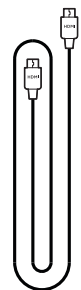
Zasilacz



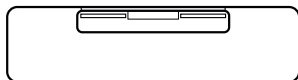
Przewód zasilania



Kabel USB Type-C®

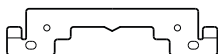


Kabel HDMI



Stojak stołowy

A  Wkręt do stojaka stołowego (2)



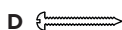
Wspornik do montażu ściennego



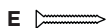
B Duży kołek do płyt kartonowo-gipsowych (4)



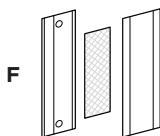
C Trzpień do rozpychania kołków



D Wkręt z łbem stożkowym ściętym (2)



E Wkręt z łbem płaskim (2)



F

G Mały kołek do płyt kartonowo-gipsowych (2)

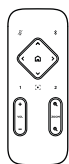
H Mały wkręt z łbem płaskim (2)



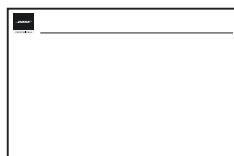
I

J Mały kołek do płyt kartonowo-gipsowych

K Mały wkręt z łbem płaskim



Pilot zdalnego sterowania



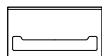
Przewodnik szybkiego startu



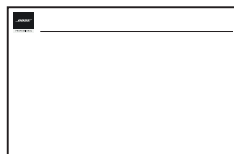
Baterie AAA/LR03 (2)



Instrukcja montażu na podstawie



Zasłonka obiektywu kamery



Instrukcja montażu na ścianie



Adapter USB-C do USB-A



2-stykowe złącze euroblock



Instrukcja bezpieczeństwa

KONFIGURACJA

Ogólne wytyczne dotyczące montażu

Podczas korzystania z urządzenia VB1 NIE wolno stawiać go na panelu przednim, tylnym ani górnym.

NIE wolno umieszczać żadnych przedmiotów na urządzeniu VB1.

Unikać umieszczania urządzenia VB1 w pobliżu otworów wentylacyjnych, grzejników, chłodziń, wentylatorów albo innych źródeł hałasu lub wibracji.

Aby zapobiec zakłócaniu łączności bezprzewodowej, inny sprzęt bezprzewodowy należy umieszczać w odległości **0,3-0,9 m** od urządzenia VB1. Urządzenia VB1 nie należy umieszczać wewnątrz ani w pobliżu metalowych szafek, innych elementów wyposażenia audio/wideo oraz bezpośrednich źródeł ciepła.

Należy sprawdzić, czy w pobliżu znajduje się gniazdo sieci elektrycznej.

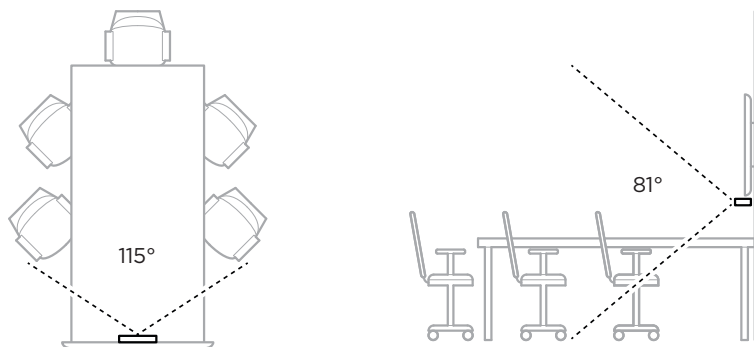
Urządzenie VB1 należy umieszczać bezpośrednio pod telewizorem (zalecane) lub nad nim, tak aby osłona była skierowana w stronę pomieszczenia.

Aby uzyskać najwyższą jakość dźwięku, urządzenia VB1 NIE należy umieszczać w szafce ani ukośnie w narożniku.

Należy upewnić się, że miejsca siedzące wszystkich uczestników spotkania są w polu widzenia kamery (FOV). Aby funkcja automatycznego kadrowania działała prawidłowo, wszyscy uczestnicy spotkania muszą znajdować się w polu widzenia kamery (patrz **Włączanie/wyłączanie automatycznego kadrowania (Strona 37)**).

FOV kamery VB1 wynosi 115° w poziomie i 81° w pionie.

Należy upewnić się, że sala konferencyjna jest dobrze oświetlona na czas spotkania.

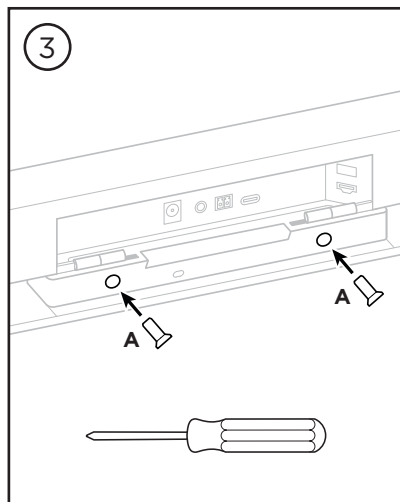
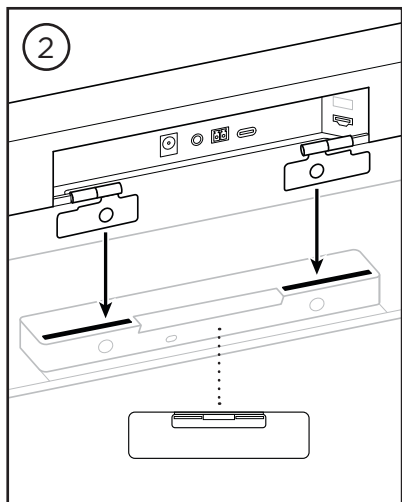
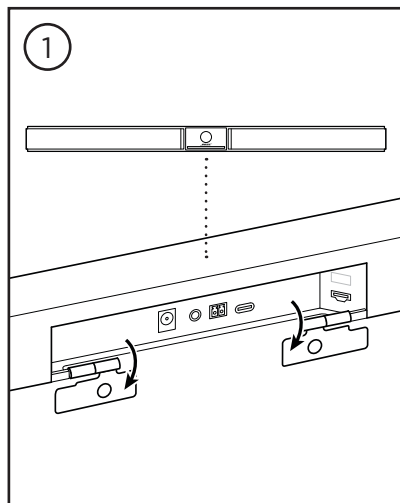
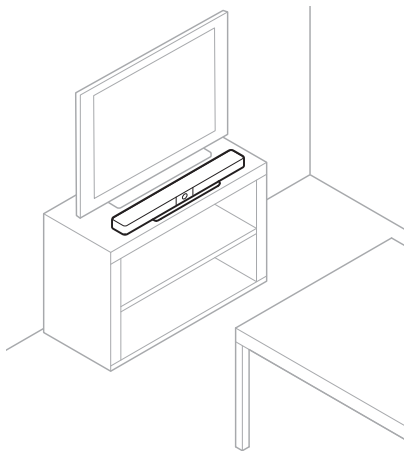


Montaż urządzenia VB1 na stole, półce lub komodzie

W celu uzyskania najlepszej jakości dźwięku i obrazu podczas montażu urządzenia VB1 na stole, półce, komodzie itp. należy przestrzegać następujących zaleceń:

Urządzenie VB1 ze stojakiem stołowym należy ustawić na stabilnej i równej powierzchni.

Przód VB1 należy ustawić tak, aby powierzchnia, na której stoi urządzenie, nie była widoczna w kadrze kamery. Należy upewnić się, że sala konferencyjna jest dobrze oświetlona na czas spotkania.



Montaż naścienny urządzenia VB1

Aby uzyskać najlepszą jakość dźwięku i obrazu, podczas montażu naściennego urządzenia VB1 należy przestrzegać następujących zaleceń:

Podczas wyboru miejsca mocowania wspornika do montażu ściennego należy upewnić się, że wokół wspornika jest wystarczająco dużo miejsca na instalację urządzenia VB1:

Nad wspornikiem do montażu ściennego należy zachować co najmniej **3,8 cm (1,5 cala)** odstępu. Umożliwi to „zawieszenie” na nim urządzenia VB1 (krok 7) i wyregulowanie jego pozycji. Zapewni to również wygodny dostęp do złączy na panelu tylnym urządzenia VB1.

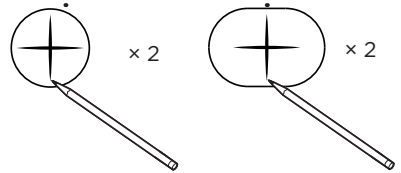
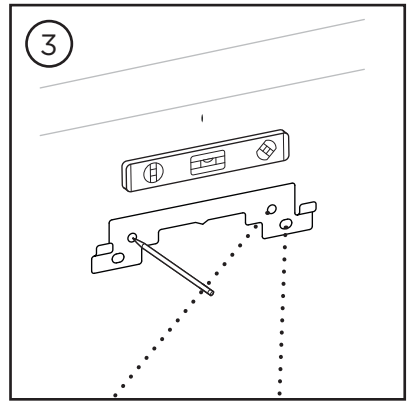
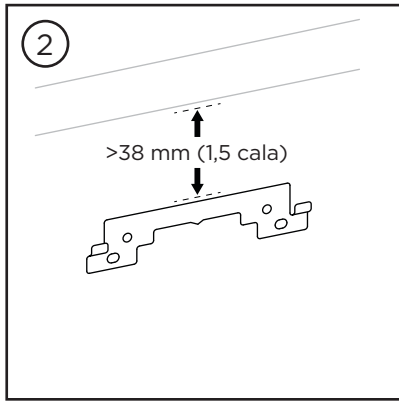
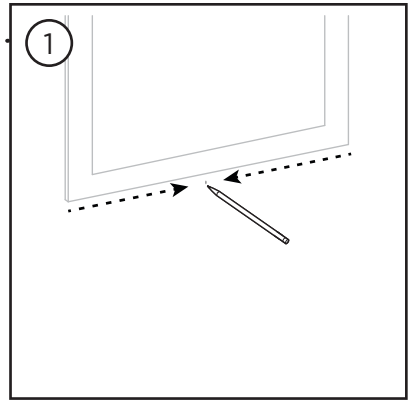
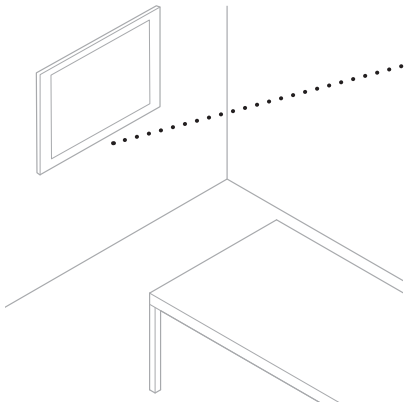
Pod wspornikiem do montażu ściennego należy zachować co najmniej **11,4 cm (4,5 cala)** wolnej przestrzeni. Pozwoli to zawiesić urządzenie VB1 pionowo podczas montażu w celu podłączenia kabli i wyregulowania jego pozycji.

Przestrzeń montażowa musi mieć co najmniej **73,7 cm (29 cala)** szerokości – ze wspornikiem do montażu ściennego pośrodku. Jest to konieczne do pomieszczenia urządzenia VB1 i zapewnienia dostępu do portu akustycznego i przycisków po bokach (należy zachować **2,5 cm (1 cal)** odstępu z każdej strony).

Do montażu należy używać tylko sprzętu dostarczonego z tym produktem.

Uwaga! Wymagane są dodatkowe narzędzia.

Uwaga! Przed przystąpieniem do pracy należy zapoznać się z Ważnymi zaleceniami dotyczącymi bezpieczeństwa.



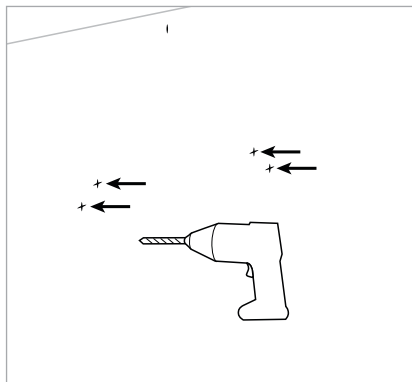
4

OSTRZEŻENIA!



Nie montować na powierzchniach niewystarczająco solidnych lub stwarzających zagrożenia związane na przykład z instalacją elektryczną lub hydrauliczną. W razie wątpliwości należy skontaktować się z wykwalifikowanym instalatorem.

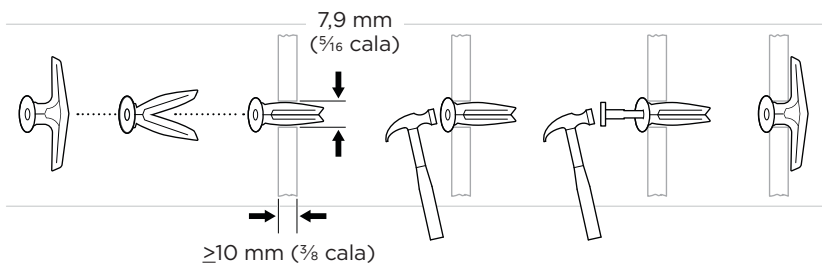
Zestaw montażowy nie jest przeznaczony do stosowania z powierzchniami murowanymi.



Płyta ścienna
7,9 mm ($\frac{5}{16}$ cala)

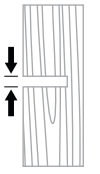
Ściana szkieletowa (stelaż drewniany lub metalowy)
4,8 mm ($\frac{3}{16}$ cala)

Płyta ścienna



Ściana szkieletowa (stelaż drewniany)

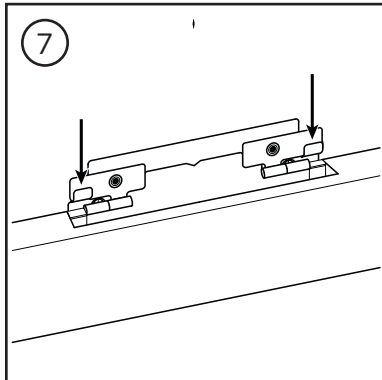
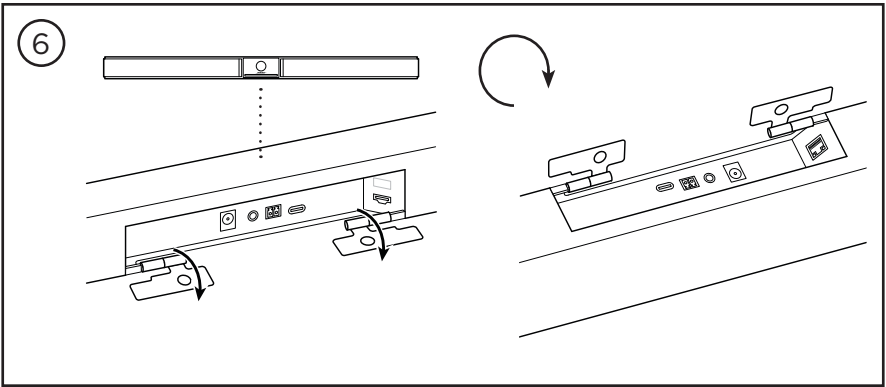
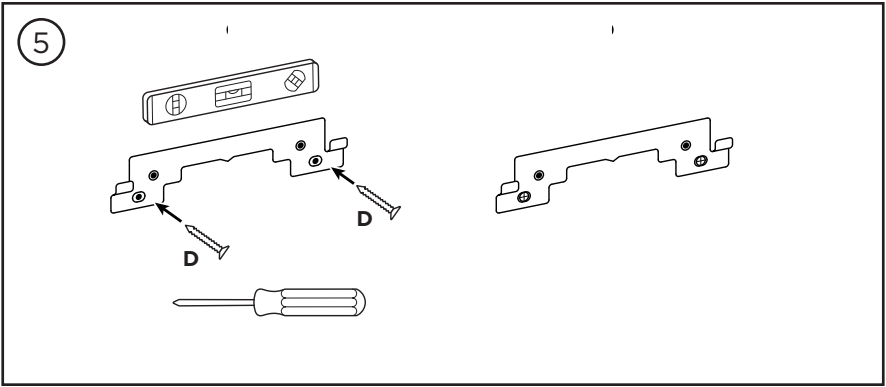
4,8 mm
($\frac{3}{16}$ cala)

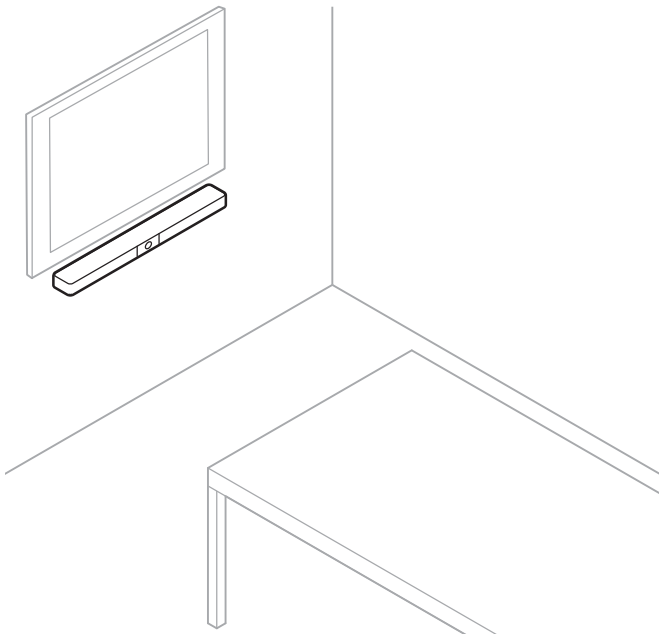
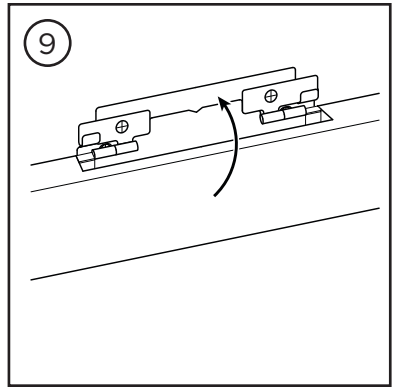
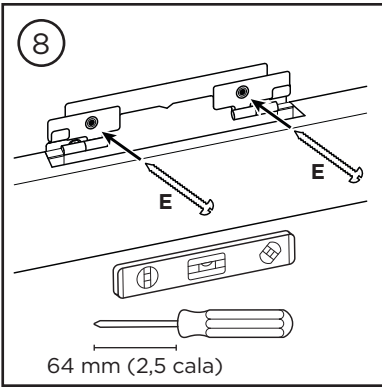


Ściana szkieletowa (stelaż metalowy)

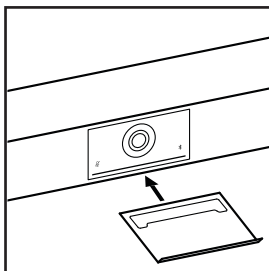
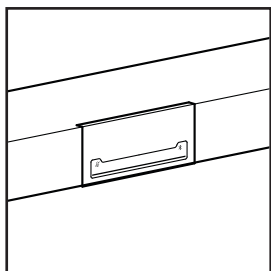
4,8 mm
($\frac{3}{16}$ cala)







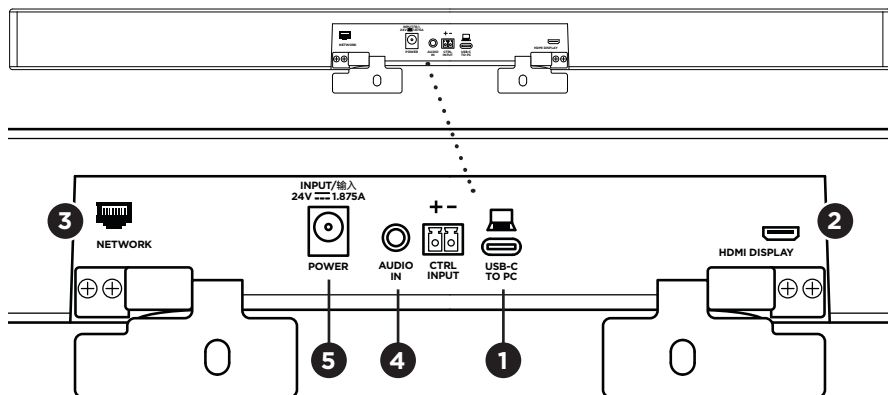
Zasłonka obiektywu kamery



Dołączona do zestawu zasłonka obiektywu kamery pozwala całkowicie zakryć pole widzenia kamery bez zasłaniania wskaźników i wskaźnika stanu.

Zasłonka jest magnetyczna i pozostanie na miejscu po zamontowaniu na obiektywie urządzenia VB1, jak pokazano na rysunku. Gdy zasłonka nie jest używana, można przymocować ją do powierzchni pod obiektywem.

Połączenia kablowe



1. Podłącz dołączony do zestawu kabel USB-C® do portu **USB-C**.

Drugi koniec kabla pozostaw na stole, aby osoba prowadząca spotkanie mogła łatwo podłączyć lub odłączyć swój komputer podczas każdej konferencji.

Uwaga! Jeśli komputer, z którego prowadzone jest spotkanie, wyposażony jest tylko w porty USB-A, dołączony do zestawu adapter USB-C do USB-A należy podłączyć do kabla USB-C.

2. **Opcjonalnie:** za pomocą dołączonego kabla HDMI połącz port **HDMI Display** z portem HDMI wyświetlacza lub monitora.

Uwaga! Aby wyjście HDMI działało, komputer, z którego prowadzone jest spotkanie, musi mieć zainstalowany najnowszy sterownik DisplayLink®, a urządzenie VB1 musi mieć włączone ustawienie DisplayLink (domyślnie wyłączone). Odwiedź stronę displaylink.com/downloads, aby pobrać najnowszy sterownik. Ustawienie DisplayLink można włączać lub wyłączać za pomocą aplikacji Videobar Configuration, WebUI lub aplikacji Videobar Administration (patrz **Aplikacje (Strona 23)**).

3. **Opcjonalnie:** jeśli urządzenie VB1 będzie łączyć się z siecią, użyj kabla Cat 5 (brak w zestawie) w celu połączenia portu **Network** z portem LAN, przełącznikiem sieciowym itp.

4. **Opcjonalnie:** aby uzyskać dodatkowy dźwięk z analogowego wyjścia audio na wyświetlaczu, podłącz kabel stereofoniczny 3,5 mm (1/8 cala) (nieodłączony do zestawu) do gniazda **Audio In**.

Konfiguracja wyprowadzenia pinów:

1. Nasadka = lewe wejście audio
2. Pierścień = prawe wejście audio
3. Tuleja / pierścień 2 = masa



5. Podłącz zasilacz do wejścia **Power**.

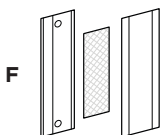
6. Podłącz zasilacz do gniazdka elektrycznego za pomocą dołączonego kabla zasilającego. Po podłączeniu do źródła zasilania urządzenie VB1 włączy się automatycznie.

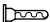
Dostępnych jest kilka aplikacji, które pozwalają skonfigurować Videobar VB1 w celu uzyskania optymalnej jakości dźwięku i obrazu. Aby uzyskać więcej informacji, przejdź do sekcji **Aplikacje (Strona 23)**.

Jeśli konieczne jest użycie przedłużacza USB, odwiedź stronę boseprofessional.com/VB1, aby uzyskać listę zalecanych przedłużaczy USB innych producentów do użytku z urządzeniem VB1.

Zarządzanie kablami

Dołączona osłona na kable pozwala utrzymać wszystkie kable na miejscu przy ścianie.




G  Mały kołek do płyt kartonowo-gipsowych (2)

H  Mały wkręt z łbem płaskim (2)

Montaż osłony na kable:

- Umieść i przytrzymaj tylną część osłony (**F**) (element z otworami na wkręty) w żądanym miejscu na ścianie.
- Zaznacz na ścianie środek dwóch otworów na wkręty i zdejmij tylną część osłony na kable.
- Jeśli za tą częścią ściany jest stelaż, wywierć w ścianie dwa otwory o średnicy **2,4 mm (3/32 cala)**.
Jeśli za tą częścią ściany nie ma stelaża, wywierć w ścianie dwa otwory o średnicy **5 mm (3/16 cala)**.
- Jeśli za tą częścią ściany nie ma stelaża, wbij do ściany dwa małe kołki do płyt kartonowo-gipsowych (**G**).
- Wyrównaj tylną część osłony na kable (**F**) z otworami na wkręty.
- Wkręć dwa małe wkręty z łbem płaskim (**H**) do tylnej części osłony na kable, aby przymocować ją do ściany.
- Ściągnij kable i ułóż je wzdłuż „przewodnicy” z tyłu osłony na kable (na ścianie).
- Zdejmij taśmę z pianki na osłonie na kable (**F**).
- Mocno przyklej piankowy pasek do tylnej części osłony na kable, obok ściągniętych kabli.
- Umieść przednią część osłony na kable (**F**) na ściągniętych kablach i piance, aby przylegała.



J  Mały kołek do płyt kartonowo-gipsowych

K  Mały wkręt z łbem płaskim

Mocowanie przewodu zasilacza do ściany:

1. Określ miejsce przymocowania przewodu zasilacza do ściany.
2. Zaznacz na ścianie otwór na wkręt.
3. Jeśli za tą częścią ściany jest stelaż, wywierć w ścianie otwór o średnicy **2,4 mm** ($\frac{3}{32}$ cala).
Jeśli za tą częścią ściany nie ma stelaża, wywierć w ścianie otwór o średnicy **5 mm** ($\frac{3}{16}$ cala).
4. Jeśli za tą częścią ściany nie ma stelaża, wbij do ściany mały kołek do płyt kartonowo-gipsowych (**J**).
5. Wyrównaj oczko opaski kablowej (**I**) z otworem na wkręt.
6. Wkręć mały wkręt z łbem płaskim (**K**) do oczka opaski kablowej, aby przymocować ją do ściany.

APLIKACJE

Trzy aplikacje umożliwiają konfigurację urządzenia Videobar VB1.

Użyj oprogramowania Videobar Configuration — dostępnego dla systemów Windows i macOS lub za pośrednictwem przeglądarki internetowej — do ustawienia i konfiguracji urządzenia.

Cechy:

Sterowanie kamerą: przesuwanie, pochylenie, powiększanie, profile ustawień i automatyczne kadrowanie

Zabezpieczony hasłem panel administracyjny i konfiguracyjny

Instalowanie aktualizacji oprogramowania układowego, tworzenie i stosowanie profili konfiguracji, włączanie lub wyłączenie wyjścia HDMI (DisplayLink), dostosowywanie ustawień sieci, *Bluetooth*, zaawansowane ustawienia kamery i nie tylko

Powiadomienia o dostępności aktualizacji oprogramowania Videobar

Aplikacja dostępna dla systemów Windows i macOS lub przez przeglądarkę internetową, która zapewnia wszystkie funkcje oprogramowania komputerowego za pośrednictwem połączenia sieciowego

Oprogramowanie Videobar Administration umożliwia zdalne zarządzanie jednym urządzeniem lub wieloma urządzeniami w firmie oraz przeglądanie stanu urządzeń w czasie rzeczywistym.

Cechy:

Podgląd stanu urządzenia i kontrolowanie najważniejszych funkcji wszystkich urządzeń Bose Professional Videobar z jednego miejsca

Planowanie aktualizacji oprogramowania układowego wszystkich lub tylko wybranych urządzeń

Wyświetlanie, edytowanie i zapisywanie parametrów według urządzenia lub grupy urządzeń

Wykrywanie wszystkich urządzeń w sieci; tworzenie, zapisywanie i stosowanie profili urządzeń

Aplikacja dostępna dla systemów Windows

Aplikacja mobilna Videobar Mobile umożliwia dowolnej osobie w pomieszczeniu sterowanie urządzeniem Videobar VB1 za pomocą smartfona. W skład dostępnych funkcji wchodzi: regulacja głośności, wyciszanie, przesuwanie, pochylenie, przybliżanie, profile ustawień przybliżania oraz parowanie przez *Bluetooth*.

Cechy:

Regulacja głośności, wyciszanie, przesuwanie, pochylenie, przybliżanie, profile ustawień przybliżania oraz parowanie przez *Bluetooth* z poziomu urządzenia przenośnego

Wykorzystuje parowanie *Bluetooth* do wykrywania i komunikowania się z urządzeniem Videobar VB1

Aplikacja dostępna na iOS i Androida

Aplikacja Videobar Configuration i WebUI

Pobranie i instalacja aplikacji Videobar Configuration na komputerze:

1. Z poziomu komputera odwiedź stronę **boseprofessional.com/VB1**.
2. Pobierz i zainstaluj aplikację **Videobar Configuration**.

Uzyskanie dostępu do aplikacji Videobar Configuration i użycie jej do konfiguracji urządzenia VB1:

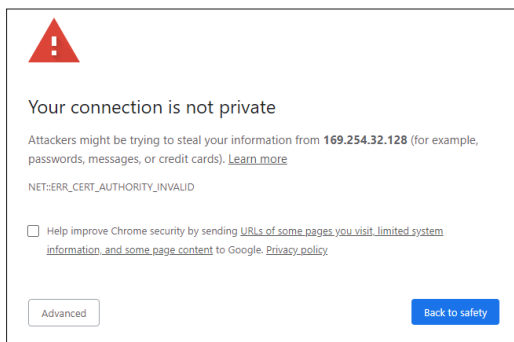
1. Podłącz komputer do portu **USB-C** urządzenia VB1.
2. Otwórz aplikację **Videobar Configuration**.
3. Aby uzyskać dostęp do ustawień konfiguracyjnych administratora w celu skonfigurowania urządzenia VB1, kliknij ikonę **Administrator** w panelu nawigacyjnym i wprowadź domyślne hasło fabryczne: **Bose123!**

Uwaga! Zalecamy zmianę hasła po uzyskaniu dostępu.

Uzyskanie dostępu do opartego na przeglądarce WebUI aplikacji Videobar Configuration i korzystanie z niego w celu skonfigurowania urządzenia VB1 za pośrednictwem połączenia sieciowego:

1. Podłącz komputer i urządzenie VB1 do tej samej sieci.
2. Wprowadź adres IP urządzenia VB1 w pasku adresu przeglądarki internetowej na komputerze i naciśnij klawisz **Enter**. (Adres IP urządzenia VB1 można określić za pomocą aplikacji Videobar Configuration przez USB lub za pomocą aplikacji Videobar Administration, która automatycznie wykrywa urządzenia VB1 w sieci). Otworzy się interfejs WebUI aplikacji Videobar Configuration.

Uwaga! W niektórych przeglądarkach może wyskoczyć następujące ostrzeżenie dotyczące bezpieczeństwa:



Jest to normalne i nie stanowi zagrożenia dla bezpieczeństwa. Kliknij przycisk **Advanced** (Zaawansowane). (W przypadku braku pewności co do wykonania danej operacji na komputerze, w przeglądarce internetowej itp. należy najpierw skontaktować się z administratorem sieci informatycznej / systemu).

Może pojawić się następujący komunikat:

This server could not prove that it is **169.254.32.128**; its security certificate is not trusted by your computer's operating system. This may be caused by a misconfiguration or an attacker intercepting your connection.

[Proceed to 169.254.32.128 \(unsafe\)](#)

Jest to również normalne. Kliknij łącze **Proceed to...** (Przejdź do...), aby przejść do strony logowania WebUI aplikacji Videobar Configuration.

Domyślne hasło administratora to: **Bose123!**

Uwaga! Zalecamy zmianę hasła po uzyskaniu dostępu.

Aby uzyskać dostęp do pliku pomocy dla aplikacji Videobar Configuration lub WebUI, odwiedź stronę **Settings** (Ustawienia) w aplikacji lub WebUI.

Aplikacja Videobar Administration

Pobranie oprogramowania Videobar Administration:

1. Z poziomu komputera odwiedź stronę **boseprofessional.com/VB1**.
2. Pobierz i zainstaluj aplikację **Videobar Administration**.

Uzyskanie dostępu i użycie aplikacji Videobar Administration do skonfigurowania co najmniej jednego urządzenia VB1 za pośrednictwem połączenia sieciowego:

1. Podłącz komputer i każde urządzenie VB1 do tej samej sieci.
2. Otwórz aplikację **Videobar Administration**.

Aby uzyskać dostęp do pliku pomocy dla aplikacji Videobar Administration, odwiedź stronę **About Videobar Administration** (Informacje o Videobar Administration) w aplikacji.

Aplikacja Videobar Mobile

Aplikacja Videobar Mobile umożliwia wygodne korzystanie z funkcji pilota zdalnego sterowania na podczerwień na urządzeniu mobilnym. Pobieranie aplikacji Videobar Mobile:

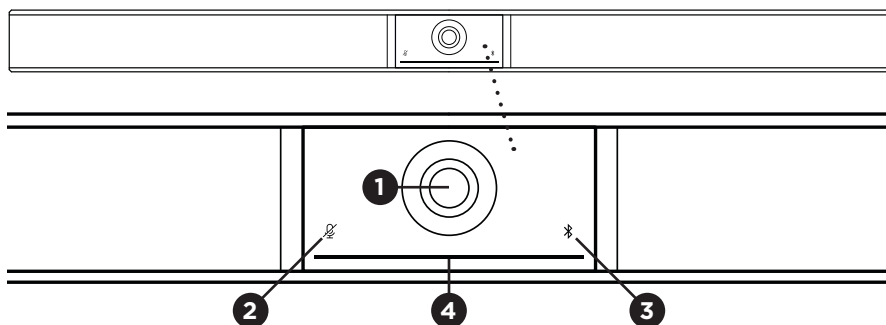
1. Wyszukaj i pobierz aplikację **Videobar Mobile** ze sklepu App StoreSM lub Google PlayTM.
2. Otwórz aplikację na urządzeniu mobilnym i włącz śledzenie lokalizacji.
3. Na urządzeniu przenośnym połącz się z **Videobar VB1**.

Aby uzyskać dostęp do pliku pomocy dla aplikacji Videobar Mobile, odwiedź zakładkę **Settings** (Ustawienia) w aplikacji.

INFORMACJE O PRODUKCIE

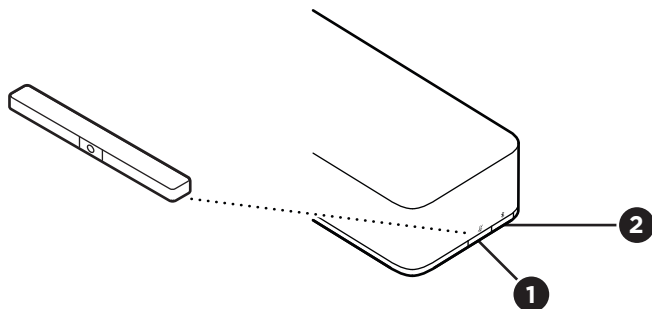
Panele

Panel przedni



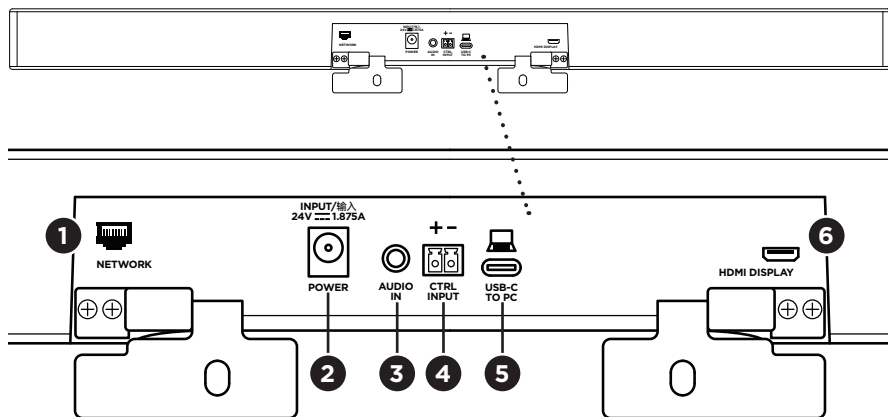
1. **Kamera**
2. **Wskaźnik wyciszenia:** ta kontrolka świeci na czerwono, gdy mikrofony są wyłączone.
3. **Wskaźnik *Bluetooth*:** ta kontrolka wskazuje aktualny stan łączności *Bluetooth* urządzenia VB1.
 - Powoli miga na niebiesko:** urządzenie VB1 można sparować z urządzeniem przenośnym *Bluetooth*.
 - Świeci na biało:** urządzenie VB1 jest połączone z aplikacją Videobar Mobile lub z urządzeniem przenośnym w celu realizacji połączeń i obsługi multimediów.
 - Wyłączony:** brak łączności *Bluetooth*.
4. **Wskaźnik stanu:** więcej informacji znajduje się w sekcji **Wskaźnik stanu (Strona 31)**.

Panel boczny



1. **Przycisk wyciszania:** naciśnij ten przycisk, aby wyciszyć mikrofony lub anulować wyciszenie mikrofonów urządzenia VB1.
2. **Przycisk *Bluetooth*:** naciśnij i przytrzymaj ten przycisk, aby przejść do trybu parowania.

Panel tylny



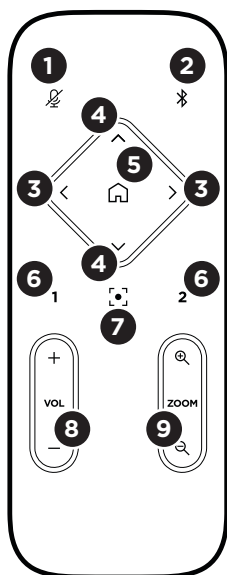
- 1. Network:** użyj tego złącza RJ45 1 Gb/s do konfiguracji i/lub monitorowania. (Ten port umieszczono po wewnętrznej stronie panelu tylnego).
- 2. Power:** podłącz tutaj dołączony zasilacz.
- 3. Audio In:** za pomocą kabla stereofonicznego 3,5 mm (1/2 cala) (brak w zestawie) połącz się z opcjonalnym źródłem dźwięku, takim jak wyjście audio z podłączonego monitora lub wyświetlacza.
- 4. Ctrl Input:** użyj portu do obejścia wyciszenia za pomocą dołączonego 2-stykowego złącza euroblock. Domyślnie to wejście jest aktywne w stanie niskim i zawiera wewnętrzny rezystor podciągający.
- 5. USB-C:** połącz ten port z komputerem, z którego prowadzone jest spotkanie.
- 6. HDMI Display:** połącz ten port z wyświetlaczem za pomocą dołączonego kabla HDMI. (Ten port umieszczono po wewnętrznej stronie panelu tylnego).

Uwaga! Aby wyjście HDMI działało, komputer, z którego prowadzone jest spotkanie, musi mieć zainstalowany najnowszy sterownik DisplayLink®, a urządzenie VB1 musi mieć włączone ustawienie DisplayLink (domyślnie wyłączone). Odwiedź stronę displaylink.com/downloads, aby pobrać najnowszy sterownik. Ustawienie DisplayLink można włączać lub wyłączać za pomocą aplikacji Videobar Configuration, WebUI lub aplikacji Videobar Administration (patrz **Aplikacje (Strona 23)**).

Pilot zdalnego sterowania

Urządzenie Videobar VB1 jest wyposażone w pilot zdalnego sterowania na podczerwień, który umożliwia regulację ustawień kamery i głośności, wyciszenie mikrofonów oraz przełączenie urządzenia VB1 w tryb parowania **Bluetooth**.

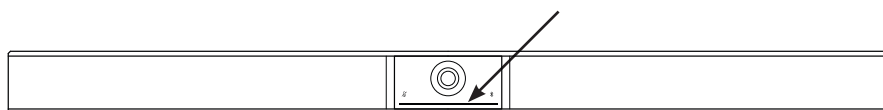
Uwaga! Wszystkie funkcje zdalnego sterowania są również dostępne w aplikacjach, które umożliwiają konfigurację urządzenia Videobar VB1. Aby uzyskać więcej informacji, przejdź do sekcji **Aplikacje (Strona 23)**.









1. **Wyciszenie:** wycisza / anuluje wyciszenie mikrofonów urządzenia VB1.
2. **Bluetooth:** naciśnij i przytrzymaj przez 3 sekundy, aby przejść w tryb parowania. Jeśli przeprowadzono już parowanie z urządzeniem, naciśnij i przytrzymaj przycisk, aby się rozłączyć.
3. **Przesuwanie kamery:** naciśnij, aby przesunąć kamerę w lewo i w prawo (< lub >) albo naciśnij i przytrzymaj dany przycisk, aby uzyskać ciągłą regulację.
4. **Pochylenie kamery:** naciśnij, aby pochylić kamerę w górę i w dół (▲ lub ▼) albo naciśnij i przytrzymaj, aby uzyskać ciągłą regulację.
5. **Domyślny profil ustawień / przycisk Start:** przywróć ustawienia kamery (przesunięcie, pochylenie i przybliżenie) do pozycji domyślnej. Pozycję domyślną można zmienić w aplikacji Videobar Configuration.
6. **Profile ustawień 1 i 2:** naciśnij, aby wybrać Profil ustawień 1 lub 2 kamery. Naciśnij i przytrzymaj, aby zapisać bieżące ustawienia kamery (przesunięcie, pochylenie i przybliżenie) jako Profil ustawień 1 lub 2.
7. **Automatyczne kadrowanie:** włącz/wyłącz automatyczne kadrowanie. Gdy opcja jest włączona, ustawienia kamery (przesunięcie, pochylenie i przybliżenie) będą automatycznie dostosowywane tak, aby wszyscy uczestnicy przez cały czas pozostawali w polu widzenia kamery.
8. **Głośność:** zwiększaj lub zmniejszaj poziom głośności (+ lub -).
9. **Powiększenie:** zwiększ lub zmniejsz (+ lub -) współczynnik powiększenia obrazu z kamery.




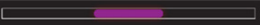
Wskaźnik stanu

Wskaźnik stanu umieszczony jest pod kamerą urządzenia VB1.



Wygląd	Czynność	Stan systemu
	Niewielka część kontrolki pośrodku wskaźnika stanu świeci na biało.	Włączone zasilanie i „stan aktywny”.
	Wszystkie kontrolki świecą na biało.	Spotkanie jest aktywne. Kamera jest wyłączona.
	Środkowa kontrolka świeci na zielono, a otaczające kontrolki świecą na biało.	Spotkanie jest aktywne. Kamera jest włączona, a funkcja automatycznego kadrowania wyłączona.
	Niewielka część kontrolki pośrodku wskaźnika stanu świeci na zielono, a otaczające kontrolki świecą na biało.	Spotkanie jest aktywne. Kamera i funkcja automatycznego kadrowania są włączone.
	Niewielka część kontrolki pośrodku wskaźnika stanu świeci na zielono, a otaczające kontrolki są wyłączone.	Kamera jest włączona. Brak aktywnego spotkania.
	Skrajnie lewa kontrolka wskaźnika stanu miga raz (na biało / włączona, jeśli nie ma aktywnego połączenia; wyłączona, jeśli jest aktywne połączenie).	Głośność została zmniejszona o jeden stopień.
	Skrajnie prawa kontrolka wskaźnika stanu miga raz (na biało / włączona, jeśli nie ma aktywnego połączenia; wyłączona, jeśli jest aktywne połączenie).	Głośność została zwiększona o jeden stopień.

Wygląd	Czynność	Stan systemu
	Niewielka część kontroltek na skrajnym lewym końcu wskaźnika stanu miga raz (na biało / włączona, jeśli nie ma aktywnego połączenia; wyłączona, jeśli jest aktywne połączenie).	Głośność została ustawiona na najniższym poziomie.
	Niewielka część kontroltek na skrajnym prawym końcu wskaźnika stanu miga raz (na biało / włączona, jeśli nie ma aktywnego połączenia; wyłączona, jeśli jest aktywne połączenie).	Głośność została ustawiona na najwyższym poziomie.
	Niewielka część kontroltek pośrodku wskaźnika stanu szybko miga na biało.	Urządzenie VB1 szuka sieci Wi-Fi.
	Niewielka część kontroltek pośrodku wskaźnika stanu jednokrotnie miga na biało, a następnie gaśnie.	Urządzenie VB1 nawiązało połączenie z siecią Wi-Fi. Oznacza to również, że urządzenie VB1 wykryło nowe źródło dźwięku podłączone do portu USB lub Audio In urządzenia, z którego prowadzone jest spotkanie.
	Niewielka część kontroltek pośrodku wskaźnika stanu świeci na czerwono.	Urządzenie VB1 nie działa prawidłowo z powodu problemu z oprogramowaniem (układowym). Skontaktuj się z pomocą techniczną firmy Bose Professional.
	Niewielka część kontroltek pośrodku wskaźnika stanu miga na pomarańczowo.	Urządzenie VB1 nie działa prawidłowo z powodu problemu z połączeniem. Upewnij się, że urządzenie VB1 jest podłączone do sieci.

Wygląd	Czynność	Stan systemu
	<p>Białe kontrolki przesuwają się wielokrotnie między prawym a lewym końcem.</p>	<p>Urządzenie VB1 pobiera i instaluje aktualizację oprogramowania układowego. Nie odłączaj urządzenia VB1 od gniazda zasilania ani sieci. Po zakończeniu aktualizacji wskaźnik stanu przestanie się poruszać, a urządzenie VB1 odtworzy sygnał dźwiękowy.</p>
	<p>Niewielka część kontrolki pośrodku wskaźnika stanu wielokrotnie miga na biało.</p> <p>Następnie kontrolki przesuwają się od środka w stronę krawędzi aż cały wskaźnik stanu zaczyna świecić na biało. Kontrolki wyłączają się w ten sam sposób.</p>	<p>Urządzenie VB1 uruchamia się ponownie po przywróceniu domyślnych ustawień fabrycznych.</p>
	<p>Niewielka część kontrolki pośrodku wskaźnika stanu wielokrotnie miga na biało.</p>	<p>Urządzenie VB1 uruchamia się ponownie po przywróceniu zasilania.</p>
	<p>Niewielka część kontrolki pośrodku wskaźnika stanu wielokrotnie pulsuje na fioletowo.</p>	<p>Aplikacja Videobar Administration wysyła komunikat „Identyfikuj urządzenie” do VB1.</p>

OBSŁUGA

Rozpoczęcie spotkania

Uwaga! Aby wyjście HDMI działało, komputer, z którego prowadzone jest spotkanie, musi mieć zainstalowany najnowszy sterownik DisplayLink®, a urządzenie VB1 musi mieć włączone ustawienie DisplayLink (domyślnie wyłączone). Odwiedź stronę displaylink.com/downloads, aby pobrać najnowszy sterownik. Ustawienie DisplayLink można włączać lub wyłączać za pomocą aplikacji Videobar Configuration, WebUI lub aplikacji Videobar Administration (patrz **Aplikacje (Strona 23)**).

Rozpoczynanie spotkania za pomocą urządzenia VB1:

1. Podłącz dołączony do zestawu kabel USB do urządzenia VB1 i komputera. W razie potrzeby użyj dołączonego adaptera USB-C do USB-A.
2. Rozpocznij spotkanie w preferowanym oprogramowaniu do spotkań.
3. W ustawieniach oprogramowania do spotkań wybierz **Videobar VB1** jako urządzenie obsługujące mikrofon, głośniki i kamerę.

Wykonanie połączenia przy użyciu urządzenia VB1 jako zestawu głośnomówiącego:

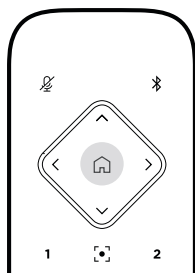
1. Naciśnij przycisk **Bluetooth** z boku urządzenia VB1 (lub naciśnij i przytrzymaj przez 3 sekundy przycisk *Bluetooth* na pilocie zdalnego sterowania), aby przełączyć urządzenie VB1 w tryb parowania.
2. Na swoim urządzeniu mobilnym wyszukaj dostępne urządzenia *Bluetooth* i wybierz VB1.
3. Zadzwoń z urządzenia przenośnego. Dźwięk zostanie automatycznie przekierowany z urządzenia przenośnego do głośników i mikrofonów VB1.

Regulacja kamery

Uwaga! Wszystkie funkcje zdalnego sterowania są również dostępne w aplikacjach, które umożliwiają konfigurację urządzenia Videobar VB1. Aby uzyskać więcej informacji, przejdź do sekcji **Aplikacje (Strona 23)**.

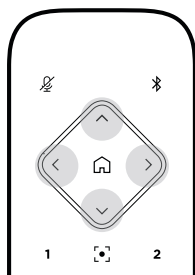
Porada! Aby szybko i łatwo dostosować ustawienia kamery, zalecamy korzystanie z aplikacji Videobar Mobile na urządzeniu przenośnym. Patrz sekcja **Aplikacja Videobar Mobile (Strona 26)**.

Resetowanie kamery



Aby przywrócić domyślne ustawienia przesunięcia, pochylenia i przybliżenia kamery, naciśnij przycisk **Start** na pilocie zdalnego sterowania.

Regulacja kątów przesunięcia i pochylenia



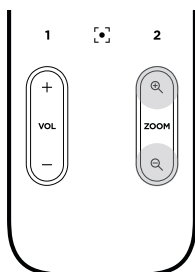
Uwaga! Kąty przesunięcia i pochylenia można regulować tylko wtedy, gdy obraz z kamery nie jest w pełni oddalony.

Aby wyregulować kąty przesunięcia (lewo-prawo) kamery, naciśnij jeden z przycisków przesunięcia kamery (< lub >) na pilocie zdalnego sterowania.

Aby wyregulować kąty pochylenia (górną-dół) kamery, naciśnij jeden z przycisków pochylenia kamery (▲ lub ▼) na pilocie zdalnego sterowania.

Naciśnij przycisk raz, aby stopniowo regulować ustawienia kamery lub naciśnij i przytrzymaj go, aby uzyskać ciągłą regulację.

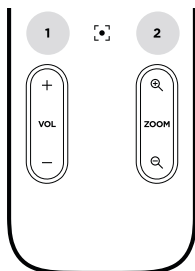
Regulacja współczynnika powiększenia



Aby dostosować współczynnik powiększenia kamery, naciśnij jeden z przycisków **Powiększenia (+ lub -)** na pilocie zdalnego sterowania.

Naciśnij przycisk raz, aby stopniowo regulować ustawienia kamery lub naciśnij i przytrzymaj go, aby uzyskać ciągłą regulację.

Zapisywanie i wczytywanie Profilu ustawień



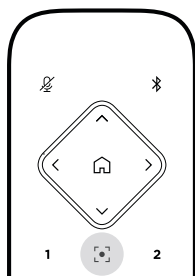
Ustawienia przesunięcia, pochylenia i powiększenia kamery można zapisać jako **Profil ustawień 1** lub **Profil ustawień 2**. Po przywołaniu zapisanego profilu kamera natychmiast wczyta zapisane ustawienia przesunięcia, pochylenia i powiększenia.

Zapisywanie profilu ustawień:

1. Dostosuj odpowiednio ustawienia przesunięcia, pochylenia i powiększenia.
2. Naciśnij i przytrzymaj przez 3 sekundy przycisk wybranego profilu (**Profil ustawień 1** lub **Profil ustawień 2**) na pilocie zdalnego sterowania. Ustawienia kamery zostaną zapisane w wybranym profilu.

Aby wczytać zapisany profil, naciśnij przycisk wybranego profilu (**Profil ustawień 1** lub **Profil ustawień 2**) na pilocie zdalnego sterowania. Kamera natychmiast zmieni ustawienia przesunięcia, pochylenia i powiększenia do zapisanych wartości w ramach tego profilu.

Włączanie/wyłączanie automatycznego kadrowania



Aby włączyć lub wyłączyć funkcję automatycznego kadrowania kamery, naciśnij przycisk **Automatyczne kadrowanie** na pilocie zdalnego sterowania.

Gdy opcja jest włączona, kamera będzie automatycznie i stale dostosowywać przesunięcie, pochylenie i przybliżenie tak, aby wszyscy obecni w pokoju uczestnicy zawsze byli w kadrze.

Uwaga! Zmiana ustawień przesunięcia, pochylenia lub powiększenia albo wybór opcji **Start**, **Profil ustawień 1** lub **Profil ustawień 2** automatycznie spowoduje wyłączenie funkcji automatycznego kadrowania.

Gdy funkcja jest wyłączona, należy ręcznie dostosować ustawienia przesunięcia, pochylenia i przybliżenia kamery.

Zarządzanie poziomami dźwięku

Urządzenie Videobar VB1 wyposażone jest w cztery wejścia audio: mikrofony, audio USB, audio *Bluetooth* i wejście analogowe (gniazdo **Audio In**).

Urządzenie VB1 wyposażone jest również w trzy wyjścia audio: głośniki, audio USB i audio *Bluetooth*.

Poziomy wszystkich tych sygnałów w czasie rzeczywistym, z wyjątkiem gniazda **Audio In**, można przeglądać na karcie **Meters** (Wskaźniki) w aplikacji Videobar Configuration / WebUI.

Lokalne odtwarzanie dźwięku

Muzyka lub dźwięk przesyłane do urządzenia za pośrednictwem wejść USB, *Bluetooth* lub analogowych są odtwarzane przez głośniki urządzenia VB1. Dźwięk ten nie jest przesyłany dalej podczas spotkań.

Dźwięk spotkania

Dźwięk z mikrofonu urządzenia VB1 jest przesyłany dalej (przez wyjście USB) po zastosowaniu funkcji redukcji echa akustycznego (ang. Acoustic Echo Cancellation, AEC).

Jeżeli do urządzenia VB1 prześlemy dźwięk za pomocą wejścia USB, to usłyszymy go w głośnikach, lecz funkcja AEC zadba o to, by nie został on przechwycony przez mikrofony urządzenia i przesłany dalej.

Jeśli chcesz udostępnić zapisane lokalnie ścieżki dźwiękowe innym, zdalnym uczestnikom spotkania, zrób to w oprogramowaniu do spotkań.

Regulacja poziomu dźwięku

Urządzenie VB1 jest wyposażone w dwa regulatory głośności: dla głośników VB1 i dla wzmocnienia wejścia analogowego (**Audio In**).

Aby wyregulować poziom dźwięku głośników urządzenia VB1, użyj przycisków **Głośność +** lub **-** na pilocie zdalnego sterowania, wyreguluj głośność komputera, z którego prowadzone jest spotkanie, lub dostosuj głośność audio *Bluetooth*. Te trzy poziomy głośności są zawsze zsynchronizowane, więc regulacja jednego z nich spowoduje zmianę pozostałych wartości.

Uwaga! Wszystkie funkcje zdalnego sterowania są również dostępne w aplikacjach, które umożliwiają konfigurację urządzenia Videobar VB1. Aby uzyskać więcej informacji, przejdź do sekcji **Aplikacje (Strona 23)**.

W razie potrzeby dostosuj opcję **Analog Input Gain**, aby wyważyć sygnał przesyłany do gniazda **Audio In**, tak aby odpowiadał on nominalnym poziomom sygnału z komputera, z którego prowadzone jest spotkanie, i audio *Bluetooth*. Możesz to zrobić z poziomu aplikacji Videobar Configuration, WebUI lub aplikacji Videobar Administration (patrz **Aplikacje (Strona 23)**).

Zarządzanie urządzeniami *Bluetooth*

Urządzenie VB1 może być sparowane w danym momencie tylko z jednym urządzeniem *Bluetooth*. Przykładowo nie można go sparować z jednym urządzeniem za pomocą aplikacji Videobar Mobile i z innym urządzeniem do połączeń lub odtwarzania dźwięku.

Parowanie urządzenia *Bluetooth* z urządzeniem VB1

Aplikacja Videobar Mobile łączy Twoje urządzenie *Bluetooth* z urządzeniem VB1 przy użyciu technologii *Bluetooth* Low Energy (BLE). Aplikacja automatycznie wykryje urządzenia VB1 w pobliżu.

Aby sparować urządzenie *Bluetooth* z VB1 za pomocą aplikacji Videobar Mobile, otwórz aplikację i wybierz żądane urządzenie VB1. Wskaźnik *Bluetooth* na panelu przednim urządzenia VB1 będzie świecić na biało po nawiązaniu połączenia. (Aby uzyskać więcej informacji, patrz **Aplikacja Videobar Mobile (Strona 26)**).

Parowanie urządzenia *Bluetooth* w celu nawiązywania połączeń głosowych lub odtwarzania dźwięku:

1. Naciśnij przycisk ***Bluetooth*** z boku urządzenia VB1 (lub naciśnij i przytrzymaj przez 3 sekundy przycisk *Bluetooth* na pilocie zdalnego sterowania), aby przełączyć urządzenie VB1 w tryb parowania. Wskaźnik *Bluetooth* na panelu przednim urządzenia VB1 zacznie migać na niebiesko.
2. Na swoim urządzeniu *Bluetooth* wyszukaj wszystkie dostępne urządzenia *Bluetooth* i wybierz urządzenie VB1. Wskaźnik *Bluetooth* na panelu przednim urządzenia VB1 będzie świecić na biało po nawiązaniu połączenia.

Odłączanie urządzenia *Bluetooth* od VB1

Urządzenie VB1 nie połączy się automatycznie z wcześniej sparowanym urządzeniem *Bluetooth*. Po utracie połączenia *Bluetooth* (z powodu odległości, celowego rozłączenia, sparowania innego urządzenia itp.) konieczne będzie ponowne przeprowadzenie procedury parowania.

Aby odłączyć urządzenie *Bluetooth* od urządzenia VB1, wykonaj jedną z następujących czynności:

Wyłącz łączność *Bluetooth* na urządzeniu przenośnym.

Naciśnij przycisk ***Bluetooth*** z boku urządzenia VB1.

Naciśnij i przytrzymaj przez 3 sekundy przycisk ***Bluetooth*** na pilocie zdalnego sterowania.

Tryby niskiego poboru mocy

W niektórych krajach przepisy dotyczące energii wymagają, aby produkty takie jak VB1 przechodziły w tryb niskiego poboru mocy, gdy nie są używane. Ma to na celu oszczędzanie energii. Funkcję tę można wyłączyć (lub ponownie włączyć) na urządzeniu VB1 za pomocą aplikacji Videobar Configuration, WebUI lub aplikacji Videobar Administration (patrz **Aplikacje (Strona 23)**).

Tryb niskiego poboru mocy w urządzeniu VB1 jest w rzeczywistości dwuetapowym trybem: trybem **czuwania** i trybem **czuwania o niskim poborze mocy**.

Jeśli tryb niskiego poboru mocy jest włączony, po 18 minutach bezczynności urządzenie VB1 przejdzie w tryb czuwania. Po kolejnych 2 godzinach bezczynności przejdzie w tryb czuwania o niskim poborze mocy. W obu trybach wskaźnik stanu z przodu urządzenia VB1 będzie wyłączony.

Jeśli tryb niskiego poboru mocy jest wyłączony, oba te tryby są również wyłączone.

Niektóre działania lub polecenia mogą uniemożliwić VB1 przejście w tryb czuwania, „wybudzić” urządzenie VB1 z trybu czuwania (przywrócenie normalnego działania) lub „wybudzić” urządzenie VB1 z trybu czuwania o niskim poborze mocy (przywrócenie normalnego działania).

Działanie lub polecenie		Uniemożliwia przejście urządzenia VB1 w tryb czuwania.	„Wybudza” VB1 z trybu czuwania.	„Wybudza” VB1 z trybu czuwania o niskim poborze mocy.
Naciśnięcie przycisku	Przycisk Wyciszenie lub Bluetooth z boku urządzenia VB1	✓	✓	✓
	Dowolny przycisk na pilocie zdalnego sterowania	✓	✓	✓
USB	Podłączenie urządzenia do portu USB-C		✓	✓
	Komunikaty z aplikacji Videobar Configuration lub WebUI	✓		
	Odtwarzanie dźwięku	✓	✓	
Bluetooth	Aktywne połączenie	✓	✓	
	Odtwarzanie dźwięku	✓	✓	
Wi-Fi lub Ethernet	Komunikaty z aplikacji Videobar Configuration lub WebUI	✓	✓	
	Komunikaty z aplikacji Videobar Administration	✓	✓	
HDMI Display	Komputer podłączony do portu HDMI Display z włączonym ustawieniem DisplayLink	✓	✓	
Audio In	Odtwarzanie dźwięku	✓	✓	

KONSERWACJA

Czyszczenie urządzenia VB1

Urządzenie VB1 może wymagać okresowego czyszczenia.

Przecieraj elementy zewnętrzne miękką, suchą ściereczką.

NIE należy dopuścić do przedostania się wilgoci do wnętrza osłony ani jakichkolwiek połączeń kablowych/przewodowych.

Części zamienne i akcesoria

Części zamienne i akcesoria można zamówić w Dziale Obsługi Klientów firmy Bose Professional. Odwiedź stronę boseprofessional.com.

Ograniczona gwarancja

Urządzenie Videobar VB1 jest objęte ograniczoną gwarancją. Więcej informacji na temat ograniczonej gwarancji znajdziesz na stronie boseprofessional.com/warranty.

Umieszczenie numeru seryjnego

Numer seryjny i numer modelu podano na panelu tylnym produktu.

Numer seryjny znajdziesz również w aplikacji Videobar Configuration, WebUI lub aplikacji Videobar Administration (patrz **Aplikacje (Strona 23)**).

Przywracanie domyślnych ustawień fabrycznych

Przywrócenie domyślnych ustawień fabrycznych spowoduje:

Wyczyszczenie listy urządzeń *Bluetooth* sparowanych z urządzeniem VB1.

Skasowanie profili ustawień kamery (Profil ustawień 1 i Profil ustawień 2).

Przywrócenie wszystkich ustawień kamery, mikrofonu i głośników do wartości domyślnych. (Wiele z tych ustawień można konfigurować w oprogramowaniu Videobar Configuration lub Videobar Administration).

Zresetowanie hasła administratora do **Bose123!**

Uwaga! Zalecamy zmianę hasła po jego zresetowaniu.

Aby przywrócić wszystkie ustawienia urządzenia VB1 do domyślnych wartości fabrycznych, wykonaj jedną z następujących czynności:

Na pilocie zdalnego sterowania naciśnij i przytrzymaj jednocześnie przyciski **Start** i **Automatyczne kadrowanie** przez 5 sekund.

Z boku urządzenia VB1 naciśnij i przytrzymaj jednocześnie przyciski **Wyciszenie** i **Bluetooth** przez 5 sekund.

Niewielka część kontrolki pośrodku wskaźnika stanu będzie wielokrotnie pulsować na biało. Następnie kontrolki będą przesuwac się od środka na zewnątrz, aż cały wskaźnik stanu będzie świecić na biało. Kontrolki wyłączają się w ten sam sposób. Po zakończeniu tego procesu urządzenie VB1 uruchomi się ponownie z domyślnymi ustawieniami fabrycznymi.

Zapomniane hasło

Jeśli nie pamiętasz hasła dostępu do ustawień konfiguracyjnych administratora, musisz przywrócić domyślne ustawienia fabryczne, aby zresetować hasło (patrz **Przywracanie domyślnych ustawień fabrycznych (Strona 42)**).

Uwaga! Zalecamy zmianę hasła po jego zresetowaniu.

Aktualizacja oprogramowania

Do sprawdzania dostępności i instalowania aktualizacji oprogramowania układowego dla urządzenia VB1 możesz użyć aplikacji Videobar Configuration i Videobar Administration. Więcej informacji na temat pobierania i uzyskiwania dostępu do tych aplikacji, znajduje się w sekcji **Aplikacje (Strona 23)**.

Jeśli do konfigurowania urządzenia VB1 używasz **WebUI Videobar Configuration**, możesz nie być w stanie automatycznie sprawdzić lub zaktualizować oprogramowania układowego za pośrednictwem internetowego serwera, chyba że komputer jest również podłączony do Internetu.

Jeśli nie możesz uzyskać dostępu do aktualizacji oprogramowania układowego podczas korzystania z interfejsu WebUI, wykonaj zamiast tego jedną z następujących czynności:

Użyj aplikacji **Videobar Configuration**.

Użyj aplikacji **Videobar Administration**.

Pobierz plik oprogramowania układowego bezpośrednio na komputer, a następnie użyj **WebUI Videobar Configuration**, aby zaktualizować oprogramowanie układowe tak, jakby to była jego poprzednia wersja.

ROZWIĄZYWANIE PROBLEMÓW

Najpierw wypróbuj te rozwiązania.

Jeśli masz problemy z VB1, najpierw wypróbuj następujące rozwiązania:

Upewnij się, że urządzenie VB1 jest podłączone do zasilania.

Upewnij się, że wszystkie kable podłączone do panelu tylnego są prawidłowo podpięte. Patrz sekcja **Połączenia kablowe (Strona 20)**.

Sprawdź wskaźnik stanu. Patrz sekcja **Panel przedni (Strona 27)**.

Upewnij się, że Twoje urządzenie mobilne obsługuje połączenia *Bluetooth*.

Sprawdź dostępność aktualizacji oprogramowania dla urządzenia VB1. Patrz sekcja **Aktualizacja oprogramowania (Strona 42)**.

Umieść urządzenie *Bluetooth* bliżej VB1 oraz z dala od wszelkich źródeł zakłóceń i przeszkód.

Dostosuj głośność w urządzeniu VB1, komputerze, urządzeniu *Bluetooth* lub innych źródłach dźwięku. Patrz sekcja **Zarządzanie poziomami dźwięku (Strona 38)**.

Jeżeli nie można rozwiązać problemu, należy skorzystać z poniższej tabeli zawierającej informacje dotyczące symptomów typowych problemów i możliwych sposobów ich rozwiązania. Jeżeli nie można rozwiązać problemu, należy skontaktować się z Działem Obsługi Klientów firmy Bose Professional. Odwiedź stronę **boseprofessional.com**.

Problem	Rozwiązanie
Słyszę muzykę, ale mój komputer nie jest podłączony.	Sprawdź, czy wskaźnik <i>Bluetooth</i> świeci na biało. Jeśli tak, może to oznaczać, że czyjeś urządzenie <i>Bluetooth</i> jest już sparowane z VB1. Naciśnij przycisk Bluetooth z boku urządzenia VB1, aby je rozłączyć.
Dźwięk jest zbyt cichy lub w ogóle go nie słychać.	Głośność może być zbyt niska. Zwiększ głośność za pomocą: pilota zdalnego sterowania VB1, urządzenia przenośnego <i>Bluetooth</i> (jeśli jest używane), oprogramowania do spotkań (głośność głośnika). Jeśli nadal nie słychać dźwięku, upewnij się, że urządzenie Videobar VB1 jest wybrane jako głośnik w oprogramowaniu do spotkań.
Dźwięk jest zniekształcony.	Głośność może być zbyt wysoka. Zmniejsz głośność za pomocą: pilota zdalnego sterowania VB1, urządzenia przenośnego <i>Bluetooth</i> (jeśli jest używane), oprogramowania do spotkań (głośność głośnika).

Problem	Rozwiązanie
Regulacja głośności na komputerze nie ma wpływu na głośność urządzenia VB1.	<p>Na komputerze urządzenie VB1 może nie być wybrane jako domyślne urządzenie do odtwarzania dźwięku (nawet jeśli oprogramowanie do spotkań działa prawidłowo z urządzeniem VB1).</p> <p>Windows: kliknij ikonę głośnika w zasobniku systemowym (na pasku zadań) i wybierz Videobar VB1 jako urządzenie odtwarzające.</p> <p>macOS: kliknij ikonę Apple w lewym górnym rogu ekranu, wybierz opcję Preferencje systemowe, kliknij Dźwięk, a następnie Wyjście. Wybierz Videobar VB1 z listy urządzeń.</p>
Poziom głośności mojego komputera lub urządzenia mobilnego zmienił się nagle po podłączeniu komputera lub urządzenia przenośnego do VB1.	Jest to całkowicie normalne. Urządzenie VB1 automatycznie synchronizuje poziom głośności wszystkich urządzeń po ich podłączeniu.
Videobar VB1 nie jest wymieniony jako mikrofon, głośnik ani kamera w moim oprogramowaniu do spotkań.	<p>Poczekaj około 30 sekund, aż komputer zarejestruje urządzenie VB1 jako mikrofon, głośnik i kamerę.</p> <p>Jeśli problem nadal występuje, spróbuj wykonać następujące czynności:</p> <ul style="list-style-type: none"> Sprawdź, czy kabel USB jest prawidłowo podłączony do komputera. Spróbuj podłączyć urządzenie do innego portu USB komputera. Upewnij się, że urządzenie VB1 jest włączone (prawidłowo podłączone do gniazda zasilania). Upewnij się, że kabel USB jest prawidłowo podłączony do portu USB-C na panelu tylnym urządzenia VB1. Spróbuj użyć krótszego kabla USB.
Oprogramowanie do spotkań wyświetla komunikat, że funkcja wideo nie działa lub nie można jej uruchomić.	Jest to zwykle spowodowane tym, że aplikacja Videobar Configuration lub inny klient ujednoliconej komunikacji korzysta z kamery lub ją kontroluje. Zamknij drugą aplikację, która korzysta z funkcji wideo.
Kiedy próbuję połączyć się z urządzeniem VB1 za pomocą WebUI Videobar Configuration, moja przeglądarka wyświetla ostrzeżenie dotyczące bezpieczeństwa.	Jest to normalne, ponieważ urządzenie VB1 nie dostarcza certyfikatu bezpieczeństwa opartego na dynamicznie przydzielanym adresie IP. Szczegółowe instrukcje znajdują się w sekcji Aplikacja Videobar Configuration i WebUI (Strona 24) . (W przypadku braku pewności co do wykonania danej operacji na komputerze, w przeglądarce internetowej itp. należy najpierw skontaktować się z administratorem sieci informatycznej / systemu).


Problem	Rozwiązanie
Brak obrazu wideo na drugim wyświetlaczu (z portu HDMI Display).	<p>Wykonaj następujące czynności:</p> <p>Upewnij się, że wyświetlacz jest włączony.</p> <p>Upewnij się, że wejście/źródło wyświetlacza jest ustawione na port HDMI, który jest podłączony do urządzenia VBI.</p> <p>Upewnij się, że kabel HDMI jest prawidłowo podłączony do urządzenia VBI i wyświetlacza.</p> <p>Upewnij się, że na komputerze zainstalowany jest najnowszy sterownik DisplayLink (displaylink.com/downloads).</p> <p>Upewnij się, że komputer ma włączoną funkcję rozszerzania obrazu na drugi wyświetlacz (zamiast opcji odbicia lustrzanego lub duplikowania).</p> <p>Upewnij się, że ustawienie DisplayLink jest włączone w oprogramowaniu Videobar Configuration.</p>
Mój komputer wykrywa urządzenie VBI jako drugi wyświetlacz, nawet jeśli nie jest podłączone do portu HDMI Display .	Upewnij się, że komputer ma włączoną funkcję odbicia lustrzanego obrazu lub jego duplikowania (zamiast opcji rozszerzania obrazu na drugi wyświetlacz).
Obraz wideo na drugim wyświetlaczu (z portu HDMI Display) nie jest zsynchronizowany z sygnałem audio.	Zmniejsz rozdzielczość wyświetlacza w ustawieniach wyświetlania na komputerze.
Obraz na drugim wyświetlaczu (z portu HDMI Display) jest zniekształcony.	Upewnij się, że używasz kabla dostarczonego przez firmę Bose Professional lub certyfikowanego kabla USB. Upewnij się również, że kabel nie jest uszkodzony ani zagięty.
Kamera powiększa lub pomniejsza obraz nawet wtedy, gdy nie reguluję go ręcznie.	<p>Funkcja automatycznego kadrowania może być włączona. Naciśnij przycisk Automatyczne kadrowanie na pilocie zdalnego sterowania, aby ją wyłączyć.</p> <p>Niektóre aplikacje do spotkań mają wbudowaną funkcję automatycznego kadrowania, która może powodować przycinanie obrazu lub zmianę współczynnika powiększenia kamery. Jeśli to możliwe, wyłącz tę funkcję w oprogramowaniu do spotkań.</p>
Wskaźnik <i>Bluetooth</i> miga na niebiesko.	Jest to całkowicie normalne. Oznacza to, że urządzenie VBI jest w trybie parowania <i>Bluetooth</i> (przycisk <i>Bluetooth</i> z boku urządzenia VBI lub na pilocie zdalnego sterowania mógł zostać przypadkowo naciśnięty).
Wskaźnik <i>Bluetooth</i> świeci białym światłem.	Jest to całkowicie normalne. Oznacza to, że urządzenie VBI jest połączone z urządzeniem przenośnym <i>Bluetooth</i> w celu odtwarzania muzyki, realizacji połączeń lub obsługi aplikacji Videobar Mobile.

Problem	Rozwiązanie
Wskaźnik stanu jest włączony.	<p>Jeśli cały wskaźnik stanu jest podświetlony, oznacza to, że właśnie prowadzone jest spotkanie.</p> <p>Jeśli świeci się tylko niewielka część kontroltek, oznacza to brak aktywnego spotkania. Urządzenie VB1 jest po prostu włączone. Aby uzyskać więcej informacji, przejdź do sekcji Wskaźnik stanu (Strona 31).</p>
Niewielka część kontroltek pośrodku wskaźnika stanu świeci na zielono.	Jest to całkowicie normalne. Oznacza to, że kamera urządzenia VB1 jest włączona. (Jeśli pozostałe kontrolki na wskaźniku stanu są białe, oznacza to aktywne spotkanie. Jeśli inne kontrolki na wskaźniku stanu są wyłączone, oznacza to brak aktywnego spotkania).

请阅读并保留所有安全、安全性和使用说明。

重要安全说明

有关 Bose Professional VideoBar VB1 音视频一体机（包括配件和更换零件）的更多信息，请访问 boseprofessional.com/VB1 或联系 Bose Professional 客户服务团队。

1. 请阅读这些说明。
2. 请保留这些说明。
3. 请注意所有警告。
4. 请遵守所有说明。
5. 请勿在近水区域使用本设备。
6. 只能使用干布进行清洁。
7. 请勿堵塞任何通风口。请按照制造商的说明进行安装。
8. 请勿安装在任何热源旁，例如暖气片、热调节装置、火炉或可产生热量的其他设备（包括功率放大器）。
9. 防止踩踏或挤压电源线，尤其是插头、电源插座以及设备上的出口位置。
10. 只能使用制造商指定的附件/配件。
11.  只能使用制造商指定的或随本设备一起销售的推车、支架、三角架、托架或工作台。如果使用推车，则在移动推车/设备时应格外小心，以免因倾倒而造成伤害。
12. 在雷雨天气或长时间不用时，请拔下本设备的插头。
13. 任何维修事宜均请向专业人员咨询。如果设备有任何损坏（例如电源线或插头受损、液体溅入或物体落入设备内、设备受淋或受潮、不能正常工作或跌落），均需进行维修。

警告/小心



此符号表示产品外壳内存在未绝缘的危险电压，可能会造成触电危险。



此符号表示本指南中的重要操作和维护说明。



包含小部件，可能导致窒息危险。不适合 3 岁以下的儿童使用。



本产品含有磁性材料。有关这是否会影响到您的植入式医疗器械，请咨询您的医生。



仅可在海拔低于 2000 米的地区使用。

所有 Bose Professional 产品的安装都必须遵守当地、州、联邦和行业规范。安装人员有责任确保扬声器和安装系统的安装都符合适用的法规，包括当地的建筑法规和规定。安装本产品前，请咨询拥有司法权的当地监管机构。

此产品随附的电池如果处理不当、更换不当或更换为不正确的类型，可能存在起火、爆炸或化学灼伤危险。请勿对其进行充电、拆解、加热或焚烧。

未经授权切勿改装本产品。

若需要替换电池，仅可使用 AAA/LR03 碱性电池。

如果处理不当，电池可能导致着火或化学灼伤。请勿对其进行充电、拆解、加热或焚烧。

请勿让儿童接触电池。

如果电池漏液，请避免让液体与皮肤或眼睛接触。如果接触到了液体，请咨询医生。

请勿将含有电池的产品置于过热区域（例如避免阳光直射并远离火源等）。

只能使用随附硬件安装本产品。

仅用于在以下类型的墙面上安装：墙板 $\geq \frac{3}{8}$ in (10 mm)

如果不是在上述表面上安装，请联系专业安装人员。

本系统随附的互连连接线不可用于入墙式安装。请根据当地建筑法规选择正确的入墙式安装线缆和连接线。

请勿将本产品安装在不结实或有潜在危险的表面，比如铺有电线或管道的地方。

请勿在汽车或船舶上使用本产品。

由于有通风需求，Bose Professional 建议不要将本产品放置在密闭空间中，比如墙洞或封闭式橱柜。

请勿将支架或产品放置或安装在任何热源旁边，比如火炉、暖气片、热调节装置或其他可产生热量的设备（包括功放）。

请将本产品放置到远离火源和热源的地方。请勿将明火火源（如点燃的蜡烛）置于本产品上或本产品附近。

为降低失火或电击风险，请勿使本产品受雨淋或受潮。

本产品不得受液体淋溅或喷洒，不得将装有液体的物体（如花瓶等）置于本产品上或本产品附近。

此产品不适合在室内涉水设施区域安装或使用（包括但不限于室内游泳馆、室内水上乐园、有热水浴缸的房间、桑拿房、蒸汽浴室以及室内溜冰场）。

请勿将产品安装在可能发生冷凝的位置。

请勿将本产品与逆变器配合使用。

产品仅应使用随附的电源。

如果将电源插头或设备耦合器作为断路设备，那么此类断路设备应当保持可以随时恢复工作的状态。

规范信息

尺寸（高 × 宽 × 深）：48 × 659 × 102 mm (1.9 × 27.0 × 4.0 in)

净重：2.5 kg (5.6 lb)

输入额定值：24 VDC=， 1.875 A

您在安装和操作本设备时，身体应距离辐射体至少 20 cm。

为保持合规，应使用屏蔽连接线。

CAN ICES-3 (B)/NMB-3(B)

产生电噪声的产品相关信息（美国 FCC 合规声明）

注意：本设备已经过测试，符合 FCC 规则第 15 部分有关 B 类数字设备的各项限制。这些限制性规定旨在防范安装在住宅中的设备产生有害干扰。本设备会产生、使用并辐射射频能量，如果不按照说明安装和使用，则可能会对无线电通讯造成有害干扰。然而，即使按照说明安装，也不能保证在某些情况下不会发生干扰。如果本设备确实对无线电或电视接收造成有害干扰（可通过关闭和打开本设备来确定），用户可尝试采取以下一种或多种措施来纠正干扰：

调整接收天线的方向或位置。

增大本设备和功放接收机的间距。

将本设备和功放接收机的电源线插入不同线路上的插座中。

请咨询经销商或有经验的广播/电视技术人员以获得帮助。

未经 Bose Professional 明确批准，擅自更改或修改本设备会使用户操作本设备的权利失效。

本设备符合 FCC 规则第 15 部分规定和 ISCED Canada license-exempt RSS 标准。

本设备在操作时必须满足以下两个条件：(1) 本设备不能造成有害干扰；(2) 本设备必须能够承受接收到的任何干扰，包括导致意外操作的干扰。

低功率射频设备管理条例

第 XII 条：根据“低功率射频设备管理条例”，对于认证合格的低功率射频设备，未经 NCC 许可，任何公司、企业或用户均不得擅自变更频率、加大发送功率或变更原设计特性及功能。

第 XIV 条：使用低功率射频设备时不得影响航空安全和干扰合法通信；如发现有害干扰现象，应立即停用，并改善至无干扰方可继续使用。上述合法通信是指符合《电信法案》的无线电通信。

低功率射频设备必须可耐受合法通信或 ISM 无线电波辐射设备的干扰。

CE Bose Professional 特此声明，本产品严格遵守 2014/53/EU 指令和其他所有适用的欧盟指令要求中的基本要求和和其他相关规定。您可以从以下网址找到完整的合规声明：
www.Bose.com/compliance。

UK CA 本产品符合 2016 年所有适用的电磁兼容性法规和所有其他适用的英国法规。您可以从以下网址找到完整的合规声明：
www.Bose.com/compliance。

Bose Professional 在此声明，本产品严格遵守 2017 无线电设备法规的基本要求和所有适用的英国法规。您可以从以下网址找到完整的合规声明：
www.Bose.com/compliance。

本设备运行于 5150 至 5250 MHz 时只能在室内使用，否则可能会对其他同信道移动卫星系统产生有害干扰。

欧洲：

工作频段 2400 至 2483.5 MHz：


蓝牙/Wi-Fi：最大传输功率低于 20 dBm EIRP。

蓝牙低功耗：最大功率谱密度小于 10 dBm/MHz EIRP。

工作频段 5150 至 5350 MHz 和 5470 至 5725 MHz：

Wi-Fi：最大传输功率低于 20 dBm EIRP。

此设备在下表中列出的所有欧盟成员国于 5150 至 5350 MHz 频率范围运行时，仅限室内使用。

	比利时	丹麦	爱尔兰	英国 (北爱尔兰)	法国	塞浦路斯	斯洛伐克	匈牙利	奥地利	瑞典	保加利亚	德国	葡萄牙	萨尔瓦多
	克罗地亚	拉脱维亚	立陶宛	马耳他	波兰	捷克	爱沙尼亚	芬兰	西班牙	意大利	罗马尼亚	卢森堡	荷兰	塞拉利昂



此标志表示本产品不得作为生活垃圾丢弃，必须送至相关回收部门回收利用。正确处理和回收有助于保护自然资源、人类健康和环境。想要获得更多关于此产品的处理和回收的信息，请联系当地市政当局、垃圾处理服务部门或您购买此产品的门店。



请遵守当地规章适当处理电池。请勿将其焚化。



中国危险物质限用表

有毒或有害物质或元素名称及成分						
有毒或有害物质和元素						
零件名称	铅 (Pb)	汞 (Hg)	镉 (Cd)	六价铬 (CR(VI))	多溴化联苯 (PBB)	多溴二苯醚 (PBDE)
印刷电路板	X	0	0	0	0	0
金属零件	X	0	0	0	0	0
塑料零件	0	0	0	0	0	0
扬声器	X	0	0	0	0	0
线缆	X	0	0	0	0	0

此表格依据 SJ/T 11364 的要求制定。

O: 表示此零件中所有均质材料所包含的此类有毒或有害物质均低于 GB/T 26572 中的限定要求。

X: 表示此零件所用全部均质材料中至少有一种包含的这种有毒或有害物质高于 GB/T 26572 标准的限定要求。

15

中国台湾危险物质限用表

设备名称: Bose Videobar VBI音视频一体机 机型名称: 433869						
限用物质及其化学符号						
单位	铅 (Pb)	汞 (Hg)	镉 (Cd)	六价铬 (Cr+6)	多溴化联苯 (PBB)	多溴二苯醚 (PBDE)
印刷电路板	-	0	0	0	0	0
金属零件	-	0	0	0	0	0
塑料零件	0	0	0	0	0	0
扬声器	-	0	0	0	0	0
线缆	-	0	0	0	0	0

备注1: “0”表示限用物质的百分比含量未超出参考值。

备注2: “-”表示限用物质符合豁免规定。

生产日期: 序列号中第八位数字表示生产年份; “3”表示 2013 年或 2023 年。

中国进口商: Bose 电子 (上海) 有限公司, 上海市闵行区顾戴路 2337 号丰树商业城塔楼 D 第 6 层 (邮编: 201100)

欧洲进口商: Bose Products B.V., Gorslaan 60, 1441 RG Purmerend, The Netherlands

墨西哥进口商: Bose de México, S. de R.L. de C.V., Paseo de las Palmas 405-204, Lomas de Chapultepec, 11000 México, D.F.电话: +5255 (5202) 3545

中国台湾进口商: Bose 台湾分公司, 台湾 104 台北市民生东路三段 10 号, 9F-A1. 电话: +886-2-2514 7676

英国进口商: Bose Limited, Bose House, Quayside Chatham Maritime, Chatham, Kent, ME4 4QZ, United Kingdom

Bose Corporation, Framingham, MA 01701, U.S.A. 1-877-230-5639

产品电源状态表

根据能源相关产品的生态设计要求指令 (2009/125/EC)，本产品符合下列规范或文件：条例 (EC) 1275/2008 号（根据条例 (EU) 801/2013 号修订）。

必要的电源状态信息	电源模式	
	待机	网络待机
在 230 V/50 Hz 输入的情况下，指定电源模式下的功耗	≤ 0.5 W	Wi-Fi、以太网、蓝牙 ≤ 2.0 W
设备自动切换模式的等待时间	≤ 2.5 小时	≤ 20 分钟
在 230 V/50 Hz 输入的情况下，若所有有线网络端口已连接且所有无线网络端口已激活，网络待机的功耗	≤ 2.0 W	≤ 2.0 W
网络端口取消连接/连接流程。取消激活所有网络将启用待机模式。	<p>Wi-Fi: 通过恢复出厂默认设置取消连接：同时按住遥控器上的初始位置和自动取景按钮 5 秒钟，或者同时按住设备侧面的静音和蓝牙按钮 5 秒钟。通过 Videobar Mobile 应用程序激活。</p> <p>以太网: 拔出以太网线可取消连接。插入以太网线可重新连接。</p> <p>蓝牙: 通过恢复出厂默认设置取消连接：同时按住遥控器上的初始位置和自动取景按钮 5 秒钟，或者同时按住装置侧面的静音和蓝牙按钮 5 秒钟。与蓝牙音频源配对即可连接。</p>	

外部电源技术信息

根据能源相关产品的生态设计要求指令 (2009/125/EC)，本产品随附的外部电源符合下列规范或文件的要求：欧盟委员会法规 (EU) 2019/1782

制造商	Bose Products B.V.
工商注册号	36037901
地址	Gorslaan 60 1441 RG Purmerend The Netherlands
机型标识号	DT24V-1.8C-DC
输入电压	100 V-240 V
输入交流电频率	50 Hz/60 Hz
输出电压	24 VDC
输出电流	1.9 A
输出功率	45 W
平均工作效率	89.9%
低负载效率 (10%)	87.0%
空载功耗	0.07 W

许可证和法律信息

Bose 为 Bose Corporation 的商标。



DisplayLink® 是 DisplayLink Corp. 在欧盟、美国和其他国家/地区的注册商标。



HDMI、HDMI High-Definition Multimedia Interface 和 HDMI 徽标是 HDMI Licensing Administrator, Inc 的商标或注册商标。

“Android”和“Google Play”是 Google LLC 的商标。

蓝牙文字标记和徽标是由 Bluetooth SIG, Inc. 所拥有的注册商标，Bose Professional 根据许可规定使用上述标记。

macOS 是 Apple Inc. 的商标。

USB Type-C® 和 USB-C® 是 USB Implementers Forum 所拥有的注册商标，仅供基于并符合 USB Type-C® 连接线和连接器规范的产品使用。

Wi-Fi 是 Wi-Fi Alliance® 的注册商标。

所有其他商标均是其各自所有者的财产。

要查看作为 Videobar VB1 音视频一体机产品组件随附的第三方软件包的许可披露：

Videobar VB1 音视频一体机： 下载并打开 **Videobar Mobile** 移动应用程序，轻触 **Settings**（设置）图标，然后点击 **End User License Agreement**（最终用户许可协议）。

Videobar Mobile 移动应用程序： 轻触 **Settings**（设置）图标，然后点击 **End User License Agreement**（最终用户许可协议）。

Videobar Configuration 配置应用程序或 WebUI： 单击 **Settings**（设置）图标，然后点击 **End User License Agreement**（最终用户许可协议）。

Videobar Administration 管理应用程序： 单击菜单 (≡)，单击 **About Videobar Administration**（关于 Videobar Administration），然后单击 **End User License Agreement**（最终用户许可协议）。

Bose Professional 隐私政策位于 boseprofessional.com。

©2023 Transom Post OpCo LLC。未经事先书面许可，不得复制、修改、分发或以其他方式使用本文档的任何部分。

请填写以下内容，留作记录。

序列号和型号位于产品的背面。

序列号： _____

型号： _____

质保信息

本产品享受有限保修服务。

有关质保信息，请访问 boseprofessional.com/warranty。

装箱单

目录	10
----------	----

安装

一般安装准则	12
将 VB1 安装到桌面、搁物架、书柜	13
壁挂安装 VB1	14
摄像头隐私盖	19
连接线接口	20
线缆收纳	21

软件应用程序

Videobar Configuration 配置应用程序和 WebUI	24
Videobar Administration 管理应用程序	26
Videobar Mobile 应用程序	26

产品详细信息

面板	27
前面板	27
侧面板	28
后面板	29
遥控器	30
指示灯条	31

操作

开始会议	34
调整摄像头	35
重置摄像头.....	35
调整平移和倾斜角度.....	35
调整缩放比.....	36
保存和调用预设.....	36
启用/禁用自动取景	37
管理音频音量	38
本地音频播放	38
会议音频.....	38
调整音频音量	38
管理蓝牙设备.....	39
将一台蓝牙设备与 VB1 配对	39
断开蓝牙设备与 VB1 的连接	39
低功耗模式	40

维护与保养

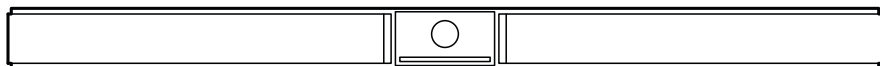
清洁 VB1.....	41
更换零件和配件.....	41
有限保修	41
序列号的位置.....	41
恢复出厂默认设置	42
忘记密码	42
更新软件	42

故障排除

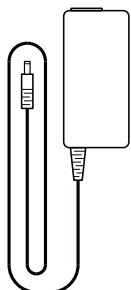
请先尝试以下解决方案。.....	43
------------------	----

装箱单

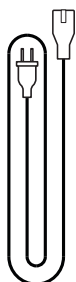
目录



Videobar VB1



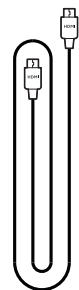
电源



电源线



USB Type-C®
连接线

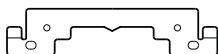


HDMI 连接线



台式支架

A  台式支架螺钉 (2 个)

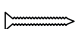


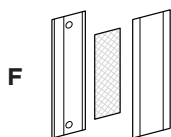
壁挂支架

B  大号干式墙锚栓 (4 个)

C  干式墙锚栓杆

D  盘头螺钉 (2 个)

E  平头螺钉 (2 个)



F

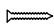
G  小号干式墙锚栓 (2 个)

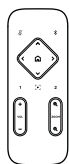
H  小号平头螺钉 (2 个)

I



J  小号干式墙锚栓

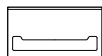
K  小号平头螺钉



遥控器



AAA/LR03 电池 (2 节)



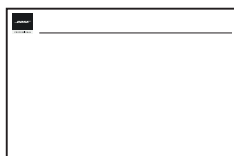
摄像头隐私盖



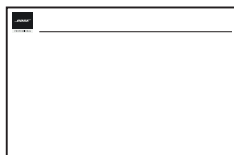
USB 转接头 (USB-C 转 USB-A)



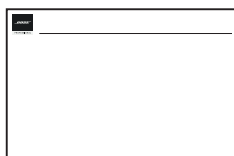
2 针 Euroblock 接口



快速启动指南



桌面安装指南



壁挂安装指南



安全说明指南

安装

一般安装准则

在使用中请勿将 VB1 躺放、侧放、倒放。

禁止在 VB1 上放置任何物品。

避免将 VB1 安装在空调通风口、加热器或散热器、风扇或其他噪音源或振动源附近。

为了避免无线干扰，应使其他无线设备与 VB1 保持 **0.3-0.9 m (1-3 ft)** 的距离。将 VB1 放于金属柜之外并远离金属柜、其他音频/视频组件和直接热源。

确保附近有交流电源插座。

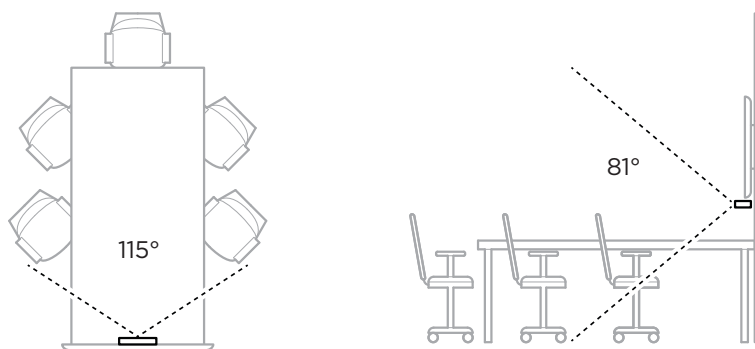
将 VB1 放到电视正下方（最佳）或正上方，使网罩朝向房间。

为了获得最佳音质，请勿将 VB1 放置于封闭式橱柜或斜放在角落。

确保所有参会者的座椅区均位于摄像头的视野 (FOV) 内。为确保自动取景功能正常工作，所有参会者都必须位于 FOV 内（请参阅启用/禁用自动取景（第 37 页））。

VB1 摄像头的 FOV 为水平 115° ，垂直 81° 。

确保会议室在会议期间光线充足。

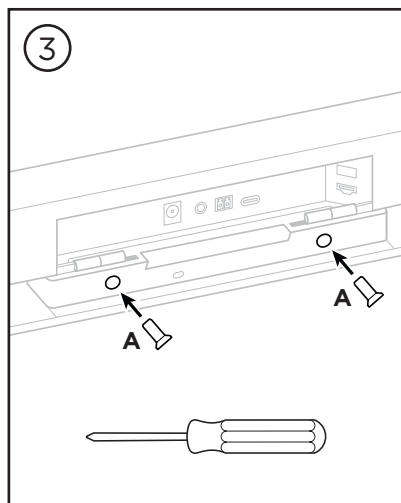
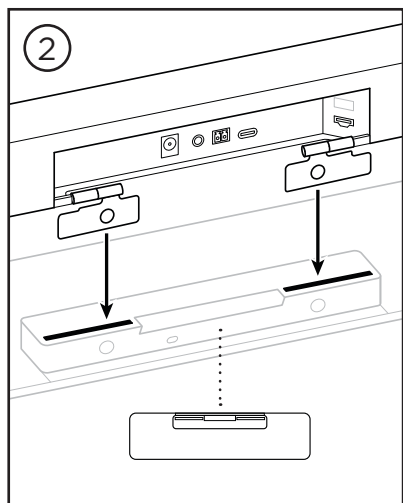
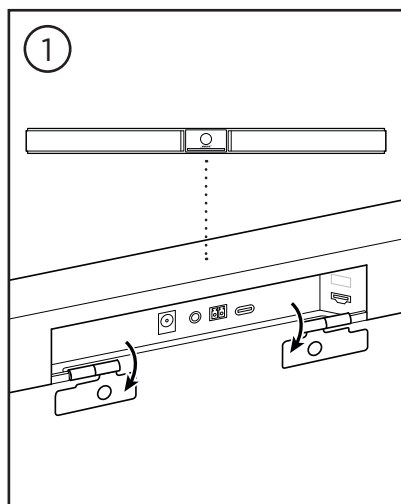
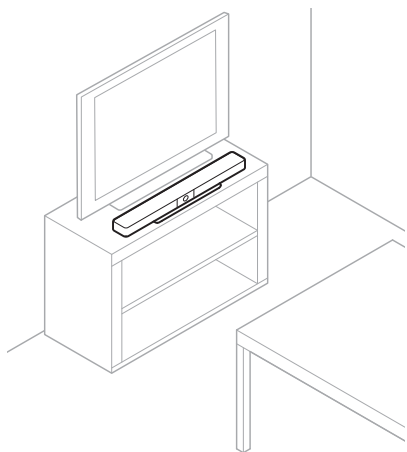


将 VB1 安装到桌面、搁物架、书柜

为了获得最佳性能，在桌子、搁物架、书柜等位置安装 VB1 时，请遵循以下建议：

将 VB1 装在台式支架上，然后置于稳定的水平表面上。

调整 VB1 前部的位置，以使支撑表面在摄像头图像中不可见。确保会议室在会议期间光线充足。



壁挂安装 VB1

为了获得最佳性能，在壁挂安装 VB1 时请遵循以下建议：

在确定壁挂支架在墙上的安装位置时，确保支架周围有足够的空间安装 VB1：

壁挂支架上方必须至少留有 **3.8 cm (1.5 in)** 的空间，以便您能够将 VB1“挂装”到支架上（步骤 7）并调整 VB1 的角度，同时有足够的空间靠近 VB1 背面的接口。

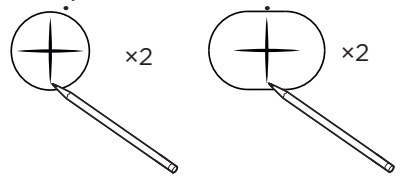
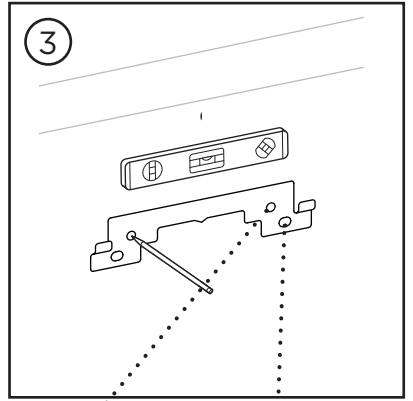
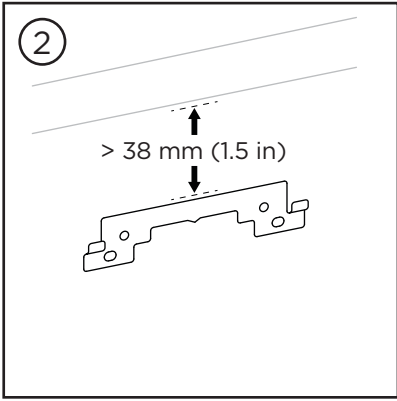
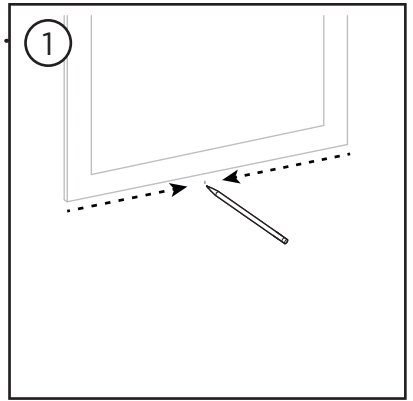
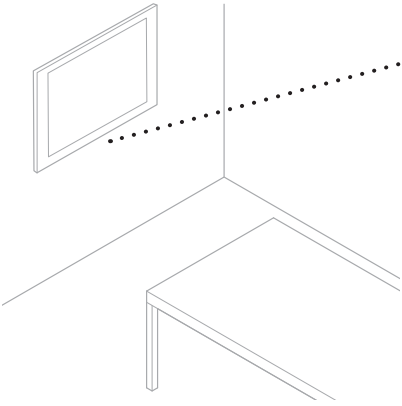
壁挂支架下方必须至少留有 **11.4 cm (4.5 in)** 的空间，以便您在安装时能够垂直挂装 VB1 并穿入缆线和调整 VB1 的角度。

壁挂支架居中放置时，安装空间的宽度必须至少为 **73.7 cm (29.0 in)**。为确保 VB1 侧面的发声端口有足够的空间，以及方便操纵侧面按钮，还需要为 VB1 留出更多的容纳空间（每侧应留有 **2.5 cm (1.0 in)** 的空间）。

只能使用随附硬件安装本产品。

注意：需要一些其他工具。

注意：继续之前，请阅读随附的重要安全说明。



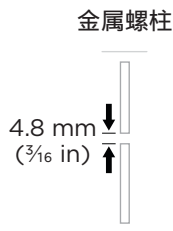
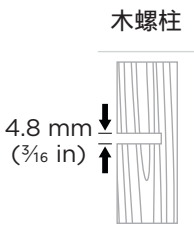
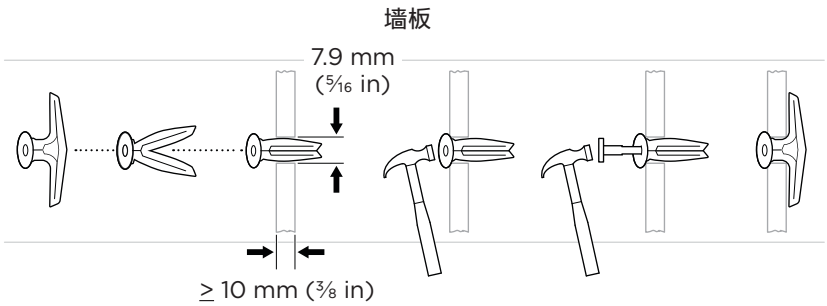
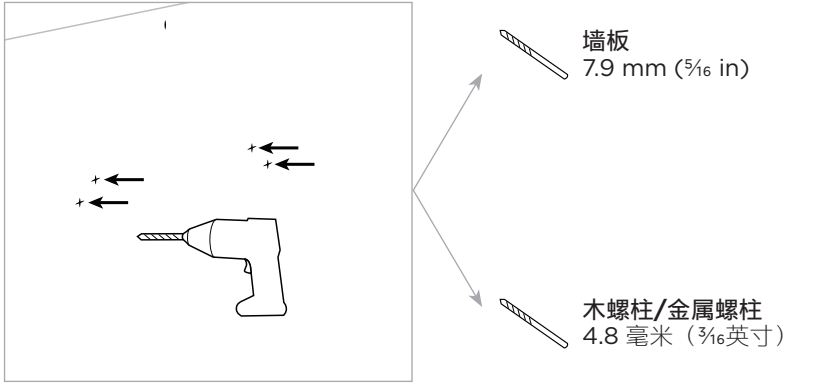
④

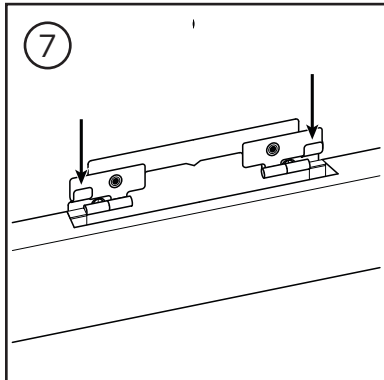
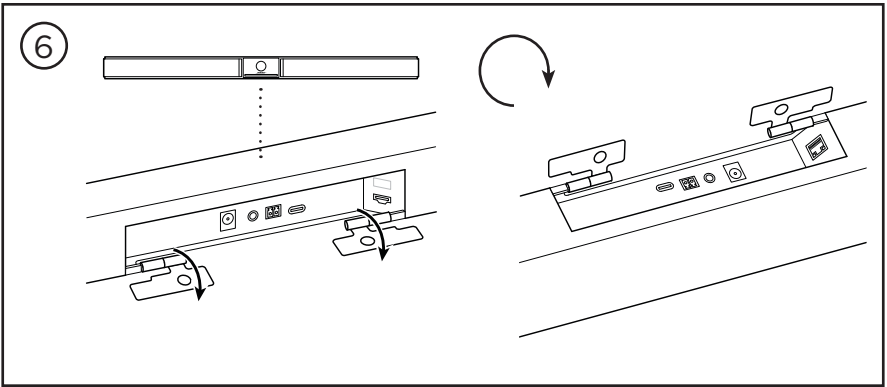
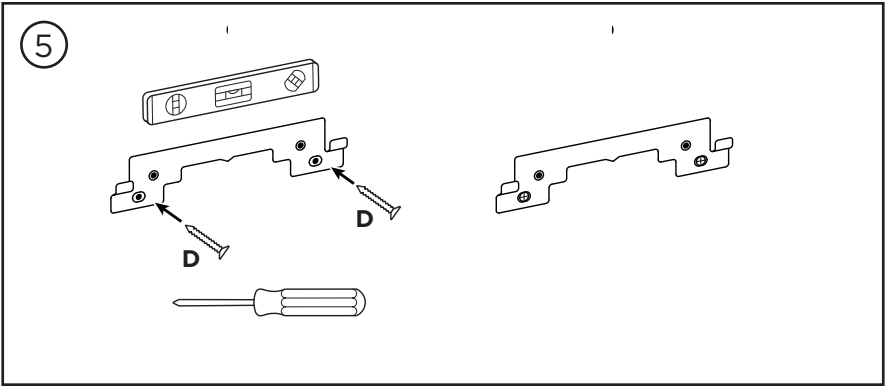
警告：

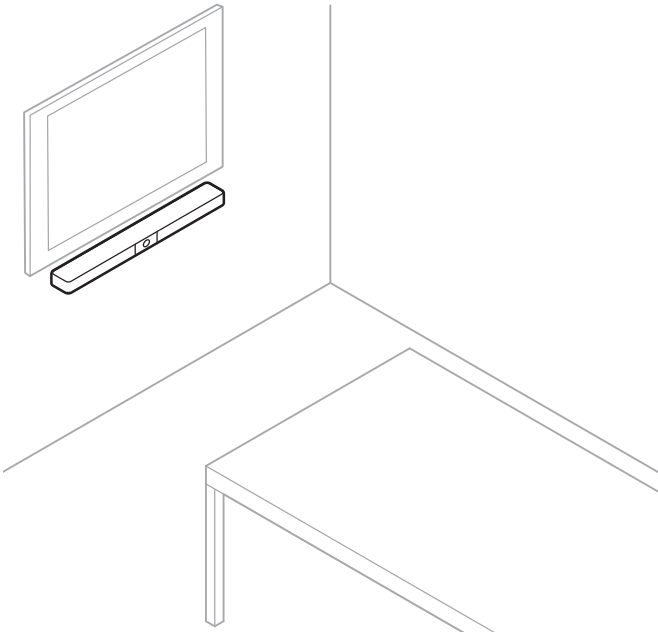
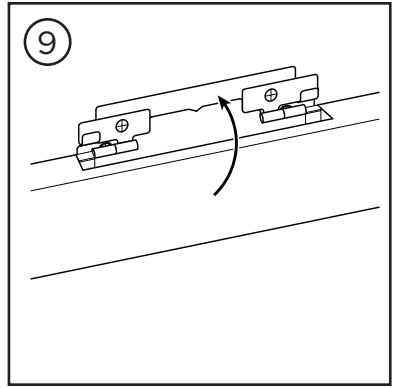
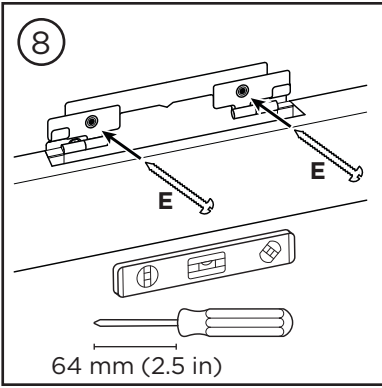


请勿将本产品安装在不结实或有潜在危险的表面，比如铺有电线或管道的地方。若有不确定，请联系专业安装人员。

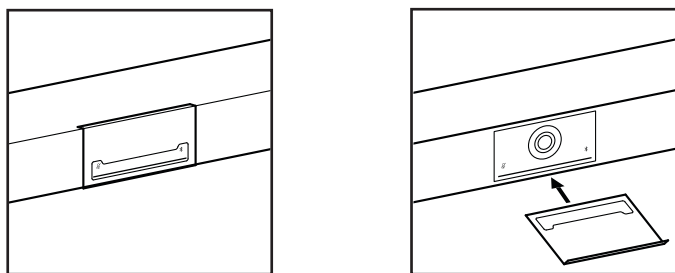
随附的紧固件不适合砖石建筑表面。







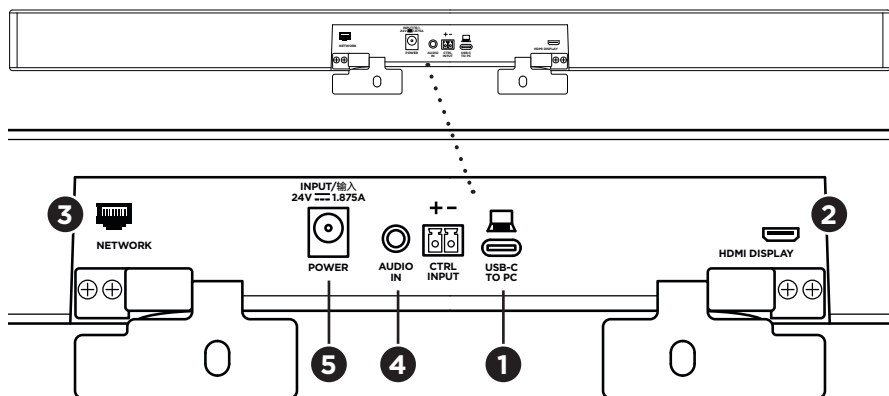
摄像头隐私盖



随附的摄像头隐私盖可完全盖住摄像头的视野，而不会遮盖指示灯。

隐私盖带有磁力，装到 VB1 镜头上会保持不动，如图所示。为方便在不使用时易于收纳，请将隐私盖固定在镜头下面的底部表面上。

连接线接口



1. 将随附的 USB-C® 连接线接至 **USB-C** 端口。

将连接线的另一端放在桌面上，这样会议主持人可在每次会议时轻松连接至计算机，会议结束后拔下连接线。

注意：如果会议时使用的计算机只有 USB-A 端口，则将随附的 USB 转接头（USB-C 转 USB-A）连接至 USB-C 连接线的计算机端。

2. **可选：**使用随附的 HDMI 连接线将 **HDMI Display** 端口连接到视频显示屏或显示器上的 HDMI 端口。

注意：电脑必须安装最新的 DisplayLink® 驱动程序且 VB1 必须启用 DisplayLink 设置（默认为禁用）后，HDMI 输出才能正常工作。请访问 displaylink.com/downloads 下载最新的驱动程序。使用 Videobar Configuration 配置应用程序、WebUI 或 Videobar Administration 管理应用程序启用或禁用 DisplayLink 设置（请参阅**软件应用程序**（第 23 页））。

3. **可选：**若要在网络中使用 VB1，请使用一根 5 类线缆（未随附）将 **Network**（网络）端口连接至 LAN 端口或网络交换机等上的端口。

4. **可选：**对于来自显示屏上模拟音频输出的辅助音频，请将一根 3.5 mm (1/8 in) 的立体声连接线连接至 **Audio in**（音频输入）插孔。

引脚输出配置为：

1. 尖头 = 左音频输入
2. 圆环 = 右音频输入
3. 套筒/圆环 2 = 接地



5. 将随附的电源连接到 **Power**（电源）输入端口。

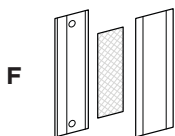
6. 使用随附的电源线将电源连接至电源插座。VB1 会在接通电源后自动开机。

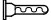
有多种软件应用程序可用来配置 Videobar VB1 音视频一体机以获得最佳性能。有关详细信息，请参阅**软件应用程序**（第 23 页）。

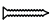
如果您需要使用 USB 延长线，请访问 boseprofessional.com/VB1 以获取适合与 VB1 一起使用的第三方 USB 延长线的列表。

线缆收纳

随附的线缆收纳罩盖可将所有常用线缆固定到墙壁上。



G  小号干式墙锚栓 (2 个)

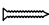
H  小号平头螺钉 (2 个)

要安装线缆收纳罩盖：

1. 将线缆收纳罩盖 (**F**) 的背板 (带有螺丝孔的部件) 贴放至墙上所需位置。
2. 在墙上标记两个螺丝孔的中心，然后将收纳罩盖放至一侧。
3. 如果该段墙体的后面有龙骨，则在墙内钻两个 **2.4 mm (3/32 in)** 的孔。
如果没有龙骨，则在墙内钻两个 **5 mm (3/16 in)** 的孔。
4. 如果这段墙体的后面没有龙骨，则将两个小号干式墙锚栓 (**G**) 装入墙内。
5. 将收纳罩盖 (**F**) 的背板与螺丝孔对齐。
6. 将两个小号平头螺钉 (**H**) 拧入收纳罩盖的背板，以将其固定到墙上。
7. 将线缆拢起并顺到 (墙上) 收纳罩盖的“导轨”内。
8. 撕下收纳罩盖泡沫 (**F**) 上的胶带。
9. 将泡沫胶带靠近拢好的线缆并牢固地贴到收纳罩盖的背面。
10. 将收纳罩盖的前盖板 (**F**) 贴放到拢好的连接线以及泡沫上，以便将其粘牢。



J  小号干式墙锚栓

K  小号平头螺钉

要将电源线固定到墙上：

1. 确定要将电源线固定到墙上何处。
2. 在墙上标记一个螺丝孔位置。
3. 如果该段墙体的后面有龙骨，则在墙内钻一个 **2.4 mm (3/32 in)** 的孔。
如果没有龙骨，则在墙内钻一个 **5 mm (3/16 in)** 的孔。
4. 如果这段墙体的后面没有龙骨，则将小号干式墙锚栓 (**J**) 装入墙内。
5. 将电源线扎带的孔眼 (**I**) 与螺丝孔对齐。
6. 将小号平头螺钉 (**H**) 拧入电源线扎带的孔眼，以将其固定到墙上。

软件应用程序

您可使用三种软件应用程序来配置 Videobar VB1 音视频一体机：

使用 Videobar Configuration 配置软件（适用于 Windows 和 macOS 或通过 Web 浏览器）进行设备设置和配置。

特点：

控制摄像头：平移、倾斜、变焦、预设和自动取景

受密码保护的管理和配置

安装固件更新、创建和应用配置文件、启用或禁用 HDMI 输出 (DisplayLink)、调整网络、蓝牙和摄像头高级设置等

通知您是否有可用的 Videobar 设备软件更新

适用于 Windows 和 macOS 系统或通过 web 浏览器使用，通过网络连接提供桌面软件的所有功能

使用 Videobar Administration 管理软件远程管理单设备或企业范围内的多设备更改，实时查看设备状态。

特点：

从一个位置查看设备状态并控制所有 Bose Professional Videobar 音视频一体机设备的关键功能

为所有或选定的设备安排固件更新

按设备或设备组查看、编辑、保存参数

查找网络上的所有设备；创建、保存和应用设备配置文件

适用于 Windows

通过 Videobar Mobile 移动应用程序，房间中的任何人都能使用智能手机控制 Videobar VB1 音视频一体机，进行调节音量、静音、平移、倾斜、变焦、变焦预设和蓝牙配对。

特点：

通过移动设备实时控制音量、静音、平移、倾斜、变焦、变焦预设和蓝牙配对

使用蓝牙配对，自动查找并与 Videobar VB1 音视频一体机进行通信

适用于 iOS 和 Android 设备

Videobar Configuration 配置应用程序和 WebUI

要在计算机下载并安装 Videobar Configuration 应用程序：

1. 在计算机上，访问 **boseprofessional.com/VB1**。
2. 下载并安装 **Videobar Configuration Software** 配置应用程序。

要访问并使用 Videobar Configuration 配置应用程序配置 VB1：

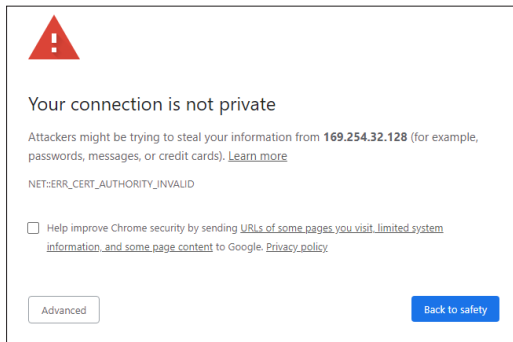
1. 将计算机连接至 VB1 上的 **USB-C** 端口。
2. 打开 **Videobar Configuration** 配置应用程序。
3. 要访问管理员设置以配置 VB1，请单击导航面板中的 **Administrator**（管理员）图标并输入出厂默认密码：**Bose123!**

注意： 建议您在获得访问权限后立即更改密码。

要访问并使用基于浏览器的 Videobar Configuration WebUI 通过网络连接配置 VB1：

1. 将计算机和 VB1 连接到同一网络。
2. 在 Web 浏览器的地址栏中输入 VB1 的 IP 地址，然后按 **Enter**（确定）键。（您可以通过 USB 使用 Videobar Configuration 配置应用程序确定 IP 地址，或者使用 Videobar Administration 管理应用程序自动发现网络上的 VB1。）Videobar Configuration WebUI 将打开。

注意： 在某些浏览器中，您可能会看到如下安全警告：



此为正常情况，并不存在安全风险。单击 **Advanced**（高级）。（如果您不确定能否在计算机上、Web 浏览器内等位置执行某项操作，请先咨询您的 IT/系统管理员。）

然后，您可能会收到一条消息：

This server could not prove that it is **169.254.32.128**; its security certificate is not trusted by your computer's operating system. This may be caused by a misconfiguration or an attacker intercepting your connection.

[Proceed to 169.254.32.128 \(unsafe\)](#)

这也是正常情况。单击 **Proceed to... (继续...)** 链接，以进入 Videobar Configuration WebUI 登录页面。

出厂默认管理员密码为：**Bose123!**

注意： 建议您在获得访问权限后立即更改密码。

要访问 Videobar Configuration 配置应用程序或 WebUI 的帮助文件，请参阅该应用程序或 WebUI 中的 **Settings (设置)** 页面。

Videobar Administration 管理应用程序

要下载 Videobar Administration 管理软件：

1. 在计算机上，访问 **boseprofessional.com/VB1**。
2. 下载并安装 **Videobar Administration** 管理应用程序。

要访问和使用 Videobar Administration 应用程序配置网络连接上的一个或多个 VB1：

1. 将计算机和每个 VB1 连接到同一网络。
2. 打开 **Videobar Administration** 管理应用程序。

要访问 Videobar Administration 管理应用程序的帮助文件，请参阅应用程序中的 **About Videobar Administration**（关于 **Videobar Administration**）页面。

Videobar Mobile 应用程序

Videobar Mobile 应用程序可轻松让您的移动设备拥有红外遥控器功能。要下载 Videobar Mobile 应用程序：

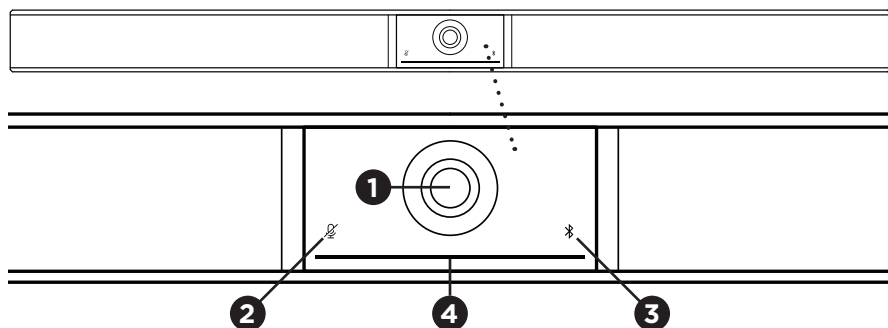
1. 在 App StoreSM 或 Google PlayTM 上搜索并下载 **Videobar Mobile** 应用程序。
2. 在移动设备上打开应用程序并启用位置跟踪。
3. 在您的移动设备上，连接到 **Videobar VB1** 音视频一体机。

要访问 Videobar Mobile 应用程序的帮助文件，请参阅该应用程序的 **Settings**（设置）页面。

产品详细信息

面板

前面板



1. 摄像头

2. 音指示器：当麦克风关闭时，此指示灯将亮起红灯。

3. 牙指示灯：此指示灯指示 VB1 当前的蓝牙连接状态：

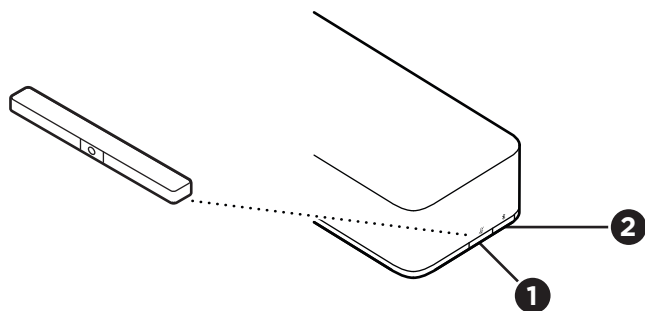
慢闪蓝灯：VB1 可以与蓝牙移动设备配对。

白灯常亮：VB1 已连接至 Videobar Mobile 应用程序或用于通话和播放媒体的移动设备。

熄灭：无蓝牙连接。

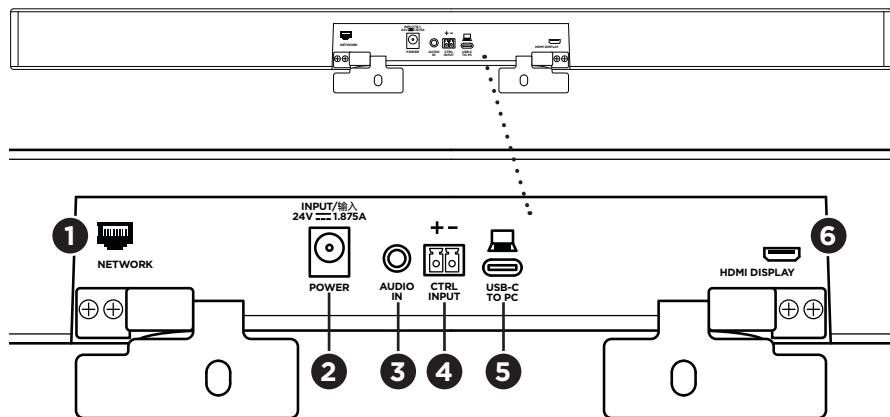
4. 示灯条：请参阅指示灯条（第 31 页）以了解有关此问题的更多信息。

侧面板



1. **静音按钮**: 按此按钮可使 VB1 麦克风静音或取消静音。
2. **蓝牙按钮**: 按住此按钮可进入配对模式。

后面板



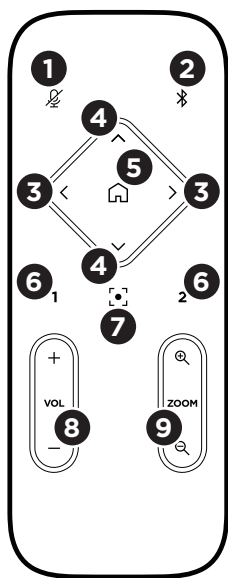
1. **Network (网络)**：使用此 1 Gbps RJ45 接口进行配置和/或监控。（此端口位于后面板的内侧。）
2. **Power (电源)**：连接随附的电源线。
3. **Audio In (音频输入)**：使用 3.5 mm (1/8 in) 立体声线缆（未随附）连接至可选音频源，例如所连接的显示器或显示屏的音频输出。
4. **Ctrl Input (输入控制)**：此端口用于通过随附的 2 针 Euroblock 连接器进行静音覆盖。默认情况下，此端口为低电平激活，并包含一个内部上拉电阻。
5. **USB-C**：此端口用于连接至在举办会议时使用的计算机。
6. **HDMI Display (HDMI 显示屏)**：使用随附的 HDMI 线缆将此端口连接至显示屏。（此端口位于后面板的内侧。）

注意：电脑必须安装最新的 DisplayLink® 驱动程序且 VB1 必须启用 DisplayLink 设置（默认为禁用）后，HDMI 输出才能正常工作。请访问 displaylink.com/downloads 下载最新的驱动程序。使用 Videobar Configuration 配置应用程序、WebUI 或 Videobar Administration 管理应用程序启用或禁用 DisplayLink 设置（请参阅**软件应用程序（第 23 页）**）。

遥控器

Videobar VB1 音视频一体机包含一个红外遥控器，可用于调整摄像头和音量设置、将麦克风静音以及将 VB1 置于蓝牙配对模式。

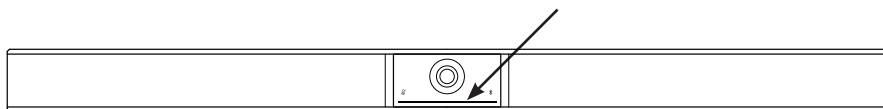
注意： 软件应用程序也可以提供遥控器的所有功能，可用于配置 Videobar VB1 音视频一体机。有关详细信息，请参阅**软件应用程序（第 23 页）**。














- 1. 静音：** 将 VB1 麦克风静音/取消静音。
- 2. 蓝牙：** 按住 **3** 秒可进入配对模式。如果已和某个设备配对，按住该按钮可断开连接。
- 3. 摄像头平移：** 按下可向左和向右平移摄像头（< 或 >），或者按住以进行连续调整。
- 4. 摄像头倾斜：** 按下可向上或向下倾斜摄像头（^ 或 v），或者按住以进行连续调整。
- 5. 初始位置预设：** 将摄像头的平移、倾斜和变焦（PTZ）设置恢复为“Home”（初始位置）位置。可在 Videobar Configuration 配置应用程序中更改“Home”（初始位置）的位置。
- 6. 预设 1 和 2：** 按下可选择摄像头的预设 1 或 2。按住可将摄像头当前的平移、倾斜和变焦（PTZ）设置保存为预设 1 或 2。
- 7. 自动取景：** 打开/关闭自动取景。打开时，会自动调整摄像头的平移、倾斜和变焦（PTZ）设置，以将所有参会者始终包含到视野内。
- 8. 音量：** 调高或调低音量（+ 或 -）。
- 9. 摄像头变焦：** 提高或降低（+ 或 -）摄像头的缩放比。



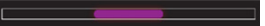
指示灯条

指示灯条位于 VB1 摄像头下方。



外观	活动	系统状态
	指示灯条的中间有一小段灯条始终为白灯常亮。	开机并“唤醒”。
	整个指示灯条均为白灯常亮。	处于会议中。摄像头已关闭。
	中间的灯为绿灯常亮，而周围的灯为白灯常亮。	处于会议中。摄像头开启，自动取景功能关闭。
	指示灯条的中间有一小段灯条为绿灯常亮，而周围的灯为白灯常亮。	处于会议中。摄像头开启，自动取景功能开启。
	指示灯条的中间有一小段灯条为绿灯常亮，周围的灯均不亮。	摄像头已打开。不在会议中。
	指示灯条最左侧的灯闪烁一次（如果在会议中，则闪烁后恢复白色常亮，如果不在会议中，则闪烁后熄灭）。	音量被调低一个增量。
	指示灯条最右侧的灯闪烁一次（在会议中，则闪烁后恢复白色常亮，如果不在会议中，则闪烁后熄灭）。	音量被调高一个增量。

外观	活动	系统状态
	指示灯条最左侧的一小段灯条闪烁一次（如果在会议中，则闪烁后恢复白色常亮，如果不在会议中，则闪烁后熄灭）。	音量已被调至最低水平。
	指示灯条最右侧的一小段灯条闪烁一次（在会议中，则闪烁后恢复白色常亮，如果不在会议中，则闪烁后熄灭）。	音量已被调至最高水平。
	指示灯条的中间有一小段灯条为白灯快速闪烁。	VB1 正在搜索 Wi-Fi 网络。
	指示灯条的中间有一小段灯条为白灯闪烁一次，然后逐渐熄灭。	VB1 已连接至 Wi-Fi 网络。 当 VB1 检测到连接至电脑 USB 端口或 Audio In（音频输入）的新音频源时，灯条也会出现这种显示。
	指示灯条的中间有一小段灯条始终为红灯常亮。	VB1 由于固件/软件问题无法正常工作。请联系 Bose 客户服务团队。
	指示灯条的中间有一小段灯条为琥珀色灯闪烁。	VB1 由于连接问题无法正常工作。确保 VB1 已连接到网络。
	白色灯在指示灯条的左右两端之间反复移动。	VB1 正在下载和安装固件更新。不要断开 VB1 的电源或网络连接。更新完成后，指示灯条将停止移动，VB1 会发出提示音。

外观	活动	系统状态
	<p>指示灯条的中间有一小段灯条为白灯闪烁。</p> <p>然后，灯从中间向外移动，直至整个灯为白灯常亮。然后灯以相同模式熄灭。</p>	<p>VB1 在恢复出厂默认设置后正在重新启动。</p>
	<p>指示灯条的中间有一小段灯条为白灯闪烁。</p>	<p>VB1 在断电后正在重新启动。</p>
	<p>指示灯条的中间有一小段灯条为紫色灯重复闪烁。</p>	<p>Videobar Administration 管理应用程序正在向 VB1 发送“Identify Device”（识别设备）消息。</p>

操作

开始会议

注意：电脑必须安装最新的 DisplayLink® 驱动程序且 VB1 必须启用 DisplayLink 设置（默认为禁用）后，HDMI 输出才能正常工作。请访问 displaylink.com/downloads 下载最新的驱动程序。使用 Videobar Configuration 配置应用程序、WebUI 或 Videobar Administration 管理应用程序启用或禁用 DisplayLink 设置（请参阅**软件应用程序（第 23 页）**）。

使用 VB1 开始会议：

1. 使用随附的 USB 线缆将 VB1 连接至计算机。如果需要，使用随附的 USB 转接头（USB-C 转 USB-A）。
2. 在您喜欢的会议软件中开始会议。
3. 在会议软件的设备设置中，选择 **Videobar VB1** 音视频一体机作为麦克风、扬声器和摄像头设备。

使用 VB1 作为麦克风发起会议通话：

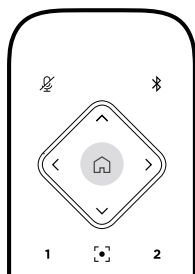
1. 按下 VB1 侧面的**蓝牙**按钮（或按住遥控器上的**蓝牙**按钮 3 秒钟），将 VB1 置于配对模式。
2. 在您的移动设备上，扫描可用的**蓝牙**设备并选择 VB1。
3. 从您的移动设备上发起会议通话。音频将自动从您的移动设备路由到 VB1 扬声器和麦克风。

调整摄像头

注意： 软件应用程序也可以提供遥控器的所有功能，可用于配置 Videobar VB1 音视频一体机。有关详细信息，请参阅**软件应用程序**（第 23 页）。

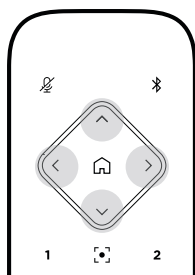
提示： 为了快速简单地调整摄像头设置，我们建议您在移动设备上使用 Videobar Mobile 应用程序。请参见 **Videobar Mobile 应用程序**（第 26 页）。

重置摄像头



要将摄像头恢复为默认的平移、倾斜和变焦 (PTZ) 设置，请按遥控器上的初始位置按钮。

调整平移和倾斜角度



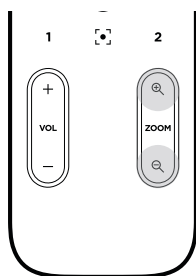
注意： 只有当摄像头的缩放比未被拉至最远时，才能调整其平移和倾斜角度。

要调整摄像头的平移（左 - 右）角度，请按下遥控器上的其中一个平移按钮（< 或 >）。

要调整摄像头的倾斜（上 - 下）角度，请按下遥控器上的其中一个倾斜按钮（^ 或 v）。

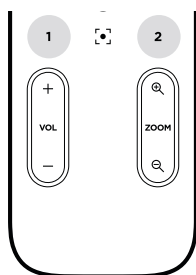
按一次按钮对摄像头按增量进行调整，或者，按住按钮进行连续调整。

调整缩放比



要调整摄像头的缩放比，请按下遥控器上的其中一个**变焦按钮（+ 或 -）**。
按一次按钮对摄像头按增量进行调整，或者，按住按钮进行连续调整。

保存和调用预设



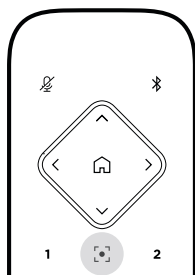
您可以将摄像头的平移、倾斜和变焦设置保存为预设：预设 1 或预设 2。当您调用已保存的预设时，摄像头将立即返回到已保存的平移、倾斜和变焦设置。

要保存预设：

1. 根据需要调整平移、倾斜和变焦设置。
2. 按住遥控器上所需的预设按钮**预设 1**或**预设 2** 3 秒钟。摄像头设置将保存到该预设。

要调用已保存的预设，请按遥控器上所需的预设按钮**预设 1**或**预设 2**。摄像头会立即将平移、倾斜和变焦设置更改为该预设中保存的设置。

启用/禁用自动取景



要启用或禁用摄像头的自动取景功能，请按遥控器上的**自动取景**按钮。

启用后，摄像头将自动连续地调整平移、倾斜和变焦设置，以将会议室中的所有参会者都包括到视野内。

注意：调整平移、倾斜或变焦设置或选择**初始位置**、**预设 1** 或**预设 2**，将自动禁用自动取景功能。

禁用后，可手动调整摄像头的平移、倾斜和变焦 (PTZ) 设置。

管理音频音量

Videobar VB1 音视频一体机具有四个音频输入：麦克风、USB 音频、蓝牙音频和模拟输入（**Audio In**（音频输入）插孔）。

VB1 还具有三个音频输出：扬声器、USB 音频和蓝牙音频。

除了 **Audio In**（音频输入）插孔外，所有这些信号的实时音量均可在 Videobar Configuration 配置应用程序/WebUI 的 **Meters**（电平表）选项卡上查看。

本地音频播放

来自 USB、蓝牙或模拟输入的音乐或音频均通过 VB1 扬声器播放。此音频不会在会议期间发送至远端。

会议音频

VB1 麦克风音频在经过声学回声消除 (AEC) 处理后发送至远端（通过 USB 输出）。

如果本地音频播放通过 USB 输入发送，则音频将通过 VB1 扬声器播放，但是，AEC 功能会从 VB1 麦克风拾取的音频中去除本地音乐，然后再将其发送到远端。

如果您希望将本地音频播放发送到远端，请在会议软件中共享音频播放应用程序。

调整音频音量

VB1 有两套音量控制装置：一套用于控制 VB1 扬声器，一套用于控制模拟输入（**Audio In**（音频输入））。

要调节 VB1 扬声器的音量，请使用遥控器上的 **VOL +** 或 **VOL -** 按钮，调整电脑的音量，或调节蓝牙音频的音量。这三种音量大小会始终保持同步，因此调整其中的一个音量，也会调整其他的音量。

注意： 软件应用程序也可以提供遥控器的所有功能，可用于配置 Videobar VB1 音视频一体机。有关详细信息，请参阅**软件应用程序**（第 23 页）。

如果需要，调整 **Analog Input Gain**（模拟输入增益），以微调发送到 **Audio in**（音频输入）插孔的信号，使其与电脑和蓝牙音频的额定电平相匹配。您可以在 Videobar Configuration 配置应用程序、WebUI 或 Videobar Administration 管理应用程序中执行此操作（请参阅**软件应用程序**（第 23 页））。

管理蓝牙设备

VB1 一次可与一个蓝牙设备配对。例如，它无法同时与一台使用 Videobar Mobile 应用程序的设备和另一台用于通话或音频播放的设备配对。

将一台蓝牙设备与 VB1 配对

Videobar Mobile 应用程序可使用 *Bluetooth Low Energy* (BLE, 蓝牙低功耗) 将您的蓝牙设备与 VB1 配对。该应用程序会自动“发现”附近的 VB1。

要使用 Videobar Mobile 应用程序将蓝牙设备与 VB1 配对，请打开应用程序并选择所需的 VB1。成功配对后，VB1 前面板上的蓝牙指示灯为白灯常亮。（有关详细信息，请参阅 **Videobar Mobile 应用程序（第 26 页）**。）

与进行通话或视频播放的蓝牙设备配对：

1. 按下 VB1 侧面的 **蓝牙**按钮（或按住遥控器上的 **蓝牙**按钮 3 秒钟），将 VB1 置于配对模式。VB1 前面板上的 **蓝牙**指示灯将为蓝灯闪烁。
2. 在 **蓝牙**设备上，扫描其他可用的 **蓝牙**设备并选择 VB1。成功配对后，VB1 前面板上的 **蓝牙**指示灯为白灯常亮。

断开蓝牙设备与 VB1 的连接

VB1 不会自动重新连接到先前已配对的 **蓝牙**设备。一旦 **蓝牙**连接丢失（由于距离过远、故意断开连接、与另一台设备配对等原因），您需要按照步骤再次配对。

要断开 **蓝牙**设备与 VB1 的连接，请执行以下操作之一：

在移动设备上禁用 **蓝牙**连接。

按下 VB1 侧面的 **蓝牙**按钮。

按住遥控器上的 **蓝牙**按钮 3 秒。

低功耗模式

有些国家和地区的能源法规要求 VB1 之类的产品在不使用时要进入低功耗模式以节省能源。您可以使用 Videobar Configuration 配置应用程序、WebUI 或 Videobar Administration 管理应用程序禁用（或重新启用）VB1 中的此项功能（请参阅软件应用程序（第 23 页））。

VB1 的低功耗模式实际上分为两个阶段：**待机模式**和**低功耗待机模式**。

启用低功耗模式后，VB1 会在停止活动 18 分钟后进入待机模式。如果此后 2 小时内还无活动，VB1 将进入低功耗待机模式。在这两种模式下，VB1 前面的指示灯都会熄灭。

如果禁用低功耗模式，则这两种模式也将被禁用。

某些操作或命令可以阻止 VB1 进入待机模式，将 VB1 从待机模式“唤醒”（使其恢复正常工作），或将 VB1 从低功耗待机模式“唤醒”（使其恢复正常工作）。

操作或命令	阻止 VB1 进入待机模式。	将 VB1 从待机模式“唤醒”。	将 VB1 从低功耗待机模式“唤醒”。	
按下按钮	VB1 侧面的 静音或蓝牙 按钮	✓	✓	✓
	遥控器上的任何按钮	✓	✓	✓
USB	将设备连接至 USB-C 端口		✓	✓
	来自 Videobar Configuration 配置应用程序或 WebUI 的通信	✓		
	音频播放	✓	✓	
蓝牙	有效连接	✓	✓	
	音频播放	✓	✓	
Wi-Fi 或以 以太网	来自 Videobar Configuration 配置应用程序或 WebUI 的通信	✓	✓	
	来自 Videobar Administration 管理应用程序的通信	✓	✓	
HDMI Display	计算机连接到启用了 DisplayLink 的 HDMI Display 端口	✓	✓	
Audio in	音频播放	✓	✓	

维护与保养

清洁 VB1

VB1 可能需要定期清洁。

用柔软的干布擦拭外表面。

务必防止网罩或任何线缆/电线接口进水。

更换零件和配件

可通过 Bose Professional 客户服务处订购更换零件或配件。

请访问：boseprofessional.com。

有限保修

Videobar VB1 音视频一体机享受有限质保服务。有关有限质保服务的详情，请访问我们的网站：boseprofessional.com/warranty。

序列号的位置

序列号和型号位于产品的背面。

您也可以在 Videobar Configuration 配置应用程序、WebUI 或 Videobar Administration 管理应用程序中查看序列号（请参阅软件应用程序（第 23 页））。

恢复出厂默认设置

“恢复出厂默认设置”功能可以：

清除与 VB1 配对的蓝牙设备列表。

清除摄像头预设（预设 1 和预设 2）。

将所有摄像头、麦克风和扬声器设置恢复为默认值。（其中许多设置均可在 Videobar Configuration 配置软件或 Videobar Administration 管理软件中配置。）

将管理员密码重置为 **Bose123!**

注意： 建议您在重置后立即更改密码。

要将 VB1 的所有设置恢复为其出厂默认设置，请执行以下操作之一：

在遥控器上，同时按住**初始位置**按钮和**自动取景**按钮 5 秒。

同时按住 VB1 侧面的**静音**按钮和**蓝牙**按钮 5 秒。

指示灯条的中间有一小段将出现白灯闪烁。然后，灯条会从中间向外移动，直至整个指示灯条为白灯常亮。灯以相同模式熄灭。此过程完成后，VB1 将以其出厂默认设置重新启动。

忘记密码

如果您忘记了用于访问管理员配置设置的密码，则必须恢复出厂默认设置以重置密码（请参阅**恢复出厂默认设置（第 42 页）**）。

注意： 建议您在重置后立即更改密码。

更新软件

您可以使用 Videobar Configuration 配置应用程序和 Videobar Administration 管理应用程序进行检查并安装 VB1 固件更新。请参阅**软件应用程序（第 23 页）**以了解如何下载和访问这些软件应用程序。

如果您使用 **Videobar Configuration WebUI** 配置 VB1，您可能无法从在线服务器自动检查或更新固件，除非您的计算机也接入了互联网。

如果在使用 WebUI 时无法访问固件更新，请执行以下操作之一：

使用 **Videobar Configuration 配置应用程序**。

使用 **Videobar Administration 管理应用程序**。

将固件文件直接下载到计算机上，然后使用 **Videobar Configuration WebUI** 按之前版本方式对固件进行更新。

故障排除

请先尝试以下解决方案。

如果您的 VB1 出现问题，请先尝试以下解决方案：

确保 VB1 已连接至电源。

确保所有连接到后面板的线缆都已可靠连接。请参见[连接线接口（第 20 页）](#)。

检查状态指示灯。请参见[前面板（第 27 页）](#)。

确保您的移动设备支持蓝牙连接。

检查是否有可用的 VB1 软件更新。请参见[更新软件（第 42 页）](#)。

将蓝牙设备靠近 VB1，远离任何干扰或障碍物。

调节 VB1、计算机、蓝牙设备或任何其他音频源的音量。请参见[管理音频音量（第 38 页）](#)。

若无法解决问题，请参见下表了解常见问题的症状和解决方法。若仍然无法解决问题，请联系 Bose Professional 客户服务中心。请访问：boseprofessional.com。

问题	解决方法
我能听到音乐，但我的 PC 并没有连接到 VB1。	检查蓝牙指示灯是否为白灯稳定亮起。如果是，则表明可能已经有人将蓝牙设备与 VB1 配对。按下 VB1 侧面的 蓝牙 按钮将其断开连接。
声音太小或根本听不到。	音量可能调的太低。使用以下方法调高音量： VB1 遥控器 您的蓝牙移动设备（如果您在使用此类设备） 您的会议软件（扬声器音量） 如果依然没有声音，请确保您已在会议软件中选择了 Videobar VB1 音视频一体机作为扬声器。
声音失真。	音量可能过高。使用以下方法调低音量： VB1 遥控器 您的蓝牙移动设备（如果您在使用此类设备） 您的会议软件（扬声器音量）

问题	解决方法
<p>在计算机上调整音量时，对 VB1 的音量没有影响。</p>	<p>您的计算机可能没有将 VB1 选择为默认音频播放设备（即使您的会议软件正与 VB1 一起正常工作）。</p> <p>Windows: 单击系统托盘（任务栏中）中的扬声器图标，然后选择 Videobar VB1 音视频一体机作为播放设备。</p> <p>macOS: 单击屏幕左上角的 Apple 图标，选择 System Preferences（系统首选项），单击 Sound（声音），然后单击 Output（输出）。在设备列表中选择 Videobar VB1 音视频一体机。</p>
<p>我的计算机或移动设备连接到 VB1 时，计算机或移动设备的音量大小突然发生变化。</p>	<p>这是正常情况。当有设备连接到 VB1 时，它会自动同步所有设备的音量大小。</p>
<p>我的会议软件的麦克风、扬声器或摄像头列表中 没有 Videobar VB1 音视频一体机。</p>	<p>请等待大约 30 秒，让计算机将 VB1 注册为麦克风、扬声器和摄像头设备。</p> <p>如果仍然不起作用，请尝试以下解决方法：</p> <ul style="list-style-type: none"> 确保 USB 线缆已可靠地连接至计算机。 尝试连接至计算机的其他 USB 端口。 确保 VB1 已通电（已可靠连接到电源插座）。 确保 USB 线缆已可靠连接到 VB1 后面板上的 USB-C 端口。 尝试换一条 USB 线缆。
<p>我的会议软件显示了一条消息，提示视频工作不正常或无法启动。</p>	<p>这通常是 Videobar Configuration 配置应用程序或其他统一通信客户端已在使用和控制摄像头所致。关闭正在使用视频的其他应用程序。</p>
<p>我试着使用 Videobar Configuration WebUI 连接到 VB1 时，我的浏览器显示了安全警告。</p>	<p>这是正常现象，因为 VB1 不提供基于动态分配 IP 地址的安全证书。有关具体说明，请参阅 Videobar Configuration 配置应用程序和 WebUI（第 24 页）。（如果您不确定能否在计算机上、Web 浏览器内等位置执行某项操作，请先咨询您的 IT/系统管理员。）</p>


问题	解决方法
第二个显示屏（接自 HDMI Display 端口）上没有视频图像。	<p>尝试使用以下解决方法：</p> <ul style="list-style-type: none"> 确保显示屏的电源已打开。 确保显示屏的输入/源已设置为连接至 VB1 的 HDMI 端口。 确保 HDMI 连接线已可靠连接至 VB1 和显示屏。 确保您的计算机安装了最新的 DisplayLink 驱动程序 (displaylink.com/downloads)。 确保您的计算机已设置为“扩展”到第二个显示屏（而不是“镜像”或“复制”）。 确保在 Videobar Configuration 配置软件中启用了 DisplayLink 设置。
即使 VB1 未连接至 HDMI Display 端口，我的计算机也会将其检测为第二个显示屏。	确保您的计算机设置为“镜像”或“复制”其显示屏（而不是“扩展”到第二个显示屏）。
第二个显示屏（接自 HDMI Display 端口）上的视频图像与音频信号不同步。	在计算机的显示设置中降低视频显示的分辨率。
第二个显示屏（接自 HDMI Display 端口）上的视频图像失真。	确保使用 Bose Professional 提供的连接线或经过认证的 USB 线缆。还要确保线缆完好无损和无扭结。
我没有进行手动调节，但摄像头自己在调焦。	<p>摄像头的自动取景功能可能已启用。按下遥控器上的 自动取景 按钮将其禁用。</p> <p>有些会议软件应用程序具有内置的自动取景功能，可能会裁剪图像或更改摄像头变焦比。如果可能，请在会议软件中禁用此功能。</p>
蓝牙指示灯呈蓝色闪烁。	这是正常情况。这表示 VB1 处于 蓝牙 配对模式（VB1 侧面或遥控器上的 蓝牙 按钮可能被意外按下。）
蓝牙指示灯持续白灯亮起。	这是正常情况。这表示 VB1 已连接至 蓝牙 移动设备以播放音乐或通话，或已连接至 Videobar Mobile 应用程序。

问题	解决方法
指示灯条亮起。	如果整个灯柱亮起，则表示有活动的会议。 如果只有一小段灯柱亮起，则表示没有活动的会议。VB1 只需接通电源即可。有关详细信息，请参阅 指示灯条（第 31 页） 。
指示灯条的中间有一小段始终为绿灯稳定亮起。	这是正常情况。这表示 VB1 摄像头已打开。（如果指示灯条的其他部分为白灯常亮，则表示正在会议中。（如果指示灯条的其它部分均熄灭，则表示没有处在会议中。）

請詳閱並妥善保管所有安全、安全性及使用說明。

重要安全指示

如需有關 Bose Professional Videobar VB1 (包括配件與替換零件) 的更多資訊，請造訪 boseprofessional.com/VB1，或聯絡 Bose Professional 顧客服務。

1. 閱讀這些指示。
2. 保留這些指示。
3. 注意所有警告。
4. 遵守所有指示。
5. 請勿於近水處使用本設備。
6. 只能用乾布清潔。
7. 請勿堵塞任何通風口。請按照製造商的指示安裝。
8. 請勿在熱源附近安裝，如暖氣片、熱調節裝置、火爐或可發熱的其他設備 (包括擴大機)。
9. 防止踩踏或擠壓電源線，尤其是插頭、電源插座以及設備上的出口位置。
10. 只能使用製造商指定的附件/配件。
11.  只能使用製造商指定或搭配本裝置銷售的推車、支架、三腳架、掛架或工作台。如果使用推車，則在移動推車/設備時應格外小心，以避免因傾倒而造成傷害。
12. 在雷雨天氣時或者若長時間不使用，請拔下設備插頭。
13. 任何維修事宜均請向合格的人員諮詢。如果本設備有任何損壞，均需進行維修，例如電源線或插頭受損；液體濺入或物體落入設備內；本設備受雨淋或受潮、無法正常運作或摔落。

警告/注意



此符號表示產品外殼內存在未絕緣的危險電壓，可能造成觸電危險。



產品上若有此符號，表示本指南中提供了重要的操作和維護指示。



包含可能導致窒息危險的小零件。不適合 3 歲以下的兒童使用。



本產品含有磁性材料。請諮詢醫生以瞭解這是否會影響您的植入式醫療設備。



請僅在低於海拔 2000 公尺處使用。

所有 Bose Professional 產品的安裝必須遵守當地、州、聯邦和行業規範。安裝人員有責任確保揚聲器和安裝系統的裝設均符合適用的法規，包括當地的建築法規和規定。安裝本產品前，請諮詢擁有司法權的當地政府機關。

在定位產品時，請確保它不會阻擋顯示幕的任何通風口。請參考顯示幕的使用者指南，並依照製造商的指示進行安裝。

未經授權請勿擅自改裝本產品。

如需更換電池，請僅使用 AAA/LR03 鹼性電池。

如未妥善處理、更換不當或更換為不正確的類型，本產品所用電池可能導致著火、爆炸或化學灼傷。請勿對其充電、拆解、加熱或焚燒。

請將電池存放於兒童無法取得之處。

如果電池漏液，請避免讓液體與皮膚或眼睛接觸。如果接觸到液體，請諮詢醫生。

請勿將含有電池的產品暴露在高熱下(例如避免陽光直射、遠離火源等)。

請僅使用隨附的五金部件來安裝本產品。

僅可於下列表面進行壁掛安裝：牆板 $\geq \frac{3}{8}$ 吋 (10 公釐)

若您要安裝的表面不符合上述規範，請聯絡專業安裝人員。

本系統隨附的互連纜線不適用於入牆式安裝。請根據當地建築法規選擇正確的入牆式安裝纜線和連接線。

請勿安裝在不穩定或有潛在危險的表面，比如佈線或鋪設管道的地方。

請勿在汽車或船舶上使用本產品。

為滿足通風需求，Bose Professional 建議不要把產品放置在侷限的空間中，比如壁腔或封閉式揚聲器箱。

請勿將支架或產品放置或安裝在任何熱源附近，如火爐、暖氣片、熱調節裝置或可發熱的其他裝置(包括擴大機)。

請使產品遠離火源和熱源。請勿將明火火源(例如點燃的蠟燭)置於本產品上或本產品附近。

為降低失火或電擊風險，請勿使本產品受到雨淋、液體潑濺或受潮。

本產品不得受液體淋濺或噴灑，不得將裝有液體的物體(例如花瓶)置於本產品上或本產品附近。

本產品並不適合安裝或用於室內有水設施區域(包括但不限於：室內泳池、室內戲水區、熱水浴池、桑拿、蒸氣室與室內溜冰場等)。

請勿將產品安裝於可能結露的位置。

請勿將功率換流器用於本產品。

產品僅使用隨附的電源供應器。

如果將電源插頭或裝置聯結器作為斷路裝置，則斷路裝置應保持可隨時還原工作的狀態。

法規資訊

尺寸(高×寬×深): 48×659×102 公釐(1.9×27.0×4.0 吋)

淨重: 2.5 公斤(5.6 磅)

輸入額定值: 24 VDC ---, 1.875 A

您在安裝和操作本設備時, 身體應距離輻射體至少 20 公分。

需使用屏蔽式纜線以維持合規性。

CAN ICES-3 (B)/NMB-3(B)

產品電氣雜訊生成相關資訊(美國 FCC 規範遵循聲明)

備註: 本設備已經過測試, 符合 FCC 規則第 15 部分有關 B 類數位設備的各項限制。這些限制性規定旨在提供合理保護, 以免在住宅安裝環境造成有害干擾。本設備會產生、使用並可能輻射無線電頻率能量, 若不按照指示安裝和使用, 則可能會對無線電通訊造成有害干擾。然而, 按照指示安裝並不能保證某些安裝不會發生干擾。若本設備確實對無線電或電視接收造成有害干擾(可透過關閉和打開本設備來確定), 使用者可嘗試採取以下一種或多種措施來糾正干擾:

調整接收天線的方向或位置。

增加本設備和接收器的間距。

將本設備和接收器電源線插入不同線路上的插座中。

請諮詢經銷商或有經驗的無線電/電視技術人員以獲得協助。

未經 Bose Professional 明確批准, 擅自變更或修改本設備會讓使用者操作本設備的權利失效。

本設備符合 FCC 規則第 15 部分規定與加拿大 ISED 免執照 RSS 標準。

本設備的運作應符合以下兩項條件: (1) 本設備不會造成有害干擾, (2) 本設備必須承受任何接收到的干擾, 包括可能造成設備無法正常運作的干擾。

低功率電波輻射性電機管理辦法

第十二條: 根據「低功率電波輻射性電機管理辦法」, 經型式認證合格之低功率電波輻射性電機, 若非取得 NCC 許可, 任何公司、商號或使用者均不得擅自變更頻率、加大傳輸功率或變更原設計之特性及效能。

第十四條: 低功率電波輻射性電機之使用不得影響飛航安全及干擾合法通訊; 經發現有干擾現象時, 應立即停用, 並改善至無干擾時方得繼續使用。前項合法通訊, 指依電信法規定作業之無線電通訊。

低功率電波輻射性電機須忍受合法通訊或工業、科學及醫療用電波輻射性設備之干擾。



Bose Professional 在此聲明本產品嚴格遵守 2014/53/EU 指令的基本要求和和其他相關規定, 以及所有其他適用的歐盟指令要求。符合聲明全文載於: www.Bose.com/compliance。

本產品遵守所有適用的 2016 電磁相容性規定及其他所有適用的英國法規。

符合聲明全文載於: www.Bose.com/compliance。

Bose Professional 在此聲明本產品遵守 2017 無線電設備法規中的基本要求和所有適用的英國法規。符合聲明全文載於: www.Bose.com/compliance。

本設備在以 5150-5250 MHz 運作的情況下, 僅可於室內使用, 否則可能會對同通道移動衛星系統產生有害干擾。

歐洲:

運作頻段為 2400 至 2483.5 MHz:


Bluetooth/Wi-Fi: 最大傳輸功率低於 20 dBm EIRP。

Bluetooth 低功耗: 最大功率譜密度小於 10 dBm/MHz EIRP。

運作頻段為 5150 至 5350 MHz 和 5470 至 5725 MHz:

Wi-Fi: 最大傳輸功率低於 20 dBm EIRP。

此設備在下表中列出的所有歐盟成員國中運作於 5150 至 5350 MHz 頻率範圍時, 僅限室內使用。

	比利時	丹麥	愛爾蘭	英國 (北愛爾蘭)	法國	賽普勒斯	斯諾 伐克	匈牙利	奧地 利	瑞典	保加 利亞	德國	葡萄 牙	薩爾 瓦多
	克羅 地亞	拉脫 維亞	立陶 宛	馬爾他	波蘭	捷克	愛沙 尼亞	芬蘭	西班 牙	義大 利	羅馬 尼亞	盧森 堡	荷蘭	塞拉 里昂



此符號表示本產品不得以家庭廢棄物方式丟棄，而應將其送到合適的收集設施進行回收。妥善處理及回收有助於保護天然資源、人類健康和環境。如欲獲得有關處理和回收本產品的更多資訊，請聯絡當地政府機關、廢棄物處理服務或您購買本產品的商家。



請遵守任何當地規章，正確處理廢舊電池。請勿將其焚化。



中國有害物質限制使用表

有毒或有害物質或元素的名稱及成分						
有毒或有害物質及元素						
零件名稱	鉛 (Pb)	汞 (Hg)	鎘 (Cd)	六價鉻 (CR(VI))	多溴化聯苯 (PBB)	多溴聯苯醚 (PBDE)
印刷電路板	X	0	0	0	0	0
金屬零件	X	0	0	0	0	0
塑膠零件	0	0	0	0	0	0
揚聲器	X	0	0	0	0	0
連接線	X	0	0	0	0	0

此表格係根據 SJ/T 11364 所製作。

O：表示用於此零件的所有同類材料中，此有毒或危險物質低於 GB/T 26572 中的限制規定。

X：表示至少一種用於此零件的同類材料中，此有毒或危險物質高於 GB/T 26572 中的限制規定。

台灣有害物質限用表

設備名稱：Bose Videobar VB1 型號：433869						
限用物質及其化學符號						
組件	鉛 (Pb)	汞 (Hg)	鎘 (Cd)	六價鉻 (Cr+6)	多溴聯苯 (PBB)	多溴二苯醚 (PBDE)
印刷電路板	-	○	○	○	○	○
金屬零件	-	○	○	○	○	○
塑膠零件	○	○	○	○	○	○
揚聲器	-	○	○	○	○	○
連接線	-	○	○	○	○	○

備註 1：「○」表示限用物質的濃度百分比含量未超過參考值。

備註 2：「-」表示限用物質屬於豁免項目範圍。

製造日期：序號第八位數代表製造年份；「3」代表 2013 或 2023。

中國進口商：Bose 電子（上海）有限公司，上海市閘行區顧戴路 2337 號豐樹商業城塔樓 D 第 6 層（郵編：201100）

歐盟進口商：Bose Products B.V., Gorslaan 60, 1441 RG Purmerend, The Netherlands

墨西哥進口商：Bose de México, S. de R.L. de C.V., Paseo de las Palmas 405-204, Lomas de Chapultepec, 11000 México, D.F. 電話號碼：+5255 (5202) 3545

台灣進口商：Bose 台灣分公司，台灣 104 台北市民生東路三段 10 號 9 樓 A1 室。
電話號碼：+886-2-2514 7977

英國進口商：Bose Limited, Bose House, Quayside Chatham Maritime, Chatham, Kent, ME4 4QZ, United Kingdom

Bose Corporation, Framingham, MA 01701, U.S.A. 1-877-230-5639

產品功率狀態表

根據能源相關產品的生態設計要求指令 (2009/125/EC)，本產品符合下列規範或文件：條例 (EC) 1275/2008 號根據條例 (EU) 801/2013 號修訂。

必要的電源狀態資訊	電源模式	
	待機	網路待機
在 230 V/50 Hz 輸入的情況下，指定電源模式下的功耗	≤ 0.5 W	Wi-Fi、乙太網路、 <i>Bluetooth</i> ≤ 2.0 W
設備自動切換進入模式的時間	≤ 2.5 小時	≤ 20 分鐘
在 230 V/50 Hz 輸入，連接所有有線網路連接埠並啟動所有無線網路連接埠的情況下，網路待機的功耗	≤ 2.0 W	≤ 2.0 W
網路連接埠取消啟動/啟動流程。 取消啟動所有網路將啟用待機模式。	<p>Wi-Fi: 可藉由還原為原廠預設設定來停用此功能：同時長按遙控器上的原位與自動取景功能按鍵 5 秒鐘，或同時長按裝置側面的靜音與 <i>Bluetooth</i> 按鍵 5 秒鐘。透過 Videobar Mobile 應用程式啟動。</p> <p>Ethernet (乙太網路): 拔出乙太網路線可取消啟動。插入乙太網路線可啟動。</p> <p>Bluetooth: 可藉由還原為原廠預設設定來停用此功能：同時長按遙控器上的原位與自動取景功能按鍵 5 秒鐘，或同時長按裝置側面的靜音與 <i>Bluetooth</i> 按鍵 5 秒鐘。與 <i>Bluetooth</i> 音源配對即可啟動。</p>	

外部電源供應器技術資訊

根據能源相關產品的生態設計要求指令 (2009/125/EC)，本產品隨附的外部電源供應器符合下列規範或文件：歐盟委員會法規 (EU) 2019/1782。

製造商	Bose Products B.V.
商業註冊編號	36037901
地址	Gorslaan 60 1441 RG Purmerend The Netherlands
機型編號	DT24V-1.8C-DC
輸入電壓	100 V-240 V
輸入交流頻率	50 Hz/60 Hz
輸出電壓	24 VDC
輸出電流	1.9 A
輸出功率	45 W
平均運作效率	89.9%
低負載效率 (10%)	87.0%
空載功率消耗	0.07 W

授權與法律資訊

Bose 為 Bose Corporation 的商標。



DisplayLink® 為 DisplayLink Corp. 於歐盟、美國與其他國家/地區的註冊商標。



HDMI、HDMI High-Definition Multimedia Interface 和 HDMI 標誌是 HDMI Licensing Administrator, Inc. 的商標或註冊商標。

「Android」和「Google Play」是 Google LLC 的商標。

Bluetooth® 文字標記和徽標是由 Bluetooth SIG, Inc. 所擁有的註冊商標，Bose Professional 對上述標記的任何使用都遵守許可規定。

macOS 為 Apple Inc. 的商標。

USB Type-C® 與 USB-C® 為 USB Implementers Forum 的註冊商標，僅適用於根據並符合 USB Type-C® 連接線與連接器規範的產品。

Wi-Fi 是 Wi-Fi Alliance® 的註冊商標。

所有其他商標均是其各自所有者的財產。

若要檢視 Videobar VB1 產品組件中隨附的第三方軟體套件所適用之授權揭露：

Videobar VB1: 下載並開啟 **Videobar Mobile** 行動應用程式，輕觸 **Settings** (設定) 圖示，然後輕觸 **End User License Agreement** (使用者授權合約)。

Videobar Mobile 行動應用程式: 輕觸 **Settings** (設定) 圖示，然後輕觸 **End User License Agreement** (使用者授權合約)。

Videobar Configuration 應用程式或 WebUI: 按一下 **Settings** (設定) 圖示，然後按一下 **End User License Agreement** (使用者授權合約)。

Videobar Administration 應用程式: 按一下選單 (☰)，按一下 **About Videobar Administration** (關於 Videobar Administration)，然後按一下 **End User License Agreement** (使用者授權合約)。

Bose Professional 隱私權政策可於 boseprofessional.com 取得。

©2023 Transom Post OpCo LLC。未經事先書面許可，不得複製、修改、散佈或以其他方式使用本資料的任何部分。

請填寫以下內容，留作記錄。

序號與型號位於產品的後面板。

序號: _____

型號: _____

保固資訊

此產品享有有限保固。

如需保固詳細資料，請造訪：boseprofessional.com/warranty。

包裝盒內容物

目錄	10
----------	----

安裝

一般安裝準則	12
將 VB1 安裝於桌面、層架或斗櫃	13
壁掛安裝 VB1	14
攝影機隱私護蓋	19
連接線連接	20
連接線整理	21

軟體應用程式

Videobar Configuration 應用程式與 WebUI	24
Videobar Administration 應用程式	26
Videobar Mobile 應用程式	26

產品詳細資料

面板	27
前面板	27
側面板	28
後面板	29
遙控器	30
燈條	31

操作

開始進行會議.....	34
調整攝影機.....	35
重設攝影機.....	35
調整平移與傾斜角度.....	35
調整縮放率.....	36
儲存與恢復預設.....	36
啟用/停用自動取景功能.....	37
管理音訊位準.....	38
本機音訊播放.....	38
會議音訊.....	38
調整音訊位準.....	38
管理 <i>Bluetooth</i> 設備.....	39
將 <i>Bluetooth</i> 設備與 VB1 進行配對.....	39
取消 VB1 與 <i>Bluetooth</i> 設備的連接.....	39
低耗電模式.....	40

維護與保養

清潔 VB1.....	41
替換零件與配件.....	41
有限保固.....	41
序號位置.....	41
還原為原廠預設設定.....	42
忘記密碼.....	42
更新軟體.....	42

疑難排解

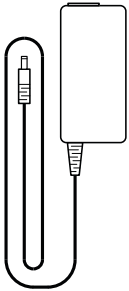
請先嘗試下列各項解決方法.....	43
-------------------	----

包裝盒內容物

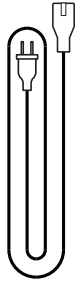
目錄



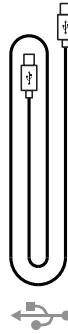
Videobar VB1



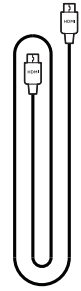
電源供應器



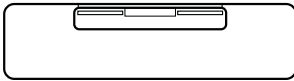
電源線



USB Type-C®
連接線

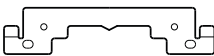


HDMI 連接線



桌架

A 桌架螺絲 (2)



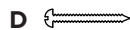
壁掛支架



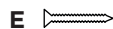
B 大型牆面錨栓 (4)



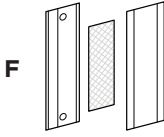
C 牆面錨栓圖釘

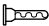


D 平頭螺絲 (2)




E 扁頭螺絲 (2)

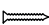


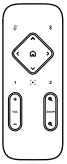
G  小型牆面錨栓 (2)

H  小型扁頭螺絲 (2)

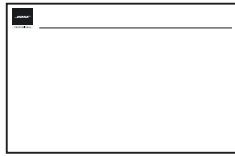


J  小型牆面錨栓

K  小型扁頭螺絲



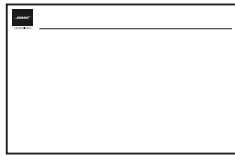
遙控器



快速入門指南



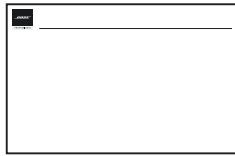
AAA/LR03 電池 (2)



桌上安裝安裝指南



攝影機隱私護蓋



壁掛安裝指南



USB-C 轉 A 轉接器



2 針腳 Euroblock 連接端子



安全指示指南

安裝

一般安裝準則

使用時，請勿以 VB1 的正面、背面或頂部朝下放置。

請勿在 VB1 機身上放置任何物品。

請避免將 VB1 放置在靠近空調系統的通風口、暖爐或暖氣機、風扇或其他會產生噪音或振動的來源之處。

為了避免無線干擾，請將其他無線設備與 VB1 保持 **0.3-0.9 公尺 (1-3 呎)** 的距離。請勿將 VB1 放置在金屬櫃內，並遠離金屬櫃、其他音訊/視訊組件以及直接熱源。

請確保附近有交流電源插座。

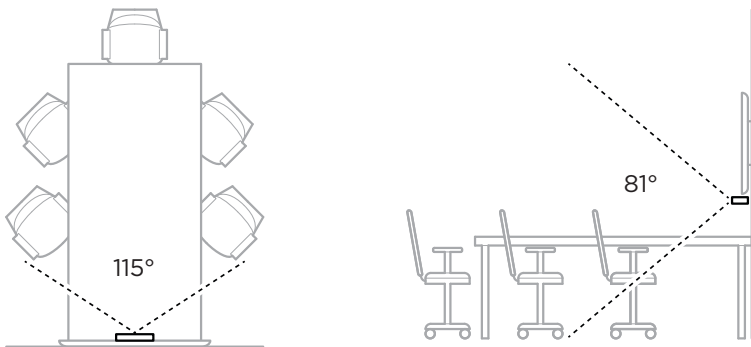
請將 VB1 放置在電視的正下方（建議）或正上方，並以網罩面朝向房間。

為獲得最佳音質，請勿將 VB1 放置在封閉的機櫃內或斜放在角落。

請確保所有與會者的座位均位在攝影機的視野範圍之內。為使自動取景功能可正常運作，所有與會者均必須位在攝影機的視野範圍之內（請參見**啟用/停用自動取景功能（第 37 頁）**）。

VB1 攝影機的視野範圍：水平 115°、垂直 81°。

請確保會議室在開會期間有充足的照明。

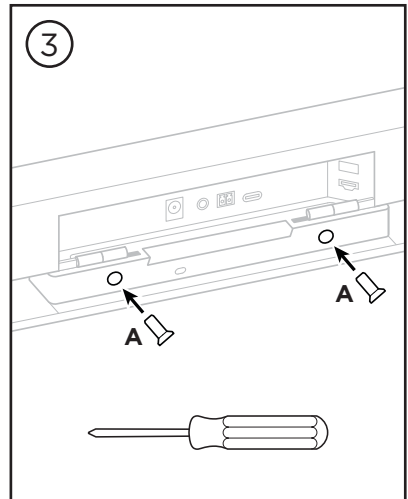
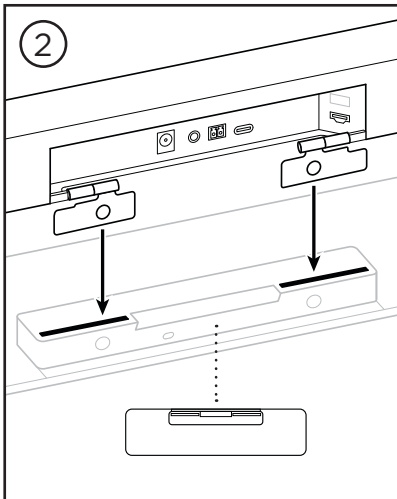
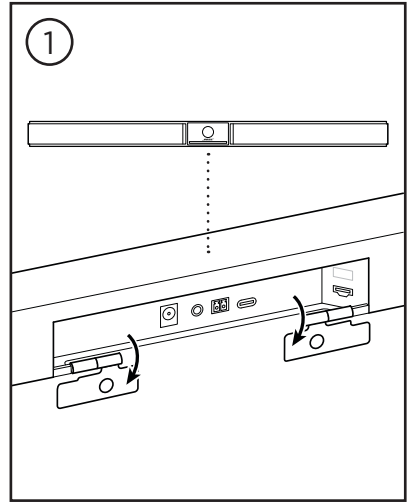
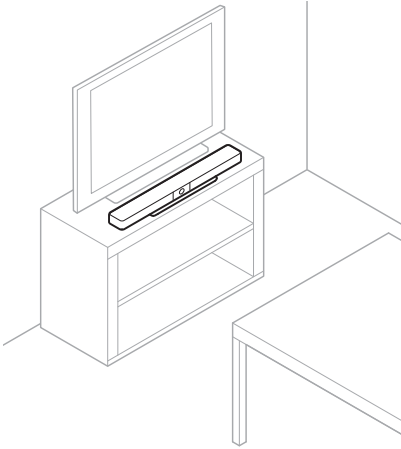


將 VB1 安裝於桌面、層架或斗櫃

為獲得最佳效能，在將 VB1 安裝於桌面、層架或斗櫃上時，請遵循下列建議：

請將 VB1 設置在專用的桌架上，並放置於穩定的水平表面上。

調整 VB1 前方的位置，避免支撐台面出現在攝影機的畫面之中。請確保會議室在開會期間有充足的照明。



壁掛安裝 VB1

為獲得最佳效能，在將 VB1 安裝於牆面上時，請遵循下列建議：

在決定要將壁掛支架固定於牆面上的何處時，請確保支架周圍保有足夠的空間可安置 VB1：

壁掛支架的上方必須保留至少 **3.8 公分 (1.5 吋)** 的空間。這可以方便您將 VB1 「掛上」支架 (步驟 7)，並調整 VB1 的角度。此外，這也能提供足夠的空間，可方便您使用 VB1 後面板的連接功能。

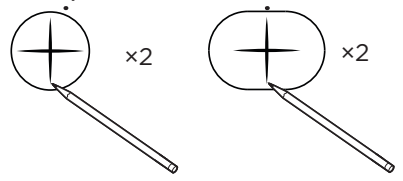
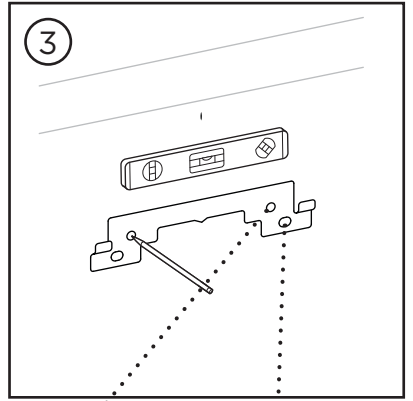
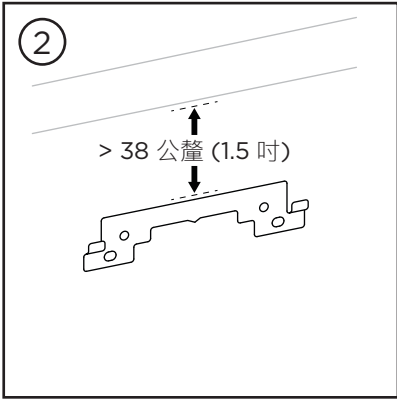
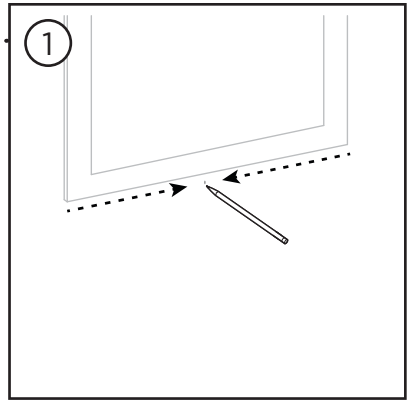
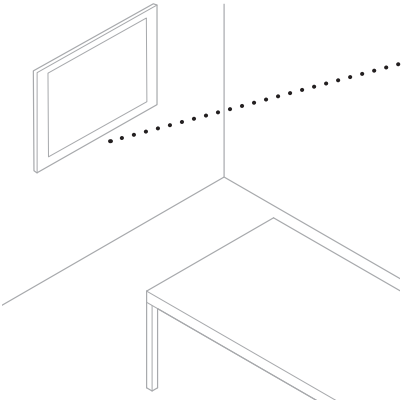
壁掛支架的下方必須保留至少 **11.4 公分 (4.5 吋)** 的空間。這可以在安裝的過程中方便您以垂直方式懸掛 VB1，以插入連接線並調整 VB1 的角度。

安裝空間的寬度必須至少有 **73.7 公分 (29.0 吋)**，並將壁掛支架置中。這是為了能容納 VB1 且方便您使用 VB1 側面的聲學導氣孔及按鍵，而必須保留的額外空間 (左右兩側各保留 **2.5 公分 (1.0 吋)** 的空間)。

請僅使用隨附的五金部件來安裝本產品。

備註： 需要一些額外工具。

備註： 請詳閱隨附的重要安全指示後再繼續。



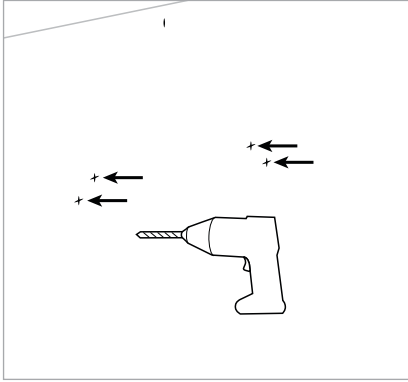
4

警告：



請勿安裝在不穩定或有潛在危險的表面，比如佈線或鋪設管道的地方。若無法確定，請聯絡專業安裝人員。

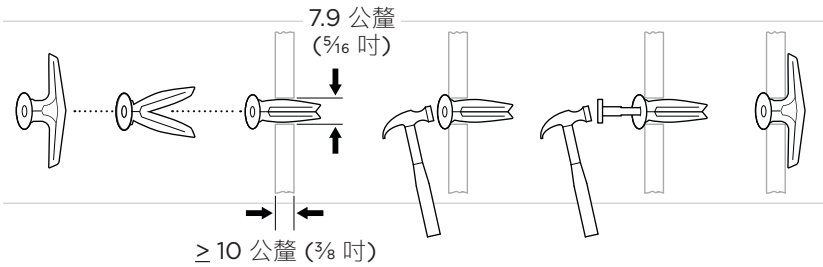
隨附的五金部件不適用於磚石砌作表面。



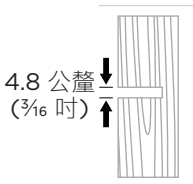
壁板
7.9 公釐 ($\frac{5}{16}$ 吋)

木立柱/金屬立柱
4.8 公釐 ($\frac{3}{16}$ 吋)

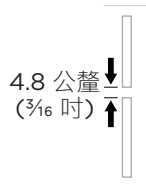
壁板

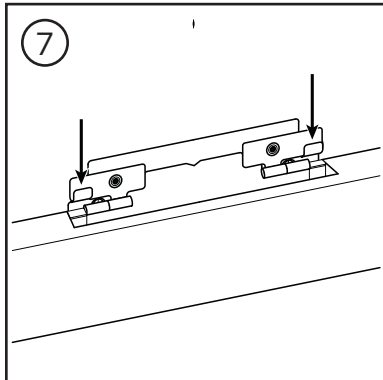
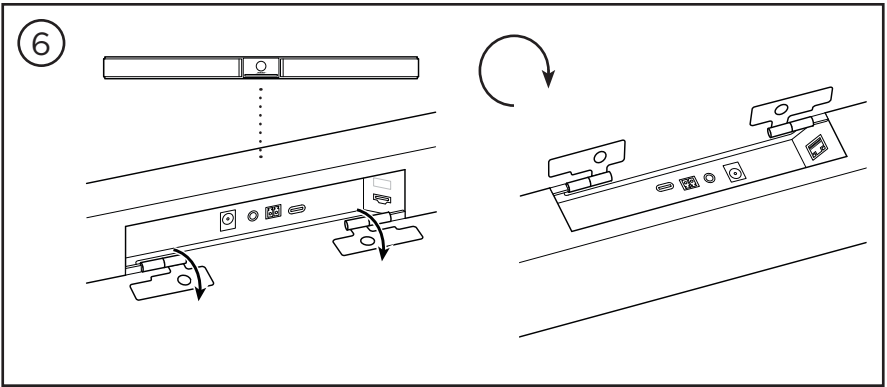
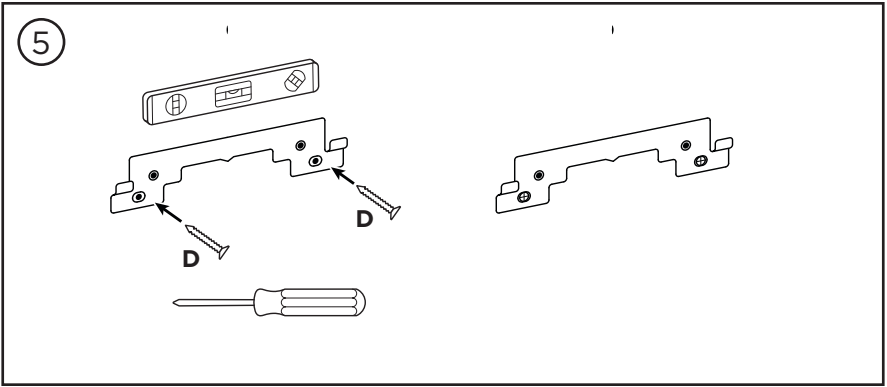


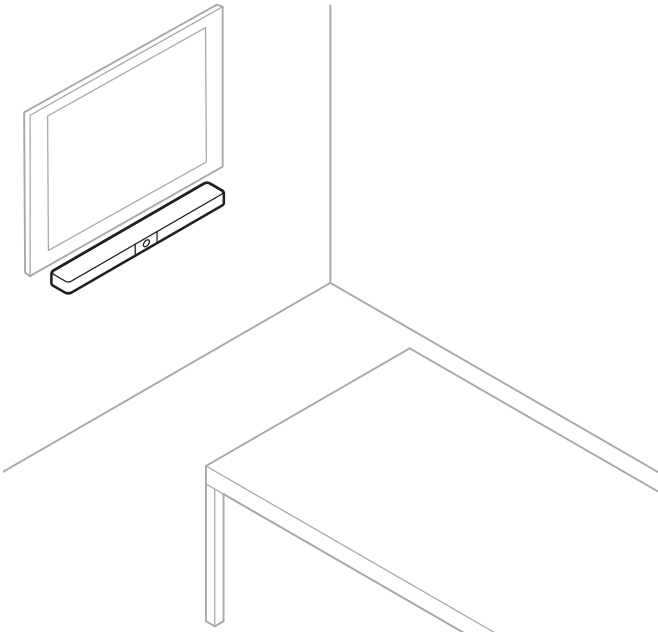
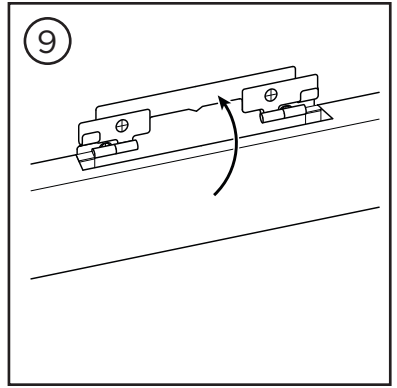
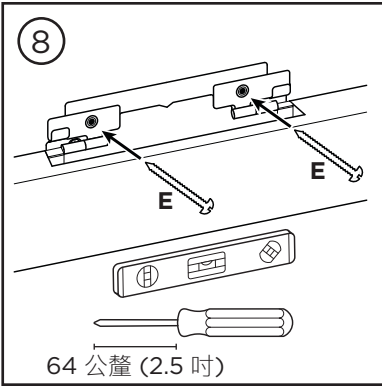
木立柱



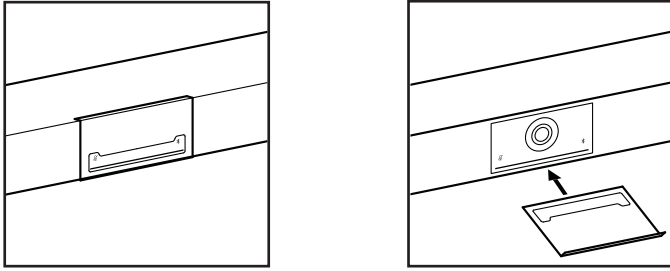
金屬立柱







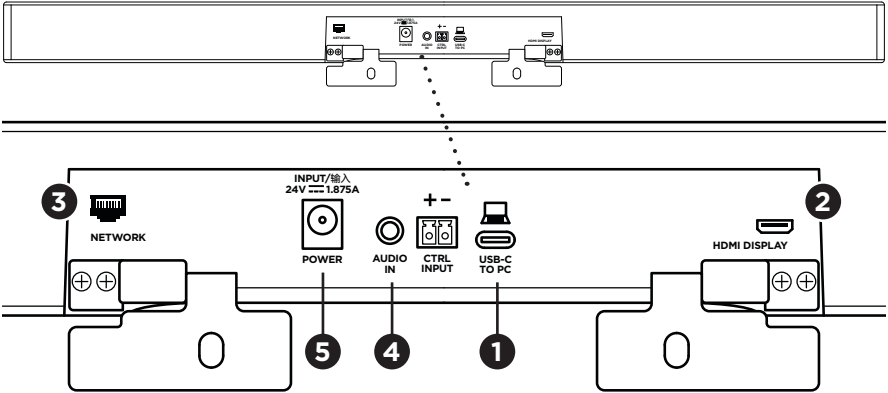
攝影機隱私護蓋



隨附的攝影機隱私護蓋可完全遮蔽攝影機的拍攝視野，但不會遮蓋指示燈與燈條。

這款護蓋採用磁吸式設計，安裝於 VB1 鏡頭上時，可以保持定位（如圖所示）。不使用時，請將護蓋吸附於鏡頭下方的底部表面上，以避免遺失。

連接線連接



1. 將隨附的 USB-C® 連接線連接至 **USB-C** 連接埠。

將這條連接線的另一端留在桌面上，以方便會議主持人能在每次開會時連接（或拔除）電腦。

備註：如果會議中使用的電腦僅具備 USB-A 連接埠，請使用隨附的 USB-C 轉 A 轉接器接上 USB-C 連接線的電腦端。

2. **選配：**您可以使用隨附的 HDMI 連接線，將 **HDMI Display** 連接埠連接至視訊顯示幕或螢幕的 HDMI 連接埠。

備註：主機電腦必須安裝最新版本的 DisplayLink® 驅動程式，且 VB1 必須啟用 DisplayLink 設定（預設為停用），才能使 HDMI 輸出開始運作。請前往 displaylink.com/downloads 下載最新版本的驅動程式。您可以使用 Videobar Configuration 應用程式、WebUI 或 Videobar Administration 應用程式，來啟用或停用 DisplayLink 設定（請參見軟體應用程式（第 23 頁））。

3. **選配：**如果您要在網路中使用 VB1，請使用 Cat 5 連接線（未隨附）將 **Network** 連接埠連接至 LAN 連接埠或網路交換機等其他裝置。

4. **選配：**若要獲得顯示幕類比音訊輸出的輔助音訊，請使用 3.5 mm (1/8 吋) 立體聲連接線（未隨附）連接至 **Audio In** 插孔。

插腳輸出配置：

1. 前端 = 左側音訊輸入
2. 環圈 = 右側音訊輸入
3. 管身/環圈 2 = 接地



5. 將隨附的電源供應器連接至 **Power** 輸入。

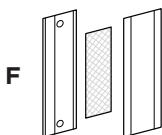
6. 使用隨附的電源線將電源供應器連接至電源插座。連接電源後，VB1 將會自動開啟電源。

我們提供了幾款軟體應用程式，可協助您設定 Videobar VB1，以獲得最佳效能。請參見軟體應用程式（第 23 頁），以瞭解更多資訊。

如需使用 USB 延長線，請造訪 boseprofessional.com/VB1，查看建議搭配 VB1 使用的第三方 USB 延長線清單。

連接線整理

隨附的連接線整理護蓋，可用於將全部的永久用配線收納並固定於牆面上。



G 小型牆面錨栓 (2)

H 小型扁頭螺絲 (2)

若要安裝連接線整理護蓋：

1. 在牆面上找出您所想要的位置，將連接線護蓋背面 **(F)** (上有螺絲孔) 安置其上。
2. 在牆面上標示出兩個螺絲孔的中心點，然後取下連接線護蓋背面。
3. 如果這部分牆面的後方設有立柱，請在牆面上鑽兩個 **2.4 公釐 (3/32 吋)** 的孔。
如果這部分牆面的後方沒有立柱，請在牆面上鑽兩個 **5 公釐 (3/16 吋)** 的孔。
4. 如果這部分牆面的後方沒有立柱，請在牆面上釘入兩個小型牆面錨栓 **(G)**。
5. 將連接線護蓋背面 **(F)** 與螺絲孔對齊。
6. 將兩個小型扁頭螺絲 **(H)** 鎖入連接線護蓋背面，將其固定於牆面上。
7. 將連接線收齊，並沿著 (牆面上的) 連接線護蓋背面的「導軌」整理好。
8. 撕除連接線護蓋泡棉 **(F)** 上的黏膠帶。
9. 將泡棉條靠著所收齊的連接線，緊緊貼上連接線護蓋背面。
10. 將連接線護蓋正面 **(F)** 蓋在收齊的連接線與泡棉上，並使其緊緊黏附。



若要將電源線固定於牆面上：

1. 在牆面上決定您想要固定電源線的位置。
2. 在牆面上標示出一個螺絲孔。
3. 如果這部分牆面的後方設有立柱，請在牆面上鑽一個 **2.4 公釐 (3/32 吋)** 的孔。
如果這部分牆面的後方沒有立柱，請在牆面上鑽一個 **5 公釐 (3/16 吋)** 的孔。
4. 如果這部分牆面的後方沒有立柱，請在牆面上釘入一個小型牆面錨栓 (**J**)。
5. 將連接線束帶的扣眼環 (**I**) 與螺絲孔對齊。
6. 將小型扁頭螺絲 (**H**) 鎖入連接線束帶的扣眼環，將其固定於牆面上。

軟體應用程式

我們提供了三款可協助您設定 Videobar VB1 的軟體應用程式：

Videobar Configuration 軟體可用來安裝及設定本設備（適用於 Windows 與 macOS 系統，亦可透過網路瀏覽器來使用）。

功能：

控制攝影機：鏡頭平移、傾斜、縮放、預設及自動取景功能

受密碼保護的管理及設定功能

安裝韌體更新、建立與套用設定檔、啟用或停用 HDMI 輸出 (DisplayLink)、調整網路設定、*Bluetooth*、攝影機進階設定及其他功能

接收 Videobar 設備軟體更新通知

適用於 Windows 與 macOS 系統，亦可透過網路瀏覽器來使用（可提供桌面版軟體的完整功能，需要連接網路）

Videobar Administration 軟體可用來進行遠端管理，為單一設備或全公司的多台設備進行調整，並可檢視設備的即時狀態

功能：

可讓您從單一位置查看設備狀態，並控制所有 Bose Professional Videobar 設備的重要功能

可為所有設備或特定設備排程韌體更新作業

可依設備或設備群組來檢視、編輯、儲存各項參數

可瀏覽網路中的所有設備，並可建立、儲存及套用設備設定檔

適用於 Windows 系統

Videobar Mobile 行動應用程式可讓會議室內的任何人使用自己的智慧型手機來控制 Videobar VB1，包括調整音量、靜音、鏡頭平移、傾斜、縮放、縮放預設及 *Bluetooth* 配對功能。

功能：

可讓您透過行動設備即時控制音量、靜音、鏡頭平移、傾斜、縮放、縮放預設及 *Bluetooth* 配對功能

可利用 *Bluetooth* 配對功能來尋找 Videobar VB1 並進行通訊

適用於 iOS 與 Android 系統

Videobar Configuration 應用程式與 WebUI

若要下載並安裝 Videobar Configuration 應用程式至您的電腦：

1. 使用您的電腦造訪 **boseprofessional.com/VB1**。
2. 下載並安裝 **Videobar Configuration Software** 應用程式。

若要存取並使用 Videobar Configuration 應用程式來設定 VB1：

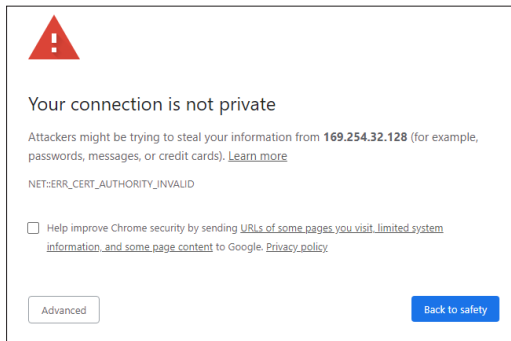
1. 將您的電腦連接至 VB1 的 **USB-C** 連接埠。
2. 開啟 **Videobar Configuration** 應用程式。
3. 若要存取 Administrator (管理員) 配置設定，以設定 VB1，請按一下導覽面板中的 **Administrator** (管理員) 圖示，然後輸入原廠預設密碼：**Bose123!**

備註： 建議您在取得存取權限之後變更密碼。

若要存取並使用瀏覽器介面的 Videobar Configuration WebUI，透過網路連線來設定 VB1：

1. 請將您的電腦與 VB1 連接至同一個網路。
2. 請透過電腦在網路瀏覽器的網址列中，輸入 VB1 的 IP 位址，然後按下 **Enter** (確定)。(您可以透過 USB 使用 Videobar Configuration 應用程式來確定 VB1 的 IP 位址；或者，亦可使用 Videobar Administration 應用程式在網路中自動尋找 VB1。) Videobar Configuration WebUI 會隨即開啟。

備註： 在某些瀏覽器中，可能會顯示如下的安全警告訊息：



此為正常情況，而非存在安全風險。按一下 **Advanced** (進階)。(如果您不確定要如何以電腦、網路瀏覽器或其他方式執行操作，請先詢問 IT/系統管理員。)

接著，系統會顯示以下訊息：

This server could not prove that it is **169.254.32.128**; its security certificate is not trusted by your computer's operating system. This may be caused by a misconfiguration or an attacker intercepting your connection.

[Proceed to 169.254.32.128 \(unsafe\)](#)

此為正常情況。請按一下 **Proceed to...** (繼續進行) 連結，以前往 Videobar Configuration WebUI 登入頁面。

原廠預設管理員密碼為：**Bose123!**

備註：建議您在取得存取權限之後變更密碼。

若要存取 Videobar Configuration 應用程式或 WebUI 的說明檔案，請參見應用程式或 WebUI 中的 **Settings** (設定) 頁面。

Videobar Administration 應用程式

若要下載 Videobar Administration 軟體：

1. 使用您的電腦造訪 **boseprofessional.com/VB1**。
2. 下載並安裝 **Videobar Administration** 應用程式。

若要存取並使用 Videobar Administration 應用程式透過網路連線來設定一或多台 VB1：

1. 請將您的電腦與每台 VB1 連接至同一個網路。
2. 開啟 **Videobar Administration** 應用程式。

若要存取 Videobar Administration 應用程式的說明檔案，請參見應用程式中的 **About Videobar Administration** (關於 Videobar Administration) 頁面。

Videobar Mobile 應用程式

Videobar Mobile 應用程式可在您的行動設備上提供紅外線遙控器的各項功能，以方便您操控。若要下載 Videobar Mobile 應用程式：

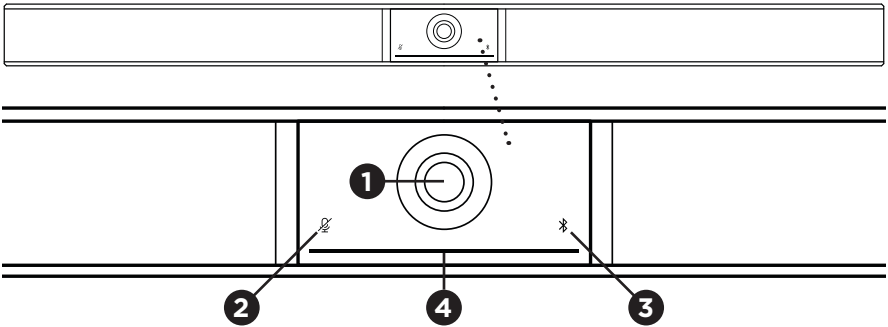
1. 在 App StoreSM 或 Google PlayTM 中搜尋並下載 **Videobar Mobile** 應用程式。
2. 在行動設備上開啟應用程式，並啟用位置追蹤功能。
3. 在行動設備上連接至 **Videobar VB1**。

若要存取 Videobar Mobile 應用程式的說明檔案，請參見應用程式中的 **Settings** (設定) 頁面。

產品詳細資料

面板

前面板



1. 攝影機

2. 靜音指示燈：麥克風關閉時，此指示燈會亮起紅光。

3. **Bluetooth** 指示燈：此指示燈會顯示 VB1 *Bluetooth* 連接的目前狀態：

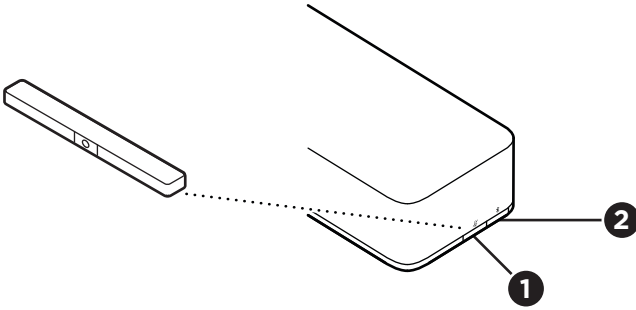
緩慢閃爍藍光：VB1 已準備好與 *Bluetooth* 行動設備進行配對。

恆亮白光：VB1 已連接 Videobar Mobile 應用程式或行動設備，可進行線上會議與媒體播放。

指示燈熄滅：沒有 *Bluetooth* 連接。

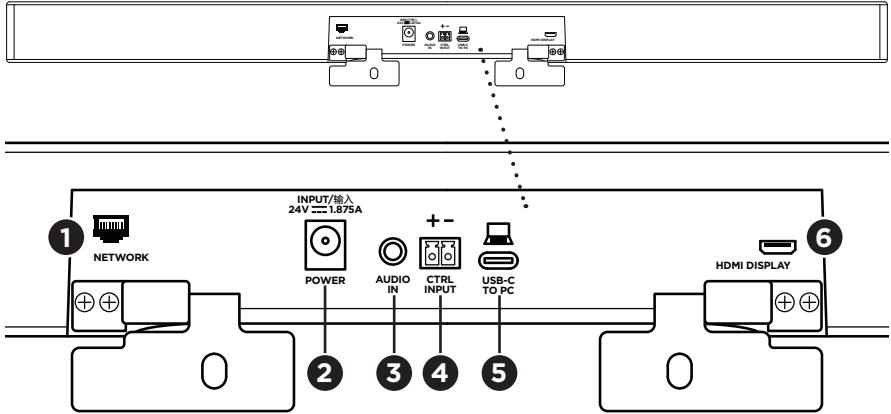
4. 燈條：請參見燈條 (第 31 頁)，以瞭解更多相關資訊。

側面板



1. **靜音按鍵**：按下此按鍵可使 VB1 麥克風靜音或取消靜音。
2. **Bluetooth 按鍵**：長按此按鍵可進入配對模式。

後面板



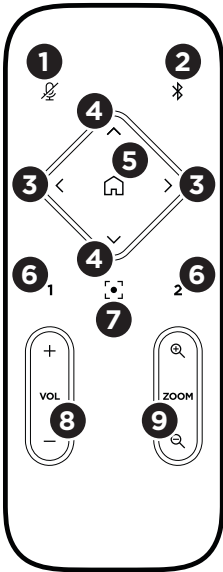
1. **Network (網路)**: 此 1 Gbps RJ45 連接可用於進行配置及/或監控。(此連接埠位於後面板的內側。)
2. **Power (電源)**: 可連接隨附的電源供應器。
3. **Audio In (音訊輸入)**: 可使用 3.5 mm (1/8 吋) 立體聲連接線 (未隨附) 連接至選用的音訊源 (例如所連接的螢幕或顯示幕的音訊輸出)。
4. **Ctrl Input**: 可使用隨附的 2 針腳 Euroblock 連接端子, 將連接埠用於靜音取代。根據預設, 此輸入為低態有效, 且包含內部上拉電阻。
5. **USB-C**: 此連接埠可用於連接會議所使用的電腦。
6. **HDMI Display**: 可使用隨附的 HDMI 連接線, 從此連接埠連接至顯示幕。(此連接埠位於後面板的內側。)

備註: 主機電腦必須安裝最新版本的 DisplayLink® 驅動程式, 且 VB1 必須啟用 DisplayLink 設定 (預設為停用), 才能使 HDMI 輸出開始運作。請前往 displaylink.com/downloads 下載最新版本的驅動程式。您可以使用 Videobar Configuration 應用程式、WebUI 或 Videobar Administration 應用程式, 來啟用或停用 DisplayLink 設定 (請參見軟體應用程式 (第 23 頁))。

遙控器

Videobar VB1 隨附一支紅外線遙控器，可用於調整攝影機與音量設定、將麥克風靜音，並可開啟 VB1 的 *Bluetooth* 配對模式。

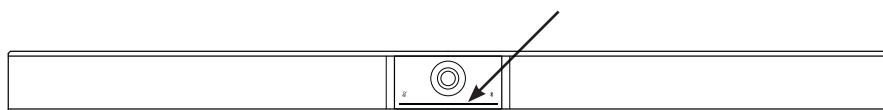
備註：軟體應用程式中也具備遙控器的完整功能，可方便您設定 Videobar VB1。請參見軟體應用程式 (第 23 頁)，以瞭解更多資訊。









1. **靜音：**可用於將 VB1 麥克風靜音/取消靜音。
2. **Bluetooth：**長按 3 秒鐘即可進入配對模式。若已配對某台設備，長按此按鍵即可取消配對。
3. **攝影機鏡頭平移：**按下此按鍵即可左右平移攝影機鏡頭 (< 或 >)，長按則可持續調整。
4. **攝影機鏡頭傾斜：**按下此按鍵即可上下傾斜攝影機鏡頭 (▲ 或 ▼)，長按則可持續調整。
5. **原位預設：**可用於將鏡頭平移、傾斜與縮放 (PTZ) 攝影機設定回復至原位。您可以在 Videobar Configuration 應用程式中變更原位設定。
6. **預設 1 與 2：**按下按鍵即可選擇攝影機的預設 1 或預設 2 模式。長按則可將目前的鏡頭平移、傾斜與縮放 (PTZ) 攝影機設定儲存為預設 1 或預設 2。
7. **自動取景功能：**可開啟/關閉自動取景功能。開啟此功能後，鏡頭平移、傾斜與縮放 (PTZ) 攝影機設定會自動進行調整，隨時將視野中的所有與會者涵蓋在內。
8. **音量：**可用於調整音量大小 (+ 或 -)。
9. **攝影機鏡頭縮放：**可放大或縮小攝影機鏡頭的縮放率 (+ 或 -)。




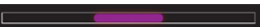
燈條

燈條位於 VB1 攝影機下方。



顯示外觀	活動	系統狀態
	燈條中央的一小段恆亮白光。	電源已開啟，並處於「喚醒」狀態。
	全部的指示燈均恆亮白光。	會議進行中。攝影機處於關閉狀態。
	燈條中央恆亮綠光，兩側恆亮白光。	會議進行中。攝影機已開啟，自動取景功能處於關閉狀態。
	燈條中央的一小段恆亮綠光，兩側恆亮白光。	會議進行中。攝影機與自動取景功能均已開啟。
	燈條中央的一小段恆亮綠光，兩側燈光熄滅。	攝影機已開啟。沒有會議在進行中。
	燈條的最左端閃爍一次 (如果沒有會議在進行中，會亮起白光/開啟；如果有會議在進行，則會熄滅)。	音量降低一級。
	燈條的最右端閃爍一次 (如果沒有會議在進行中，會亮起白光/開啟；如果有會議在進行，則會熄滅)。	音量增加一級。

顯示外觀	活動	系統狀態
	燈條最左端的一小段閃爍一次 (如果沒有會議在進行中, 會亮起白光/開啟; 如果有會議在進行, 則會熄滅)。	已達最低音量。
	燈條最右端的一小段閃爍一次 (如果沒有會議在進行中, 會亮起白光/開啟; 如果有會議在進行, 則會熄滅)。	已達最高音量。
	燈條中央的一小段快速閃爍白光。	VB1 正在搜尋 Wi-Fi 網路。
	燈條中央的一小段閃爍一次白光, 然後熄滅。	VB1 已連接至 Wi-Fi 網路。 這也同時表示 VB1 已偵測到連接主機 USB 連接埠或 Audio In 的新音訊源。
	燈條中央的一小段恆亮紅光。	VB1 由於韌體/軟體問題而無法正常運作。請聯絡 Bose Professional 技術支援服務。
	燈條中央的一小段閃爍琥珀光。	VB1 由於連接問題而無法正常運作。請確認 VB1 是否已連接至網路。

顯示外觀	活動	系統狀態
	<p>白光在燈條的左右兩端之間來回移動。</p>	<p>VB1 正在下載並安裝韌體更新。請勿切斷 VB1 的電源或網路連接。更新作業完成後，燈條會停止移動，且 VB1 會發出提示音。</p>
	<p>燈條中央的一小段反覆閃爍白光。 接著，白光從中央向兩側移動，直到整個燈條恆亮白光。燈光以相同模式熄滅。</p>	<p>VB1 在還原為原廠預設設定之後重啟。</p>
	<p>燈條中央的一小段反覆閃爍白光。</p>	<p>VB1 於電源切斷後重啟。</p>
	<p>燈條中央的一小段反覆閃爍紫光。</p>	<p>Videobar Administration 應用程式正在傳送「識別設備」訊息至 VB1。</p>

操作

開始進行會議

備註： 主機電腦必須安裝最新版本的 DisplayLink® 驅動程式，且 VB1 必須啟用 DisplayLink 設定 (預設為停用)，才能使 HDMI 輸出開始運作。請前往 displaylink.com/downloads 下載最新版本的驅動程式。您可以使用 Videobar Configuration 應用程式、WebUI 或 Videobar Administration 應用程式，來啟用或停用 DisplayLink 設定 (請參見軟體應用程式 (第 23 頁))。

若要使用 VB1 開始進行會議：

1. 使用隨附的 USB 連接線來連接 VB1 與您的電腦。如有需要，可使用隨附的 USB C 轉 A 轉接器。
2. 在您所選用的會議軟體中啟動會議。
3. 在會議軟體的設備設定中，選取 **Videobar VB1** 作為麥克風、揚聲器與攝影機設備。

若要使用 VB1 作為通話麥克風進行通話：

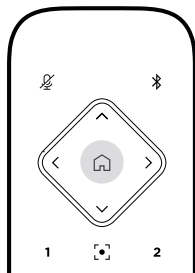
1. 按下 VB1 側面的 **Bluetooth** 按鍵 (或長按遙控器上的 *Bluetooth* 按鍵 3 秒鐘)，使 VB1 進入配對模式。
2. 在行動設備上搜尋可用的 *Bluetooth* 設備，然後選取 VB1。
3. 透過您的行動設備進行通話。音訊會自動從您的行動設備路由至 VB1 的揚聲器與麥克風。

調整攝影機

備註：軟體應用程式中也具備遙控器的完整功能，可方便您設定 Videobar VB1。請參見軟體應用程式 (第 23 頁)，以瞭解更多資訊。

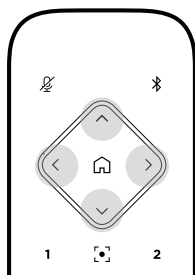
提示：為能方便您快速調整攝影機的設定，我們建議您在行動設備上使用 Videobar Mobile 應用程式。請參見 **Videobar Mobile 應用程式 (第 26 頁)**。

重設攝影機



若要將攝影機還原為預設的鏡頭平移、傾斜與縮放設定，請按下遙控器上的**原位**按鍵。

調整平移與傾斜角度



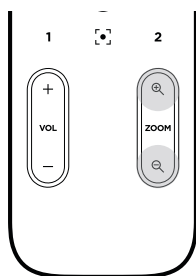
備註：在攝影機鏡頭完全縮小 (拉遠) 的狀態下，將無法調整平移與傾斜角度。

若要調整攝影機鏡頭的左右平移角度，請按下遙控器上的其中一個攝影機平移按鍵 (< 或 >)。

若要調整攝影機鏡頭的上下傾斜角度，請按下遙控器上的其中一個攝影機傾斜按鍵 (▲ 或 ▼)。

每按下按鍵一次即可調整一級，長按則可持續調整。

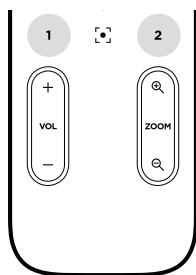
調整縮放率



若要調整攝影機鏡頭的縮放率，請按下遙控器上的其中一個 **Zoom** (縮放) 按鍵 (+ 或 -)。

每按下按鍵一次即可調整一級，長按則可持續調整。

儲存與恢復預設



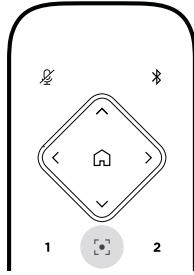
您可以將攝影機的鏡頭平移、傾斜與縮放設定，儲存為預設設定：預設 1 或預設 2。在恢復您所儲存的預設設定時，攝影機會立即返回至已儲存的鏡頭平移、傾斜與縮放設定。

若要儲存預設設定：

1. 請將鏡頭調整出您想要的平移、傾斜與縮放設定。
2. 在遙控器上長按您要使用的預設按鍵 (**預設 1** 或 **預設 2**) 3 秒鐘。即可將攝影機的鏡頭設定儲存至該預設設定。

若要恢復您所儲存的預設設定，請在遙控器上按下您想要使用的預設按鍵 (**預設 1** 或 **預設 2**)。攝影機的鏡頭將會立即調整為該預設按鍵所儲存的平移、傾斜與縮放設定。

啟用/停用自動取景功能



若要啟用或停用攝影機的自動取景功能，請按下遙控器上的**自動取景功能**按鍵。

啟用此功能後，攝影機會自動持續調整鏡頭的平移、傾斜與縮放設定，隨時將視野中的所有與會者涵蓋在內。

備註：若調整鏡頭的平移、傾斜與縮放設定，或選取 **Home (原位)**、**Preset 1 (預設 1)** 或 **Preset 2 (預設 2)**，將會自動停用自動取景功能。

停用此功能後，請以手動方式調整攝影機的平移傾斜變焦 (PTZ) 設定。

管理音訊位準

Videobar VB1 具備四種音訊輸入：內建麥克風、USB 音訊、*Bluetooth* 音訊以及類比輸入 (**Audio In** (音訊輸入) 插孔)。

此外，VB1 並具備三種音訊輸出：內建揚聲器、USB 音訊、*Bluetooth* 音訊。

所有這些訊號的即時位準 (除了 **Audio In** (音訊輸入) 插孔以外)，都會顯示在 Videobar Configuration 應用程式/WebUI 的 **Meters** (儀表) 標籤之中。

本機音訊播放

透過 VB1 揚聲器播放 USB、*Bluetooth* 連接或類比輸入的音樂或音訊。此音訊不會在開會時傳送至遠端。

會議音訊

VB1 麥克風音訊在回音消除 (AEC) 功能之後傳送至遠端 (透過 USB 輸出)。

若透過 USB 輸出傳送本機音訊播放，將會透過 VB1 揚聲器播放音訊，但 AEC 功能會先從 VB1 麥克風收音中移除音樂，然後才將音訊傳送至遠端。

若要將本機音訊播放傳送至遠端，請在您的會議軟體中共用音訊播放應用程式。

調整音訊位準

VB1 具備兩個音量控制：用於 VB1 揚聲器與類比輸入 (**Audio In** (音訊輸入)) 增益。

若要調整 VB1 揚聲器的音量，請使用遙控器上的 **音量 +** 或 **-** 按鍵，可調整主機電腦的音量，或調整 *Bluetooth* 音訊的音量。這三個音量位準會永遠保持同步，所以只需調整其中一個，就能讓其他兩個隨之改變。

備註：軟體應用程式中也具備遙控器的完整功能，可方便您設定 Videobar VB1。請參見軟體應用程式 (第 23 頁)，以瞭解更多資訊。

如有需要，可調整 **Analog Input Gain** (類比輸入增益)，以調整傳送至 **Audio In** (音訊輸入) 插孔的訊號，使其與主機電腦及 *Bluetooth* 音訊的額定位準相符。您可以使用 Videobar Configuration 應用程式或 WebUI 或 Videobar Administration 應用程式來進行這項操作 (請參見軟體應用程式 (第 23 頁))。

管理 *Bluetooth* 設備

VB1 一次只能與單一臺 *Bluetooth* 設備配對。舉例而言，VB1 無法與一台使用 Videobar Mobile 應用程式的設備進行配對，並與另一台用於通話或音訊播放的設備配對。

將 *Bluetooth* 設備與 VB1 進行配對

Videobar Mobile 應用程式會使用 *Bluetooth* 低功耗 (BLE) 來配對您的 *Bluetooth* 設備與 VB1。這款應用程式會自動「尋找」附近的 VB1。

若要使用 Videobar Mobile 應用程式來配對 *Bluetooth* 設備與 VB1，請開啟應用程式，並選取您想要使用的 VB1。連接成功之後，VB1 前面板的 *Bluetooth* 指示燈會恆亮白光。(請參見 **Videobar Mobile 應用程式 (第 26 頁)**，以瞭解更多資訊。)

若要配對 *Bluetooth* 設備以進行通話或音訊播放：

1. 按下 VB1 側面的 ***Bluetooth*** 按鍵 (或長按遙控器上的 *Bluetooth* 按鍵 3 秒鐘)，使 VB1 進入其配對模式。VB1 前面板的 *Bluetooth* 指示燈會閃爍藍光。
2. 在 *Bluetooth* 設備上搜尋其他可用的 *Bluetooth* 設備，然後選取 VB1。連接成功之後，VB1 前面板的 *Bluetooth* 指示燈會恆亮白光。

取消 VB1 與 *Bluetooth* 設備的連接

VB1 並不會自動重新連接先前曾經配對的 *Bluetooth* 設備。假如失去 *Bluetooth* 連接 (可能由於距離、故意取消連接或與另一台設備配對等原因)，您將需要依照下列步驟重新進行配對。

若要取消 VB1 與 *Bluetooth* 設備的連接，請執行下列任一項操作：

在您的行動設備上停用 *Bluetooth* 連接功能。

按下 VB1 側面的 ***Bluetooth*** 按鍵。

長按遙控器上的 ***Bluetooth*** 按鍵 3 秒鐘。

低耗電模式

部分國家的能源相關法規會要求 VB1 這類產品應於未使用時進入低耗電模式，以節約能源。您可以使用 Videobar Configuration 應用程式或 WebUI 或 Videobar Administration 應用程式，來停用 (或重新啟用) VB1 的這項功能 (請參見軟體應用程式 (第 23 頁))。

VB1 的低耗電模式實際上分為兩階段：待機模式與低耗電待機模式。

如果您啟用低耗電模式，VB1 將會在閒置 18 分鐘後進入待機模式。在閒置超過 2 小時以後，將會進入低耗電待機模式。在這兩種模式下，VB1 正面的燈條都會處於熄滅狀態。

如果您停用低耗電模式，則這兩種模式也都會停用。

某些操作或指令會使 VB1 無法進入待機模式、從待機模式「喚醒」(恢復正常運作狀態)，或從低耗電待機模式「喚醒」(恢復正常運作狀態)。

操作或指令	使 VB1 無法進入待機模式。	從待機模式「喚醒」VB1。	從低耗電待機模式「喚醒」VB1。	
按下按鍵	按下 VB1 側面的靜音或 Bluetooth 按鍵	✓	✓	✓
	遙控器的任何按鍵	✓	✓	✓
USB	將設備連接至 USB-C 連接埠		✓	✓
	透過 Videobar Configuration 應用程式或 WebUI 進行通訊	✓		
	音訊播放	✓	✓	
Bluetooth	使用中的連接	✓	✓	
	音訊播放	✓	✓	
Wi-Fi 或乙太網路	透過 Videobar Configuration 應用程式或 WebUI 進行通訊	✓	✓	
	透過 Videobar Administration 應用程式進行通訊	✓	✓	
HDMI Display	連接至 HDMI Display (HDMI 顯示幕) 連接埠的電腦啟用了 DisplayLink	✓	✓	
Audio In	音訊播放	✓	✓	

維護與保養

清潔 VB1

VB1 可能需要定期清潔。

請使用柔軟的乾布擦拭機身表面。

請避免讓任何水分滲入網罩內或任何連接線/線路連接之處。

替換零件與配件

您可以透過 Bose Professional 客戶服務訂購替換零件與配件。

請造訪：[boseprofessional.com](https://www.boseprofessional.com)

有限保固

Videobar VB1 享有有限保固。請造訪我們的網站：

[boseprofessional.com/warranty](https://www.boseprofessional.com/warranty)，以瞭解關於有限保固的詳細資料。

序號位置

序號與型號位於產品的後面板。

您也可以使用 Videobar Configuration 應用程式或 WebUI 或 Videobar Administration 應用程式來查看產品序號（請參見軟體應用程式（第 23 頁））。

還原為原廠預設設定

若還原為原廠預設設定，系統將會執行下列動作：

清除 VB1 的 *Bluetooth* 設備配對清單。

清除攝影機預設設定（「預設 1」與「預設 2」）。

將所有攝影機、麥克風與揚聲器設定還原為預設值。（其中多項設定都是在 Videobar Configuration 軟體或 Videobar Administration 軟體中進行設定。）

將管理員密碼重設為 **Bose123!**

備註：建議您在重設之後變更密碼。

若要將 VB1 的所有設定還原為原廠預設值，請執行下列任一項操作：

同時長按遙控器上的**原位**按鍵與**自動取景功能**按鍵 5 秒鐘。

同時長按 VB1 側面的**靜音**按鍵與 *Bluetooth* 按鍵 5 秒鐘。

燈條中央的一小段會反覆閃爍白光。接著，白光會從中央向兩側移動，直到整個燈條恆亮白光。燈光以相同模式熄滅。此過程完成之後，VB1 將會以原廠預設設定重啟。

忘記密碼

如果忘記用於存取管理員配置設定的密碼，您必須還原為原廠預設設定，以重設密碼（請參見**還原為原廠預設設定（第 42 頁）**）。

備註：建議您在重設之後變更密碼。

更新軟體

您可以使用 Videobar Configuration 應用程式與 Videobar Administration 應用程式來檢查更新，並安裝 VB1 韌體更新。請參見**軟體應用程式（第 23 頁）**，以瞭解如何下載及使用這些軟體應用程式。

如果您有使用 **Videobar Configuration WebUI** 來設定 VB1，則您的電腦必須連接至網際網路，否則可能無法於線上伺服器自動檢查或更新韌體。

如果您在使用 WebUI 時無法存取韌體更新，請執行下列任一項操作：

使用 **Videobar Configuration** 應用程式。

使用 **Videobar Administration** 應用程式。

將韌體更新檔案直接下載至您的電腦，然後使用 **Videobar Configuration WebUI** 來照常更新韌體。

疑難排解

請先嘗試下列各項解決方法。

如果您的 VB1 發生問題，請先嘗試下列各項解決方法：

請確認 VB1 已連接電源。

請確認後面板的所有連接線均已確實妥善連接。請參見**連接線連接 (第 20 頁)**。

請檢查狀態指示燈。請參見**前面板 (第 27 頁)**。

請確認您的行動設備可支援 *Bluetooth* 連接功能。

請檢查是否有可用的 VB1 軟體更新。請參見**更新軟體 (第 42 頁)**。

將您的 *Bluetooth* 設備移至靠近 VB1 之處，並遠離任何干擾或障礙物。

調整 VB1、電腦、*Bluetooth* 設備或其他任何音訊源的音量。請參見**管理音訊位準 (第 38 頁)**。

若無法解決問題，請參見下表以瞭解常見問題的情況與解決方法。如果仍然無法解決問題，請聯絡 Bose Professional 客戶服務。請造訪：boseprofessional.com。

問題	解決方法
我能聽見音樂聲，但我的電腦並未連接。	請檢查 <i>Bluetooth</i> 指示燈是否恆亮白光。若有，可能有某人的 <i>Bluetooth</i> 設備已配對至 VB1。按下 VB1 側面的 <i>Bluetooth</i> 按鍵以取消連結。
聲音太小或根本無法聽見。	音量可能太低。請使用下列方式調高音量： VB1 遙控器 您的 <i>Bluetooth</i> 行動設備 (若有使用) 您的會議軟體 (揚聲器音量) 如果仍然無法聽見聲音，請在您的會議軟體中確認是否已選取 Videobar VB1 作為揚聲器。
聲音失真。	音量可能太大。請使用下列方式降低音量： VB1 遙控器 您的 <i>Bluetooth</i> 行動設備 (若有使用) 您的會議軟體 (揚聲器音量)

問題	解決方法
透過電腦調整音量之後，VB1 的音量沒有任何變化。	<p>您的電腦可能並未選取 VB1 作為預設的音訊播放設備 (即使會議軟體可使用 VB1 正常運作)。</p> <p>Windows: 按一下系統匣中的 Speaker (揚聲器) 圖示 (位於工作列中)，然後選取 Videobar VB1 作為播放設備。</p> <p>macOS: 按一下畫面左上角的 Apple 圖示，然後選取 System Preferences (系統偏好設定)，按一下 Sound (聲音)，然後按一下 Output (輸出)。在設備清單中選取 Videobar VB1。</p>
在將電腦或行動設備連接至 VB1 時，電腦或行動設備的音量突然改變。	此為正常情況。在所有的設備均連接至 VB1 之後，便會自動同步所有設備的音量。
Videobar VB1 沒有出現在會議軟體的麥克風、揚聲器或攝影機清單之中。	<p>請稍候大約 30 秒鐘的時間，讓您的電腦將 VB1 註冊為麥克風、揚聲器與攝影機設備。</p> <p>如果仍然無法解決問題，請嘗試下列解決方法：</p> <ul style="list-style-type: none"> 請確認 USB 連接線是否確實連接至您的電腦。 請嘗試連接至電腦的其他 USB 連接埠。 請確認 VB1 的電源已開啟 (已確實妥善連接電源插頭)。 請確認 USB 連接線是否確實連接至 VB1 后面板的 USB-C 連接埠。 請嘗試使用較短的 USB 連接線。
我的會議軟體顯示視訊功能無法運作或無法啟動。	此問題通常是由於 Videobar Configuration 應用程式或另一個整合通訊用戶端已在使用並控制攝影機。請關閉正在使用視訊功能的其他應用程式。
在嘗試使用 Videobar Configuration WebUI 連接 VB1 時，瀏覽器顯示安全警告訊息。	此為正常情況，因為 VB1 並未提供基於動態分配 IP 位址的安全憑證。請參見 Videobar Configuration 應用程式與 WebUI (第 24 頁) ，以瞭解詳細說明。(如果您不確定要如何以電腦、網路瀏覽器或其他方式執行操作，請先詢問 IT/系統管理員。)


問題	解決方法
<p>第二顯示幕沒有顯示視訊影像 (來自 HDMI Display (HDMI 顯示幕) 連接埠)。</p>	<p>請嘗試下列解決方法：</p> <ul style="list-style-type: none"> 請確認顯示幕的電源已開啟。 請確認顯示幕的輸入/音源是否設定為連接至 VB1 的 HDMI 連接埠。 請確認 HDMI 連接線是否確實連接至 VB1 與顯示幕。 請確認您的電腦是否安裝最新版本的 DisplayLink 驅動程式 (displaylink.com/downloads)。 請確認您的電腦是否設定為「擴充」至第二顯示幕 (而非「鏡射」或「複製」)。 請確認是否已在 Videobar Configuration 軟體中啟用 DisplayLink 設定。
<p>即使並未將 VB1 連接至 HDMI Display (HDMI 顯示幕) 連接埠，我的電腦還是將 VB1 偵測為第二顯示幕。</p>	<p>請確認您的電腦是否設定為「鏡射」或「複製」顯示幕 (而非「擴充」至第二顯示幕)。</p>
<p>第二顯示幕中的視訊影像 (來自 HDMI Display (HDMI 顯示幕) 連接埠) 與音訊不同步。</p>	<p>請在電腦的顯示幕設定中調低視訊影像的解析度。</p>
<p>第二顯示幕的視訊影像 (來自 HDMI Display (HDMI 顯示幕) 連接埠) 失真。</p>	<p>請確認您所使用的是 Bose Professional 原廠連接線或經認證的 USB 連接線。並請確認連接線並未受損或扭結。</p>
<p>攝影機鏡頭在我沒有手動調整的情況下進行縮放。</p>	<p>攝影機的自動取景功能可能處於啟用狀態。按下遙控器上的自動取景功能按鍵，即可停用此功能。</p> <p>某些會議軟體應用程式會內建自動取景功能，因此可能會裁切影像或變更攝影機鏡頭的縮放率。您可以在會議軟體中停用此功能 (若可行)。</p>
<p><i>Bluetooth</i> 指示燈閃爍藍光。</p>	<p>此為正常情況。這表示 VB1 正處於 <i>Bluetooth</i> 配對模式中 (可能不慎按下 VB1 機身側面或遙控器上的 <i>Bluetooth</i> 按鍵)。</p>
<p><i>Bluetooth</i> 指示燈恆亮白光。</p>	<p>此為正常情況。這表示 VB1 已連接至 <i>Bluetooth</i> 行動設備，可播放音樂或進行通話，或已連接至 Videobar Mobile 應用程式。</p>

問題	解決方法
燈條亮起。	如果整個燈條亮起，表示正在進行會議。 如果只有燈條上的一小段亮起，則表示沒有在進行會議。僅代表 VB1 電源開啟。請參見燈條 (第 31 頁)，以瞭解更多資訊。
燈條中央的一小段恆亮綠光。	此為正常情況。這表示 VB1 攝影機處於開啟狀態。(如果燈條中的其他部分恆亮白光，表示正在進行會議；如果燈條中的其他部分熄滅，則表示沒有在進行會議)。

安全およびセキュリティ上の留意項目および使用方法をよく読み、いつでも参照できるように保管してください。

安全上の重要な注意事項

Bose Professional Videobar VB1 (アクセサリおよび交換用部品を含む) についての詳細は、boseprofessional.com/VB1 をご覧いただくか、Bose Professional カスタマーサービスへお問い合わせください。

1. このガイドをよくお読みください。
2. 必要な時にご覧になれるよう、本書を保管してください。
3. すべての注意事項に留意してください。
4. すべての指示に従ってください。
5. この製品を水の近くで使用しないでください。
6. 清掃の際は乾いた布を使用してください。
7. 通気孔は塞がないでください。製造元の指示に従って設置してください。
8. ラジエータ、暖房送風口、ストーブ、その他の熱を発生する装置 (アンプを含む) の近くには設置しないでください。
9. 電源コードが踏まれたり挟まれたりしないように保護してください。特に電源プラグやテーブルタップ、機器と電源コードの接続部などにはご注意ください。
10. 必ず製造元より指定された付属品、あるいはアクセサリのみをご使用ください。
11.  製造元の指定する、または製品と一緒に購入されたカート、スタンド、三脚、ブラケット、台以外は使用しないでください。カートを使用する場合、製品の載ったカートを移動する際には転倒による負傷が起きないように十分注意してください。
12. 雷雨時や長期間使用しない場合は、電源プラグを抜いてください。
13. 修理が必要な際には、カスタマーサービスにお問い合わせください。製品に何らかの損傷が生じた場合、例えば電源コードやプラグの損傷、液体の侵入や内部への異物の落下、雨や水蒸気との接触、動作の異常、製品本体の落下などの際には、直ちに電源プラグを抜き、修理をご依頼ください。

警告／注意



この記号は、製品内部に電圧の高い危険な部分があり、感電の原因となる可能性があることを示します。



この記号は、このガイドに製品の取り扱いとメンテナンスに関する重要な項目が記載されていることを示します。



のどに詰まりやすい小さな部品が含まれています。3歳未満のお子様には適していません。



本製品には磁性材料が含まれています。体内に埋め込まれている医療機器への影響については、医師にご相談ください。



標高2000 mを超える高地での使用には適していません。

Bose Professional製品を設置する際は、必ず地域と業界指導の安全基準に従ってください。各地域の建築に関する条例や規制など、適用される全ての法律に従って本製品およびその取付金具を設置することは施工業者の責任です。本製品を設置する前に、各地域の管轄官庁に相談してください。

製品を設置するときは、ディスプレイの通気孔を塞がないように注意してください。ディスプレイ製造元が提供する取扱説明書をご覧になり、記載されている指示に従って設置してください。

許可なく製品を改造しないでください。

電池交換が必要な場合は、単4形アルカリ乾電池 (IEC LR03) を使用してください。

本製品に付属の電池/バッテリーは、取り扱いを誤ったり、正しく交換しなかったり、誤ったタイプの電池/バッテリーと交換したりすると、火災や爆発、化学火傷などの原因になる恐れがあります。また、分解や充電、焼却を行ったり、熱を与えないようにしてください。

電池はお子様の手の届かないところに保管してください。

電池が液漏れしている場合は、漏れた液に触れたり目に入らないようにしてください。液が身体に付着した場合は、医師の診断を受けてください。

バッテリーが含まれる製品を直射日光や炎などの過度な温度にさらされるような場所で保管しないでください。

本製品を設置するには、付属の金具のみを使用してください。

次の壁面のみに取り付けてください。厚さ10 mm以上の板壁

上記以外の壁に取り付ける場合は、専門業者に作業を依頼してください。

この製品に付属する機器間接続ケーブルは、壁面埋め込み向けではありません。壁面埋め込み配線を行う際は、お住まいの地域の法令等に準拠したケーブルや施工法をご確認ください。詳しくは専門の施工業者にご相談ください。

設置面の強度が不十分な場合や、設置面の裏側に電線や配管などの危険物が隠れている場合は、本製品を設置しないでください。

車内や船上などで使用しないでください。

空気の流れが妨げられる恐れがあるため、製品を壁のくぼみや密閉された家具の中には置かないでください。

暖炉、ヒーター、暖房送風口、その他の熱を発生する装置(アンプを含む)の近くにブラケットを取り付けたり、製品を設置したりしないでください。

火気や熱源などの近くで使用しないでください。火の付いたろうそくなどの火気を製品の上や近くに置かないでください。

火災や感電を避けるため、雨の当たる場所や液体のある場所、湿度の高い場所で製品を使用しないでください。

水漏れやしぶきがかかるような場所でこの製品を使用しないでください。また、花瓶など、液体が入った物品を製品の上や近くに置かないでください。

この製品は屋内の水を使用するエリア(屋内プール、屋内ウォーターパーク、浴室、サウナ、スチームサウナ、屋内スケートリンクなど)での設置または使用を意図していません。

結露の可能性がある場所に製品を設置しないでください。

本製品と一緒にインバータ電源を使用しないでください。

この製品は必ず電源が供給されている状態で使用してください。

万が一の事故や故障に備えるために、よく見えて手が届く位置にあるコンセントに電源プラグを接続してください。

規制に関する情報

Dimensions (H × W × D): 48 × 659 × 102 mm (1.9 × 27.0 × 4.0 in)

Net Weight: 2.5 kg (5.6 lb)

Input Rating: DC 24V=, 1.875 A

This equipment should be installed and operated with a minimum distance of 20 cm between radiator and your body. Shielded cables are required to maintain regulatory compliance

CAN ICES-3 (B)/NMB-3(B)

Information About Products That Generate Electrical Noise (FCC Compliance Notice for US)

NOTE: This equipment has been tested and found to comply with the limits for a Class B digital device, pursuant to Part 15 of the FCC Rules. These limits are designed to provide reasonable protection against harmful interference in a residential installation. This equipment generates, uses, and can radiate radio frequency energy and, if not installed and used in accordance with the instructions, may cause harmful interference to radio communications. However, there is no guarantee that interference will not occur in a particular installation. If this equipment does cause harmful interference to radio or television reception, which can be determined by turning the equipment off and on, the user is encouraged to try to correct the interference by one or more of the following measures:

- Reorient or relocate the receiving antenna.
- Increase the separation between the equipment and receiver.
- Connect the equipment into an outlet on a circuit different from that to which the receiver is connected.
- Consult the dealer or an experienced radio/TV technician for help.

Changes or modifications not expressly approved by Bose Professional could void the user's authority to operate this equipment.

This device complies with part 15 of the FCC Rules and with ICSED Canada's license-exempt RSS standard(s).

Operation is subject to the following two conditions: (1) This device may not cause harmful interference, and (2) this device must accept any interference received, including interference that may cause undesired operation.

Management Regulation for Low-power Radio-frequency Devices

Article XII: According to "Management Regulation for Low-power Radio-frequency Devices", without permission by the NCC, any company, enterprise, or user is not allowed to change frequency, enhance transmitting power, or alter original characteristics, as well as performance, to an approved low power radio-frequency device.

Article XIV: The low power radio-frequency devices shall not influence aircraft security and interfere with legal communications; If found, the user shall cease operating immediately until no interference is achieved. The said legal communications means radio communications in compliance with the Telecommunications Act.

The low power radio-frequency devices must be susceptible with the interference from legal communications or ISM radio wave radiated devices.

CE Bose Professional hereby declares that this product is in compliance with the essential requirements and other relevant provisions of Directive 2014/53/EU and all other applicable EU directive requirements. The complete declaration of conformity can be found at: www.Bose.com/compliance

UK CA This product conforms to all applicable Electromagnetic Compatibility Regulations 2016 and all other applicable UK regulations. The complete declaration of conformity can be found at: www.Bose.com/compliance

Bose Professional hereby declares that this product is in compliance with the essential requirements per Radio Equipment Regulations 2017 and all applicable UK regulations. The complete declaration of conformity can be found at: www.Bose.com/compliance

This device for operation in the 5150–5250 MHz is only for indoor use to reduce the potential for harmful interference to co-channel mobile satellite systems.

For Europe:

Frequency band of operation 2400 to 2483.5 MHz:


Bluetooth®/Wi-Fi: Maximum transmit power less than 20 dBm EIRP.

Bluetooth Low Energy: Maximum power spectral density less than 10 dBm/MHz EIRP.

Frequency bands of operation 5150 to 5350 MHz and 5470 to 5725 MHz:

Wi-Fi: Maximum transmit power less than 20 dBm EIRP.

This device is restricted to indoor use when operating in the 5150 to 5350 MHz frequency range in all EU Member States listed in the table.

	BE	DK	IE	UK (NI)	FR	CY	SK	HU	AT	SE	BG	DE	PT	EL
	HR	LV	LT	MT	PL	CZ	EE	FI	ES	IT	RO	LU	NL	SI



This symbol means the product must not be discarded as household waste, and should be delivered to an appropriate collection facility for recycling. Proper disposal and recycling helps protect natural resources, human health, and the environment. For more information on disposal and recycling of this product, contact your local municipality, disposal service, or the shop where you bought this product.



Please dispose of used batteries properly, following any local regulations. Do not incinerate.



中国で制限されている有害／危険物質一覧

有害／危険物質または成分の名称および含有に関する情報						
有害／危険物質および成分						
各部の名称	鉛 (Pb)	水銀 (Hg)	カドミウム (Cd)	六価クロム (CR(VI))	ポリ臭化ビフェニル (PBB)	ポリ臭化ジフェニルエーテル (PBDE)
基板	X	0	0	0	0	0
金属部分	X	0	0	0	0	0
プラスチック部分	0	0	0	0	0	0
スピーカー	X	0	0	0	0	0
ケーブル	X	0	0	0	0	0
この表は、SJ/T 11364の規格に沿うように作成されています。						
0: 該当部分のすべての素材に含まれる有害／危険物質がGB/T 26572の制限要件を下回っていることを示します。						
X: このパーツに使用されている種類以上の均質物質に含まれている当該有害／有害物質が、GB/T 26572の制限要件を上回っていることを示します。						

台湾で制限されている有害／危険物質一覧

機器名: Bose Videobar VB1 型式: 433869						
制限される物質および化学記号						
ユニット	鉛 (Pb)	水銀 (Hg)	カドミウム (Cd)	六価クロム (Cr+6)	ポリ臭化ビフェニル (PBB)	ポリ臭化ジフェニルエーテル (PBDE)
基板	-	○	○	○	○	○
金属部分	-	○	○	○	○	○
プラスチック部分	○	○	○	○	○	○
スピーカー	-	○	○	○	○	○
ケーブル	-	○	○	○	○	○
注1:「○」は制限物質の含有率が存在の基準値の比率を超過していないことを示します。						
注2:「-」は制限物質が除外の対象であることを示します。						

製造日: シリアル番号の8桁目の数字は製造年を表します。「3」は2013年または2023年です。

中国における輸入元: Bose Electronics (Shanghai) Company Limited, Level 6, Tower D, No. 2337 Gudai Rd. Minhang District, Shanghai 201100

EUにおける輸入元: Bose Products B.V., Gorslaan 60, 1441 RG Purmerend, The Netherlands

メキシコにおける輸入元: Bose de México, S. de R.L. de C.V., Paseo de las Palmas 405-204, Lomas de Chapultepec, 11000 México, D.F. Phone Number: +5255(5202) 3545

台湾における輸入元: Bose Taiwan Branch, 9F-A1, No. 10, Section 3, Minsheng East Road, Taipei City 104, Taiwan. Phone Number: +886-2-2514 7676

英国における輸入元: Bose Limited Bose House, Quayside Chatham Maritime, Chatham, Kent, ME4 4QZ, United Kingdom

Bose Corporation, Framingham, MA 01701, U.S.A. 1-877-230-5639

製品の電力状態

The product, in accordance with the Ecodesign Requirements for Energy Related Products Directive 2009/125/EC, is in compliance with the following norm(s) or document(s): Regulation (EC) No. 1275/2008, as amended by Regulation (EU) No. 801/2013.

Required Power State Information	Power Modes	
	Standby	Networked Standby
Power consumption in specified power mode, at 230 V/50 Hz input	≤ 0.5 W	Wi-Fi, Ethernet, <i>Bluetooth</i> ≤ 2.0 W
Time after which equipment is automatically switched into mode	≤ 2.5 hours	≤ 20 minutes
Power consumption in networked standby if all wired network ports are connected and all wireless network ports are activated, at 230 V/50 Hz input	≤ 2.0 W	≤ 2.0 W
Network port deactivation/activation procedures. Deactivating all networks will enable standby mode.	<p>Wi-Fi: Deactivate by restoring the factory default settings: Press and hold the Home and Autoframe buttons on the remote control simultaneously for 5 seconds, or press and hold the Mute and <i>Bluetooth</i> buttons on the side of the unit simultaneously for 5 seconds. Activate via Videobar Mobile application.</p> <p>Ethernet: Deactivate by removing the Ethernet cable. Activate by inserting the Ethernet cable.</p> <p><i>Bluetooth:</i> Deactivate by restoring the factory default settings: Press and hold the Home and Autoframe buttons on the remote control simultaneously for 5 seconds, or press and hold the Mute and <i>Bluetooth</i> buttons on the side of the unit simultaneously for 5 seconds. Activate by pairing with a <i>Bluetooth</i> source.</p>	

外部電源アダプターの技術情報

The external power supply provided with the product, in accordance with the Ecodesign Requirements for Energy Related Products Directive 2009/125/EC, is in compliance with the following norms(s) or documents(s): Commission Regulation (EU) 2019/1782.

Manufacturer	Bose Products B.V.
Commercial registration number	36037901
Address	Gorslaan 60 1441 RG Purmerend The Netherlands
Model identifier	DT24V-1.8C-DC
Input voltage	100 V–240 V
Input AC frequency	50 Hz/60 Hz
Output voltage	24 VDC
Output current	1.9 A
Output power	45 W
Average active efficiency	89.9%
Efficiency at low load (10%)	87.0%
No-load power consumption	0.07 W

ライセンスおよび法的情報

BoseはBose Corporationの商標です。

VideobarはTransom Post OpCo LLCの商標です。



DisplayLink®は、ヨーロッパ、米国、およびその他の国におけるDisplayLink Corp.の登録商標です。



HDMI、HDMI High-Definition Multimedia Interface、およびHDMIのロゴはHDMI Licensing Administrator, Inc.の商標または登録商標です。

Android、Google PlayはGoogle LLCの商標です。

Bluetooth®のワードマークとロゴは、Bluetooth SIG, Inc.が所有する登録商標で、Bose Professionalはこれらの商標を使用する許可を受けています。

macOSはApple Inc.の商標です。

USB Type-C®およびUSB-C®はUSB Implementers Forumの登録商標であり、USB Type-C®ケーブルおよびコネクタの仕様に基づく製品および準拠する製品にのみ使用されることを目的としています。

Wi-FiはWi-Fi Alliance®の登録商標です。

その他すべての商標は所有権を保持する各社に帰属します。

Videobar VBiの製品コンポーネントとして含まれるサードパーティ製ソフトウェアパッケージに適用されるライセンスの開示内容を表示するには、次の手順を実行します。

Videobar VBi: Videobar Mobile モバイルアプリケーションをダウンロードして開き、設定アイコンをタップした後、「End User License Agreement」(エンドユーザー使用許諾契約書)をタップします。

Videobar Mobile モバイルアプリケーション: 設定アイコンをタップした後、「End User License Agreement」(エンドユーザー使用許諾契約書)をタップします。

Videobar Configuration アプリケーションまたはWebUI: 設定アイコンをクリックした後、「End User License Agreement」(エンドユーザー使用許諾契約書)をクリックします。

Videobar Administration アプリケーション: メニュー(≡)をクリックし、「About Videobar Administration」(Videobar Administrationについて)をクリックした後、「End User License Agreement」(エンドユーザー使用許諾契約書)をクリックします。

Bose Professionalのプライバシーポリシーについては、[boseprofessional.com](https://www.boseprofessional.com)をご覧ください。

©2023 Transom Post OpCo LLC。本書のいかなる部分も、書面による事前の許可のない複写、変更、配布、その他の使用は許可されません。

控えとして、製品の情報を以下の欄にご記入ください。

シリアル番号とモデル番号は、製品のリアパネルに記載されています。

シリアル番号: _____

モデル番号: _____

保証情報

本製品は限定保証の対象です。

保証の内容および条件につきましては、[boseprofessional.com/warranty](https://www.boseprofessional.com/warranty)をご覧ください。

内容物の確認

内容物.....	10
----------	----

セットアップ

一般的な設置ガイドライン	12
テーブル、棚、またはサイドボードへのVB1の設置	13
壁面へのVB1の設置	14
カメラプライバシーカバー	19
ケーブルの接続	20
ケーブルの管理	21

ソフトウェアアプリケーション

Videobar ConfigurationアプリおよびWebUI	24
Videobar Administrationアプリ	26
Videobar Mobileアプリ	26

製品の詳細

パネル	27
フロントパネル	27
サイドパネル	28
リアパネル	29
リモコン	30
ライトバー	31

操作

会議の開始	34
カメラの調整	35
カメラのリセット	35
水平および垂直振り角の調整	35
ズーム比率の調整	36
プリセットの保存および呼び出し	36
オートフレーミングの有効化／無効化	37
音量の管理	38
ローカル音声の再生	38
会議の音声	38
音量の調節	38
<i>Bluetooth</i> 機器の管理	39
VB1と <i>Bluetooth</i> 機器のペアリング	39
<i>Bluetooth</i> 機器とVB1の接続解除	39
低電力モード	40

お手入れについて

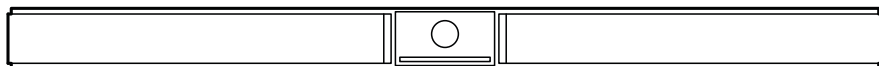
VB1のクリーニング	41
交換部品とアクセサリ	41
保証	41
シリアル番号の位置	41
工場出荷時の設定に戻す	42
パスワードを忘れた場合	42
ソフトウェアの更新	42

トラブルシューティング

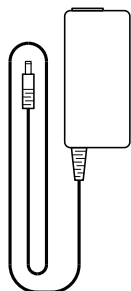
最初にお試しいただくこと	43
--------------------	----

内容物の確認

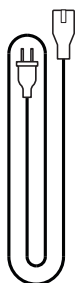
内容物



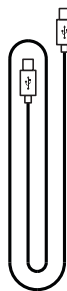
Videobar VB1



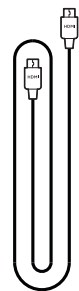
電源アダプター



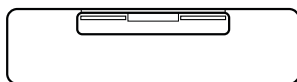
電源コード



USB Type-C®ケーブル

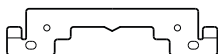


HDMIケーブル




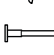
テーブルスタンド

A  テーブルスタンド用ネジ(2個)



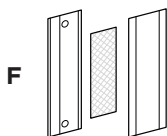
壁掛けブラケット

B  乾式壁用アンカー(大)(4個)

C  乾式壁用アンカープッシュピン

D  丸木ネジ(2個)

E  皿ネジ(2個)



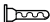
F

G  乾式壁用アンカー(小) (2個)

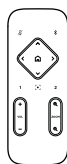
H  皿ネジ(小) (2個)



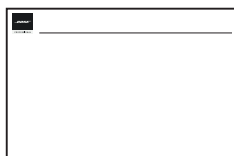
I

J  乾式壁用アンカー(小)

K  皿ネジ(小)



リモコン



クイックスタートガイド



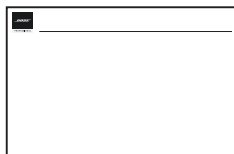
単4形乾電池 (2本)



テーブル設置セットアップガイド



カメラプライバシーカバー



壁掛け設置セットアップガイド



USB-C-Aアダプター



ユーロブロックコネクター(2ピン)



安全上の注意事項

セットアップ

一般的な設置ガイドライン

VB1の前面や背面、または天面を下にした状態で使用しないでください。

VB1の上に物を置かないでください。

VB1をエアコンの排気口、ヒーターやラジエーター、扇風機、またはノイズや振動の元となるその他の物の近くに置かないでください。

ワイヤレス信号の干渉を回避するため、他のワイヤレス機器から**30~90 cm**ほど離れた場所に設置してください。VB1は金属製キャビネットや他のAV機器、熱源などから離れた場所に設置してください。キャビネットの中には置かないでください。

電源コンセントが近くにある場所に設置してください。

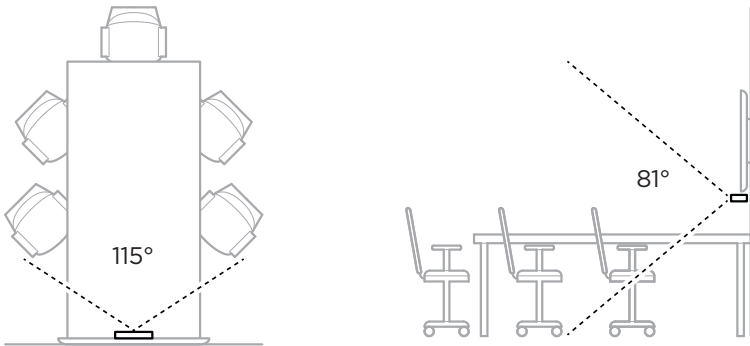
VB1は、グリルを部屋の中央に向けた状態で、テレビの真下(推奨)または真上に配置してください。

最高の音質をお楽しみいただくため、VB1を密閉されたキャビネットの中に設置したり、部屋の角に斜めに設置したりしないでください。

会議の参加者全員の座席が、カメラの視野角に収まるようにしてください。オートフレーミング機能を正しく機能させるには、会議の参加者全員が視野角に収まっている必要があります(オートフレーミングの有効化/無効化(37ページ)を参照)。

VB1のカメラの視野角は、115°(水平)、81°(垂直)です。

会議中は、会議室を十分明るい状態にしてください。

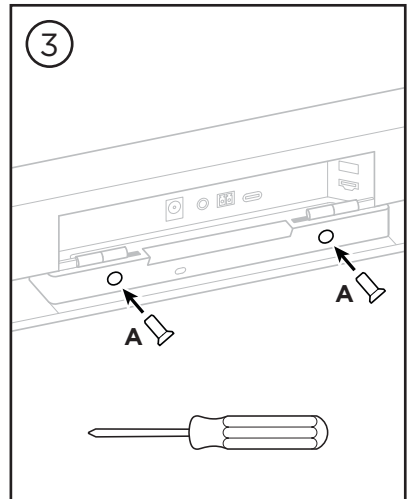
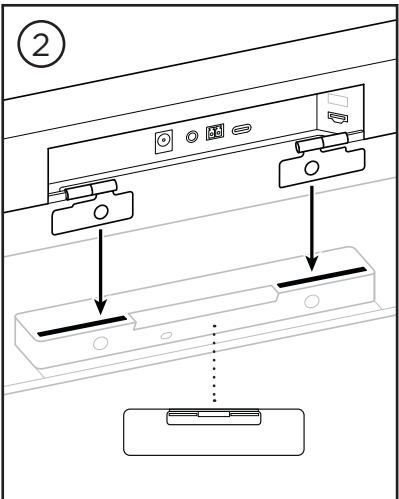
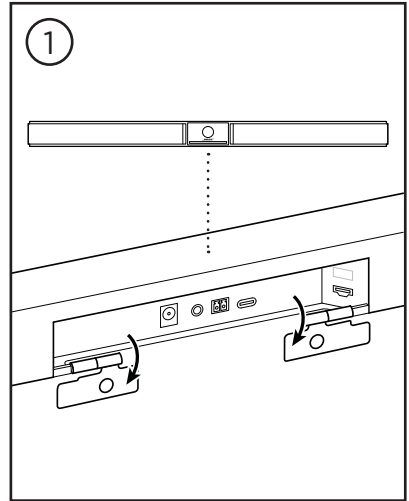
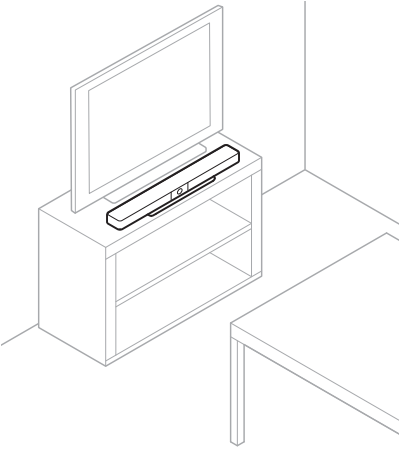


テーブル、棚、またはサイドボードへのVB1の設置

最高のパフォーマンスを引き出すために、VB1をテーブル、棚、またはサイドボードなどに設置する際は、次の推奨事項に従ってください。

VB1は、安定した水平な面に置かれたテーブルスタンドに設置してください。

カメラの画像に設置面が映り込まないように、VB1の前面の配置を調整してください。会議中は、会議室を十分明るい状態にしてください。



壁面へのVB1の設置

最高のパフォーマンスを引き出すために、VB1を壁に設置する際は、次の推奨事項に従ってください。

壁掛けブラケットを取り付ける壁の位置を決定する際には、ブラケットの周りにVB1が収まる十分なスペースがあることを確認してください。

壁掛けブラケットの上には、少なくとも**3.8 cm**のスペースが必要です。このスペースがあることで、VB1を「吊り下げる」ことができ(ステップ7)、VB1の角度を調整できます。また、VB1リアパネルの接続にアクセスするのに十分なスペースを確保できます。

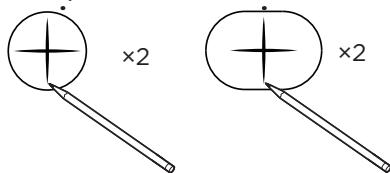
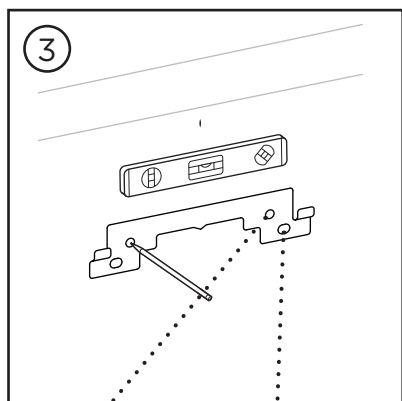
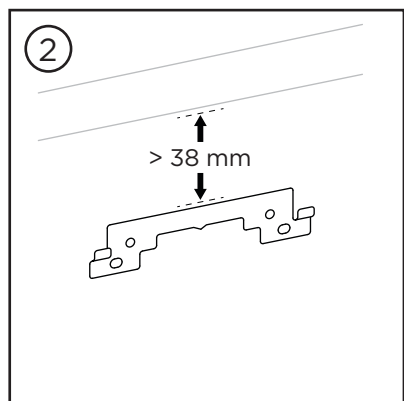
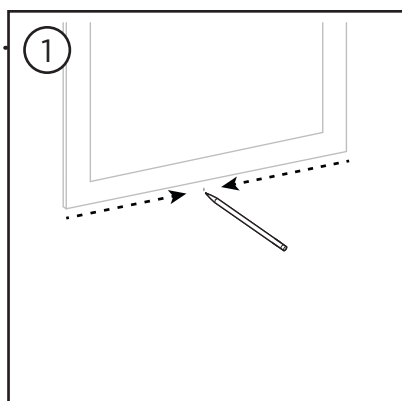
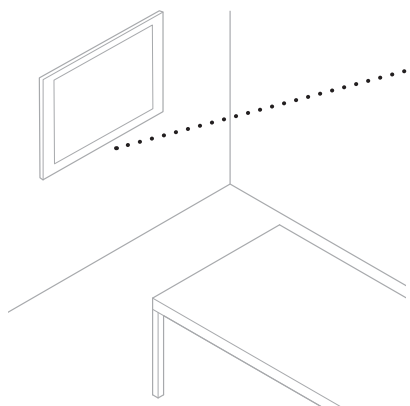
壁掛けブラケットの下には、少なくとも**11.4 cm**のスペースが必要です。これにより、設置時にVB1を垂直に吊り下げてケーブルを差し込むことができ、VB1の角度を調整できます。

スペースの幅は、壁掛けブラケットを中心にして、少なくとも**73.7 cm**が必要です。これは、VB1と、音響ポートや側面のボタンにアクセスするためのスペースを確保するのに必要です(両側にそれぞれ**2.5 cm**のスペースが必要です)。

本製品を設置するには、付属の留め具のみを使用してください。

注: その他にツールが必要になる場合があります。

注: 作業を続ける前に、付属の「安全上の重要な注意事項」を必ずお読みください。



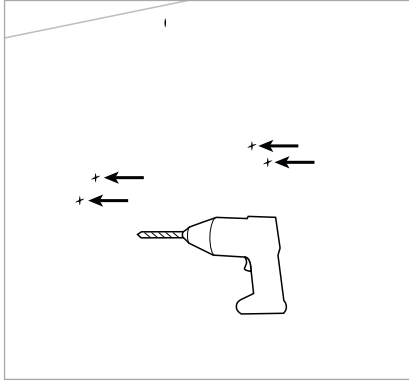
④

警告:



設置面の強度が不十分な場合や、設置面の裏側に電線や配管などの危険物が隠れている場合は、本製品を設置しないでください。不明な場合は、専門の施工業者にお問い合わせください。

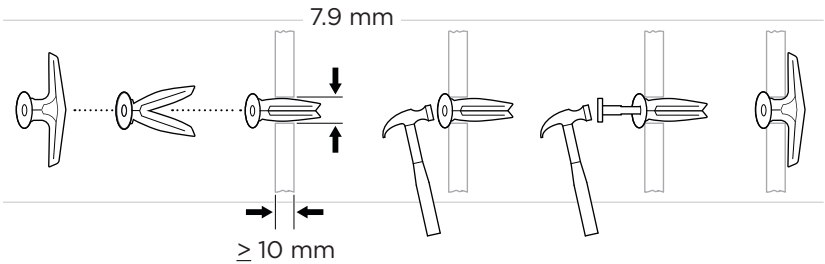
ブロックやコンクリート面に付属の留め具は使用できません。



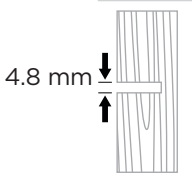
ウォールボード
7.9 mm

木製スタッド／金属製スタッド
4.8 mm

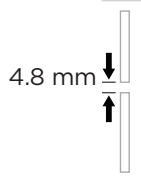
ウォールボード

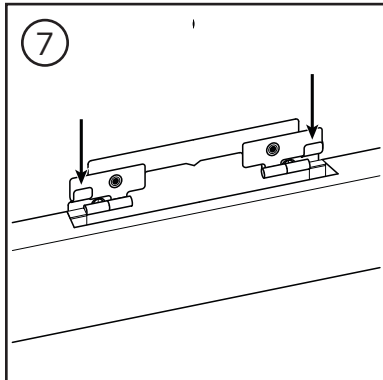
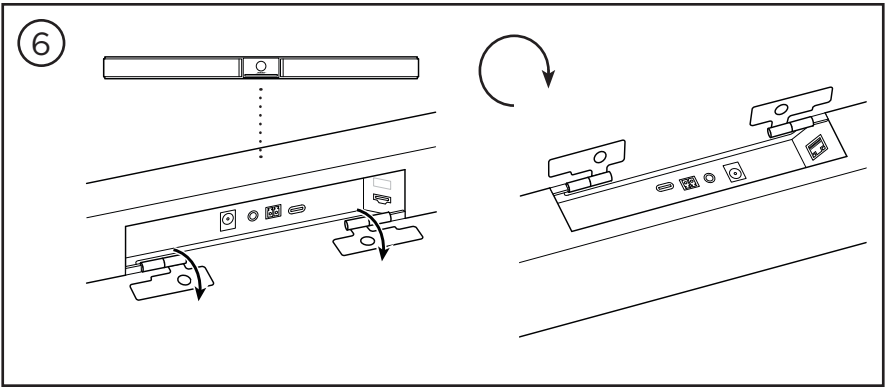
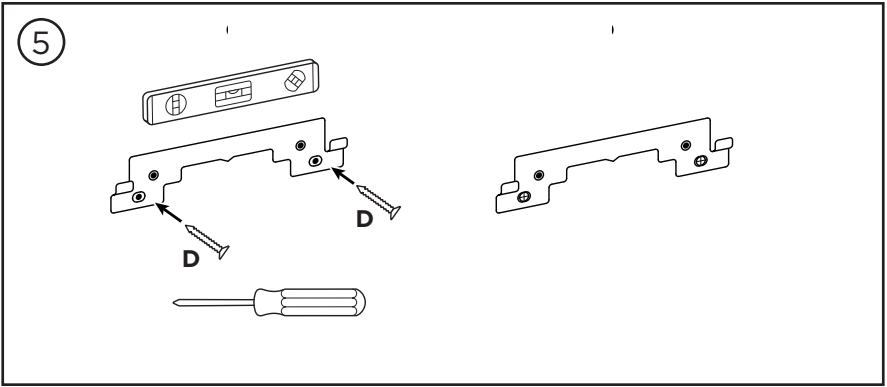


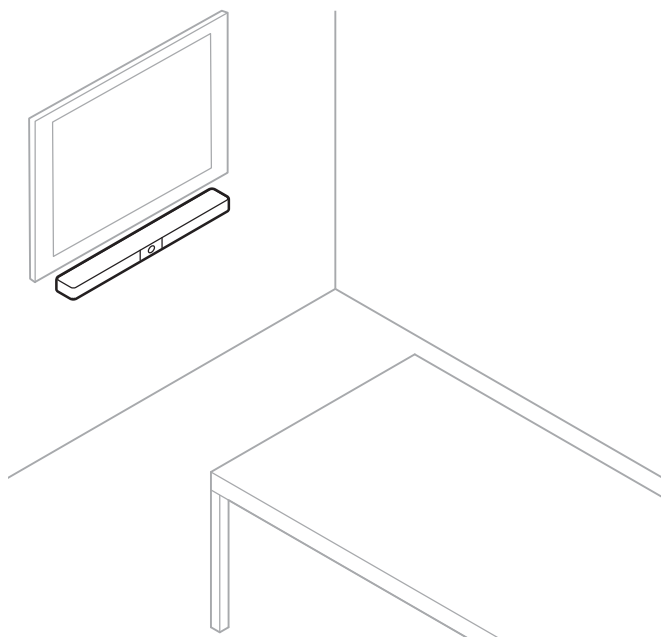
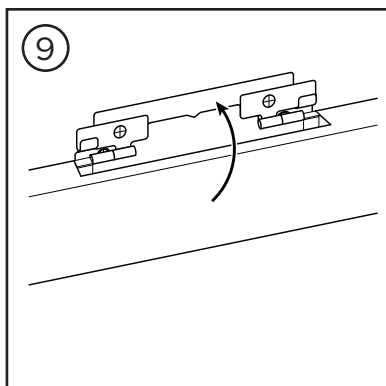
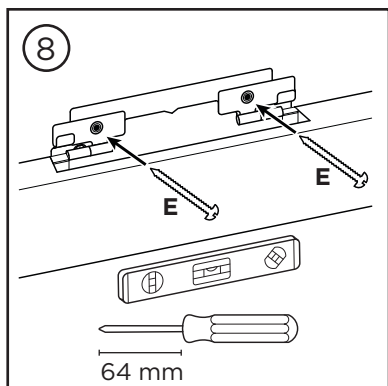
木製スタッド



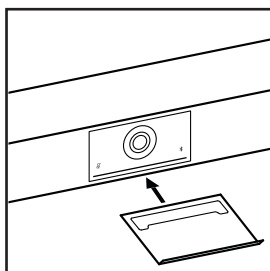
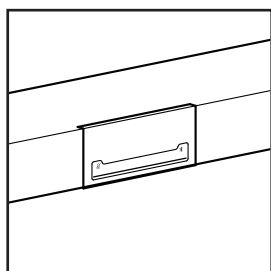
金属製スタッド







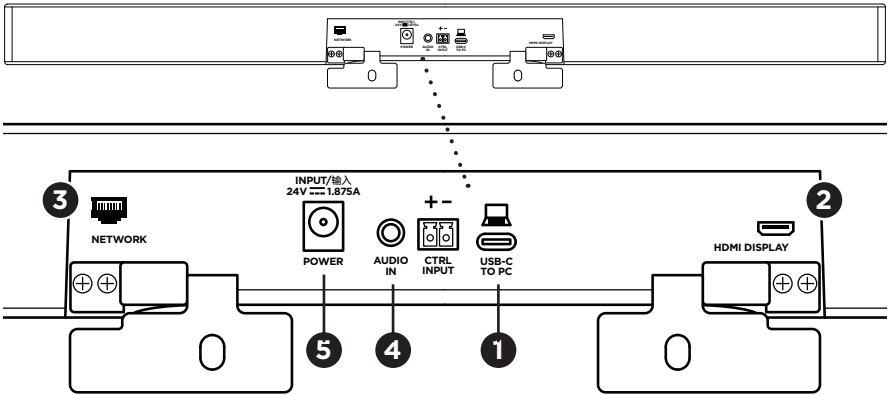
カメラプライバシーカバー



付属のカメラプライバシーカバーにより、インジケータやライトバーを隠すことなく、カメラの視野角を完全に覆うことができます。

カバーはマグネット式です。図のようにVB1のレンズに取り付けると、外れることはありません。使用していない時は、カバーをレンズの下の底面に固定して保管することができます。

ケーブルの接続



1. 付属のUSB-C®ケーブルを**USB-C**ポートに接続します。

このケーブルのもう一方の端をテーブルの上に載せておきます。そうすれば、会議ごとに会議の主催者が簡単にコンピューターを接続したり外したりできます。

注: 会議の主催者のコンピューターにUSB-Aポートしかない場合は、付属のUSB-C-Aアダプターをコンピューター側のUSB-Cケーブルに取り付けます。

2. **オプション:** 付属のHDMIケーブルを使用して、**HDMI DISPLAY**ポートと、ビデオディスプレイまたはモニターのHDMIポートを接続します。

注: HDMI出力が動作するには、ホストコンピューターに最新のDisplayLink®ドライバーがインストールされている必要があり、VB1のDisplayLinkの設定が有効になっている必要があります(デフォルトでは無効になっています)。最新のドライバーは、displaylink.com/downloadsからダウンロードしてください。DisplayLinkの設定は、Videobar ConfigurationアプリもしくはWebUI、またはVideobar Administrationアプリを使用して、有効化または無効化できます(**ソフトウェアアプリケーション(23ページ)**を参照)。

3. **オプション:** VB1をネットワーク上で使用する場合は、Cat 5ケーブル(別売)を使用して、**NETWORK**ポートをLANポートやネットワークスイッチなどのポートに接続します。

4. **オプション:** ディスプレイのアナログ音声出力からの外部音声を使用するには、3.5 mmステレオケーブル(別売)を**AUDIO IN**ジャックに接続します。

ピン配列の構成は、以下のとおりです。

1. 先端部=左音声入力
2. リング部=右音声入力
3. スリーブ/リング2部=アース



5. 付属の電源アダプターを**POWER**入力に接続します。

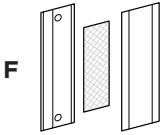
6. 付属の電源ケーブルを使用して、電源アダプターを電源コンセントに接続します。電源に接続されると、VB1の電源が自動的にオンになります。

Videobar VB1の最的なパフォーマンスを引き出す設定には、複数のソフトウェアアプリを使用できます。詳しくは、**ソフトウェアアプリケーション(23ページ)**をご覧ください。

USBエクステンダーを使用する必要がある場合は、boseprofessional.com/VB1で、VB1との使用に推奨されるサードパーティー製USBエクステンダーの一覧をご確認ください。

ケーブルの管理

付属のケーブルマネジメントカバーを使用すると、常設のケーブルをまとめて壁に沿って固定できます。



G 乾式壁用アンカー(小) (2個)

H 皿ネジ(小) (2個)

ケーブルマネジメントカバーを取り付けるには、次の手順に従います。

1. ケーブルカバー(F)の裏パネル(ネジ穴がある部品)を任意の場所に当てて保持します。
2. 壁に2つのネジ穴の中心となる位置の印を付けて、ケーブルカバーの裏パネルを外します。
3. 印を付けた壁の裏にスタッドがある場合は、ドリルで壁に**2.4 mm**の穴を2つ開けます。印を付けた壁の裏にスタッドがない場合は、ドリルで壁に**5 mm**の穴を2つ開けます。
4. 印を付けた壁の裏にスタッドがない場合は、2つの乾式壁用アンカー(小)(G)を壁に打ち込みます。
5. ケーブルカバー(F)の裏パネルを、ネジ穴の位置に合わせます。
6. 2つの皿ネジ(小)(H)を使用して、ケーブルカバーの裏パネルを壁に固定します。
7. ケーブルを集め、(壁に取り付けた)ケーブルカバーの裏パネルの「ガイド」に沿って揃えます。
8. ケーブルカバーフォーム(F)の両面テープから剥離材をはがします。
9. ケーブルカバーの裏パネルの、集めたケーブルの横にフォームストリップを強く押し付けます。
10. ケーブルカバー(F)の表パネルを、集めたケーブルとフォームの上に被せて接着します。



J 乾式壁用アンカー(小)

K 皿ネジ(小)

電源アダプターとコードを壁に固定するには、次の手順に従います。

1. 壁のどの場所に電源アダプターとコードを固定するかを決定します。
2. 壁にネジ穴の印を付けます。
3. 印を付けた壁の裏にスタッドがある場合は、ドリルで壁に**2.4 mm**の穴を1つ開けます。
印を付けた壁の裏にスタッドがない場合は、ドリルで壁に**5 mm**の穴を1つ開けます。
4. 印を付けた壁の裏にスタッドがない場合は、乾式壁用アンカー(小)(J)を壁に打ち込みます。
5. ケーブル結束バンド(I)のアイレットを、ネジ穴の位置に合わせます。
6. 皿ネジ(小)(H)を使用して、ケーブル結束バンドのアイレットを壁に固定します。

ソフトウェアアプリケーション

Videobar VB1の設定には、次の3つのソフトウェアアプリケーションを使用できます。

機器のセットアップと設定には、WindowsおよびmacOS、またはWebブラウザから Videobar Configurationソフトウェアを使用します。

特長:

カメラのコントロール: 水平および垂直振り角の調整、ズーム、プリセット、およびオートフレーミング

パスワード保護された管理・設定

ファームウェア更新のインストール、設定プロファイルの作成および適用、HDMI出力(DisplayLink)の有効化または無効化、ネットワーク調整、Bluetooth、およびカメラの詳細な設定など

Videobarデバイスソフトウェアの更新が利用可能な場合に通知を送信

WindowsおよびmacOS、またはWebブラウザから使用でき、デスクトップソフトウェアのすべての機能をネットワーク接続で利用可能

Videobar Administrationソフトウェアを使用して、ユニット単位または企業全体の複数ユニットの変更をリモートで管理できます。また、リアルタイムでステータスを確認できます。

特長:

ステータス表示、およびBose Professional Videobarの主要な機能をすべて一括管理

システム全体または指定したユニットのみに対するファームウェアの更新

パラメーターをユニットごと、またはグループごとに表示、編集、および保存

ネットワーク上のすべてのユニットを検出し、デバイスプロファイルを作成、保存、および適用

Windowsに対応

Videobar Mobileモバイルアプリを使って、室内の誰でも自分のスマートフォンから Videobar VB1をコントロールできます。音量の調整、ミュートの切り替え、水平および垂直振り角の調整、ズーム、ズームプリセット、Bluetoothペアリングを簡単に行えます。

特長:

音量、ミュート、水平および垂直振り角の調整、ズーム、ズームプリセット、およびBluetoothペアリングをモバイル機器からコントロール

Bluetoothを使用し、Videobar VB1を検出して通信

iOSおよびAndroidに対応

Videobar ConfigurationアプリおよびWebUI

Videobar Configurationアプリをダウンロードしてお使いのコンピューターにインストールするには、次の手順に従います。

1. お使いのコンピューターで**boseprofessional.com/VB1**にアクセスします。
2. **Videobar Configuration Software**アプリをダウンロードしてインストールします。

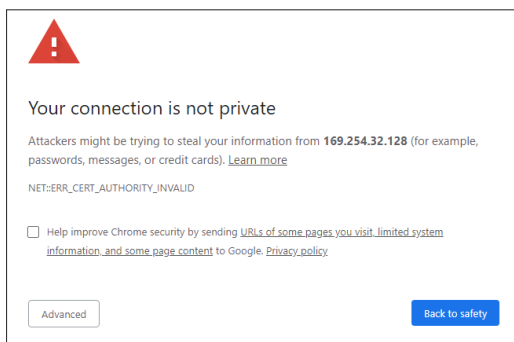
Videobar ConfigurationアプリにアクセスしてVB1を設定するには、次の手順に従います。

1. お使いのコンピューターをVB1の**USB-C**ポートに接続します。
2. **Videobar Configuration**アプリを開きます。
3. 管理者の設定メニューにアクセスしてVB1を設定するには、ナビゲーションパネルの**管理者アイコン**をクリックし、次の工場出荷時のパスワードを入力します。**Bose123!**
注: アクセスした後、パスワードを変更することをお勧めします。

ブラウザーベースのVideobar Configuration WebUIにアクセスし、ネットワーク接続を介してVB1を設定するには、次の手順に従います。

1. お使いのコンピューターとVB1を同じネットワークに接続します。
2. お使いのコンピューターでWebブラウザーのアドレスバーにVB1のIPアドレスを入力し、**Enter**を押します。(USBを介してVideobar Configurationアプリを使用するか、Videobar Administrationアプリを使用して、VB1のIPアドレスを決定できます。これにより、ネットワーク上のVB1が自動的に検出されます。) Videobar Configuration WebUIが開きます。

注: 一部のブラウザーでは、次のようなセキュリティの警告が表示される場合があります。



これは正常であり、セキュリティのリスクではありません。「**Advanced**」(詳細設定)をクリックします。(コンピューターやWebブラウザーなどでの操作に自信がない場合は、まず自社のIT/システム管理者に確認してください。)

その後、フォローアップメッセージが表示される場合があります。

This server could not prove that it is **169.254.32.128**; its security certificate is not trusted by your computer's operating system. This may be caused by a misconfiguration or an attacker intercepting your connection.

[Proceed to 169.254.32.128 \(unsafe\)](#)

これも正常です。「**Proceed to...**」(次へ進む)リンクをクリックし、Videobar Configuration WebUIのログインページに進みます。

工場出荷時の管理者パスワードは、次の通りです。**Bose123!**

注: アクセスした後、パスワードを変更することをお勧めします。

Videobar ConfigurationアプリまたはWebUIのヘルプファイルにアクセスするには、アプリまたはWebUIの「**Settings**」(設定)ページをご覧ください。

Videobar Administrationアプリ

Videobar Administrationソフトウェアをダウンロードするには、次の手順に従います。

1. お使いのコンピューターで**boseprofessional.com/VB1**にアクセスします。
2. **Videobar Administration**アプリをダウンロードしてインストールします。

Videobar Administrationアプリにアクセスして、ネットワーク接続を介して1台または複数のVB1を設定するには、次の手順に従います。

1. お使いのコンピューターと各VB1を同じネットワークに接続します。
2. **Videobar Administration**アプリを開きます。

Videobar Administrationアプリのヘルプファイルにアクセスするには、アプリの「**About Videobar Administration**」(Videobar Administrationについて)ページをご覧ください。

Videobar Mobileアプリ

Videobar Mobileアプリを使用すると、赤外線リモコンの機能をお使いのモバイル機器で簡単に利用できます。Videobar Mobileアプリをダウンロードするには、次の手順に従います。

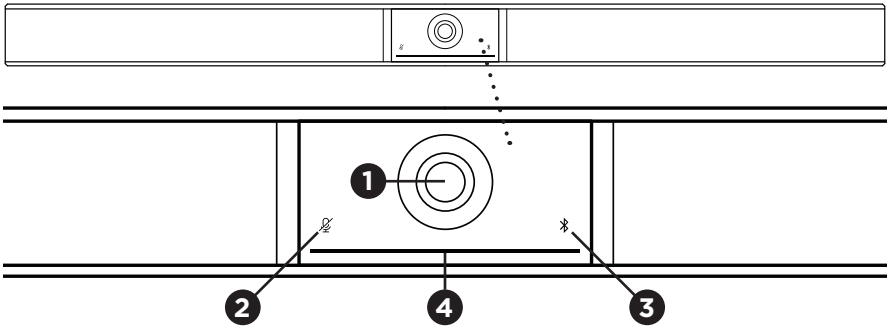
1. App StoreSMまたはGoogle PlayTMで、**Videobar Mobile**アプリを検索してダウンロードします。
2. お使いのモバイル機器でアプリを開き、位置情報の追跡を有効にします。
3. お使いのモバイル機器で、**Videobar VB1**に接続します。

Videobar Mobileアプリのヘルプファイルにアクセスするには、アプリの「**Settings**」(設定)ページをご覧ください。

製品の詳細

パネル

フロントパネル



1. カメラ

2. ミュートインジケータ: マイクがオフの場合は、このランプが赤く点灯します。

3. **Bluetoothランプ**: このランプは、現在のVB1のBluetooth接続のステータスを示します。

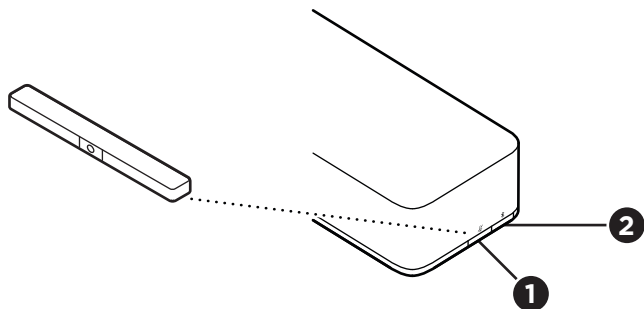
青の遅い点滅: VB1をBluetooth対応のモバイル機器にペアリングできます。

白の点灯: VB1がVideobar Mobileアプリまたはモバイル機器に接続され、通話またはメディアの再生が可能です。

消灯: Bluetooth接続されていません。

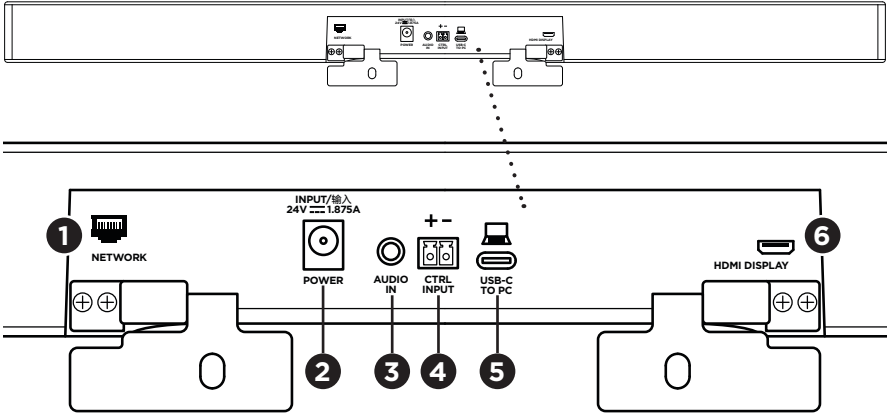
4. **ライトバー**: この詳細については、「**ライトバー (31ページ)**」を参照してください。

サイドパネル



1. **ミュートボタン:** このボタンを押して、VB1のマイクをミュートまたはミュート解除します。
2. **Bluetoothボタン:** このボタンを長押しして、ペアリングモードに入ります。

リアパネル



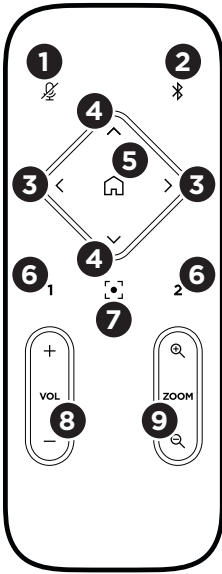
1. **ネットワーク:** この1 Gbps RJ45接続を使用して、設定やモニタリングが可能です。(このポートは、リアパネルの内側にあります。)
2. **POWER:** 付属の電源アダプターを接続します。
3. **AUDIO IN:** 3.5 mmステレオケーブル(別売)を使用して、接続したモニターやディスプレイからの音声出力などのオプション音源を接続できます。
4. **CTRL INPUT:** 付属の2ピンユーロブロックコネクタをこのポートに使用して、優先ミュート操作に使用します。デフォルトでは、この入力は無効で、内部プルアップを備えています。
5. **USB-C:** このポートを会議のホストコンピューターに接続します。
6. **HDMI DISPLAY:** 付属のHDMIケーブルを使用して、このポートをディスプレイに接続します。(このポートは、リアパネルの内側にあります。)

注: HDMI出力が動作するには、ホストコンピューターに最新のDisplayLink®ドライバーがインストールされている必要があります。VB1のDisplayLinkの設定が有効になっている必要があります(デフォルトでは無効になっています)。最新のドライバーは、displaylink.com/downloadsからダウンロードしてください。DisplayLinkの設定は、Videobar ConfigurationアプリもしくはWebUI、またはVideobar Administrationアプリを使用して、有効化または無効化できます(ソフトウェアアップデートリレーション(23ページ)を参照)。

リモコン

Videobar VB1には、赤外線リモコンが付属します。リモコンを使って、カメラと音量の調節、マイクのミュート、およびBluetoothペアリングモードへの切り替えが可能です。

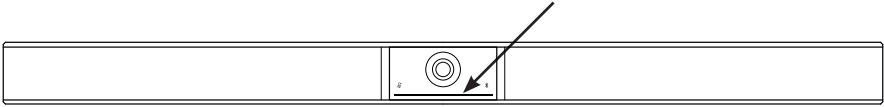
注: リモコンの機能はすべてソフトウェアアプリ内でも利用できるため、アプリからVideobar VB1を設定できます。詳しくは、ソフトウェアアプリケーション(23ページ)をご覧ください。






1. **ミュート:** VB1のマイクをミュート／ミュート解除します。
2. **Bluetooth:** 3秒間長押しすることで、ペアリングモードに入ります。すでに機器とペアリングされている場合は、長押しすることで接続を解除できます。
3. **カメラの水平振り角:** このボタンを押して、カメラの左右方向の振り角を調整します(<または>)。長押しすると連続調整できます。
4. **カメラの垂直振り角:** このボタンを押して、カメラの上下方向の振り角を調整します(∧または∨)。長押しすると連続調整できます。
5. **ホームプリセット:** カメラの水平振り角、垂直振り角、ズームの設定をホーム位置に戻します。ホーム位置は、Videobar Configurationアプリ内で変更できます。
6. **プリセット1および2:** このボタンを押して、カメラのプリセット1または2を選択します。長押しすると、現在のカメラの水平振り角、垂直振り角、ズームの設定をプリセット1または2として保存できます。
7. **オートフレーム:** オートフレーミングをオン／オフします。オンになっていると、参加者全員が常に視野角に収まるように、カメラの水平振り角、垂直振り角、ズームの設定が自動的に調整されます。
8. **音量:** 音量を調整します(+または-)。
9. **カメラのズーム:** カメラのズーム比率を調節します(+または-)。



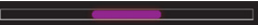
ライトバー

ライトバーは、VB1のカメラの下にあります。



外観	光り方	システムの状態
	ライトバー中央の小さな範囲でランプが白く点灯します。	電源がオンまたは「スタンバイ解除」です。
	すべてのランプが白く点灯します。	会議がアクティブです。カメラはオフです。
	中央のランプが緑に点灯し、周囲のランプは白く点灯します。	会議がアクティブです。カメラがオンで、オートフレーミングはオフです。
	ライトバー中央の小さな範囲でランプが緑に点灯し、周囲のランプは白く点灯します。	会議がアクティブです。カメラがオンで、オートフレーミングもオンです。
	ライトバー中央の小さな範囲でランプが緑に点灯し、周囲のランプは消灯します。	カメラがオンです。アクティブな会議はありません。
	ライトバーの左端のランプが1回点滅します(アクティブな通話がない場合に白く点灯、アクティブな通話がある場合は消灯)。	音量レベルが1段階下がっています。
	ライトバーの右端のランプが1回点滅します(アクティブな通話がない場合に白く点灯、アクティブな通話がある場合は消灯)。	音量レベルが1段階上がっています。

外観	光り方	システムの状態
	<p>ライトバーの左端の小さなランプのバーが1回点滅します(アクティブな通話がない場合に白く点灯、アクティブな通話がある場合は消灯)。</p>	<p>音量が最低レベルに設定されています。</p>
	<p>ライトバーの右端の小さなランプのバーが1回点滅します(アクティブな通話がない場合に白く点灯、アクティブな通話がある場合は消灯)。</p>	<p>音量が最高レベルに設定されています。</p>
	<p>ライトバー中央の小さな範囲で白いランプが速く点滅します。</p>	<p>VB1がWi-Fiネットワークを検索しています。</p>
	<p>ライトバー中央の小さな範囲で白いランプが1回点滅し、ゆっくりと消灯します。</p>	<p>VB1がWi-Fiネットワークに接続しました。これは、ホストのUSBポートまたは音声入力への新しい音源の接続を、VB1が検知したことも意味します。</p>
	<p>ライトバー中央の小さな範囲でランプが赤く点灯します。</p>	<p>ファームウェア/ソフトウェアの問題により、VB1が正しく機能していません。Bose Professionalのテクニカルサポートにご連絡ください。</p>
	<p>ライトバー中央の小さな範囲でランプがオレンジ色に点滅します。</p>	<p>接続の問題により、VB1が正しく機能していません。VB1がネットワークに接続されていることを確認してください。</p>
	<p>白のランプが右端と左端を繰り返し往復します。</p>	<p>VB1がファームウェアの更新をダウンロードおよびインストールしています。VB1の電源ケーブルを抜いたり、ネットワークとの接続を解除したりしないでください。更新が完了すると、ライトバーが停止し、VB1からビープ音が鳴ります。</p>

外観	光り方	システムの状態
	<p>ライトバー中央の小さな範囲で白いランプが繰り返し点滅します。</p> <p>その後、ランプの点灯が中央から外側に広がっていき、ライトバー全体が白く点灯します。同じパターンでランプが消灯します。</p>	<p>VB1が工場出荷時の設定に戻り、再起動しています。</p>
	<p>ライトバー中央の小さな範囲で白いランプが繰り返し点滅します。</p>	<p>停電の後、VB1が再起動しています。</p>
	<p>ライトバー中央の小さな範囲で紫のランプが繰り返し点滅します。</p>	<p>Videobar Administrationアプリが「Identify Device」(機器の識別)メッセージをVB1に送信しています。</p>

操作

会議の開始

注: HDMI出力が動作するには、ホストコンピューターに最新のDisplayLink®ドライバーがインストールされている必要があり、VB1のDisplayLinkの設定が有効になっている必要があります(デフォルトでは無効になっています)。最新のドライバーは、[displaylink.com/downloads](https://www.displaylink.com/downloads)からダウンロードしてください。DisplayLinkの設定は、Videobar ConfigurationアプリもしくはWebUI、またはVideobar Administrationアプリを使用して、有効化または無効化できます(ソフトウェアアプリケーション(23ページ)を参照)。

VB1を使用して会議を開始するには、次の手順に従います。

1. 付属のUSBケーブルでVB1とお使いのコンピューターを接続します。必要に応じて、付属のUSB-C-Aアダプターを使用します。
2. いつもお使いの会議ソフトウェアで会議を開始します。
3. お使いの会議ソフトウェアの機器設定で、マイク、スピーカー、およびカメラの機器として**Videobar VB1**を選択します。

VB1をスピーカーフォンに使用して通話をかけるには、次の手順に従います。

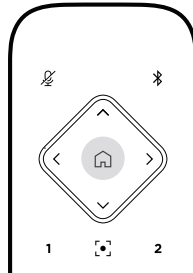
1. VB1の側面の**Bluetooth**ボタンを押して(または、リモコンのBluetoothボタンを3秒間長押しして)、VB1をペアリングモードにします。
2. お使いのモバイル機器で、利用可能なBluetooth機器をスキャンし、VB1を選択します。
3. モバイル機器から通話をかけます。音声は、お使いのモバイル機器からVB1のスピーカーおよびマイクに自動的にルーティングされます。

カメラの調整

注: リモコンの機能はすべてソフトウェアアプリ内でも利用できるため、アプリからVideobar VBIを設定できます。詳しくは、**ソフトウェアアプリケーション(23ページ)**をご覧ください。

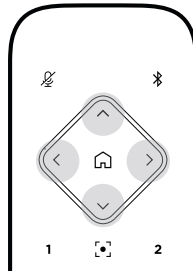
ヒント: カメラの設定をすばやく簡単に調整するには、モバイル機器でVideobar Mobileアプリを使用することをお勧めします。**Videobar Mobileアプリ(26ページ)**をご覧ください。

カメラのリセット



カメラをデフォルトの水平振り角、垂直振り角、およびズームの設定に戻すには、リモコンのホームボタンを押します。

水平および垂直振り角の調整



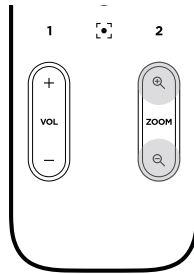
注: カメラが完全にズームアウトしていない場合のみ、水平および垂直振り角を調整できます。

カメラの水平(左右)角度を調整するには、リモコンのカメラ水平振り角ボタンのいずれか(<または>)を押します。

カメラの垂直(上下)角度を調整するには、リモコンのカメラ垂直振り角ボタンのいずれか(▲または▼)を押します。

ボタンを1回押すとカメラを段階的に調整でき、長押しすると連続調整できます。

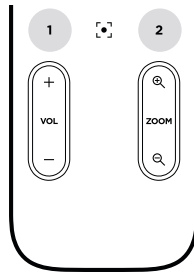
ズーム比率の調整



カメラのズーム比率を調整するには、リモコンのズームボタンのいずれか(+または-)を押します。

ボタンを1回押すとカメラを段階的に調整でき、長押しすると連続調整できます。

プリセットの保存および呼び出し



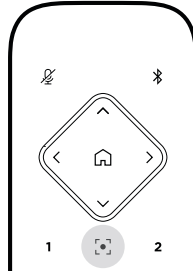
カメラの水平および垂直振り角、およびズームの設定を、プリセット1またはプリセット2に保存することができます。保存したプリセットを呼び出すとすぐに、カメラが保存された水平振り角、垂直振り角、およびズームの設定に戻ります。

プリセットを保存するには、次の手順に従います。

1. 水平および垂直振り角、およびズームの設定を好みに合わせて調整します。
2. リモコンの任意のプリセットボタン(プリセット1またはプリセット2)を3秒間長押しします。カメラの設定がそのプリセットに保存されます。

保存したプリセットを呼び出すには、リモコンの任意のプリセットボタン(プリセット1またはプリセット2)を押します。カメラの水平および垂直振り角、およびズームの設定は、保存されたプリセットの設定に即時変更されます。

オートフレーミングの有効化／無効化



カメラのオートフレーミング機能を有効化または無効化するには、リモコンの**オートフレーム**ボタンを押します。

有効化されると、カメラは水平および垂直振り角、およびズームの設定を自動的に連続調整し、部屋の参加者全員が視野角に収まるようにします。

注: 水平および垂直振り角、およびズームの設定を調整したり、**ホーム**、**プリセット1**、または**プリセット2**を選択したりすると、オートフレーミングは自動的に無効化されます。

無効化されている場合、カメラの水平振り角、垂直振り角、ズームの設定は手動で調整してください。

音量の管理

Videobar VB1には4種類の音声入力があります。本体マイク、USBオーディオ、Bluetoothオーディオ、およびアナログ入力(**AUDIO IN**ジャック)です。

VB1の音声出力は、本体スピーカー、USBオーディオ、およびBluetoothオーディオの3種類です。

AUDIO INジャックを除く全信号のリアルタイム音量は、Videobar ConfigurationアプリかWebUIの「**Meters**」(**メーター**)タブで確認できます。

ローカル音声の再生

USB、Bluetooth、またはアナログ入力を介した音楽または音声は、VB1のスピーカーを通して再生されます。この音声は、会議中の聞き手側には送信されません。

会議の音声

VB1のマイク音声は、アコースティックエコーキャンセレーション(AEC)機能の後に、(USB出力を介して)聞き手側に送信されます。

ローカル音声の再生がUSB入力を介して送信される場合は、VB1のスピーカーから再生されますが、音声聞き手側に送信される前に、AEC機能によってVB1のマイクが拾った音声から音楽が除去されます。

ローカル音声の再生を聞き手側に送信したい場合は、お使いの会議ソフトウェア内で音声再生アプリを共有します。

音量の調節

VB1には、VB1スピーカーとアナログ入力(**AUDIO IN**)のゲインの、2つの音量コントロールがあります。

VB1のスピーカーの音量を調節するには、リモコンの**音量+**または**-**ボタンを使用するか、ホストコンピューターの音量を調節するか、Bluetoothオーディオの音量を調節します。これらの3つの音量は常に同期しているため、1つを調節すると、その他の音量も調節されます。

注: リモコンの機能はすべてソフトウェアアプリ内でも利用できるため、アプリからVideobar VB1を設定できます。詳しくは、**ソフトウェアアプリケーション(23ページ)**をご覧ください。

必要に応じて、**アナログ入力ゲイン**を調節して、**AUDIO IN**ジャックに送信される信号を調整することで、ホストコンピューターやBluetoothオーディオからの公称レベルに一致させることができます。これは、Videobar ConfigurationアプリもしくはWebUI内、またはVideobar Administrationアプリ内で操作できます(**ソフトウェアアプリケーション(23ページ)**を参照)。

Bluetooth機器の管理

VB1が1度にペアリングできるBluetooth機器は1台です。例えば、Videobar Mobileアプリを使用して1台の機器とペアリングしながら、別の機器をペアリングして通話や音声を再生することはできません。

VB1とBluetooth機器のペアリング

Videobar Mobileアプリでは、Bluetooth Low Energy (BLE) を使用してBluetooth機器とVB1をペアリングします。アプリは、近くにあるVB1を自動的に「検出」します。

Videobar Mobileアプリを使用してBluetooth機器とVB1をペアリングするには、アプリを開き、任意のVB1を選択します。接続されると、VB1のフロントパネルにあるBluetoothインジケーターが白く点灯します。(詳しくは、**Videobar Mobileアプリ (26ページ)**をご覧ください。)

Bluetooth機器をペアリングして通話や音声を再生するには、次の手順に従います。

1. VB1の側面の**Bluetooth**ボタンを押して(または、リモコンのBluetoothボタンを3秒間長押しして)、VB1をペアリングモードにします。VB1のフロントパネルにあるBluetoothインジケーターが青く点滅します。
2. お使いのBluetooth機器で、利用可能なその他のBluetooth機器をスキャンし、VB1を選択します。接続されると、VB1のフロントパネルにあるBluetoothインジケーターが白く点灯します。

Bluetooth機器とVB1の接続解除

VB1は、前回ペアリングされたBluetooth機器と自動的に再接続されません。(距離、意図的な接続解除、その他の機器とのペアリングなどにより) Bluetooth接続が失われた場合は、手順に従って再度ペアリングする必要があります。

Bluetooth機器とVB1の接続を解除するには、次のうちいずれかを実行します。

お使いのモバイル機器のBluetooth接続を無効化します。

VB1の側面の**Bluetooth**ボタンを押します。

リモコンの**Bluetooth**ボタンを3秒間長押しします。

低電力モード

一部の国のエネルギー規制では、省エネルギーを目的として、使用していないときに低電力モードにすることをVB1のような製品に必須としています。Videobar ConfigurationアプリもしくはWebUI、またはVideobar Administrationアプリを使用することで、VB1のこの機能を無効化(または再度有効化)できます。(ソフトウェアアプリケーション(23ページ)を参照)。

VB1の低電力モードは、実際には、スタンバイモードと低電力スタンバイモードの2段階です。

低電力モードが有効化されている場合、18分間非アクティブな状態が続くと、VB1はスタンバイモードになります。2時間以上非アクティブな状態が続くと、VB1は低電力スタンバイモードになります。いずれのモードでも、VB1の前面のライトバーは消灯します。

低電力モードが無効化されている場合は、これらのモードがいずれも無効化されません。

特定のアクションまたはコマンドにより、VB1がスタンバイモードになるのを防いだり、スタンバイモードを「解除」(通常の動作に戻す)したり、低電力スタンバイモードを「解除」(通常の動作に戻す)したりできます。

アクションまたはコマンド		VB1がスタンバイモードになるのを防ぐ。	VB1のスタンバイモードを「解除」する。	VB1の低電力スタンバイモードを「解除」する。
ボタン操作	VB1の側面のミュートまたはBluetoothボタン	✓	✓	✓
	リモコンの任意のボタン	✓	✓	✓
USB	USB-Cポートへの機器の接続		✓	✓
	Videobar ConfigurationアプリまたはWebUIからの通信	✓		
	音声の再生	✓	✓	
Bluetooth	アクティブな接続	✓	✓	
	音声の再生	✓	✓	
Wi-FiまたはEthernet	Videobar ConfigurationアプリまたはWebUIからの通信	✓	✓	
	Videobar Administrationアプリからの通信	✓	✓	
HDMIディスプレイ	DisplayLinkが有効化されたHDMI DISPLAYポートへのコンピューターの接続	✓	✓	
音声入力	音声の再生	✓	✓	

お手入れについて

VB1のクリーニング

VB1は、定期的にクリーニングしてください。

乾いた柔らかい布で、外面を拭きます。

水分がグリルやケーブル/ワイヤーの接続部の中に入らないようにしてください。

交換部品とアクセサリ

交換部品とアクセサリは、Bose Professionalカスタマーサービスからご注文いただけます。次のサイトをご参照ください。**boseprofessional.com**

保証

保証の内容および条件につきましては、弊社Webサイト (**boseprofessional.com/warranty**) をご覧ください。

シリアル番号の位置

シリアル番号とモデル番号は、製品のリアパネルに記載されています。

シリアル番号は、Videobar ConfigurationアプリもしくはWebUI、またはVideobar Administrationアプリでも確認できます(ソフトウェアアプリケーション(23ページ)を参照)。

工場出荷時の設定に戻す

工場出荷時の設定に戻すと、次のことが実行されます。

VB1にペアリングされたBluetooth機器の一覧が消去されます。

カメラのプリセット(プリセット1およびプリセット2)が消去されます。

カメラ、マイク、およびスピーカーのすべての設定がデフォルトの値に戻ります。(これらのセットアップの多くは、Videobar ConfigurationソフトウェアまたはVideobar Administrationソフトウェアで設定します。)

管理者パスワードが**Bose123!**にリセットされます。

注: リセットの後、パスワードを変更することをお勧めします。

VB1のすべての設定を工場出荷時の設定に戻すには、次のうちいずれかを実行します。

リモコンで、**ホームボタン**と**オートフレームボタン**を同時に5秒間長押しします。

VB1の側面の**ミュートボタン**と**Bluetoothボタン**を同時に5秒間長押しします。

ライトバー中央のランプの小さなバーが繰り返し白く点滅します。その後、ランプの点灯が中央から外側に広がっていき、ライトバー全体が白く点灯します。同じパターンでランプが消灯します。このプロセスが完了すると、工場出荷時の設定でVB1が再起動します。

パスワードを忘れた場合

管理者の設定メニューにアクセスするためのパスワードを忘れた場合は、工場出荷時の設定に戻してパスワードをリセットする必要があります(**工場出荷時の設定に戻す(42ページ)**を参照)。

注: リセットの後、パスワードを変更することをお勧めします。

ソフトウェアの更新

Videobar ConfigurationアプリおよびVideobar Administrationアプリを使用して、VB1のファームウェア更新を確認およびインストールできます。これらのソフトウェアアプリのダウンロードおよびアクセスの方法については、**ソフトウェアアプリケーション(23ページ)**をご覧ください。

VB1の設定に**Videobar Configuration WebUI**を使用している場合は、お使いのコンピューターをインターネットに接続していないと、のサーバーからオンラインでファームウェアの確認および更新を自動的に行うことができません。

WebUIの使用中にファームウェアの更新にアクセスできない場合は、代わりに次のうちのいずれかを実行してください。

Videobar Configurationアプリを使用します。

Videobar Administrationアプリを使用します。

お使いのコンピューターに直接ファームウェアファイルをダウンロードした後、**Videobar Configuration WebUI**を使用して、以前のバージョンと同じようにファームウェアを更新します。

トラブルシューティング

最初にお試しいただくこと

VB1に問題が生じた場合は、まず下記の点をご確認ください。

VB1が電源に接続されていることを確認してください。

リアパネルに接続されているすべてのケーブルがしっかりと接続されていることを確認してください。**ケーブルの接続 (20ページ)**をご覧ください。

ステータスインジケータを確認してください。**フロントパネル (27ページ)**をご覧ください。

お使いのモバイル機器がBluetooth接続に対応していることを確認してください。

利用可能なVB1のソフトウェア更新があるかどうか確認してください。**ソフトウェアの更新 (42ページ)**をご覧ください。

Bluetooth機器をVB1に近づけ、障害物や干渉から遠ざけます。

VB1、コンピューター、Bluetooth機器、または他の音源の音量を調節してください。**音量の管理 (38ページ)**をご覧ください。

問題が解決しない場合は、次の表を参照して一般的な問題の症状と対処方法をご確認ください。それでも問題が解決できない場合は、Bose Professionalカスタマーサービスまでお問い合わせください。次のサイトをご参照ください。**boseprofessional.com**

問題	対処方法
PCが接続されていないのに、音楽が聞こえる。	Bluetoothインジケータが白く点灯しているかどうか確認してください。点灯している場合は、誰かのBluetooth機器がすでにVB1とペアリングされている可能性があります。VB1の側面の Bluetooth ボタンを押して、その機器との接続を解除してください。
音が小さすぎる、まったく聞こえない。	音量が低すぎる可能性があります。以下を使用して、音量を上げてください。 VB1のリモコン お使いのBluetoothモバイル機器(使用している場合) お使いの会議ソフトウェア(スピーカー音量) それでも音が聞こえない場合は、会議ソフトウェアのスピーカーとして VideoBar VB1 が選択されていることを確認してください。

問題	対処方法
音が歪む。	<p>音量が高すぎる可能性があります。以下を使用して、音量を下げてください。</p> <p>VB1のリモコン</p> <p>お使いのBluetoothモバイル機器 (使用している場合)</p> <p>お使いの会議ソフトウェア(スピーカー音量)</p>
コンピューターの音量を調節してもVB1の音量が変わらない。	<p>お使いのコンピューターでVB1がデフォルトのオーディオ再生デバイスとして選択されていない可能性があります(会議ソフトウェアがVB1で正常に動作している場合でも、この問題は発生します)。</p> <p>Windows: システムトレイ(タスクバー内)のスピーカーアイコンをクリックし、再生デバイスとして「Videobar VB1」を選択します。</p> <p>macOS: 画面左上のアップルアイコンをクリックし、「システム環境設定」を選択して、「サウンド」、「出力」の順にクリックします。デバイスリストから「Videobar VB1」を選択します。</p>
コンピューターまたはモバイル機器をVB1に接続すると、コンピューターまたはモバイル機器の音量が突然変わった。	<p>これは正常です。VB1は、機器と接続されると、すべての機器の音量を自動的に同期します。</p>
Videobar VB1が会議ソフトウェアのマイク、スピーカー、またはカメラとして表示されない。	<p>VB1がコンピューターのマイク、スピーカー、およびカメラのデバイスとして登録されるまで、30秒ほど待ちます。</p> <p>それでも表示されない場合は、次の解決策を試してください。</p> <p>USBケーブルがお使いのコンピューターにしっかりと接続されていることを確認してください。</p> <p>お使いのコンピューターの別のUSBポートとの接続を試してください。</p> <p>VB1の電源がオンである(電源コンセントにしっかりと接続されている)ことを確認してください。</p> <p>USBケーブルがVB1のリアパネルのUSB-Cポートにしっかりと接続されていることを確認してください。</p> <p>より短いUSBケーブルを試してください。</p>
会議ソフトウェアで、ビデオが使用または開始できないという内容のメッセージが表示される。	<p>これは通常、Videobar Configurationアプリまたは他のユニファイドコミュニケーションクライアントで、すでにカメラが使用および制御されている場合に発生します。ビデオを使用している他のアプリを閉じてください。</p>

問題	対処方法
<p>Videobar Configuration WebUIを使用してVB1を接続しようとすると、ブラウザーにセキュリティの警告が表示される。</p>	<p>これは、VB1が動的に割り当てられたIPアドレスに基づいたセキュリティ証明書を提示しないためであり、正常です。詳細な手順については、Videobar ConfigurationアプリおよびWebUI (24ページ)を参照してください。(コンピューターやWebブラウザーなどでの操作に自信がない場合は、まず自社のIT/システム管理者に確認してください。)</p>
<p>(HDMI DISPLAYポートに接続した)2台目のディスプレイにビデオの画像が映らない。</p>	<p>次の解決策を試してください。</p> <ul style="list-style-type: none"> ディスプレイの電源がオンになっていることを確認してください。 ディスプレイの入力/ソースがVB1に接続されたHDMIポートに設定されていることを確認してください。 HDMIケーブルがVB1とディスプレイにしっかりと接続されていることを確認してください。 お使いのコンピューターに最新のDisplayLinkドライバーがインストールされていることを確認してください(displaylink.com/downloads)。 お使いのコンピューターで2台目のディスプレイが(「ミラー」や「複製」ではなく)「拡張」に設定されていることを確認してください。 Videobar Configurationソフトウェアで、DisplayLinkの設定が有効化されていることを確認してください。
<p>HDMI DISPLAYポートに接続していないときでも、コンピューターがVB1を2台目のディスプレイとして検出する。</p>	<p>お使いのコンピューターのディスプレイが(2台目のディスプレイに「拡張」するのではなく)「ミラー」または「複製」に設定されていることを確認してください。</p>
<p>(HDMI DISPLAYポートに接続した)2台目のディスプレイのビデオの画像が音声信号と同期していない。</p>	<p>お使いのコンピューターのディスプレイ設定で、ビデオの解像度を低く設定してください。</p>
<p>(HDMI DISPLAYポートに接続した)2台目のディスプレイのビデオの画像が歪んでいる。</p>	<p>Bose Professionalが提供するケーブルまたは認定されたUSBケーブルを使用していることを確認してください。また、ケーブルが破損したり、捻れたりしていないことを確認してください。</p>


問題	対処方法
<p>手動で調整していないときも、カメラがズームイン/アウトする。</p>	<p>カメラのオートフレーミング機能が有効化されている可能性があります。リモコンのオートフレームボタンを押して、無効化してください。</p> <p>一部の会議ソフトウェアアプリにはオートフレーミングが組み込まれているため、画像が切れたり、カメラのズーム比率が変わったりすることがあります。可能な場合は、お使いの会議ソフトウェアでこの機能を無効化してください。</p>
<p>Bluetoothインジケータが青く点滅している。</p>	<p>これは正常です。VB1がBluetoothペアリングモードになっていることを示します（VB1の側面またはリモコンのBluetoothボタンが偶然に押された可能性があります）。</p>
<p>Bluetoothインジケータが白く点灯している。</p>	<p>これは正常です。VB1が音楽の再生や通話のためにBluetoothモバイル機器に接続されたか、Videobar Mobileアプリに接続されたことを示します。</p>
<p>ライトバーが点灯している。</p>	<p>ライトバー全体が点灯している場合は、アクティブな会議があることを示します。</p> <p>小さな範囲だけでランプが点灯している場合は、アクティブな会議がないことを示します。VB1の電源はオンになっています。詳しくは、ライトバー (31ページ)をご覧ください。</p>
<p>ライトバー中央の小さな範囲でランプが緑に点灯している。</p>	<p>これは正常です。VB1のカメラがオンであることを示します。（ライトバーの他のランプが白く点灯している場合は、アクティブな会議があることを示します。ライトバーの他のランプが消灯している場合は、アクティブな会議がないことを示します。）</p>

يُرجى قراءة كل تعليمات السلامة والأمان والاستخدام، والاحتفاظ بها.

إرشادات مهمة حول السلامة


- للحصول على مزيد من المعلومات حول نظام Bose Professional Videobar VB1 (بما في ذلك الملحقات وقطع الغيار)، تفضل بزيارة boseprofessional.com/VB1 أو اتصل بخدمة عملاء Bose Professional.
1. اقرأ هذه الإرشادات.
 2. احتفظ بهذه الإرشادات.
 3. انتبه إلى كل التحذيرات.
 4. اتبع كل الإرشادات.
 5. لا تستخدم هذا الجهاز بالقرب من الماء.
 6. لا تستخدم سوى قطعة قماش جافة لتنظيف الجهاز.
 7. لا تقم بسد أي فتحات للتهوية. ركب المنتج وفقاً لإرشادات الشركة المُصنِّعة.
 8. لا تقم بتثبيت المنتج بالقرب من أي مصدر للحرارة مثل شبكات التدفئة أو ممرات الحرارة أو الموافد أو أي جهاز آخر (بما في ذلك مكبرات الصوت) ينتج عنه حرارة.
 9. احم السلك الكهربائي من وطئه بالأقدام أو الضغط عليه، خصوصاً عند القوايس وعند مقابض الأجهزة التكميلية ونقطة خروجه من الجهاز.
 10. لا تستخدم سوى الإكسسوارات/الملحقات التي تحددها الشركة المُصنِّعة.
 11. لا تستخدمه إلا مع العربة أو الحامل أو الحامل الثلاثي القوائم أو كتيفة التثبيت أو المنضدة التي تحددها الشركة المُصنِّعة أو التي تُباع مع الجهاز. وعند استخدام العربة، توخ الحذر عند تحريك العربة/الجهاز معاً لتجنب الإصابة من جراء الانقلاب. 
 12. قم بفصل هذا الجهاز أثناء العواصف الرعدية أو عند عدم الاستخدام لفترات طويلة.
 13. أجر كل أعمال الصيانة بواسطة أفراد صيانة مؤهلين. يجب إجراء الصيانة عند تلف الجهاز بأي شكل من الأشكال، مثل تلف سلك التغذية الكهربائية أو القابض أو انسكاب سائل أو سقوط أغراض عليه أو تعرضه للمطر أو الرطوبة أو في حال عدم عمله بشكل اعتيادي أو في حال سقوطه.


تحذيرات/تنبيهات

يشير هذا الرمز المتوفر على المنتج إلى وجود جهد كهربائي خطير وغير معزول داخل علبة المنتج، ما قد يشكل خطر التعرُّض لصدمة كهربائية. 

يشير هذا الرمز المتوفر على المنتج إلى وجود إرشادات مهمة متعلقة بالتشغيل والصيانة في هذا الدليل. 

يحتوي على أجزاء صغيرة قد تتسبب بالاختناق. غير مناسب للأطفال دون عمر 3 سنوات. 

يحتوي هذا المنتج على مادة مغناطيسية. استشر طبيبك لمعرفة ما إذا كان سيؤثر ذلك في الجهاز الطبي المزروع في جسمك. 

استخدمه على ارتفاع لا يتخطى 2000 متر فقط. 

يجب تركيب كل منتجات Bose Professional وفقاً للوائح المحلية والحكومية والفيدالية والصناعية. يتحمل فني التركيب المتخصص مسؤولية ضمان تركيب مكبرات الصوت ونظام التثبيت بالتوافق مع كل القوانين المطبقة، بما في ذلك قوانين ولوائح البناء المحلية.

يرجى مراجعة السلطة المحلية صاحبة الاختصاص قبل تركيب هذا المنتج.

عند تعديل وضعية المنتج، تأكد من أنه لا يحجب أي فتحات تهوية على الشاشة. راجع دليل المالك لشاشتك وركبها وفقاً لتعليمات الشركة المصنعة.

لا تقم بإجراء أي تعديلات غير مصرح بها على هذا المنتج.

عند الحاجة إلى بطاريات بديلة، استخدم بطاريات الكالين AAA/LR03 فقط.

قد تشكل البطارية المرفقة مع هذا المنتج خطراً يؤدي إلى اندلاع حريق، أو انفجار، أو قد تُسبب حرقاً كيميائياً إذا أسيء استخدامها، أو تم استبدالها بطريقة غير صحيحة، أو استبدالها بنوع غير صحيح. لا تقم بإعادة شحنها أو فكها أو تسخينها أو حرقها.

أبقى البطاريات بعيداً عن متناول الأطفال.

في حال حدث تسرب في البطارية، لا تدع السائل يلامس بشرتك أو عينيك. واستشير الطبيب في حال ملامستها.

لا تعرض المنتجات التي تحتوي على بطاريات لحرارة زائدة (على سبيل المثال، جراء تخزينها تحت أشعة الشمس المباشرة أو تعريضها للنار أو ما شابه).

لا تستخدم سوى المعذات المرفقة لتركيب هذا المنتج.

للتثبيت على الحائط، على الأسطح التالية: لوح جداري كـ 8/3 بوصة (10 مم)

في حال تركيبه على أسطح مختلفة عن تلك المذكورة أعلاه، الرجاء الاتصال باختصاصي التركيب.

إن كبلات التوصيل المضمنة في هذا النظام غير معتمدة للتركيب في الحائط. يُرجى مراجعة قوانين البناء المحلية لمعرفة نوع السلك ونوع الكبل الصحيحين والمطلوبين للتركيب في الحائط.

لا تقم بالتثبيت على أسطح غير قوية أو توجد خلفها مخاطر خفية، مثل الأسلاك الكهربائية أو أنابيب المياه.

لا تستخدم المنتج في السيارات أو على متن القوارب.

نظراً إلى متطلبات التهوية، لا تنصح Bose Professional بوضع المنتج في مكان ضيق مثل وضعه في تجويف بالحائط أو في خزانة مغلقة.

لا تضع الكتيفة أو المنتج أو تركبهما بالقرب من أي مصدر للحرارة مثل المدافئ أو المواقد أو شبكات التبريد أو ممرات الحرارة أو أي أجهزة أخرى (بما في ذلك مكبرات الصوت) تنتج منها حرارة.

أبقى المنتج بعيداً عن مصادر اللهب والحرارة. لا تضع أي مصادر لهب مكشوفة، مثل الشموع المشتعلة، على المنتج أو بالقرب منه.

لتقليل خطر نشوب حريق أو حدوث صدمة كهربائية، لا تعرض المنتج للمطر أو السوائل أو الرطوبة.

لا تعرض هذا المنتج لقطرات السوائل المتساقطة أو المتناثرة ولا تضعه أو عية مليئة بالسوائل، مثل أواني الزهور، على المنتج أو بالقرب منه.

هذا المنتج غير مصمم للتركيب أو الاستخدام داخل مرافق المياه في الأماكن المغلقة (بما في ذلك، على سبيل المثال لا الحصر، المسابح الداخلية والمنتزهات المائية المغلقة وغرف أحواض الاستحمام الساخنة وغرف الساونا وغرف البخار وحلبات التزلج الداخلية).

لا تقم بتركيب هذا المنتج في الأماكن التي قد يحدث فيها تكثيف.

لا تستخدم عاكساً لمصدر الطاقة مع هذا المنتج.

لا تستخدم سوى مصدر التغذية الكهربائية المرفق مع هذا المنتج.

عند استخدام قابس الطاقة الرئيسي أو وصلة الجهاز كجهاز فصل، يجب الحفاظ على جهاز الفصل هذا في وضع جاهز للتشغيل.

المعلومات التنظيمية

الأبعاد (الارتفاع × العرض × العمق): 48 × 659 × 102 مم (1,9 × 27,0 × 4,0 بوصات)
الوزن الصافي: 2,5 كجم (5,6 أرطال)

قدرة الإرسال: 24 فولت بتيار مستمر --- 1,875 أمبير

يجب تركيب هذا الجهاز وتشغيله على مسافة 20 سم على الأقل بين مصدر الإشعاع وجسمك.

يجب استخدام كبلات محمية للحفاظ على الامتثال التنظيمي

CAN ICES-3 (B)/NMB-3(B)

معلومات حول المنتجات التي تحدث تشويشًا كهربائيًا (إشعار التوافق مع قواعد لجنة الاتصالات الفيدرالية (FCC) للولايات المتحدة)

ملاحظة: تم اختبار هذا الجهاز ووجد أنه يتوافق مع حدود جهاز رقمي من الفئة B وفقًا للجزء رقم 15 من قواعد لجنة الاتصالات الفيدرالية (FCC). وقد تم وضع هذه الحدود بحيث تضمن الحماية المعقولة من التداخل الضار عند تركيب الجهاز في منطقة سكنية. يقوم هذا الجهاز بتوليد طاقة ترددات لاسلكية ويستخدمها ويشعها، وقد يتسبب في حدوث تداخل ضار مع الاتصالات اللاسلكية إذا لم يتم تركيبه واستخدامه حسب التعليمات. ومع ذلك فما من ضمان بعدم حدوث تداخل عند التركيب بطريقة معينة. وإذا تسبب هذا الجهاز في حدوث تداخل ضار مع استقبال الراديو أو التلفزيون والذي يمكن تحديده من خلال تشغيل الجهاز وإيقاف تشغيله، فننصح المستخدم بمحاولة تصحيح هذا التداخل بالقيام بإجراء أو أكثر من الإجراءات التالية:

تغيير اتجاه هوائي الاستقبال أو موضعه.

زيادة المسافة بين الجهاز وجهاز الاستقبال.

توصيل الجهاز بماخذ كهربائي موجود على دائرة كهربية مختلفة عن الدائرة التي تم توصيل جهاز الاستقبال بها.

استشارة الوكيل أو فني تلفاز/راديو متخصص لطلب المساعدة.

قد يؤدي القيام بأي تغييرات أو تعديلات بدون موافقة صريحة من شركة Bose Professional إلى إلغاء ترخيص المستخدم لتشغيل هذا الجهاز.

يتوافق هذا الجهاز مع الجزء 15 من قواعد لجنة الاتصالات الفيدرالية (FCC) ومع معيار (معايير) RSS المعفى من ترخيصISED Canada.

يخضع التشغيل للشرطين التاليين: (1) يجب ألا يتسبب هذا الجهاز في أي تداخل ضار، (2) ويجب أن يقبل هذا الجهاز أي تداخل يتم استقباله بما في ذلك التداخل الذي قد يتسبب في تشغيل غير مرغوب فيه.

قواعد نظام إدارة أجهزة التردد اللاسلكي المنخفضة الطاقة

المادة XII: وفقًا لقواعد "نظام إدارة أجهزة التردد اللاسلكي المنخفضة الطاقة" لا يمكن لأي شركة أو مؤسسة أو مستخدم تغيير التردد أو تعزيز نقل الطاقة أو تعديل السمات الأصلية أو الأداء لأي جهاز تردد لاسلكي معتمد ومنخفض الطاقة بدون إذن من FCC.

المادة XIV: يجب ألا تؤثر أجهزة التردد اللاسلكي المنخفضة الطاقة على أمن الطائرات وألا تتداخل مع الاتصالات القانونية؛

وفي حال كانت هذه هي الحالة، يجب على المستخدم إيقاف تشغيل الأجهزة على الفور إلى أن يتم إيقاف أي تداخل. تعني الاتصالات القانونية المذكورة الاتصالات اللاسلكية المتوافقة مع قانون الاتصالات.

يجب أن تكون أجهزة التردد اللاسلكي المنخفضة الطاقة عرضة للتداخل من قبل الاتصالات القانونية أو الأجهزة المشعة للموجات اللاسلكية بنطاق ISM.

تعلن شركة Bose Professional بموجب أن هذا المنتج يتوافق مع المتطلبات الأساسية لتوجيه EC/53/2014 والأحكام الأخرى ذات الصلة وكل المتطلبات الأخرى المعمول بها لتوجيه الاتحاد الأوروبي. ويمكنك العثور على البيان الكامل للتوافق على: www.Bose.com/compliance.



يتوافق هذا المنتج مع كافة لوائح التوافق الكهرومغناطيسي المعمول بها لعام 2016 وجميع اللوائح التنظيمية الأخرى المعمول بها في المملكة المتحدة. ويمكنك العثور على البيان الكامل للتوافق على: www.Bose.com/compliance

تعلن شركة Bose Professional بموجب هذا المستند أن هذا المنتج يتوافق مع المتطلبات الأساسية للوائح الأجهزة اللاسلكية لعام 2017 وجميع لوائح المملكة المتحدة الأخرى المعمول بها. ويمكنك العثور على البيان الكامل للتوافق على: www.Bose.com/compliance

يمكن استخدام هذا الجهاز بنطاق تردد يتراوح ما بين 5150 و5250 ميجاهرتز في الأماكن الداخلية فقط للتخفيف من احتمال التداخل الضار مع أنظمة قنوات الأقمار الصناعية المتقلة ذات القنوات المشتركة.

أوروبا:

نطاق تردد العملية التشغيلية من 2400 إلى 2483.5 ميجاهرتز:

Wi-Fi/Bluetooth®: الحد الأقصى لنقل الطاقة أقل من 20 ديسيبل مللي واط من القدرة المشعة المكافئة المتاحة.

Bluetooth منخفض الطاقة: الحد الأقصى لكثافة القدرة الطيفية أقل من 10 ديسيبل ميلي واط/ميجاهرتز من القدرة المشعة المكافئة المتاحة.

نطاقات تردد التشغيل من 5150 إلى 5350 ميجاهرتز ومن 5470 إلى 5725 ميجاهرتز:

Wi-Fi: الحد الأقصى لنقل الطاقة أقل من 20 ديسيبل مللي واط من القدرة المشعة المكافئة المتاحة.

يقتصر هذا الجهاز على الاستخدام الداخلي عند تشغيله في النطاق الترددي من 5150 إلى 5350 ميجاهرتز في كل الدول الأعضاء في الاتحاد الأوروبي المدرجة في الجدول.

اليونان	البرتغال	ألمانيا	بلغاريا	السويد	التمسا	المجر	سلوفاكيا	فرنسا	قبرص	المملكة المتحدة (أيرلندا الشمالية)	جمهورية أيرلندا	الدانمارك	بلجيكا	كرواتيا	لافتيا	ليتوانيا	مالتا	بولندا	التشيك	إستونيا	فنلندا	إسبانيا	إيطاليا	رومانيا	لوكسمبورج	هولندا	سلوفينيا
---------	----------	---------	---------	--------	--------	-------	----------	-------	------	------------------------------------	-----------------	-----------	--------	---------	--------	----------	-------	--------	--------	---------	--------	---------	---------	---------	-----------	--------	----------



يشير هذا الرمز إلى أنه يجب عدم التخلص من المنتج مع النفايات المنزلية، بل يجب تسليمه إلى منشأة تجميع مناسبة لإعادة تدويره. ويساعد التخلص السليم وإعادة التدوير في حماية الموارد الطبيعية وصحة الإنسان والبيئة. للحصول على مزيد من المعلومات حول التخلص من هذا المنتج وإعادة تدويره، اتصل بالبلدية المحلية أو خدمة التخلص من النفايات أو المتجر الذي اشتريته منه هذا المنتج.

يرجى التخلص من البطاريات المستخدمة بطريقة سليمة، باتباع أي من القوانين المحلية. لا تقم بحرقها.



جدول المواد الخطرة المحظور استخدامها بالصين

أسماء ومحتويات المواد أو العناصر السامة أو الخطرة						
المواد والعناصر السامة أو الخطرة						
اسم الجزء	الرصاص (Pb)	الزئبق (Hg)	الكادميوم (Cd)	سداسي الكروم (Cr(VI))	ثنائي الفينيل المعالج بالبروم (PBB)	أثير ثنائي الفينيل المعالج بالبروم (PBDE)
ثنائي الفينيل المعامل بالكلور المتعدد	X	O	O	O	O	O
الأجزاء المعدنية	X	O	O	O	O	O
الأجزاء البلاستيكية	O	O	O	O	O	O
مكبرات الصوت	X	O	O	O	O	O
الكبلات	X	O	O	O	O	O
تم إعداد هذا الجدول وفقاً لأحكام معيار SJ/T 11364.						
O: يشير إلى أن هذه المادة السامة أو الخطرة الموجودة في كل المواد المتجانسة لهذا الجزء أقل من متطلبات تقييد معيار GB/T 26572.						
X: يشير إلى أن هذه المادة السامة أو الخطرة الموجودة على الأقل في إحدى المواد المتجانسة لهذا الجزء أعلى من متطلبات التقييد لمعيار GB/T 26572.						



جدول المواد الخطرة المحظور استخدامها في تايوان

اسم الجهاز: Bose Videobar VB1 تخصيص النوع: 433869						
المواد المحظورة والرموز الكيميائية لها						
الوحدة	الرصاص (Pb)	الزئبق (Hg)	الكادميوم (Cd)	الكروم سداسي التكافؤ (Cr+6)	ثنائي الفينيل المعالج بالبروم (PBB)	أثيرات ثنائي الفينيل المعالج بالبروم (PBDE)
ثنائي الفينيل المعامل بالكلور المتعدد	-	O	O	O	O	O
الأجزاء المعدنية	-	O	O	O	O	O
الأجزاء البلاستيكية	O	O	O	O	O	O
مكبرات الصوت	-	O	O	O	O	O
الكبلات	-	O	O	O	O	O
ملحوظة 1: "O" تشير إلى أن النسبة المئوية لمحتوى المادة المحظورة لا تتجاوز النسبة المئوية للقيمة المرجعية الموجودة.						
ملحوظة 2: "-" تشير إلى أن المادة المحظورة تطابق مع الإغفاء.						

تاريخ التصنيع: يشير الرقم الثامن في الرقم التسلسلي إلى سنة التصنيع؛ حيث يشير الرقم "3" إلى 2013 أو 2023.

المستورد في الصين: Bose Electronics (Shanghai) Company Limited, Level 6, Tower D, No. 2337 Gudai Rd. Minhang District, Shanghai 201100

المستورد في الاتحاد الأوروبي: Bose Products B.V., Gorslaan 60, 1441 RG Purmerend, The Netherlands

المستورد في المكسيك: Bose de México, S. de R.L. de C.V., Paseo de las Palmas 405-204, Lomas +5255 (5202) 3545 de Chapultepec, 11000 México, D.F.

المستورد في تايوان: Bose Taiwan Branch, 9F-A1, No. 10, Section 3, Minsheng East Road, Taipei City 104, Taiwan +886-2-2514 7676 رقم الهاتف

المستورد في المملكة المتحدة: Bose Limited, Bose House, Quayside Chatham Maritime, Chatham, Kent, ME4 4QZ بالمملكة المتحدة

Bose Corporation, Framingham, MA 01701, U.S.A. 1-877-230-5639

جدول حالات طاقة المنتج

يمثل المنتج، وفقاً لمتطلبات التصميم الإيكولوجي لتوجيهات المنتجات ذات الصلة بالبطاقة 2009/125/EC، مع القاعدة (القواعد) التالية أو المستند (المستندات) التالية: اللائحة (المفوضية الأوروبية) رقم 1275 لسنة 2008، بصيغتها المعدلة بموجب لائحة (الاتحاد الأوروبي) رقم 801 لسنة 2013.

معلومات حالة الطاقة المطلوبة	أوضاع الطاقة
استهلاك الطاقة في وضع الطاقة المحدد، عند دخل 230 فولت/50 هرتز	وضع الاستعداد وضع الاستعداد الشبكي $\geq 0,5$ واط
الوقت الذي بعد انتهائه يتم تبديل الجهاز تلقائياً إلى الوضع	≥ 20 دقيقة ساعة
استهلاك الطاقة في وضع الاستعداد الشبكي في حال توصيل جميع منافذ الشبكة السلكية وتنشيط جميع منافذ الشبكة اللاسلكية عند دخل 230 فولت/50 هرتز	$\geq 2,0$ واط
إجراءات إلغاء تنشيط/تنشيط منفذ الشبكة. سيؤدي إلغاء تنشيط جميع الشبكات إلى تمكين وضع الاستعداد.	Wi-Fi: إلغاء التنشيط عن طريق استعادة إعدادات المصنع الافتراضية: اضغط مع الاستمرار على الزرين Home (الرئيسي) وAutoframe (ضبط الإطار تلقائياً) على الريموت كنترول في الوقت نفسه لمدة 5 ثوان، أو اضغط مع الاستمرار على زرّي Mute (كتم الصوت) وBluetooth على جانب الوحدة في الوقت نفسه لمدة 5 ثوان. قم بتنشيط الشبكة عبر تطبيق VideoBar Mobile.
	Ethernet: إلغاء التنشيط من خلال إزالة كبل إيثرنت. التنشيط عن طريق إدخال كبل إيثرنت.
	Bluetooth: إلغاء التنشيط عن طريق استعادة إعدادات المصنع الافتراضية: اضغط مع الاستمرار على الزرين Home (الرئيسي) وAutoframe (ضبط الإطار تلقائياً) على الريموت كنترول في الوقت نفسه لمدة 5 ثوان، أو اضغط مع الاستمرار على زرّي Mute (كتم الصوت) وBluetooth على جانب الوحدة في الوقت نفسه لمدة 5 ثوان. قم بالتنشيط من خلال الإقران بأحد مصادر Bluetooth.

المعلومات الفنية المتعلقة بوحدة التغذية الكهربائية الخارجية

تمثل وحدة التغذية الكهربائية المتوفرة مع المنتج، وفقاً لمتطلبات التصميم الإيكولوجي لتوجيهات المنتجات ذات الصلة بالبطاقة 2009/125/EC، للقاعدة (القواعد) أو المستند (المستندات) التالي: لائحة اللجنة (الاتحاد الأوروبي) لعام 2019/1782.

الشركة المصنّعة	Bose Products B.V.
رقم التسجيل التجاري	36037901
العنوان	Gorslaan 60 1441 RG Purmerend The Netherlands
معرف الطراز	DT24V-1.8C-DC
الجهد الكهربائي للدخل	100 فولت - 240 فولت
تردد التيار المتردد للدخل	50 هرتز/60 هرتز
الجهد الكهربائي للخروج	24 فولت بـتيار مستمر
التيار الكهربائي للخروج	1,9 أمبير
طاقة الخرج	45 واط
متوسط الكفاءة النشطة	89,9%
الكفاءة عند التحميل المنخفض (10%)	87,0%
استهلاك الطاقة من دون تحميل	0,07 واط

التراخيص والمعلومات القانونية

إن Bose هي عالمة تجارية لشركة Bose Corporation.

إن Videobar هي عالمة تجارية لشركة Transom Post OpCo LLC.

إن DisplayLink® علامة تجارية مسجلة لشركة DisplayLink Crop. في الاتحاد الأوروبي والولايات المتحدة وبلدان أخرى.



إن مصطلحي HDMI، وHDMI High-Definition Multimedia Interface، وشعار HDMI هي علامات تجارية مسجلة لشركة HDMI Licensing Administrator, Inc.



إن Google Play وAndroid وGoogle LLC هما علامتان تجاريتان لشركة Google LLC.

تُعد علامة كلمة Bluetooth® وشعاراتها علامات تجارية مُسجّلة تملكها شركة Bluetooth SIG, Inc.، وأي استخدام لهذه العلامات من قبل شركة Bose Professional يكون بموجب ترخيص.

إن macOS علامة تجارية لشركة Apple Inc.

إن USB Type-C® وUSB-C® علامتان تجاريتان مسجلتان لصالح شركة USB Implementers Forum، ومخصصتان للاستخدام مع المنتجات التي تعتمد على مواصفات موصل وكبل USB Type-C® وتتوافق معها فقط.

إن Wi-Fi علامة تجارية مسجلة لشركة Wi-Fi Alliance®.

كل العلامات التجارية الأخرى ملك لأصحابها المعنيين.

لعرض إقرارات الترخيص السارية على مجموعات برامج الجهة الخارجية المدمجة بوصفها مكونات لمنتج Videobar VB1:

Videobar VB1: قم بتنزيل تطبيق **Videobar Mobile** وفتحه على الهاتف المحمول، وانقر على أيقونة **Settings** (الإعدادات)، ثم انقر على **End User License Agreement** (اتفاقية ترخيص المستخدم).

تطبيق **Videobar Mobile** على الهاتف المحمول: انقر على أيقونة **Settings** (الإعدادات)، ثم انقر على **End User License Agreement** (اتفاقية ترخيص المستخدم).

تطبيق **Videobar Configuration** أو واجهة **WebUI**: انقر فوق أيقونة **Settings** (الإعدادات)، ثم انقر فوق **End User License Agreement** (اتفاقية ترخيص المستخدم).

تطبيق **Videobar Administration**: انقر فوق القائمة (☰)، وانقر فوق **About Videobar Administration** (حول Videobar Administration)، ثم انقر فوق **End User License Agreement** (اتفاقية ترخيص المستخدم).

تتوفر سياسة الخصوصية الخاصة بـ Bose Professional على موقع boseprofessional.com.

حقوق الطبع والنشر © لعام 2023 لشركة Transom Post OpCo LLC. يجب عدم استنساخ أي جزء من هذا المستند أو تعديله أو توزيعه أو حتى استخدامه بدون إذن خطي مسبق.

يُرجى إكمال المعلومات التالية والاحتفاظ بها ضمن سجلاتك.

يتوفر الرقم التسلسلي ورقم الطراز على اللوحة الخلفية من المنتج.

الرقم التسلسلي: _____

رقم الطراز: _____

معلومات حول الضمان

يأتي هذا المنتج مع ضمان محدود.

للحصول على تفاصيل عن الضمان، تفضل بزيارة boseprofessional.com/warranty.

محتويات اللعبة الكرتونية

10 المحتويات

الإعداد

12 إرشادات عامة حول التركيب

13 تركيب جهاز VB1 على طاولة أو رف أو خزانة الكتب

14 تثبيت جهاز VB1 على الحائط

19 غطاء الخصوصية للكاميرا

20 توصيلات الكبل

21 إدارة الكبل

تطبيقات البرنامج

24 تطبيق Videobar Configuration واجهة WebUI

26 تطبيق Videobar Administration

26 تطبيق Videobar Mobile

تفاصيل المنتج

27 اللوحات

27 اللوحة الأمامية

28 اللوحة الجانبية

29 اللوحة الخلفية

30 الريموت كنترول

31 شريط الضوء

التشغيل

34بدء الاجتماع.
35ضبط الكاميرا
35إعادة ضبط الكاميرا.
35ضبط زوايا التحريك والإمالة
36ضبط نسبة التكبير/التصغير
36حفظ الضبط المسبق واستدعاؤه
37تمكين/تعطيل ضبط الإطار تلقائيًا
38إدارة مستويات الصوت.
38تشغيل الصوت المحلي
38صوت الاجتماع
38ضبط مستويات الصوت
39إدارة الأجهزة المزودة بخاصية Bluetooth
39إقران أحد الأجهزة المزودة بخاصية Bluetooth مع جهاز VB1
39فصل أحد الأجهزة المزودة بخاصية Bluetooth عن VB1
40أوضاع الطاقة المنخفضة

الرعاية والصيانة

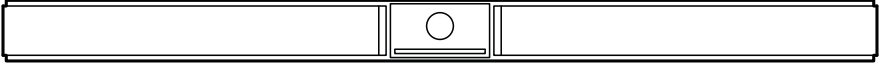
41تنظيف جهاز VB1
41قطع الغيار والملحقات
41الضمان المحدود
41مواقع الرقم التسلسلي
42استعادة إعدادات المصنع الافتراضية
42نسيان كلمة المرور
42تحديث البرنامج

استكشاف الأخطاء وإصلاحها

43جرب هذه الحلول أولاً.
----	----------------------------

محتويات العلبة الكرتونية

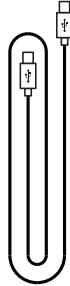
المحتويات



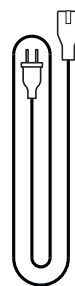
Videobar VB1



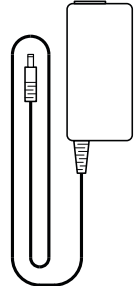
كبل HDMI



كبل USB Type-C®

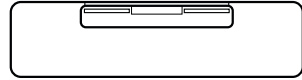


سلك كهربائي



وحدة التغذية الكهربائية

أ □ برغي حامل منضدي (2)



حامل منضدي

ب مثبت كبير للحائط الجاف (4)



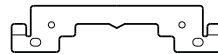
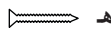
ج دبوس ضغط للتثبيت على الحائط الجاف



د برغي برأس محدب (2)



هـ برغي برأس مسطح (2)

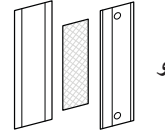


كتيفة تثبيت على الحائط

ز مثبت صغير للحائط الجاف (2)



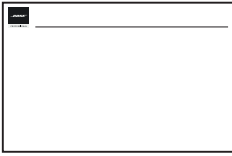
ح برغي صغير برأس مسطح (2)



ي مثبت صغير للحائط الجاف

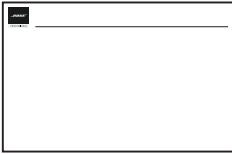
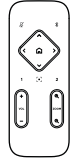


ك برغي صغير برأس مسطح



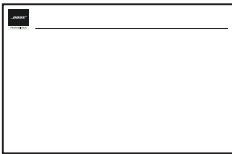
دليل البدء السريع

الريموت كمنترول



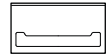
دليل الإعداد للتركيب على الطاولة

بطاريات (2) AAA/LR03



دليل الإعداد للتركيب على الحائط

غطاء الخصوصية للكاميرا



محول من USB-C إلى USB-A



دليل إرشادات السلامة

موصل طرفي من النوع الأوروبي Euroblock مزود بملاصين



إرشادات عامة حول التركيب

لا تضع جهاز VB1 على جانبه الأمامي أو الخلفي أو العلوي عند استخدامه.

احرص على عدم وضع أي جسم فوق جهاز VB1.

تجنب وضع جهاز VB1 بالقرب من فتحات تكييف الهواء أو السخانات أو شبكات التدفئة أو المراوح أو مصادر الضوضاء أو الاهتزازات الأخرى.

لتجنب أي تداخل لاسلكي، أبعاد الأجهزة اللاسلكية الأخرى بمسافة **0,3 - 0,9 متر (1 - 3 أقدام)** عن جهاز VB1. ضع جهاز VB1 في الخارج وبعيدًا عن الكابلات المعدنية ومكونات الصوت/الفيديو الأخرى ومصادر الحرارة المباشرة.

تأكد من وجود مأخذ التيار المتردد (الرئيسي) في مكان قريب.

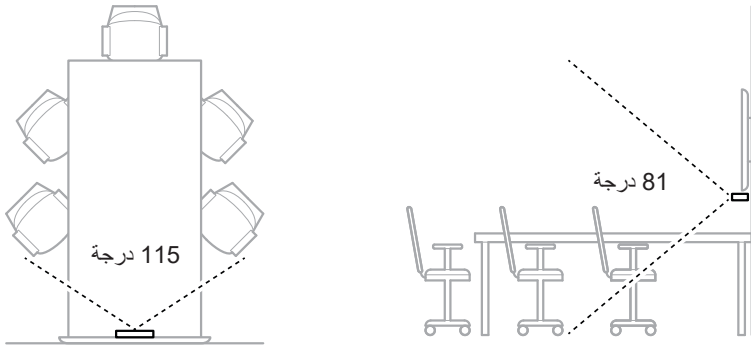
ضع جهاز VB1 مباشرة أسفل تلفازك (الوضع المفضل) أو أعلاه بحيث يكون الحاجز الشبكي متجهًا إلى داخل الغرفة.

للحصول على أفضل جودة صوت، تجنب وضع جهاز VB1 في كابينة مغلقة أو في وضع مائل في أحد الأركان.

تأكد من ملاءمة مساحة الجلوس الخاصة بجميع المشاركين في الاجتماع ضمن مجال رؤية الكاميرا (FOV). يجب أن يكون جميع المشاركين في الاجتماع في مجال الرؤية حتى تعمل ميزة ضبط الإطار تلقائيًا بشكل صحيح (راجع تمكين/تعطيل ضبط الإطار تلقائيًا (الصفحة 37)).

يبلغ مجال رؤية كاميرا VB1 115 درجة أفقيًا، و81 درجة رأسيًا.

احرص على أن تكون غرفة الاجتماعات مضاءة جيدًا أثناء الاجتماعات.

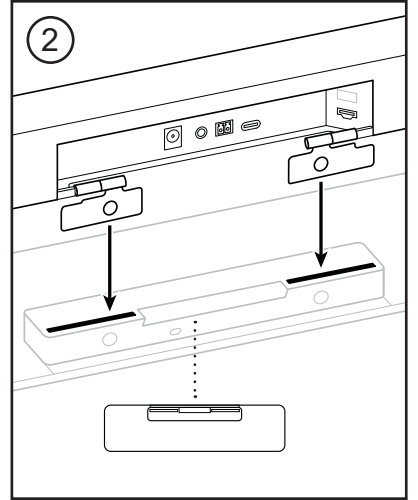
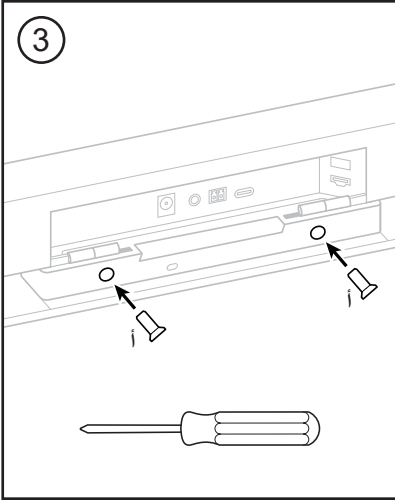
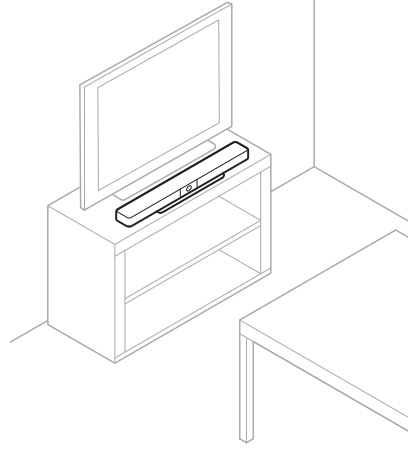
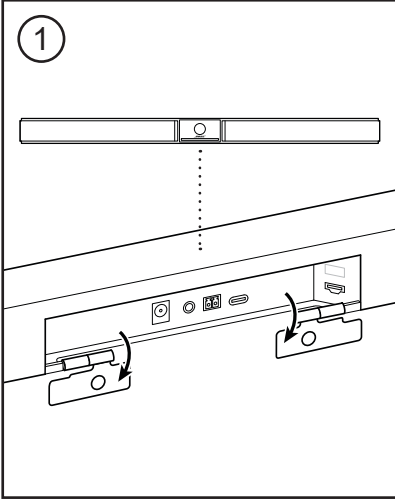


تركيب جهاز VB1 على طاولة أو رف أو خزانة كتب

للحصول على أفضل أداء، عند إعداد جهاز VB1 على طاولة أو رف أو خزانة كتب أو ما إلى ذلك، اتبع هذه التوصيات:

ضع جهاز VB1 فوق الحامل المنضدي الخاص به على سطح ثابت ومستوي.

ضع الجزء الأمامي من جهاز VB1 بحيث لا يظهر سطح الدعم في صورة الكاميرا. احرص على أن تكون غرفة الاجتماعات مضاءة جيدًا أثناء الاجتماعات.



تثبيت جهاز VB1 على الحائط

للحصول على أفضل أداء، اتبع هذه التوصيات عند إعداد جهاز VB1 للتثبيت على الحائط:

عند تحديد مكان تثبيت كتيفة التثبيت على الحائط، تأكد من وجود مساحة كافية حول كتيفة التثبيت لتركيب جهاز VB1:

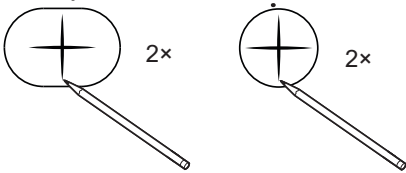
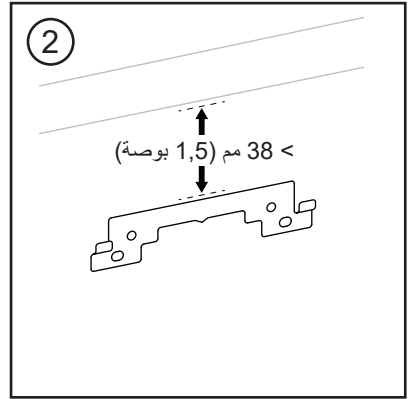
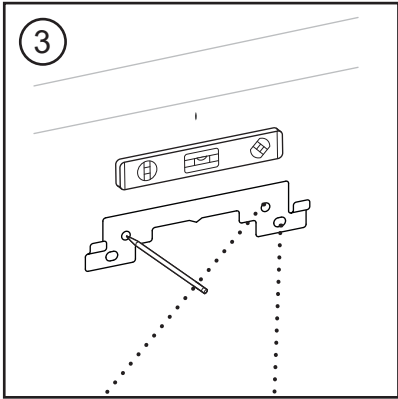
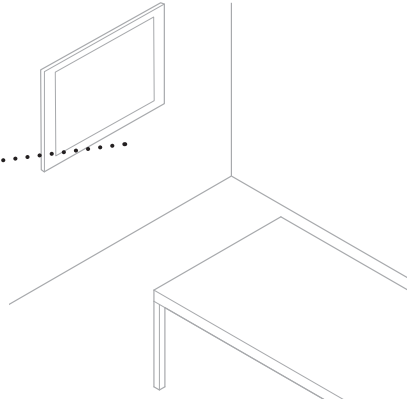
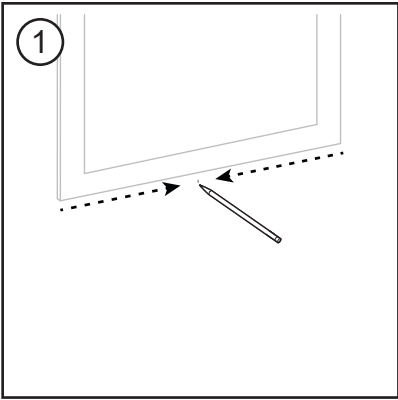
يجب أن تتوفر مساحة بمقدار **3,8 سم (1,5 بوصة)** على الأقل فوق كتيفة التثبيت على الحائط. سيتيح لك ذلك "تعلق" جهاز VB1 عليها (الخطوة 7) وضبط زاويته. ويوفر كذلك مساحة كافية للوصول إلى وصلات اللوحة الخلفية على جهاز VB1.

يجب أن تتوفر مساحة بمقدار **11,4 سم (4,5 بوصة)** على الأقل أسفل كتيفة التثبيت على الحائط. سيتيح لك ذلك تعليق جهاز VB1 رأسياً أثناء التركيب لإدخال الكبلات وضبط زاويته.

يجب أن يبلغ عرض المساحة **73,7 سم (29,0 بوصة)** على الأقل - مع وجود كتيفة التثبيت على الحائط في منتصفها. وهذا أمر ضروري لاستيعاب جهاز VB1 بالإضافة إلى توفير مساحة للوصول إلى المنفذ الصوتي والأزرار الموجودة على جانبي جهاز VB1 (يجب أن تتوفر مساحة بمقدار **2,5 سم (1,0 بوصة)** على كل جانب). لا تستخدم سوى المعدّات المرفقة لتركيب هذا المنتج.

ملاحظة: يجب توفر أدوات إضافية.

ملاحظة: اقرأ إرشادات السلامة المهمة والمضمّنة قبل المتابعة.



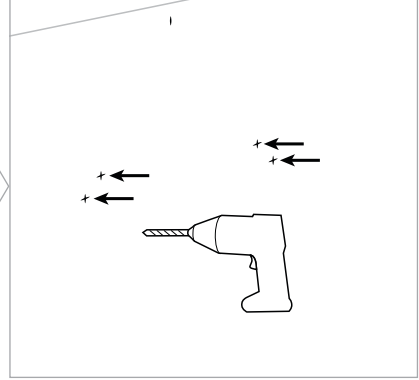
تحذيرات:

لا تقم بالثبييت على أسطح غير قوية أو توجد خلفها مخاطر خفية، مثل الأسلاك الكهربائية أو أنابيب المياه. في حال التردد، الرجاء الاتصال باختصاصي تركيب محترف.
لا يناسب الجهاز المضمّن أسطح أعمال البناء.

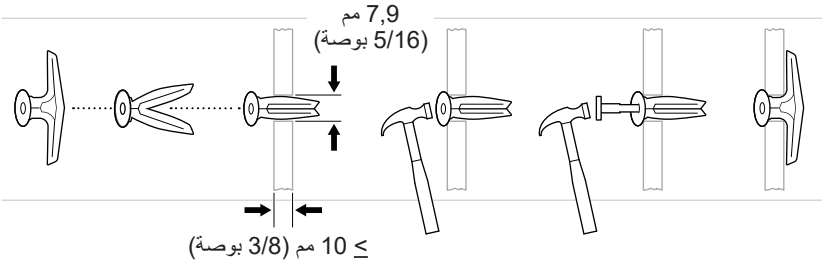


لوّح جداري
7,9 مم (بوصة 16/5)

دعامة خشبية/دعامة معدنية
4,8 مم (بوصة 16/3)

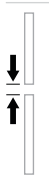


لوّح جداري



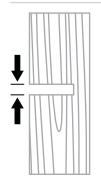
دعامة معدنية

4,8 مم
(بوصة 3/16)

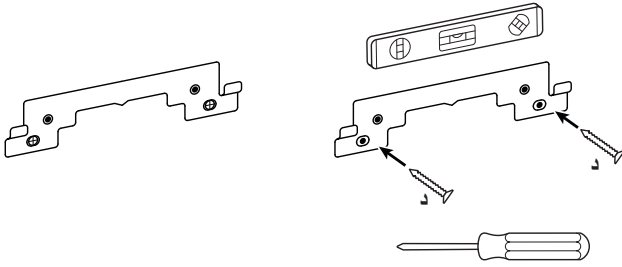


دعامة خشبية

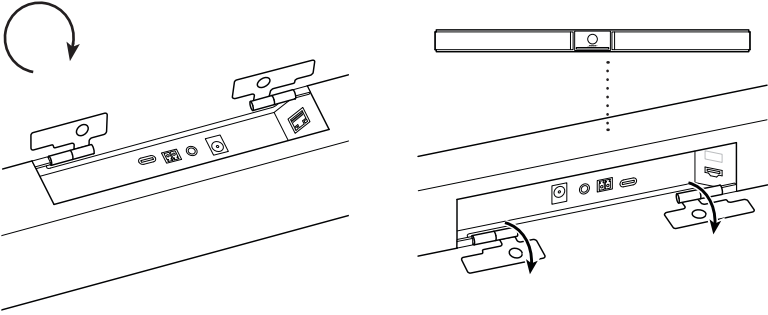
4,8 مم
(بوصة 3/16)



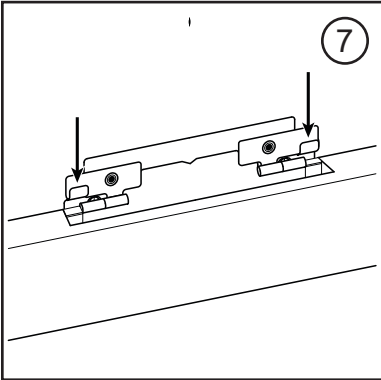
5

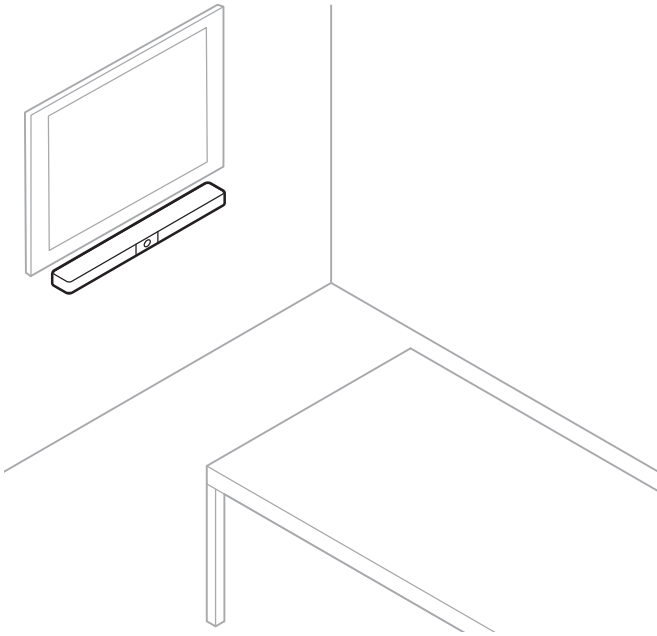
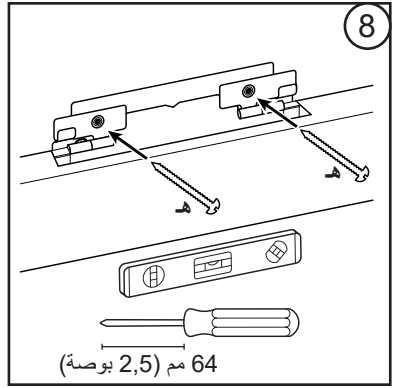
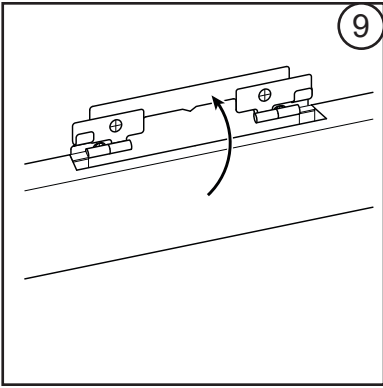


6

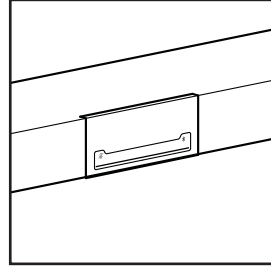
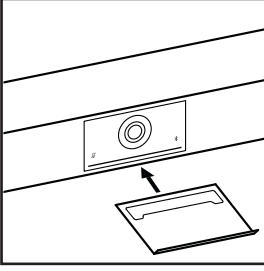


7





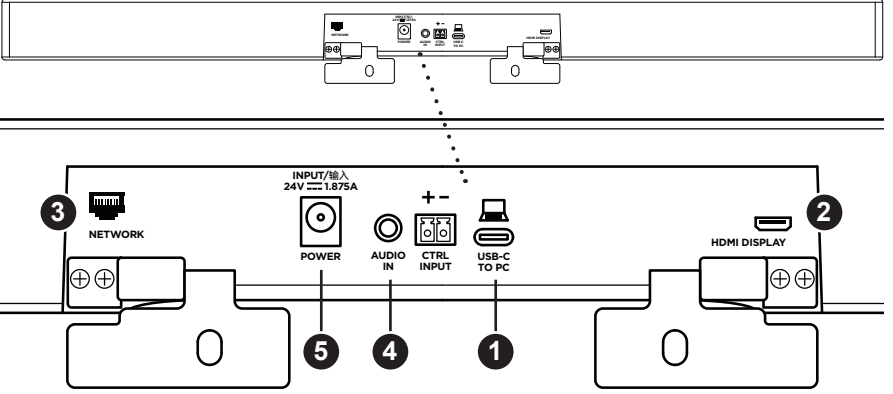
غطاء الخصوصية للكاميرا



يُتيح لك غطاء الخصوصية للكاميرا المضمّن تغطية مجال رؤية الكاميرا بالكامل من دون إخفاء المؤشرات وشريط الإضاءة.

الغطاء مغناطيسي وسيبقى في مكانه عند تركيبه على عدسة كاميرا VB1 كما هو موضح. للتخزين في حال عدم الاستخدام، تُثبت الغطاء بالسطح السفلي أسفل العدسة.

توصيلات الكبل



1. قم بتوصيل كبل USB-C® المضمّن بمنفذ USB-C.

اترك الطرف الآخر من هذا الكبل على الطاولة، بحيث يتمكن مضيف الاجتماع من توصيل الكمبيوتر الخاص به أو فصله بسهولة في كل اجتماع.

ملاحظة: إذا كان الكمبيوتر الذي يستضيف اجتماعًا يحتوي على منافذ USB-A فقط، فقم بتوصيل محول من USB-A إلى USB-C المضمّن بطرف الكمبيوتر الخاص بكيل USB-C.

2. اختياري: استخدم كبل HDMI المضمّن لتوصيل منفذ HDMI Display بمنفذ HDMI على شاشة فيديو أو شاشة عرض.

ملاحظة: يجب أن يكون أحدث برنامج تشغيل DisplayLink® مثبتًا على الكمبيوتر المضيف، ويجب أن يكون إعداد DisplayLink ممكّنًا على جهاز VB1 (معطلًا بشكل افتراضي) لكي يعمل خرج HDMI. فضل زيارة displaylink.com/downloads لتنزيل أحدث برنامج تشغيل. قم بتكوين إعداد DisplayLink أو تعطيله باستخدام تطبيق VideoBar أو WebUI أو واجهة WebUI أو تطبيق VideoBar Administration (راجع تطبيقات البرنامج (الصفحة 23)).

3. اختياري: إذا كنت ستستخدم جهاز VB1 في إحدى الشبكات، فاستخدم كبل المجموعة 5 (غير مضمّن) لتوصيل منفذ Network بمنفذ على منفذ LAN، ومحول الشبكة، وما إلى ذلك.

4. اختياري: للحصول على صوت إضافي من خرج الصوت التناظري على شاشة العرض، قم بتوصيل كبل استريو مقاس 3,5 مم (8/1 بوصة) (غير مضمّن) بمقبس Audio In

تتكون من الخرج من:

1. الرأس = منفذ دخل الصوت الأيسر
2. الحلقة = منفذ دخل الصوت الأيمن
3. الجلبة/الحلقة 2 = الطرف الأرضي

5. قم بتوصيل وحدة التغذية الكهربائية المضمّنة بدخل Power.

6. استخدم الكبل الكهربائي المضمّن لتوصيل وحدة التغذية الكهربائية بأخذ طاقة. سيتم تشغيل جهاز VB1 تلقائيًا عند توصيله بمصدر طاقة.

ثمة العديد من تطبيقات البرامج التي تمكّنك من تكوين نظام VideoBar VB1 للحصول على الأداء الأمثل. راجع تطبيقات البرنامج (الصفحة 23) للحصول على مزيد من المعلومات.

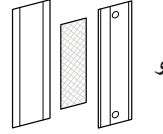
إذا كنت بحاجة إلى استخدام موسع USB، ففضل زيارة boseprofessional.com/VB1 للحصول على قائمة بموسعات USB الموصى بها من جهات خارجية للاستخدام مع VB1.

إدارة الكبل

يمكن أن يتثبت غطاء إدارة الكبل المضمّن كل الكبلات الدائمة في مكانها على الحائط.

ز مثبت صغير للحائط الجاف (2)

ح برغي صغير برأس مسطح (2)



لتركيب غطاء إدارة الكبل، قم بما يلي:

1. ضع الجزء الخلفي من غطاء الكبل (و) (القطعة التي تحتوي على فتحات البراغي) وتثبته في المكان المطلوب على الحائط.
2. حدد منتصف فتحتي البرغي على الحائط، ثم قم بإزالة الجزء الخلفي من غطاء الكبل.
3. إذا كان ذلك الجزء من الجدار يحتوي على مسمار خلفه، فقم بحفر ثقبين بحجم 2,4 مم (32/3 بوصة) في الحائط. إذا كان لا يوجد مسمار خلف ذلك الجزء من الحائط، فقم بحفر ثقبين بحجم 5 مم (16/3 بوصة) في الحائط.
4. إذا كان لا يوجد مسمار خلف ذلك الجزء من الحائط، فقم بتثبيت المثبتين الصغيرين للحائط الجاف (ز) على الحائط.
5. قم بمحاذاة الجزء الخلفي من غطاء الكبل (و) مع فتحات البراغي.
6. قم بتثبيت البرغيين الصغيرين مسطحي الرأس (ح) على الجزء الخلفي من غطاء الكبل لتثبيته على الحائط.
7. اجمع الكبلات وضعها على طول "دليل" الجزء الخلفي من غطاء الكبل (على الحائط).
8. قم بإزالة الشريط اللاصق من إسفنج غطاء الكبل (و).
9. ضع الشريط الإسفنجي بإحكام على الجانب الخلفي من غطاء الكبل، بجانب الكبلات المجمعة.
10. ضع الجزء الأمامي من غطاء الكبل (و) فوق شريط الإسفنج والكبلات المجمعة حتى يلتصق بها.

ي  مثبت صغير للحائط الجاف

ك  برغي صغير برأس مسطح



لتثبيت سلك التغذية الكهربائية على الحائط، قم بما يلي:

1. حدد مكان تثبيت سلك التغذية الكهربائية على الحائط.
2. ضع علامة على فتحة البرغي على الحائط.
3. إذا كان يوجد مسمار خلف ذلك الجزء من الجدار، فقم بحفر ثقب بحجم 2,4 مم (32/3 بوصة) في الحائط.
4. إذا كان لا يوجد مسمار خلف ذلك الجزء من الحائط، فقم بحفر ثقب بحجم 5 مم (16/3 بوصة) في الحائط.
4. إذا كان لا يوجد مسمار خلف ذلك الجزء من الحائط، فقم بتثبيت المثبت الصغير للحائط الجاف (ي) على الحائط.
5. قم بمحاذاة الحلقة الصغيرة من رابط الكبل (ط) مع فتحة البرغي.
6. قم بتثبيت البرغي الصغير مسطح الرأس (ح) بالحلقة الصغيرة من رابط الكبل لتثبيته على الحائط.

تطبيقات البرنامج

تمكّنك ثلاثة تطبيقات في البرنامج من تكوين جهاز Videobar VB1:

استخدم برنامج Videobar Configuration — المتوفر لنظام التشغيل Windows ونظام التشغيل macOS أو عبر متصفح الويب — لإعداد الجهاز وتكوينه.

الميزات:

التحكم في الكاميرا: التدوير والإمالة والتكبير/التصغير وعمليات الضبط المسبق والتقريب والتفائلي

الإدارة والتكوين المحمي بكلمة مرور

قم بتنصيب تحديثات البرنامج الثابت وإنشاء أنماط تكوين وتطبيقها، وتمكين خرج HDMI أو تعطيله (DisplayLink)، وضبط الشبكة، وBluetooth، وإعدادات الكاميرا المتقدمة، وغير ذلك

يخطررك إذا كان هناك تحديث برنامج جهاز Videobar متوفر

متوفر لنظامي التشغيل Windows و macOS أو عبر متصفح الويب، الذي يوفر كل وظائف برنامج سطح المكتب عبر اتصال الشبكة

استخدم برنامج Videobar Administration للإدارة عن بُعد، لإجراء تغييرات على جهاز واحد أو على مستوى المؤسسة وعلى أجهزة متعددة، ولعرض حالة الجهاز في الوقت الفعلي.

الميزات:

مراجعة حالة الجهاز والتحكم في الوظائف المهمة لكل أجهزة Bose Professional Videobar من موقع واحد

جدولة تحديثات البرنامج الثابت لكل الأجهزة أو الأجهزة المحددة فقط

عرض المعلومات وتحريرها وحفظها حسب الجهاز أو مجموعة الأجهزة

اكتشاف كل الأجهزة على الشبكة؛ إنشاء ملفات تعريف الجهاز وحفظها وتطبيقها

متوفر لنظام التشغيل Windows

يسمح تطبيق Videobar Mobile للهاتف المحمول لأي شخص في الغرفة بالتحكم في جهاز Videobar VB1 بواسطة الهاتف الذكي - وضبط مستوى الصوت وكنم الصوت والتدوير والإمالة والتكبير/التصغير وعمليات الضبط المسبق للتكبير/التصغير وإقران الجهاز المزود بخاصية Bluetooth.

الميزات:

التحكم في الوقت الفعلي في مستوى الصوت وكنم الصوت والتدوير والإمالة والتكبير/التصغير وعمليات الضبط المسبق للتكبير/التصغير وإقران الجهاز المزود بخاصية Bluetooth من جهازك المحمول

تستخدم ميزة إقران الجهاز المزود بخاصية Bluetooth لاكتشاف جهاز Videobar VB1 والاتصال به

متوفر لنظامي التشغيل iOS و Android

تطبيق Videobar Configuration واجهة WebUI

لتنزيل تطبيق Videobar Configuration وتثبيته على الكمبيوتر، قم بما يلي:

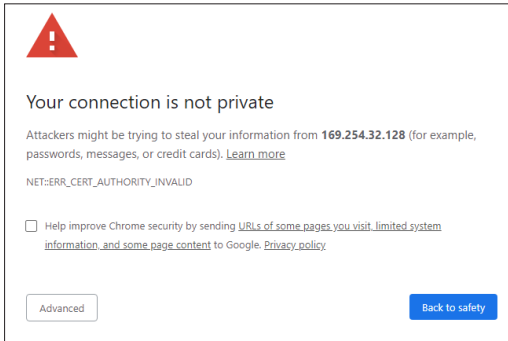
1. على الكمبيوتر، تفضل زيارة boseprofessional.com/VB1.
2. قم بتنزيل تطبيق برنامج Videobar Configuration وتثبيته.

للوصول إلى تطبيق Videobar Configuration واستخدامه لتكوين جهاز VB1:

1. قم بتوصيل الكمبيوتر بمنفذ **USB-C** على جهاز VB1.
 2. افتح تطبيق **Videobar Configuration**.
 3. للوصول إلى إعدادات تكوين المدير لتكوين جهاز VB1، انقر فوق أيقونة **Administrator** (المدير) في لوحة التنقل وأدخل كلمة المرور الافتراضية للمصنع: **Bose123**
- ملاحظة:** نوصي بتغيير كلمة المرور بعد التمكن من الوصول.

للوصول إلى واجهة WebUI لتطبيق Videobar Configuration المستندة إلى المتصفح واستخدامها لتكوين جهاز VB1 عبر الاتصال بالشبكة، قم بما يلي:

1. توصيل الكمبيوتر وجهاز VB1 بالشبكة نفسها.
 2. إدخال عنوان IP لجهاز VB1 في شريط عناوين متصفح الويب لديك على الكمبيوتر، والضغط على **Enter** (إدخال). (يمكنك تحديد عنوان IP الخاص بجهاز VB1 باستخدام تطبيق Videobar Configuration عبر منفذ USB أو باستخدام تطبيق Videobar Administration الذي يكتشف أجهزة VB1 على الشبكة تلقائيًا). سيتم فتح واجهة WebUI لتطبيق Videobar Configuration.
- ملاحظة:** في بعض المتصفحات، قد ترى تحذيرًا أمنيًا مثل هذا:



هذا أمر طبيعي ولا يشكل خطرًا أمنيًا. انقر فوق **Advanced** (خيارات متقدمة). (إذا لم تكن متأكدًا من إجراء عملية ما على الكمبيوتر وفي متصفح الويب وما إلى ذلك، فراجع مع مسؤول تكنولوجيا المعلومات/النظام أولاً).

يمكنك عندئذٍ تلقي رسالة المتابعة:

This server could not prove that it is **169.254.32.128**; its security certificate is not trusted by your computer's operating system. This may be caused by a misconfiguration or an attacker intercepting your connection.

[Proceed to 169.254.32.128 \(unsafe\)](#)

هذا أمر طبيعي أيضًا. انقر فوق رابط **Proceed to...** (المتابعة إلى...) للمتابعة إلى صفحة تسجيل الدخول إلى واجهة WebUI الخاصة بتطبيق Videobar Configuration.

كلمة مرور المسؤول الافتراضية من المصنع هي: **Bose123!**

ملاحظة: نوصي بتغيير كلمة المرور بعد التمكن من الوصول.

للوصول إلى ملف التعليمات الخاص بتطبيق Videobar Configuration أو واجهة WebUI، راجع صفحة **Settings** (الإعدادات) في التطبيق أو واجهة WebUI.

تطبيق Videobar Administration

لتنزيل برنامج Videobar Administration:

1. على الكمبيوتر، نفضل زيارة [.boseprofessional.com/VB1](http://boseprofessional.com/VB1).
2. قم بتنزيل تطبيق **Videobar Administration** وتثبيته.

للوصول إلى تطبيق Videobar Administration واستخدامه لتهيئة جهاز VB1 واحد أو أكثر عبر الاتصال بالشبكة:

1. قم بتوصيل الكمبيوتر وكل جهاز VB1 بالشبكة نفسها.
2. افتح تطبيق **Videobar Administration**.

للوصول إلى ملف التعليمات الخاص بتطبيق Videobar Administration، راجع صفحة **About Videobar Administration** في التطبيق.

تطبيق Videobar Mobile

يوفر تطبيق Videobar Mobile وظائف جهاز الريموت كنترول بالأشعة تحت الحمراء بصورة مريحة على جهازك المحمول. لتنزيل تطبيق Videobar Mobile:

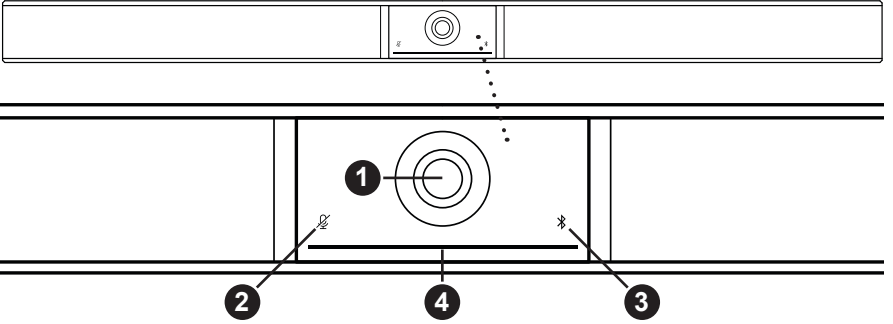
1. ابحث عن تطبيق **Videobar Mobile** وقم بتنزيله من [App StoreSM](https://play.google.com/store/apps/details?id=com.bose.videobar_mobile) أو [Google PlayTM](https://play.google.com/store/apps/details?id=com.bose.videobar_mobile).
2. افتح التطبيق على جهازك المحمول وقم بتمكين تعقب الموقع.
3. من جهازك المحمول، قم بالاتصال بجهاز **Videobar VB1**.

للوصول إلى ملف التعليمات الخاص بتطبيق Videobar Mobile، راجع صفحة **Settings** (الإعدادات) في التطبيق.

تفاصيل المنتج

اللوحات

اللوحة الأمامية



1. الكاميرا

2. مؤشر Mute (كتم الصوت): يضيء هذا الضوء باللون الأحمر عند إيقاف تشغيل الميكروفونات.

3. مؤشر Bluetooth: يشير هذا الضوء إلى الحالة الحالية لاتصال جهاز VB1 بخاصية Bluetooth:

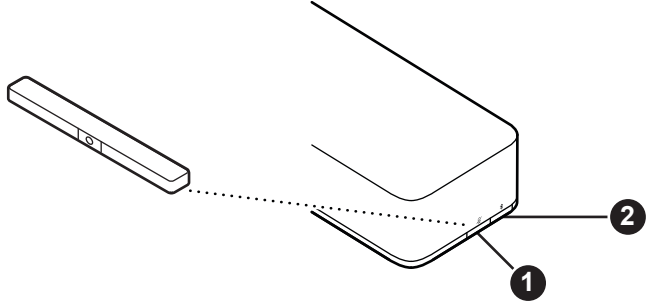
يومض باللون الأزرق ببطء: يتوفر جهاز VB1 للاقتتران بجهاز محمول مزود بخاصية Bluetooth.

أبيض ثابت: يتم توصيل جهاز VB1 بتطبيق Videobar Mobile أو بجهاز محمول للمكالمات والوسائط.

إيقاف التشغيل: لا يوجد اتصال بخاصية Bluetooth.

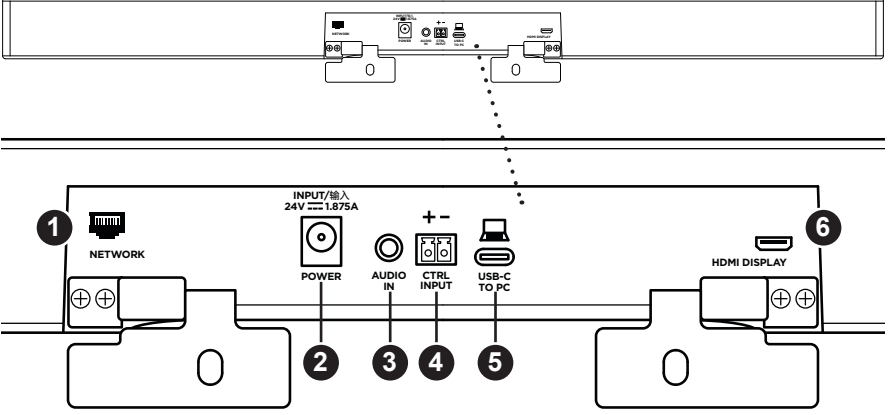
4. شريط الضوء: راجع شريط الضوء (الصفحة 31) لمعرفة المزيد حول هذا.

اللوحة الجانبية



1. زر **Mute** (كتم الصوت): اضغط على هذا الزر لكتم صوت ميكروفونات VB1 أو إلغاء كتمه.
2. زر **Bluetooth**: اضغط مع الاستمرار على هذا الزر للدخول في وضع الاقتران.

اللوحة الخلفية



1. **Network:** استخدم وصلة RJ45 هذه بسرعة 1 جيجابت في الثانية للتهيئة و/أو المراقبة. (يوجد هذا المنفذ في الجانب الداخلي من اللوحة الخلفية).
2. **الطاقة:** قم بتوصيل وحدة التغذية الكهربائية المرفقة.
3. **Audio In:** استخدم كبل استريو مقاس 3,5 مم (8/1 بوصة) (غير مرفق) للتوصيل بمصدر صوتي اختياري، مثل المخرج الصوتي من شاشة عرض أو شاشة متصلة.
4. **Ctrl Input:** استخدم المنفذ المخصص لتجاوز كتم الصوت باستخدام موصل Euroblock المرفق المزود بملاصين. افتراضياً، يكون هذا المدخل نشطاً عند مستوى منخفض ويتضمن سحباً داخلياً.
5. **USB-C:** قم بتوصيل هذا المنفذ بالكمبيوتر الذي يستضيف الاجتماع.
6. **HDMI Display:** استخدم كبل HDMI المرفق لتوصيل هذا المنفذ بالشاشة. (يوجد هذا المنفذ في الجانب الداخلي من اللوحة الخلفية).

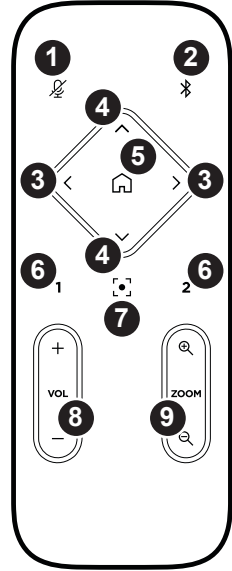
ملاحظة: يجب أن يكون أحدث برنامج تشغيل DisplayLink® مثبتاً على الكمبيوتر المضيف، ويجب أن يكون إعداد DisplayLink ممكناً على جهاز VB1 (معطلاً بشكل افتراضي) لكي يعمل خرج HDMI. تفضل زيارة displaylink.com/downloads لتنزيل أحدث برنامج تشغيل. قم بتعيين إعداد DisplayLink أو تعطيله باستخدام تطبيق Videobar Configuration أو واجهة WebUI أو تطبيق Videobar Administration (راجع تطبيقات البرنامج (الصفحة 23)).

الريموت كنترول

يتضمن Videobar VB1 جهاز ريموت كنترول بالأشعة تحت الحمراء يمكنك من ضبط إعدادات الكاميرا ومستوى الصوت وكنتم صوت الميكروفونات ووضع جهاز VB1 في وضع الاقتران بخاصية **Bluetooth**.

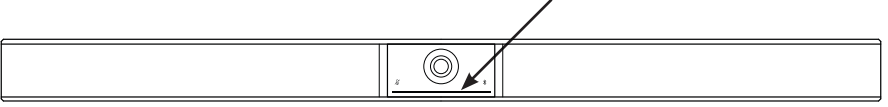
ملاحظة: تتوفر أيضًا كل وظائف الريموت كنترول في تطبيقات البرامج التي يمكنك من تهيئة Videobar VB1. راجع تطبيقات البرنامج (الصفحة 23) للحصول على مزيد من المعلومات.

1. **Mute (كنتم الصوت):** كنتم الصوت/إلغاء كنتم صوت ميكروفونات VB1.
2. **Bluetooth:** اضغط مع الاستمرار لمدة 3 ثوانٍ للدخول في وضع الاقتران. إذا كنت مقترنًا بجهاز بالفعل، فاضغط مع الاستمرار لقطع الاتصال.
3. **Camera Pan (تحريك الكاميرا):** اضغط لتحريك الكاميرا إلى اليسار واليمين (> أو <) أو اضغط مع الاستمرار للضبط المتواصل.
4. **Camera Tilt (إمالة الكاميرا):** اضغط لإمالة الكاميرا إلى أعلى وأسفل (V أو A) أو اضغط مع الاستمرار للضبط المتواصل.
5. **Home Preset (الضبط المسبق على الوضع الرئيسي):** إرجاع إعدادات التحريك والإمالة والتكبير/التصغير (PTZ) الخاصة بالكاميرا إلى الوضع Home (الرئيسي). يمكن تغيير الوضع Home (الرئيسي) في تطبيق Videobar Configuration.
6. **Presets 1 & 2 (زرا الضبط المسبق 1 و 2):** اضغط لاختيار زر Preset (الضبط المسبق) 1 أو 2 للكاميرا. اضغط مع الاستمرار لحفظ إعدادات الكاميرا الخاصة بالتحريك والإمالة والتكبير/التصغير (PTZ) الحالية كضبط مسبق 1 أو 2.
7. **Autoframe (ضبط الإطار تلقائيًا):** تشغيل/إيقاف تشغيل ضبط الإطار تلقائيًا. عند التشغيل، سيتم ضبط إعدادات الكاميرا الخاصة بالتحريك والإمالة والتكبير/التصغير (PTZ) تلقائيًا لتضمين جميع المشاركين في مجال الرؤية في كل الأوقات.
8. **Volume (مستوى الصوت):** رفع مستوى الصوت أو خفضه (+ أو -).
9. **Camera Zoom (تكبير/تصغير الكاميرا):** زيادة نسبة تكبير/تصغير الكاميرا أو تقليلها (+ أو -).



شريط الضوء

يوجد شريط الضوء أسفل كاميرا جهاز VB1.



المظهر	النشاط	حالة الجهاز
	يوجد جزء صغير من الأضواء في منتصف شريط الضوء مضاء باللون الأبيض الثابت.	قيد التشغيل و"نشط".
	كل الأضواء مضاءة باللون الأبيض الثابت.	الاجتماع نشط. الكاميرا في وضع إيقاف التشغيل.
	الضوء الأوسط مضاء بلون أخضر ثابت، بينما تكون الأضواء المحيطة مضاءة باللون الأبيض الثابت.	الاجتماع نشط. الكاميرا في وضع التشغيل مع إيقاف تشغيل ضبط الإطار تلقائيًا.
	قطاع صغير من الأضواء في منتصف شريط الضوء مضاء باللون الأخضر الثابت، بينما تكون الأضواء المحيطة مضاءة باللون الأبيض الثابت.	الاجتماع نشط. الكاميرا في وضع التشغيل مع تشغيل ضبط الإطار تلقائيًا.
	قطاع صغير من الأضواء في منتصف شريط الضوء مضاء باللون الأخضر الثابت، بينما تكون الأضواء المحيطة غير مضاءة.	الكاميرا في وضع التشغيل. لا يوجد اجتماع نشط.
	يومض الضوء في أقصى اليسار في شريط الضوء مرة واحدة (باللون الأبيض/مضاء في حال عدم وجود مكالمة نشطة؛ غير مضاء في حال وجود مكالمة نشطة).	تم خفض مستوى الصوت بمقدار درجة واحدة.

المظهر	التشاط	حالة الجهاز
	يومض الضوء في أقصى اليمين في شريط الضوء مرة واحدة (باللون الأبيض/مضاء في حال عدم وجود مكالمة نشطة؛ وغير مضاء في حال وجود مكالمة نشطة).	تم رفع مستوى الصوت بمقدار درجة واحدة.
	يومض شريط صغير من الأضواء في أقصى يسار شريط الضوء مرة واحدة (باللون الأبيض/مضاء في حال عدم وجود مكالمة نشطة؛ وغير مضاء في حال وجود مكالمة نشطة).	تم ضبط مستوى الصوت على أدنى مستوى له.
	يومض شريط صغير من الأضواء في أقصى يمين شريط الضوء مرة واحدة (باللون الأبيض/مضاء في حال عدم وجود مكالمة نشطة؛ وغير مضاء في حال وجود مكالمة نشطة).	تم ضبط مستوى الصوت على أعلى مستوى له.
	يومض جزء صغير من الأضواء منتصف شريط الضوء بلون أبيض بسرعة.	يبحث جهاز VB1 عن شبكة Wi-Fi.
	يومض قطاع صغير من الأضواء في منتصف شريط الضوء باللون الأبيض مرة واحدة ثم يخفت.	تم توصيل جهاز VB1 بشبكة Wi-Fi وهذا يعني أيضًا أن جهاز VB1 قد اكتشف مصدرًا صوتيًا جديدًا متصلًا بمنفذ USB المضيف أو Audio In.
	يوجد جزء صغير من الأضواء في منتصف شريط الضوء مضاء باللون الأحمر الثابت.	لا يعمل جهاز VB1 بصورة صحيحة بسبب مشكلة في البرنامج الثابت/البرنامج. يرجى الاتصال بالدعم الفني لنظام Bose Professional.

المظهر	التشاط	حالة الجهاز
	يوميض جزء صغير من الأضواء في منتصف شريط الضوء بلون كهربائي.	لا يعمل جهاز VB1 بصورة صحيحة بسبب مشكلة في الاتصال. تأكد من اتصال جهاز VB1 بالشبكة.
	تتحرك الأضواء البيضاء بصورة متكررة بين النهايتين اليمنى واليسرى.	يقوم جهاز VB1 بتنزيل تحديث للبرنامج الثابت وتثبيته. لا تفصل جهاز VB1 عن الشبكة أو مأخذ الطاقة الخاص به. عند اكتمال التحديث، سيتوقف شريط الضوء عن الحركة وسيقوم جهاز VB1 بتشغيل نغمة صوتية.
	يوميض جزء صغير من الأضواء في منتصف شريط الضوء بلون أبيض بصورة متكررة. ثم تتحرك الأضواء باتجاه الخارج من المنتصف حتى يضيء شريط الضوء بالكامل بلون أبيض ثابت. تنطفئ الأضواء بالطريقة نفسها.	تتم إعادة تشغيل جهاز VB1 بعد استعادة إعدادات المصنع الافتراضية.
	يوميض جزء صغير من الأضواء في منتصف شريط الضوء بلون أبيض بصورة متكررة.	تتم إعادة تشغيل جهاز VB1 بعد انقطاع التيار الكهربائي.
	يوميض جزء صغير من الأضواء في منتصف شريط الضوء بلون أرجواني بصورة متكررة.	يرسل تطبيق Videobar Administration رسالة "تعرف على الجهاز" إلى جهاز VB1.

التشغيل

بدء الاجتماع

ملاحظة: يجب أن يكون أحدث برنامج تشغيل DisplayLink® مثبتًا على الكمبيوتر المضيف، ويجب أن يكون إعداد DisplayLink ممكنًا على جهاز VB1 (معطلاً بشكل افتراضي) لكي يعمل خرج HDMI. تفضل زيارة displaylink.com/downloads لتنزيل أحدث برنامج تشغيل. قم بتمكين إعداد DisplayLink أو تعطيله باستخدام تطبيق Videobar Configuration أو واجهة WebUI أو تطبيق Videobar Administration (راجع تطبيقات البرنامج (الصفحة 23)).

لبدء الاجتماع باستخدام جهاز VB1:

1. قم بتوصيل كبل USB المرفق بين جهاز VB1 والكمبيوتر. استخدم محول USB-C إلى USB-A المرفق، إذا لزم الأمر.
2. ابدأ الاجتماع باستخدام برنامج الاجتماع المفضل لديك.
3. في إعدادات الجهاز المتعلقة ببرنامج الاجتماع، اختر **Videobar VB1** كجهاز للميكروفون والسماعات والكاميرا.

لإجراء مكالمة باستخدام جهاز VB1 بوظيفة مكبر صوت:

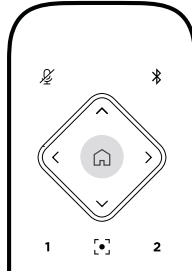
1. اضغط على زر **Bluetooth** على جانب جهاز VB1 (أو اضغط مع الاستمرار على زر **Bluetooth** في الريموت كنترول لمدة 3 ثوانٍ) لوضع جهاز VB1 في وضع الاقتران.
2. على جهازك المحمول، ابحث عن الأجهزة المزودة بخاصية **Bluetooth** المتوفرة واختر VB1.
3. قم بإجراء مكالمة من جهازك المحمول. سيتم توجيه الصوت تلقائيًا من جهازك المحمول إلى السماعات والميكروفونات في جهاز VB1.

ضبط الكاميرا

ملاحظة: تتوفر أيضًا كل وظائف الريموت كنترول في تطبيقات البرامج التي تمكّنك من تهيئة Videobar VB1. راجع تطبيقات البرنامج (الصفحة 23) للحصول على مزيد من المعلومات.

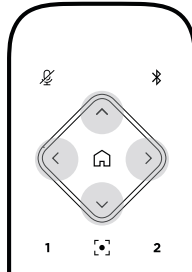
نصيحة: لإجراء تعديلات سريعة وبسيطة على إعدادات الكاميرا، نوصي باستخدام تطبيق Videobar Mobile على جهازك المحمول. راجع تطبيق Videobar Mobile (الصفحة 26).

إعادة ضبط الكاميرا



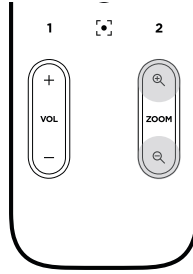
لإعادة الكاميرا إلى إعدادات التحريك والإمالة والتكبير/التصغير الافتراضية، اضغط على زر **Home** (الرئيسي) في الريموت كنترول.

ضبط زوايا التحريك والإمالة



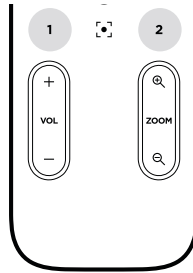
ملاحظة: لا يمكنك ضبط زوايا التحريك والإمالة إلا إذا لم يتم التصغير بالكامل في الكاميرا. لضبط زاوية تحريك الكاميرا (إلى اليسار-اليمين)، اضغط على أحد زري تحريك الكاميرا (↩ أو ↪) في الريموت كنترول. لضبط زاوية إمالة الكاميرا (إلى أعلى-أسفل)، اضغط على أحد زري إمالة الكاميرا (V أو R) في الريموت كنترول. اضغط على أحد الأزرار مرة واحدة لضبط الكاميرا بدرجات قليلة أو اضغط مع الاستمرار عليه للضبط المستمر.

ضبط نسبة التكبير/التصغير



لضبط نسبة تكبير/تصغير الكاميرا، اضغط على أحد زري **التكبير/التصغير** (+ أو -) في الريموت كنترول. اضغط على أحد الأزرار مرة واحدة لضبط الكاميرا بدرجات قليلة أو اضغط مع الاستمرار عليه للضبط المستمر.

حفظ الضبط المسبق واستدعاؤه



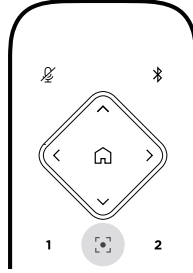
يمكنك حفظ إعدادات التحريك والإمالة والتكبير/التصغير الخاصة بالكاميرا على الضبط المسبق: **Preset 1** (الضبط المسبق 1) أو **Preset 2** (الضبط المسبق 2). عند استدعاء إعداد ضبط مسبق محفوظ، ستعود الكاميرا على الفور إلى إعدادات التحريك والإمالة والتكبير/التصغير المحفوظة.

لحفظ الضبط المسبق:

1. اضبط إعدادات التحريك والإمالة والتكبير/التصغير حسب الحاجة.
2. اضغط مع الاستمرار على زر الضبط المسبق المطلوب في الريموت كنترول **Preset 1** (الضبط المسبق 1) أو **Preset 2** (الضبط المسبق 2) لمدة 3 ثوانٍ. سيتم حفظ إعدادات الكاميرا على هذا الضبط المسبق.

لاستدعاء الضبط المسبق المحفوظ، اضغط على زر الضبط المسبق المطلوب في الريموت كنترول **Preset 1** (الضبط المسبق 1) أو **Preset 2** (الضبط المسبق 2). ستقوم الكاميرا على الفور بتغيير إعدادات التحريك والإمالة والتكبير/التصغير إلى تلك الإعدادات المحفوظة في إعداد الضبط المسبق.

تمكين/تعطيل ضبط الإطار تلقائيًا



لتمكين ميزة ضبط الإطار تلقائيًا للكاميرا أو تعطيلها، اضغط على زر **Autoframe** (ضبط الإطار تلقائيًا) في الريموت كنترول.

عند تمكين هذه الميزة، ستقوم الكاميرا تلقائيًا وبصورة مستمرة بضبط إعدادات الحركة والإمالة والتكبير/التصغير لتضمين جميع المشاركين في الغرفة في مجال الرؤية.

ملاحظة: يؤدي ضبط إعدادات التحريك والإمالة والتكبير/التصغير أو اختيار **Home** (الرئيسي) أو **Preset 1** (الضبط المسبق 1) أو **Preset 2** (الضبط المسبق 2) إلى تعطيل ضبط الإطار تلقائيًا.

عند تعطيل هذه الميزة، اضبط إعدادات التحريك والإمالة والتكبير/التصغير (PTZ) الخاصة بالكاميرا يدويًا.

إدارة مستويات الصوت

يحتوي Videobar VB1 على أربعة مداخل صوتية هي: الميكروفونات وصوت USB وصوت مرسل عبر خاصية Bluetooth والمدخل التناظري (مقيس Audio In).

كذلك يحتوي جهاز VB1 على ثلاثة مخارج صوتية هي: السماعات ووصلة USB صوتية وصوت مرسل عبر خاصية Bluetooth.

يمكن رؤية المستويات الفعلية لكل هذه الإشارات باستثناء مقيس Audio In في علامة التبويب Meters في تطبيق Videobar Configuration/واجهة WebUI.

تشغيل الصوت المحلي

يتم تشغيل الموسيقى أو الصوت عبر المداخل التناظرية أو Bluetooth أو USB من خلال سماعات جهاز VB1. ولا يتم إرسال هذا الصوت إلى أبعد نقطة أثناء الاجتماعات.

صوت الاجتماع

يتم إرسال صوت ميكروفون VB1 إلى أبعد نقطة (عبر مخرج USB) بعد ميزة إلغاء الصدى الصوتي (AEC).

إذا تم إرسال تشغيل الصوت المحلي عبر مدخل USB، فسيتم تشغيله عبر سماعات جهاز VB1، لكن ستقوم ميزة إلغاء الصدى الصوتي بإزالة الموسيقى من جهاز التقاط صوت ميكروفون VB1 قبل إرسالها إلى أبعد نقطة.

إذا كنت ترغب في إرسال تشغيل الصوت المحلي إلى أبعد نقطة، فقم بمشاركة تطبيق تشغيل الصوت ضمن برنامج الاجتماع.

ضبط مستويات الصوت

يحتوي جهاز VB1 على عنصري تحكم في مستوى الصوت: لسماعات VB1 ولكسب المدخل التناظري في (Audio In).

لضبط مستوى صوت سماعات VB1، استخدم الزرين **Volume +** (زيادة مستوى الصوت) أو **-** (خفض مستوى الصوت) على الريموت كنترول أو اضبط مستوى صوت الكمبيوتر المضيف أو اضبط مستوى الصوت المرسل عبر خاصية Bluetooth. وتتم مزامنة مستويات الصوت الثلاثة هذه دائماً، لذا فإن ضبط أحدها يؤدي إلى ضبط الآخرين أيضاً.

ملاحظة: تتوفر أيضاً كل وظائف الريموت كنترول في تطبيقات البرامج التي تمكنك من تهيئة Videobar VB1. راجع تطبيقات البرنامج (الصفحة 23) للحصول على مزيد من المعلومات.

إذا لزم الأمر، فاضبط **Analog Input Gain** لاقتطاع الإشارة المرسلة إلى مقيس Audio In بحيث يتطابق مع المستويات العادية من الكمبيوتر المضيف وصوت Bluetooth. يمكنك القيام بذلك في تطبيق Videobar Configuration أو واجهة WebUI أو في تطبيق Videobar Administration (راجع تطبيقات البرنامج (الصفحة 23)).

إدارة الأجهزة المزودة بخاصية Bluetooth

يمكن إقران جهاز VB1 بجهاز واحد مزود بخاصية Bluetooth في كل مرة. على سبيل المثال، لا يمكن إقرانه بجهاز واحد باستخدام تطبيق Videobar Mobile وجهاز آخر للمكالمات أو تشغيل الصوت.

إقران أحد الأجهزة المزودة بخاصية Bluetooth مع جهاز VB1

يقوم تطبيق Videobar Mobile بإقران جهاز مزود بخاصية Bluetooth مع جهاز VB1 باستخدام تقنية Bluetooth منخفضة الطاقة (BLE). وستعرف التطبيق تلقائيًا على أجهزة VB1 القريبة.

لإقران جهاز مزود بخاصية Bluetooth مع جهاز VB1 باستخدام تطبيق Videobar Mobile، افتح التطبيق واختر جهاز VB1 المطلوب. يضيء مؤشر Bluetooth الموجود على اللوحة الأمامية لجهاز VB1 باللون الأبيض الثابت عند الاتصال. (راجع تطبيق Videobar Mobile (الصفحة 26) للحصول على مزيد من المعلومات).

لإقران جهاز مزود بخاصية Bluetooth لإجراء المكالمات أو تشغيل الصوت:

1. اضغط على زر Bluetooth الموجود على جانب جهاز VB1 (أو اضغط مع الاستمرار على زر Bluetooth الموجود على الريموت كنترول لمدة 3 ثوان) لوضع VB1 في وضع الاقتران الخاص به. يومض مؤشر Bluetooth على لوحة VB1 الأمامية باللون الأزرق.
2. على الجهاز المزود بخاصية Bluetooth الخاص بك، ابحث عن الأجهزة الأخرى المتوفرة المزودة بخاصية Bluetooth واختر جهاز VB1. يضيء مؤشر Bluetooth الموجود على اللوحة الأمامية لجهاز VB1 باللون الأبيض الثابت عند الاتصال.

فصل أحد الأجهزة المزودة بخاصية Bluetooth عن VB1

لن يقوم جهاز VB1 بإعادة الاتصال تلقائيًا بجهاز مزود بخاصية Bluetooth مقترن مسبقًا. بمجرد فقدان اتصال Bluetooth (بسبب المسافة أو قطع الاتصال المتعمد أو إقران جهاز آخر، وما إلى ذلك)، ستحتاج إلى اتباع الخطوات للإقران مرة أخرى.

لفصل جهاز مزود بخاصية Bluetooth عن جهاز VB1، قم بأحد الإجراءات التالية:

قم بتعطيل اتصال Bluetooth على جهازك المحمول.

اضغط على زر Bluetooth الموجود على جانب جهاز VB1.

اضغط مع الاستمرار على زر Bluetooth الموجود على الريموت كنترول لمدة 3 ثوان.

أوضاع الطاقة المنخفضة

تتطلب قوائم الطاقة في بعض البلدان دخول منتجات، مثل جهاز VB1، في أحد أوضاع الطاقة المنخفضة عندما لا تكون قيد الاستخدام لتوفير الطاقة. يمكنك تعطيل (أو إعادة تمكين) هذه الميزة في جهاز VB1 باستخدام تطبيق Videobar Configuration أو واجهة WebUI أو تطبيق Videobar Administration (راجع تطبيقات البرنامج (الصفحة 23)).

إن وضع الطاقة المنخفضة في جهاز VB1 هو في الواقع عبارة عن مرحلتين: وضع الاستعداد ووضع الاستعداد المنخفض الطاقة.

إذا تم تمكين وضع الطاقة المنخفضة، فسيدخل جهاز VB1 في وضع الاستعداد بعد 18 دقيقة من عدم النشاط. بعد ساعتين إضافيتين من عدم النشاط، سيدخل الجهاز في وضع الاستعداد المنخفض الطاقة. في كلا الوضعين، سيتم إيقاف تشغيل شريط الإضاءة الموجود في مقدمة جهاز VB1.

في حال تعطيل وضع الطاقة المنخفضة، يتم تعطيل هذين الوضعين أيضًا.

قد تمنع بعض الإجراءات أو الأوامر جهاز VB1 من الدخول إلى وضع الاستعداد، أو "تنشيط" VB1 من وضع الاستعداد (إعادته إلى التشغيل العادي)، أو "تنشيط" VB1 من وضع الاستعداد المنخفض الطاقة (إعادته إلى التشغيل العادي).

الإجراء أو الأمر	منع جهاز VB1 من الدخول إلى وضع الاستعداد.	"تنشيط" جهاز VB1 من وضع الاستعداد.	"تنشيط" جهاز VB1 من وضع الاستعداد المنخفض الطاقة.
الضغط على الزر Mute (كتم الصوت) أو Bluetooth الموجود على جانب جهاز VB1	✓	✓	✓
أي زر على الريموت كنترول	✓	✓	✓
USB توصيل الجهاز بـ USB-C	✓	✓	✓
الاتصال من تطبيق Videobar Configuration أو واجهة WebUI	✓		
تشغيل الصوت	✓	✓	
Bluetooth الاتصال نشط	✓	✓	
تشغيل الصوت	✓	✓	
Wi-Fi أو إيثرنت الاتصال من تطبيق Videobar Configuration أو واجهة WebUI	✓	✓	
الاتصال من تطبيق Videobar Administration	✓	✓	
HDMI Display تم توصيل الكمبيوتر بـ HDMI Display مع DisplayLink تمكين	✓	✓	
Audio In تشغيل الصوت	✓	✓	

الرعاية والصيانة

تنظيف جهاز VB1

قد يتطلب جهاز VB1 تنظيفًا دوريًا.

امسح السطح الخارجي بقطعة قماش ناعمة وجافة.

لا تسمح للرطوبة بالدخول إلى الحاجز الشبكي أو أي كبلات/توصيلات سلكية.

قطع الغيار والملحقات

يمكن طلب قطع الغيار أو الملحقات من خلال مركز خدمة عملاء Bose Professional. boseprofessional.com تفضل بزيارة:

الضمان المحدود

يأتي جهاز Videobar VB1 مع ضمان محدود. تفضل بزيارة موقعنا على boseprofessional.com/warranty للحصول على مزيد من التفاصيل حول الضمان المحدود.

مواقع الرقم التسلسلي

يتوفر الرقم التسلسلي ورقم الطراز على اللوحة الخلفية من المنتج.

يمكنك أيضًا عرض الرقم التسلسلي في تطبيق Videobar Configuration أو واجهة WebUI أو في تطبيق Videobar Administration (راجع تطبيقات البرنامج (الصفحة 23)).

استعادة إعدادات المصنع الافتراضية

تؤدي استعادة إعدادات المصنع الافتراضية إلى القيام بما يلي:

- مسح قائمة الأجهزة المزودة بخاصية **Bluetooth** المقترنة بجهاز VB1.
- مسح الضبط المسبق للكاميرا (1 Preset (الضبط المسبق 1) و Preset 2 (الضبط المسبق 2)).
- إعادة كل إعدادات الكاميرا والميكروفون والسماعة إلى قيمها الافتراضية. (تم تكوين العديد من هذه الإعدادات في برنامج **Videobar Configuration** أو برنامج **Videobar Administration**).
- قم بإعادة تعيين كلمة مرور المسؤول إلى **Bose123!**
- ملاحظة:** نوصي بتغيير كلمة المرور بعد إعادة تعيينها.

لاستعادة جميع إعدادات جهاز VB1 وضبطها إلى افتراضيات المصنع، قم بأحد الإجراءات التالية:

- على الريموت كنترول، اضغط مع الاستمرار على زر **Home** (الرئيسي) وزر **Autoframe** (ضبط الإطار تلقائيًا) في الوقت نفسه لمدة 5 ثوان.
- على جانب VB1، اضغط مع الاستمرار على زر **Mute** (كتم الصوت) وزر **Bluetooth** في الوقت نفسه لمدة 5 ثوان.
- يُصدر شريط صغير من المصابيح في منتصف شريط الضوء نبضات وامضة باللون الأبيض بشكل متكرر. ستتحرك الأضواء بعد ذلك من الوسط إلى الخارج حتى يضيء شريط الإضاءة بالكامل باللون الأبيض الثابت. تنطفئ الأضواء بالطريقة نفسها. عند اكتمال هذه العملية، ستم إعادة تشغيل جهاز VB1 بإعدادات المصنع الافتراضية.

نسيان كلمة المرور

إذا نسيت كلمة المرور التي تستخدمها للوصول إلى إعدادات تكوين المسؤول، يجب استعادة إعدادات المصنع الافتراضية لإعادة تعيين كلمة المرور (راجع استعادة إعدادات المصنع الافتراضية (الصفحة 42)).

ملاحظة: نوصي بتغيير كلمة المرور بعد إعادة تعيينها.

تحديث البرنامج

يمكنك استخدام تطبيق **Videobar Configuration** وتطبيق **Videobar Administration** للتحقق من تحديثات البرنامج الثابت لجهاز VB1 وتثبيتها. راجع تطبيقات البرنامج (الصفحة 23) لمعرفة كيفية تنزيل تطبيقات هذه البرامج والوصول إليها.

إذا كنت تستخدم واجهة **WebUI الخاصة ببرنامج Videobar Configuration** لتكوين جهاز VB1، فقد لا تتمكن من التحقق من البرنامج الثابت أو تحديثه تلقائيًا من خادم عبر الإنترنت ما لم يكن الكمبيوتر متصلاً أيضًا بالإنترنت.

إذا لم تتمكن من الوصول إلى تحديثات البرنامج الثابت أثناء استخدام واجهة **WebUI**، فقم بأحد الإجراءات التالية بدلاً من ذلك:

استخدام تطبيق **Videobar Configuration**.

استخدام تطبيق **Videobar Administration**.

قم بتنزيل ملف البرنامج الثابت مباشرة إلى الكمبيوتر، ثم استخدم واجهة **WebUI الخاصة ببرنامج Videobar Configuration** لتحديث البرنامج الثابت كما لو كان إصدارًا سابقًا.

استكشاف الأخطاء وإصلاحها

جرب هذه الحلول أولاً.

إذا واجهتك مشكلات مع جهاز VB1، فجرب هذه الحلول أولاً:

تأكد من توصيل جهاز VB1 بالطاقة.

تأكد من إحكام توصيل أي كبلات متصلة باللوحة الخلفية. راجع توصيلات الكبل (الصفحة 20).

تحقق من مؤشرات الحالة. راجع اللوحة الأمامية (الصفحة 27).

تأكد من أن الجهاز المحمول الخاص بك يدعم توصيلات Bluetooth.

تحقق من وجود تحديثات متوفرة لبرنامج VB1. راجع تحديث البرنامج (الصفحة 42).

ضع جهازك المزود بخاصية Bluetooth على مسافة أقرب من جهاز VB1 وبعيداً عن أي تداخلات أو عوائق.

اضبط مستوى الصوت على جهاز VB1 أو الكمبيوتر أو جهاز مزود بخاصية Bluetooth أو أي مصادر

صوت أخرى. راجع إدارة مستويات الصوت (الصفحة 38).

إذا لم تستطع حل المشكلة لديك، فراجع الجدول أدناه لتحديد الأعراض والحلول للمشكلات الشائعة. وإذا كنت غير قادر على حل هذا الأمر، فيرجى الاتصال بخدمة عملاء Bose Professional. تفضل بزيارة: boseprofessional.com

المشكلة	الحل
أسمع الموسيقى ولكن الكمبيوتر الشخصي الخاص بي غير متصل.	تحقق من إضاءة مؤشر Bluetooth باللون الأبيض الثابت. إذا كان الأمر كذلك، فقد يكون جهاز مزود بخاصية Bluetooth خاص بشخص ما مقترئاً بالفعل بجهاز VB1. اضغط على زر Bluetooth الموجود على جانب جهاز VB1 لفصله.
الصوت منخفض جداً أو غير مسموع على الإطلاق.	قد يكون مستوى الصوت منخفضاً جداً. ارفع مستوى الصوت باستخدام: الريموت كنترول الخاص بجهاز VB1 جهازك المحمول المزود بخاصية Bluetooth (إذا كنت تستخدم جهازاً) برنامج الاجتماع (مستوى صوت السماع)
الصوت مشوه.	إذا كنت لا تزال لا تسمع أي صوت، فتأكد من اختيار Videobar VB1 على أنه هو السماع في برنامج الاجتماع الخاص بك. قد يكون مستوى الصوت مرتفعاً جداً. اخفض مستوى الصوت باستخدام: الريموت كنترول الخاص بجهاز VB1 جهازك المحمول المزود بخاصية Bluetooth (إذا كنت تستخدم جهازاً) برنامج الاجتماع (مستوى صوت السماع)

المشكلة	الحل
لا يؤثر ضبط مستوى الصوت في جهاز الكمبيوتر على مستوى صوت جهاز VB1.	ربما لم يتم اختيار جهاز VB1 على الكمبيوتر كجهاز تشغيل الصوت الافتراضي (حتى إذا كان برنامج الاجتماع يعمل بشكل صحيح مع جهاز VB1). نظام Windows: انقر فوق أيقونة speaker (السماعة) في أدوات النظام (في شريط المهام) واختر VB1 Videobar كجهاز التشغيل. نظام macOS: انقر فوق أيقونة Apple في الزاوية العلوية اليسرى من الشاشة، واختر System Preferences (تفضيلات النظام)، وانقر فوق Sound (الصوت)، ثم انقر فوق Output (إخراج). اختر VB1 Videobar في قائمة الأجهزة.
تغير مستوى صوت الكمبيوتر أو الجهاز المحمول فجأة عندما قمت بتوصيل الكمبيوتر أو الجهاز المحمول بجهاز VB1.	هذا أمر عادي. يقوم جهاز VB1 تلقائيًا بمزامنة مستوى الصوت لكل الأجهزة عند الاتصال به.
إن VB1 Videobar غير مدرج كميكروفون أو سماعة أو كاميرا في برنامج الاجتماع.	انتظر لمدة 30 ثانية تقريبًا حتى يقوم الكمبيوتر بتسجيل VB1 كجهاز ميكروفون وسماعة وكاميرا. إذا كان هذا الحل لا يزال عديم الجدوى، فجرب الحلول التالية: تأكد من توصيل كبل USB بالكمبيوتر بإحكام. جرب الاتصال بمنفذ USB مختلف على الكمبيوتر. تأكد من أن جهاز VB1 قيد التشغيل (متصل بإحكام بماخذ الطاقة). تأكد من توصيل كبل USB بمنفذ USB-C بشكل محكم على اللوحة الخلفية لجهاز VB1. حاول استخدام كبل USB أقصر.
يعرض برنامج الاجتماع رسالة تفيد بأن الفيديو لا يعمل أو يتعذر بدء تشغيله.	يحدث هذا عادةً عندما يكون تطبيق Videobar Configuration أو عميل اتصالات موحد آخر يستخدم الكاميرا ويتحكم فيها بالفعل. أغلق التطبيق الآخر الذي يستخدم الفيديو.
عندما أحاول الاتصال بجهاز VB1 من خلال واجهة WebUI الخاصة بتطبيق Videobar Configuration، يعرض المتصفح تحذير أمان.	هذا أمر طبيعي لأن VB1 لا يوفر شهادة أمان تستند إلى عنوان IP مخصص ديناميكيًا. راجع تطبيق Videobar Configuration وواجهة WebUI (الصفحة 24) للحصول على إرشادات محددة. (إذا لم تكن متأكدًا من إجراء عملية ما على الكمبيوتر وفي متصفح الويب وما إلى ذلك، فراجع مع مسؤول تكنولوجيا المعلومات/النظام أولاً).

المشكلة	الحل
لا توجد صورة فيديو على الشاشة الثانية (من منفذ HDMI Display).	جرب الحلول التالية: تأكد من أن الشاشة قيد التشغيل. تأكد من تعيين الإدخال/المصدر الخاص بالشاشة إلى منفذ HDMI المتصل بجهاز VB1. تأكد من توصيل كبل HDMI بإحكام بجهاز VB1 وبالشاشة. تأكد من تثبيت أحدث برنامج تشغيل DisplayLink على الكمبيوتر من موقع (displaylink.com/downloads). تأكد من ضبط الكمبيوتر على "extend" (توسيع) إلى شاشة ثانية (بدلاً من "mirror" (انعكاس) أو "duplicate" (تكرار)). تأكد من تمكين إعداد DisplayLink في برنامج Videobar Configuration.
يكتشف الكمبيوتر الخاص بي جهاز العرض VB1 كشاشة ثانية حتى عندما لا يكون متصلاً بمنفذ HDMI Display.	تأكد من ضبط الكمبيوتر على "mirror" (انعكاس) أو "duplicate" (تكرار) الشاشة (بدلاً من "extend" (توسيع) الشاشة إلى شاشة ثانية).
إن صورة الفيديو على الشاشة الثانية (من منفذ HDMI Display) غير متزامنة مع إشارة الصوت.	قم بخفض دقة عرض الفيديو في إعدادات الشاشة على الكمبيوتر.
صورة الفيديو على الشاشة الثانية (من منفذ HDMI Display) مشوهة.	تأكد من استخدام الكبل المزود من Bose Professional أو كبل USB معتمد. تأكد أيضاً من عدم تلف الكبل أو انتنائه.
تقوم الكاميرا بالتكبير أو التصغير حتى عندما لا أقوم بالضبط يدوياً.	قد تكون ميزة ضبط الإطار تلقائياً للكاميرا ممكّنة. اضغط على زر Autoframe (ضبط الإطار تلقائياً) على الريموت كنترول لتعطيلها. تحتوي بعض تطبيقات برنامج الاجتماعات على ميزة مدمجة لضبط الإطار تلقائياً، والتي قد تقوم باقتصاص الصورة أو تغيير نسبة تكبير/تصغير الكاميرا. قم بتعطيل هذه الميزة في برنامج الاجتماع، إن أمكن.

المشكلة	الحل
يومض مؤشر <i>Bluetooth</i> باللون الأزرق.	هذا أمر عادي. يشير هذا إلى أن VB1 في وضع الاقتران عبر <i>Bluetooth</i> (قد يكون زر <i>Bluetooth</i> الموجود على جانب جهاز VB1 أو على جهاز الريموت كنترول قد تم الضغط عليه من دون قصد).
يضيء مؤشر <i>Bluetooth</i> باللون الأبيض الثابت.	هذا أمر عادي. يشير ذلك إلى أن جهاز VB1 متصل بجهاز محمول مزود بخاصية <i>Bluetooth</i> لتشغيل الموسيقى أو إجراء المكالمات أو بتطبيق <i>VideoBar Mobile</i> .
شريط الضوء مضاء.	إذا كان شريط الإضاءة مضاءً بالكامل، فهذا يعني وجود اجتماع نشط. إذا كان جزء صغير فقط من الأضواء مضاءً، فلا يوجد اجتماع نشط. ويتم تشغيل جهاز VB1 ببساطة. راجع شريط الضوء (الصفحة 31) للحصول على مزيد من المعلومات.
يضيء جزء صغير من الأضواء في منتصف شريط الضوء باللون الأخضر الثابت.	هذا أمر عادي. يشير هذا إلى أن كاميرا VB1 قيد التشغيل. (إذا كانت الأضواء الأخرى في شريط الضوء مضاءة باللون الأبيض الثابت، فهذا يعني وجود اجتماع نشط. وإذا كانت الأضواء الأخرى في شريط الضوء مطفأة، فلا يوجد اجتماع نشط).



868554-0020