



ShowMatch™ DeltaQ™ Array Loudspeaker

Ground Stack Bracket Accessory: SMGSB

Safety Information

CAUTION: This product is intended for installation by professional installers only!



- Make no modification to system or accessories. Unauthorized alterations may compromise safety, regulatory compliance, and system performance.
- This accessory is intended for use with Bose ShowMatch DeltaQ Array loudspeakers only.
- Never use ShowMatch Ground Stack Bracket Accessory to suspend modules in overhead array applications.
- Never install the groundstack array on surfaces that are not level or even.
- Use care when adjusting the pitch bracket with full-range modules installed.

PRECAUCIÓN: Solo un instalador profesional deberá montar este producto!



- No realice alteraciones no autorizadas a este producto; esto podría comprometer la seguridad, el cumplimiento de las normas y el rendimiento del sistema.
- Este accesorio está diseñado para usarse únicamente con altavoces Bose ShowMatch DeltaQ Array.
- No utilice nunca los accesorios de apilamiento en suelo ShowMatch para suspender los módulos en aplicaciones de matriz en suspensión.
- No instale nunca el conjunto apilado en suelo sobre superficies que no sean planas o regulares.
- Tenga cuidado al ajustar el soporte de inclinación con módulos de rango completo instalados.

ATTENTION: L'installation de ce produit est réservée à un technicien professionnel!



- Ne pas faire des modifications non autorisées à ce produit; ce pourrait compromettre la sécurité, la conformité réglementaire et la performance du système.
- Cet accessoire est destiné pour l'usage avec les haut-parleurs Bose ShowMatch Delta Q exclusivement.
- Ne jamais utiliser des accessoires d'empilage au sol ShowMatch pour suspendre des modules au-dessus du sol.
- N'installez jamais une pile d'enceintes Array sur des surfaces irrégulières ou en pente.
- Procédez avec prudence lorsque vous l'inclinaison avec des modules large bande installés.

ACHTUNG: Dieses Produkt darf nur von fachkundigen Monteuren installiert werden!



- Keine nicht autorisierten Veränderungen am Produkt vornehmen. Diese können die Sicherheit, die Einhaltung von Richtlinien und die Systemleistung beeinträchtigen.
- Dieses Zubehör ist ausschließlich zur Verwendung mit Bose ShowMatch DeltaQ Array Lautsprechern vorgesehen.
- Verwenden Sie das ShowMatch Ground Stack-Zubehör nie, um Module in Überkopf-Array-Anwendungen aufzuhängen.
- Installieren Sie das Ground Stack-Array nie auf Flächen, die nicht eben oder flach sind.
- Gehen Sie beim Einstellen der Querachsenhalterung vorsichtig vor, wenn alle Breitbandmodule installiert sind.

Additional Information

For additional information on ShowMatch DeltaQ Array loudspeaker modules and accessories, refer to the installation guide available at pro.bose.com. To request a printed copy, use the phone numbers provided.

Contact Information

Bose Corporation
The Mountain
Framingham, MA 01701 USA

Corporate Center: 508-879-7330
Americas Professional Systems,
Technical Support: 800-994-2673

Importer Information

European Union
Bose GP, Castleblayney Road, Carrickmacross, County Monaghan, Ireland

China
Bose Electronics (Shanghai) Company Limited, Part C, Plan 9, No. 353 North Riying Road, China (Shanghai) Pilot Free Trade Zone

Taiwan
Bose Taiwan Branch, 9F-A1, No. 10, Section 3, Minsheng East Road, Taipei City 104, Taiwan
Tel: 886 2 2514 7977

Mexico
Bose de México, S. de R.L. de C.V., Paseo de las Palmas 405-204, Lomas de Chapultepec, 11000 México, D.F.
Tel: 001 800 900 2673

Limited Warranty

Your product is covered by a limited warranty, Visit pro.bose.com for warranty details.

The warranty information provided with this product does not apply in Australian and New Zealand. See our website at www.bose.com/au/warranty or www.bose.com/nz/warranty for details of the Australian and New Zealand warranty.



772972-0010

©2016 Bose Corporation. All rights reserved.
The Mountain, Framingham, MA 01701-9168 USA,
www.pro.bose.com
All trademarks are the property of their respective owners
AM772972 Rev. 00



ShowMatch™ DeltaQ™ Array Loudspeaker

Ground Stack Bracket Accessory: SMGSB

Installation Information

Thank you for selecting Bose® ShowMatch DeltaQ array loudspeakers. This document is intended to provide professional installers with basic installation and safety guidelines for using the ground stack bracket accessory with ShowMatch loudspeakers. Please read this document before attempting installation.



Use the ShowMatch Ground Stack Bracket (SMGSB) to build ground stack arrays that contain ShowMatch DeltaQ full-range loudspeaker modules (SM5, SM10, and SM20), subwoofer modules (SMS118), or a combination of both.

The ground stack can include up to 8 full-range modules. When using subwoofer modules, one subwoofer module replaces two full-range modules. For example, the ground stack can include a maximum of 1 subwoofer and 6 full-range modules, or 2 subwoofers and 4 full-range modules, etc.

If the ground stack contains one or more subwoofer modules, the subwoofers must be placed on the bottom of the stack. You can place the bottom subwoofer module directly on the ground, or attach the subwoofer module to a ShowMatch Array Frame (SMAF) and place the frame on the ground. If you use an array frame as the stack base, it is recommended to attach the included leveling feet to the bottom of the frame.

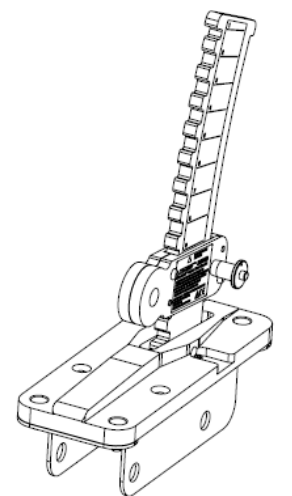
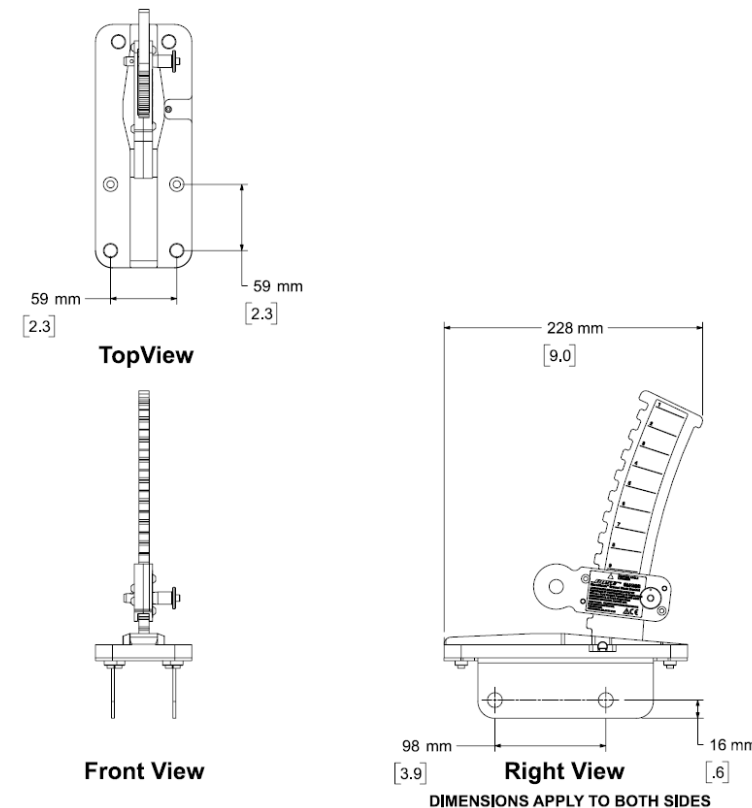
If the ground stack contains one or more subwoofers and one or more full-range modules, you must use the ground stack bracket to attach the full-range modules. You can attach the ground stack bracket directly to the top subwoofer, or attach a ShowMatch Array Frame (SMAF) to the top subwoofer, and then attach the bracket to the frame.

If the ground stack contains full-range modules only, use the ShowMatch Array Frame (SMAF) as the base and attach the ground stack bracket to the frame.



CAUTION: Always evaluate the safety and stability of the array to ensure it is within acceptable limits before building. For support with evaluating array safety, contact your local Bose Sales Engineer.

Product Dimensions



Ground stack bracket



ShowMatch™ DeltaQ™ Array Loudspeaker

Ground Stack Bracket Accessory: SMGSB

Adjust Ground Stack Bracket Angle

Adjust the ground stack bracket before installation of the first full-range module to control the pitch angle of the array. The range of pitch angles depends on the first full-range module in the stack.

To adjust the ground stack bracket angle, follow these instructions:

1. Remove the quick pin from the ground stack bracket.
2. Position the top of the adjustable link directly under the line that corresponds to the desired position. The indicator arrow on the adjustable link points to the position number. See Fig. 1. Refer to the table in Fig. 2 for the corresponding pitch angle for each full-range module.
3. Replace the quick pin to lock the adjustable link in place.

Note: A negative angle measurement indicates that the module is aimed down. A positive angle measurement indicates that the module is aimed up. See Fig. 3.

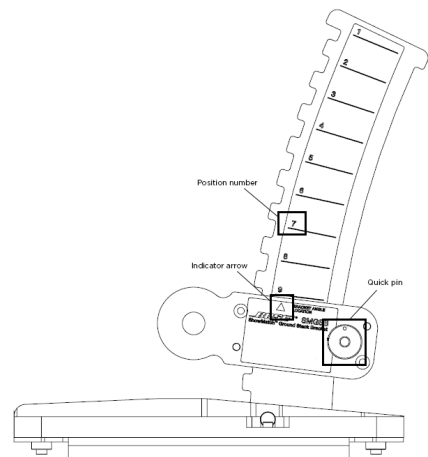


Fig. 1. Position number

| Position | SM5 | SM10 | SM20 |
|----------|--------|--------|--------|
| 1 | -22.5° | -20° | -15° |
| 2 | -20° | -17.5° | -12.5° |
| 3 | -17.5° | -15° | -10° |
| 4 | -15° | -12.5° | -7.5° |
| 5 | -12.5° | -10° | -5° |
| 6 | -10° | -7.5° | -2.5° |
| 7 | -7.5° | -5° | 0° |
| 8 | -5° | -2.5° | 2.5° |
| 9 | -2.5° | 0° | 5° |
| 10 | -0° | 2.5° | 7.5° |

Fig. 2. Pitch angle by position and module

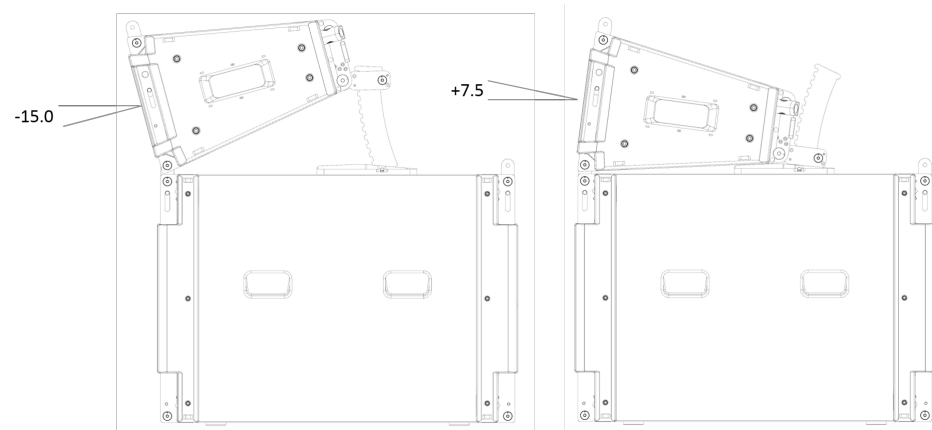


Fig. 3. Negative and positive angle measurements

Attach Ground Stack Bracket to ShowMatch SMS118

To attach the ground stack bracket directly to the ShowMatch SMS118 subwoofer, follow these instructions:

1. Remove the 4 screws that attach the frame bracket to the base of the ground stack bracket. See Fig. 4.
2. Separate the ground stack bracket from the frame bracket. The base of the ground stack bracket should now be flat.
3. Remove the 4 screws connecting the pole mount to the top of the subwoofer. Do not remove the actual pole mount. See Fig. 5.
4. Attach the ground stack bracket to the subwoofer using the screws removed from the pole mount.

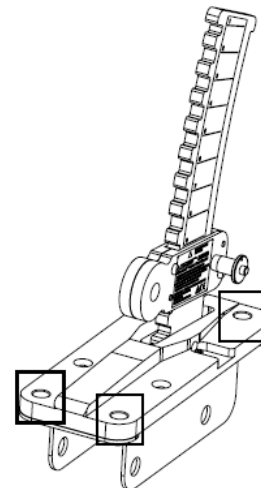


Fig. 4. Remove screws from bracket

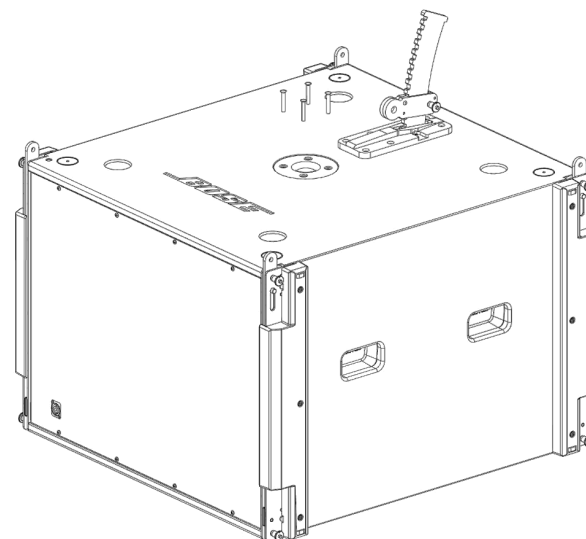


Fig 5. Remove pole mount screws

Attach Ground Stack Bracket to ShowMatch Array Frame

To attach the ground stack bracket to the ShowMatch Array Frame, follow these instructions:

1. Attach the leveling feet to the bottom of the frame. See Fig. 6. Fully tighten each screw to ensure the feet are level.
2. Align the ground stack bracket with the holes along the center rail as indicated. The front ground stack hole should be placed at Location D.
3. Attach the ground stack using the bolts and nuts from the array frame.
4. Use the included safety pins to ensure security of the bolts.
5. Connect the front two rigging locations of the first (bottom) full-range module to the two front rigging locations on the frame. Then connect the back of the module to the ground stack bracket.

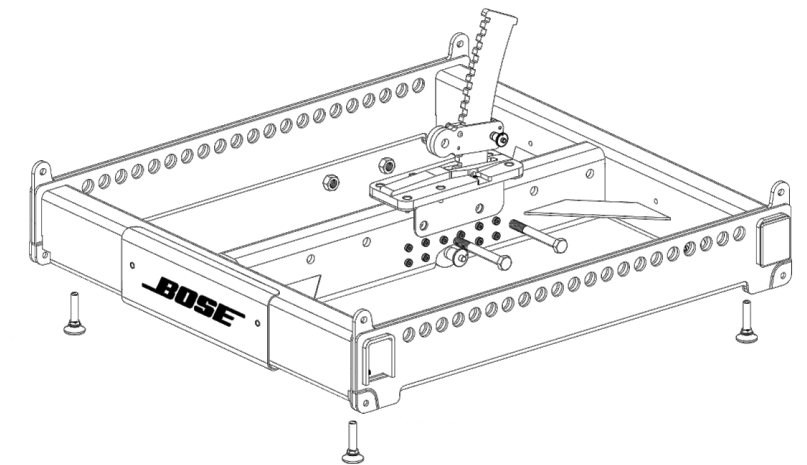


Fig. 6. Ground stack bracket on array frame