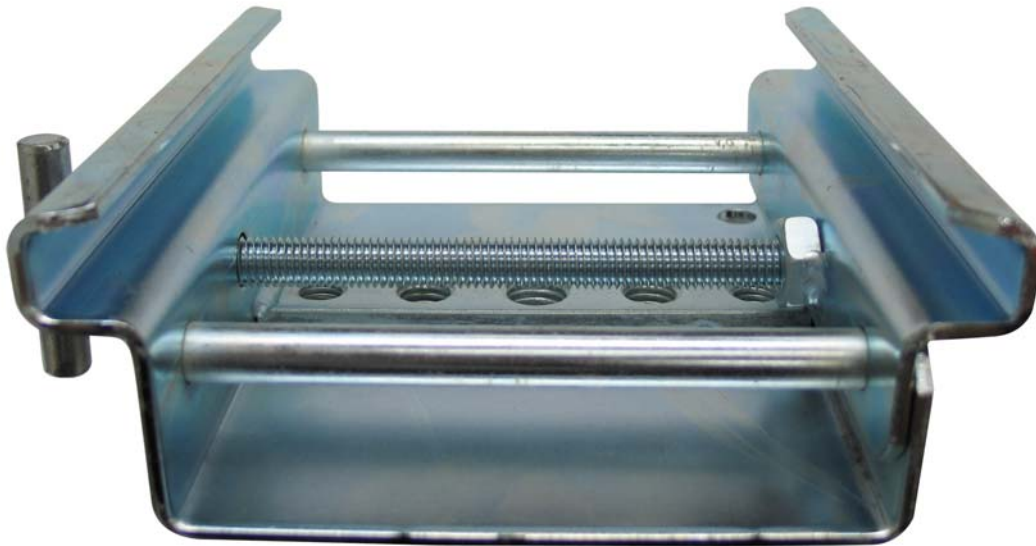




Tent Clamp

ORDERCODE 70370



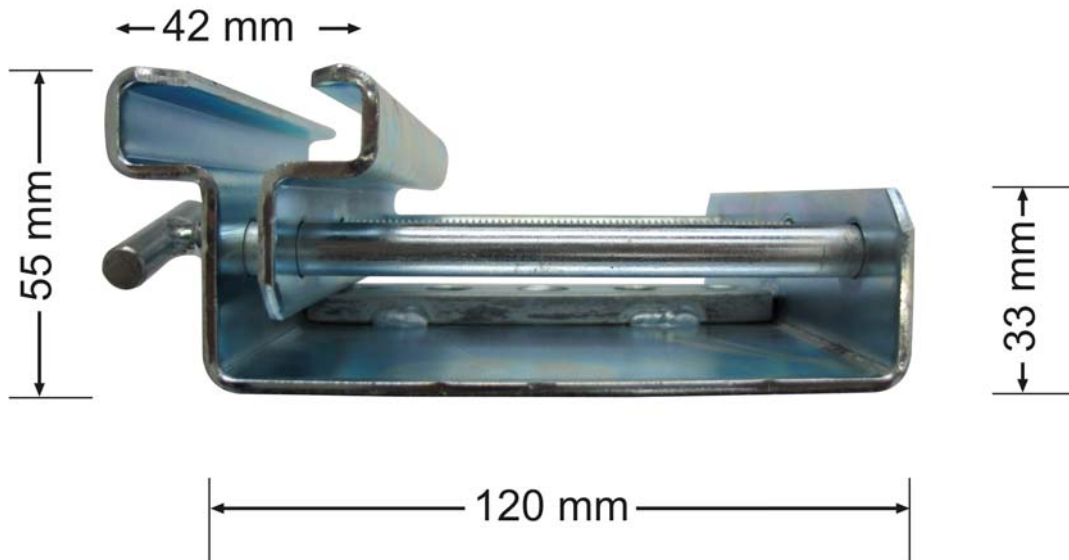
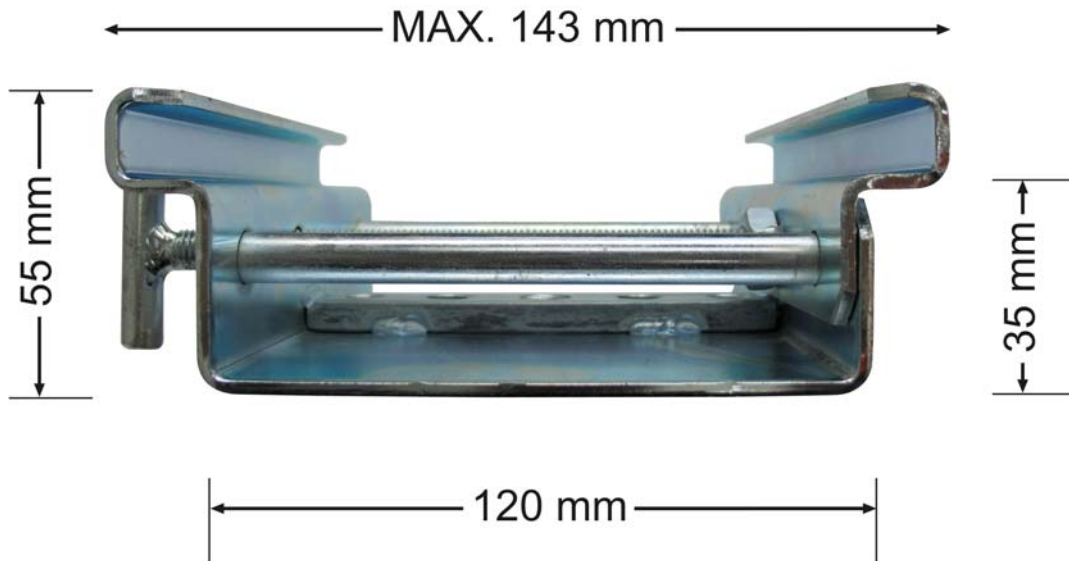
SHOWELECTRONICS FOR PROFESSIONALS

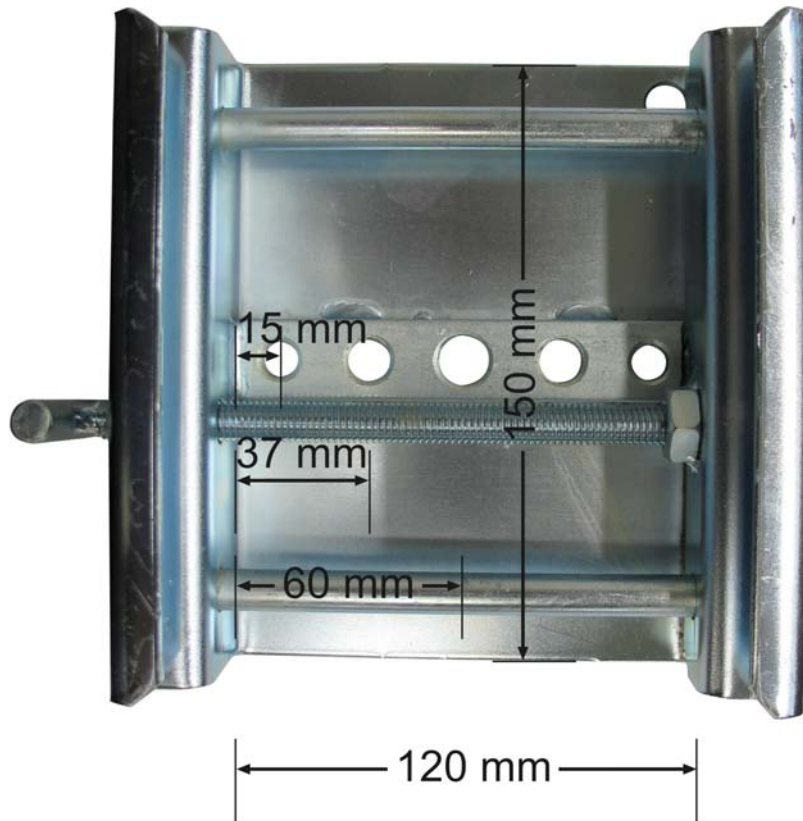
Product Specification

Model: Showtec TentClamp

Weight: 1,32 kg

Maximum Load: 150 Kg (depending on the mounting position)





Design and product specifications are subject to change without prior notice.





© 2006 Showtec.