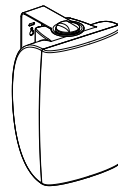


CS-S Series Surface Mount Loudspeakers

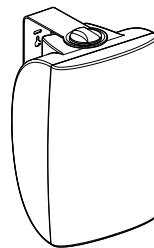
CS-S4

4" SURFACE MOUNT LOUDSPEAKER



CS-S6

6.5" SURFACE MOUNT LOUDSPEAKER



Installation Guide



CAUTION - Installation

Speaker must be installed by qualified speaker technician.



CAUTION - Servicing

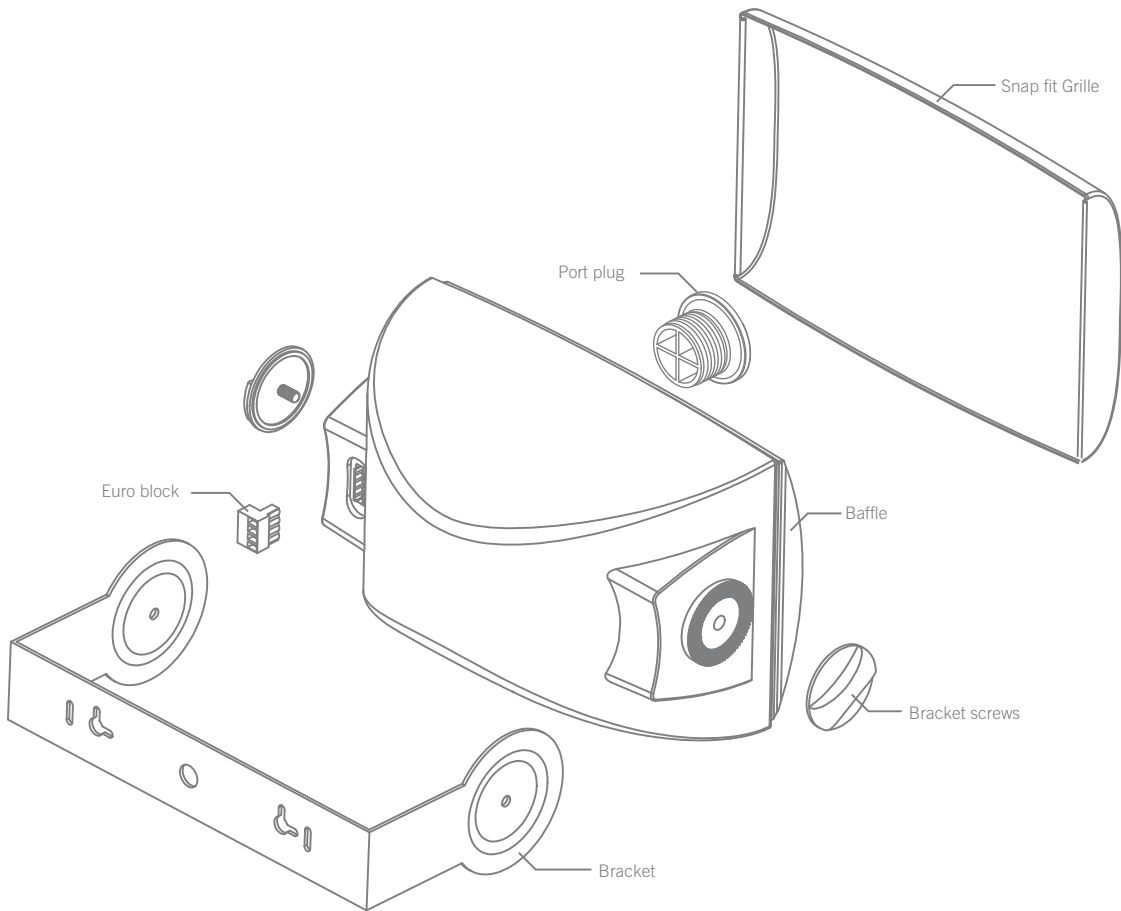
Do not perform servicing unless you are qualified to do so. The unit contains no user-serviceable parts. Refer servicing to qualified personnel.



CAUTION - Tap Switch

Before use check and set tap switch under grille to proper setting for your system.

EXPLODED VIEW



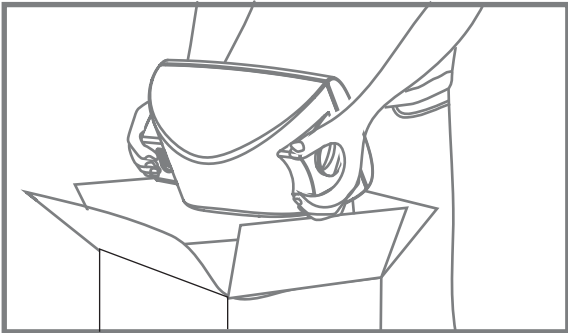
TAP SETTINGS

| Tap | CS-S6 | | | CS-S4 | | |
|-----|--------|-----|------|--------|------|------|
| | 100V | 70V | 25V | 100V | 70V | 25V |
| 1 | 16 ohm | | | 16 ohm | | |
| 2 | X | 32W | 4W | X | 20W | 2.5W |
| 3 | 32W | 16W | 2W | 20W | 10W | 1.3W |
| 4 | 16W | 8W | 1W | 10W | 5W | 0.6W |
| 5 | 8W | 4W | 0.5W | 5W | 2.5W | 0.3W |
| 6 | 4W | 2W | 0.3W | 2.5W | 1.3W | 0.2W |

INSTALLATION

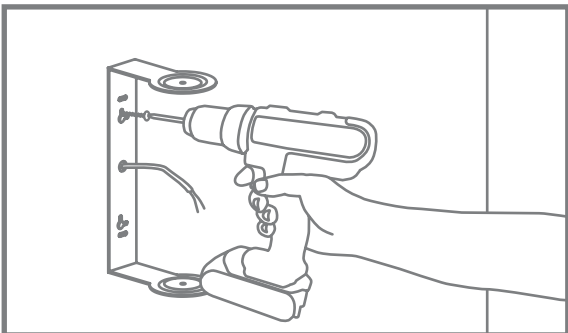
Step 1

Remove speaker from box.



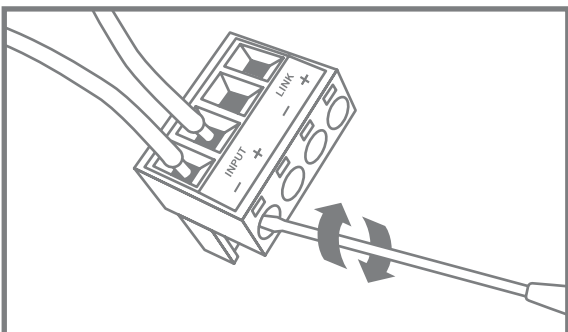
Step 2

Mount bracket to wall.



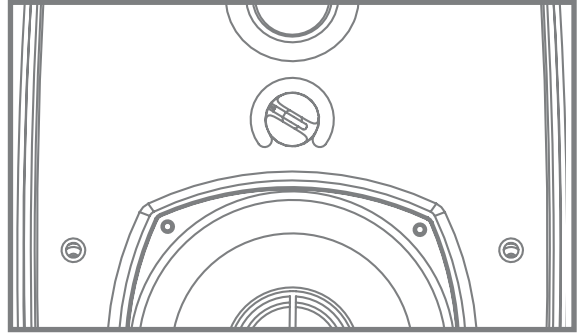
Step 3

Locate euroblock in accessory bag and connect signal wire. For daisy-chaining use "LINK" output to run to next speaker.



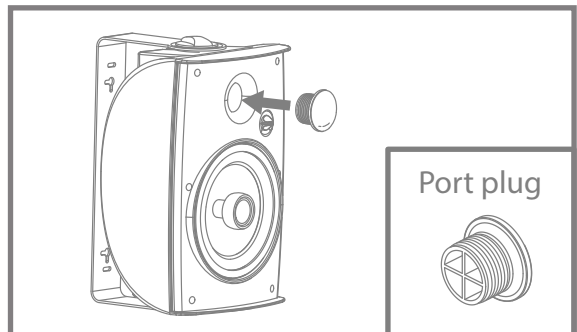
Step 4

Remove grille and set tap switch to proper setting. Tap switch is preset to highest 100V position.



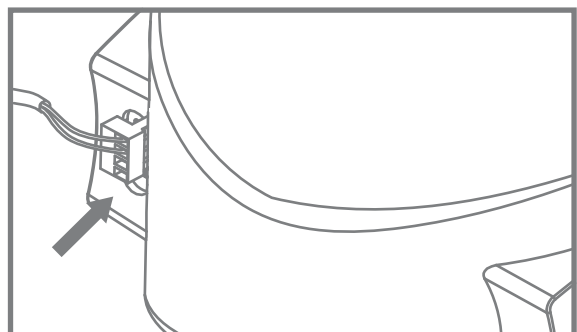
Step 5

For increased weather resistance in outdoor applications, press port plug into port on the baffle.



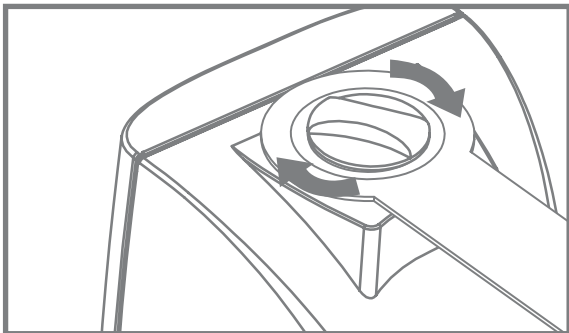
Step 6

Insert euroblock into rear of speaker.



Step 7

Slide speaker into bracket and tighten bracket screws.



Step 8

Aim speaker and tighten bracket screws.

