

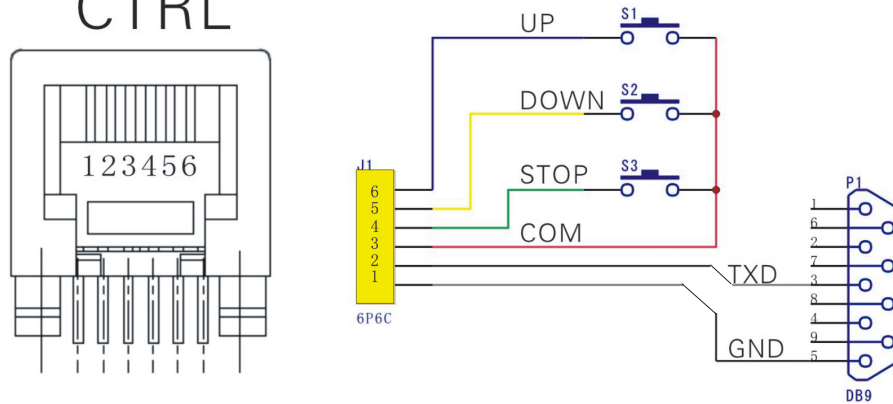
# Central Control Instruction

(For Screens with Integrated Control)

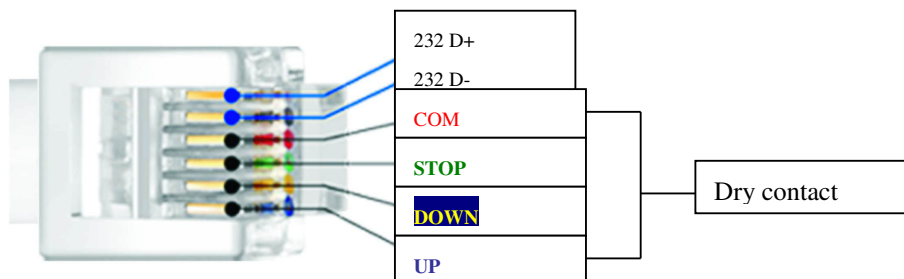
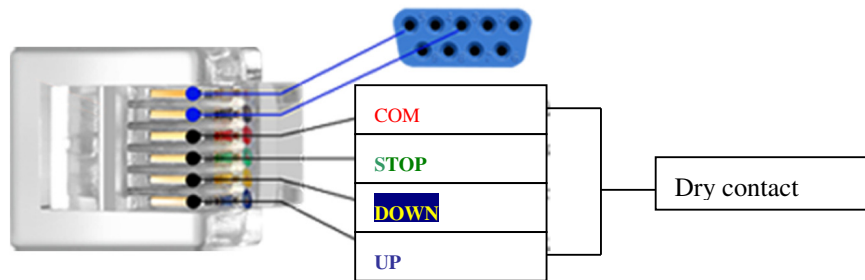
## Integrated control 6P6C

There are 2 individual functions, RS-232 and Dry Contact.

## EXTERNAL CTRL



6P6C:



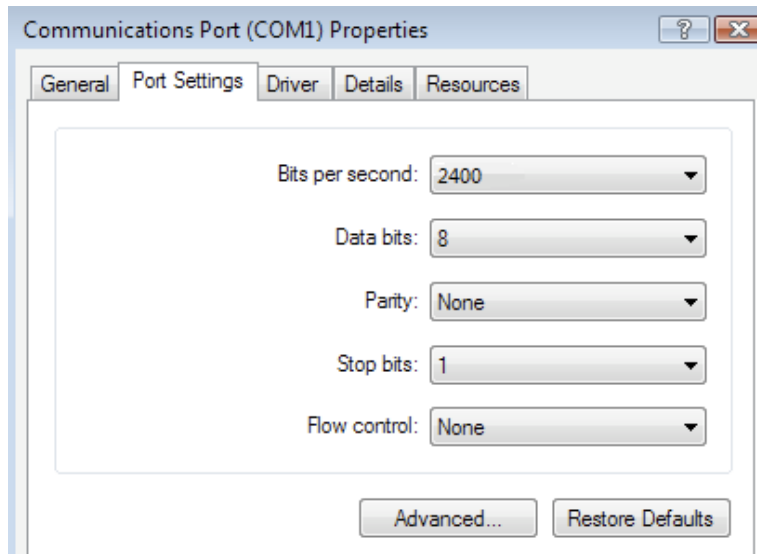
### RS232 Setting:

Bit rate: 2400,

Data bit: 8 digit,

Odd-even check: none

Stop digit: 1



### Control protocol:

UP: 0xff,0xee,0xee,0xee,0xdd

STOP: 0xff,0xee,0xee,0xee,0xcc

DOWN: 0xff,0xee,0xee,0xee,0xee

MICRO-UP: 0xff 0xee, 0xee, 0xee, 0xc9

MICRO-DOWN: 0xff, 0xee, 0xee, 0xee, 0xe9

Remark:

- 1、 If the screen is not functioning accordingly after RS232 is plugged in, please reverse those 2 wires.