

## **Bose® FreeSpace® Model 16/16 EU Loudspeaker**

Installation Guide\*

Installationsvejledning\*

Installationsanleitung\*

Guía de instalación\*

Guide d'installation\*

Guida all'installazione\*

Installatiehandleiding\*

Installationsanvisning\*

***BOSE***®



*\* For use by trained installers only*

*\* Kun til brug for erfarne installatører*

*\* Montage ausschließlich durch ausgebildetes Installationspersonal*

*\* Para uso exclusivo de instaladores capacitados*

*\* Réservé aux installateurs ayant suivi une formation*

*\* Solo per l'uso da parte di installatori professionisti*

*\* Uitsluitend voor gebruik door ervaren installateurs*

*\* Ska endast användas av utbildade installatörer*



## DECLARATION OF CONFORMITY

We, the offerer:

**Bose Corporation, The Mountain, Framingham, MA 01701-9168 USA**

acknowledge our sole responsibility, that the product:

Kind of equipment: Loudspeaker

Type designation: Model 16/16EU loudspeaker

in accordance with EMC Directive 89/336/EEC and Article 10(1) of the Directive,  
is in compliance with the following norm(s) or document(s):

Technical regulations: EN 50081-1, EN 50082-1

Accredited by:

**Bose Corporation, The Mountain, Framingham, MA 01701-9168 USA**

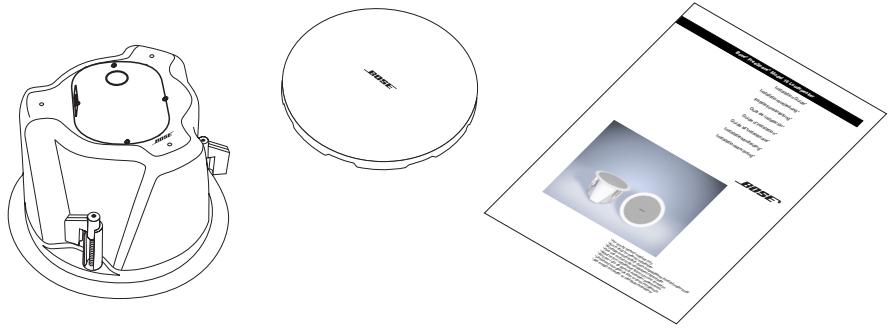
March 20, 2002

Bose Products B.V.  
Nijverheidstraat 8, 1135 GE Edam  
The Netherlands

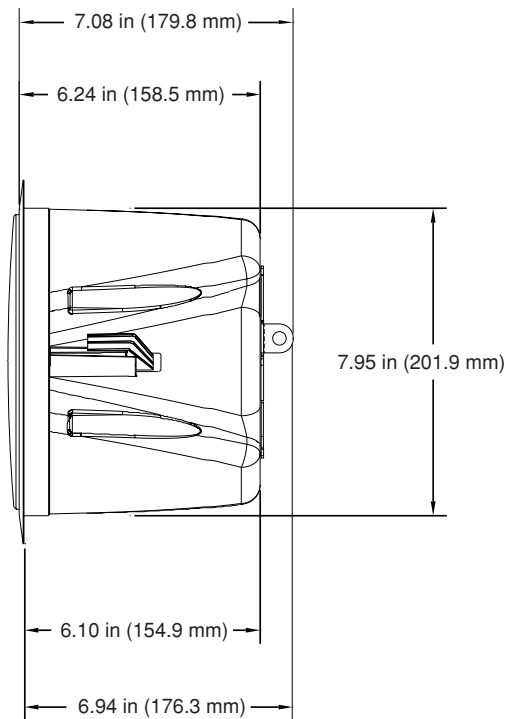
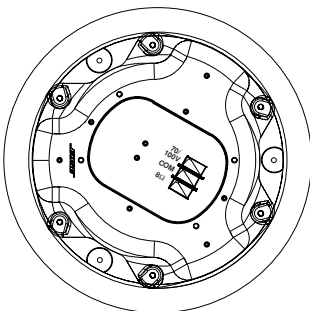
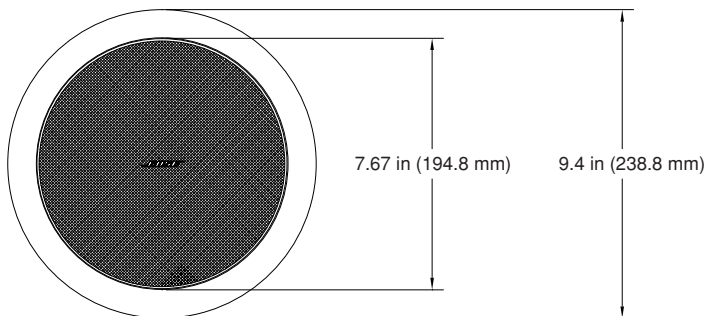
Nic Merks  
Vice President, Europe  
Manufacturer's authorized EU representative

The Bose® FreeSpace® Model 16/16EU loudspeaker has been certified as a fire protective signaling loudspeaker for fire protective signaling use in accordance with UL1480. The Model 16/16EU loudspeaker also complies with the requirements of NFPA 70, National Electric Code 2002, Article 300-22(c), and UL2043 for use in air handling spaces, and NFPA 90A-1996 Installation of Air Conditioning and Ventilation Systems, Section 2-3.10.1(a), Exception 3 when used with the Model PC-16 cover accessory.

**Package Contents**  
**Kassen indeholder**  
**Packungsinhalt**  
**El paquete contiene**  
**Contenu de l'emballage**  
**Contenuto della confezione**  
**Inhoud van de verpakking**  
**Paketets innehåll**



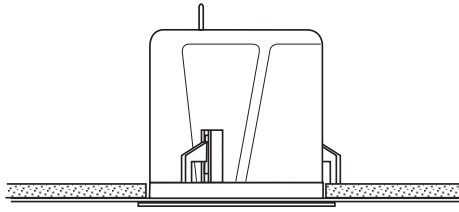
**Dimensions**  
**Mål**  
**Abmessungen**  
**Dimensiones**  
**Dimensions**  
**Dimensioni**  
**Afmetingen**  
**Dimensioner**



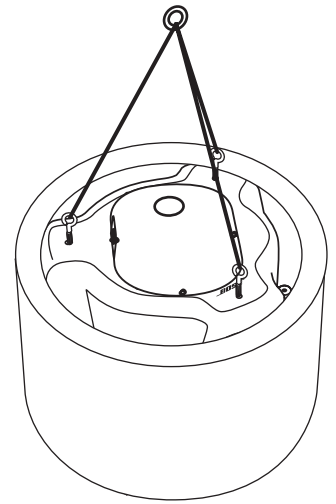
- English
- Dansk
- Deutsch
- Español
- Français
- Italiano
- Nederlands
- Svenska

**Choices**  
**Valgmuligheder**  
**Optionen**  
**Opciones**  
**Au choix**  
**Opzioni**  
**Keuzes**  
**Alternativ**

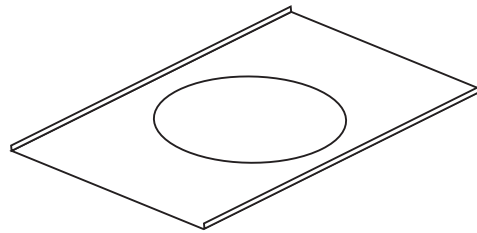
Required Bose® Tile Bridge  
or Optional Bose Rough-in Pan



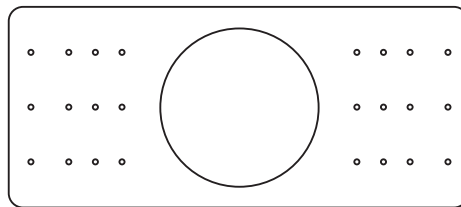
Optional Bose Pendant Mount Kit



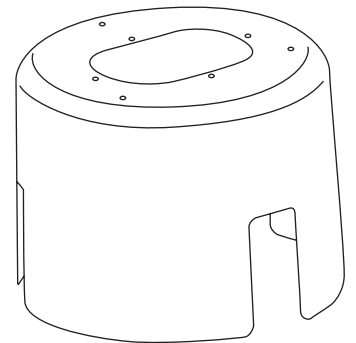
Tile Bridge



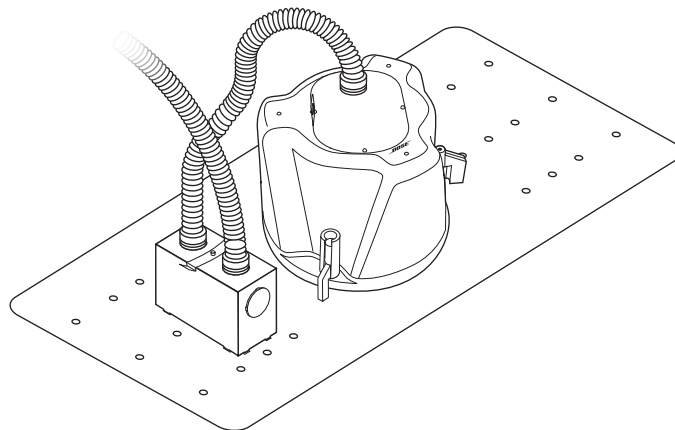
Rough-in Pan



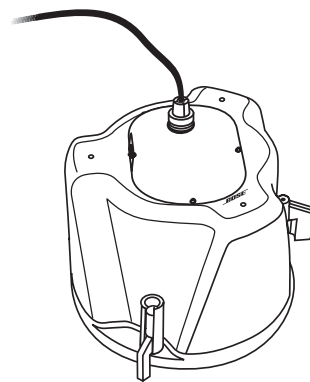
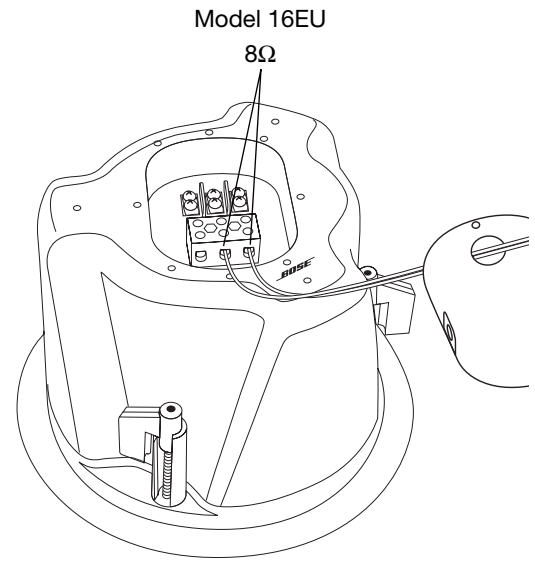
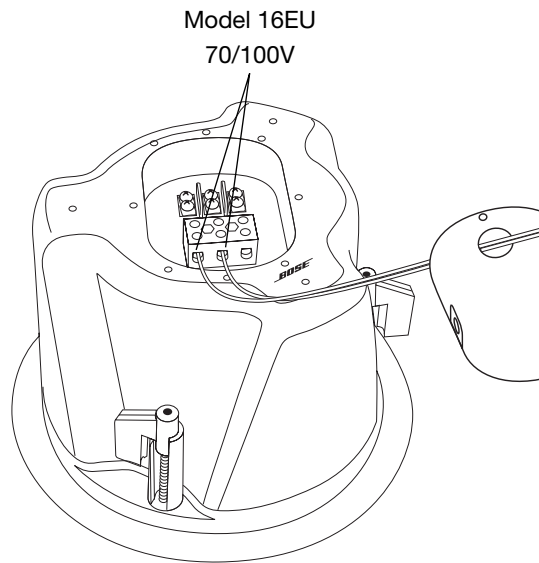
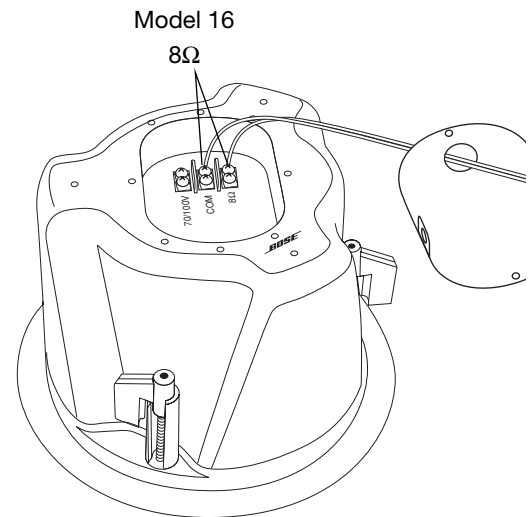
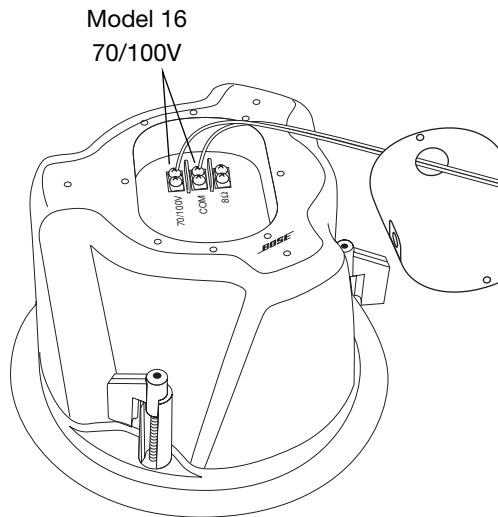
PC - 16 Plenum Cover



Optional Junction Box



**Connections**  
**Tilslutninger**  
**Anschlüsse**  
**Conexiones**  
**Raccordements**  
**Collegamenti**  
**elettrici**  
**Verbindingen**  
**Anslutningar**



- English
- Dansk
- Deutsch
- Español
- Français
- Italiano
- Nederlands
- Svenska

## Installation

**Mounting the module**

**Montering til modulet**

**Aufbau des Moduls**

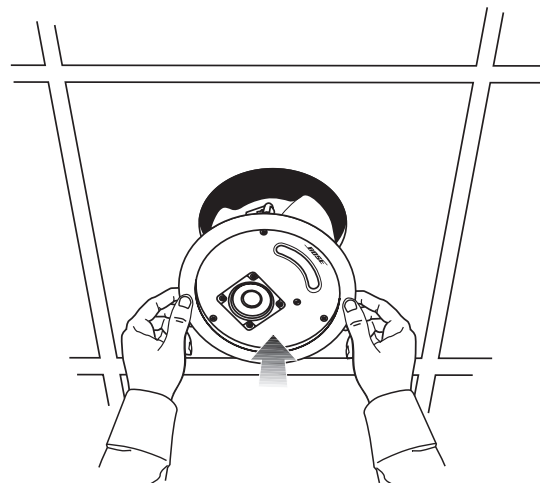
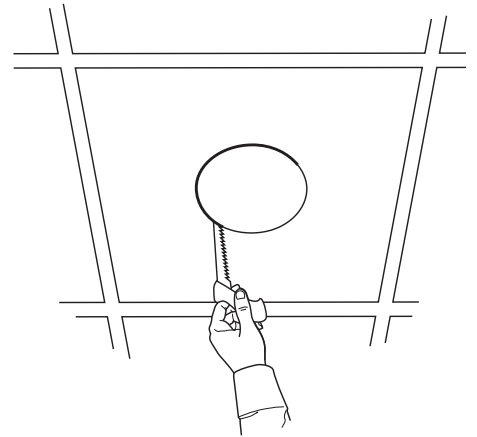
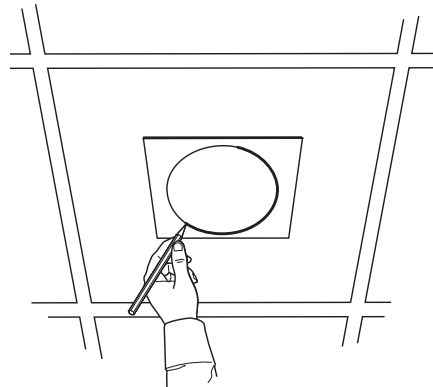
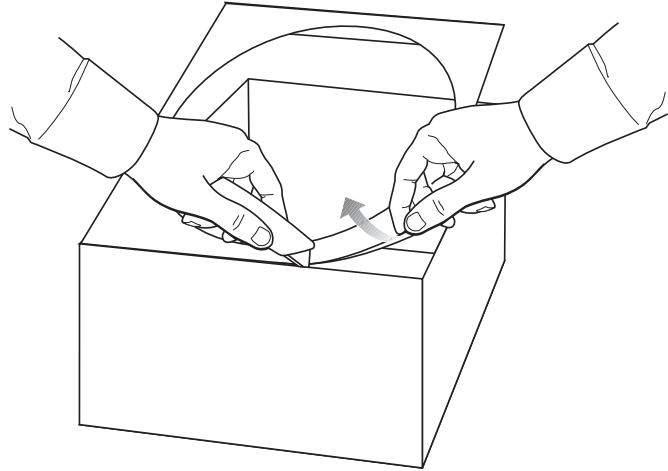
**Montaje del módulo**

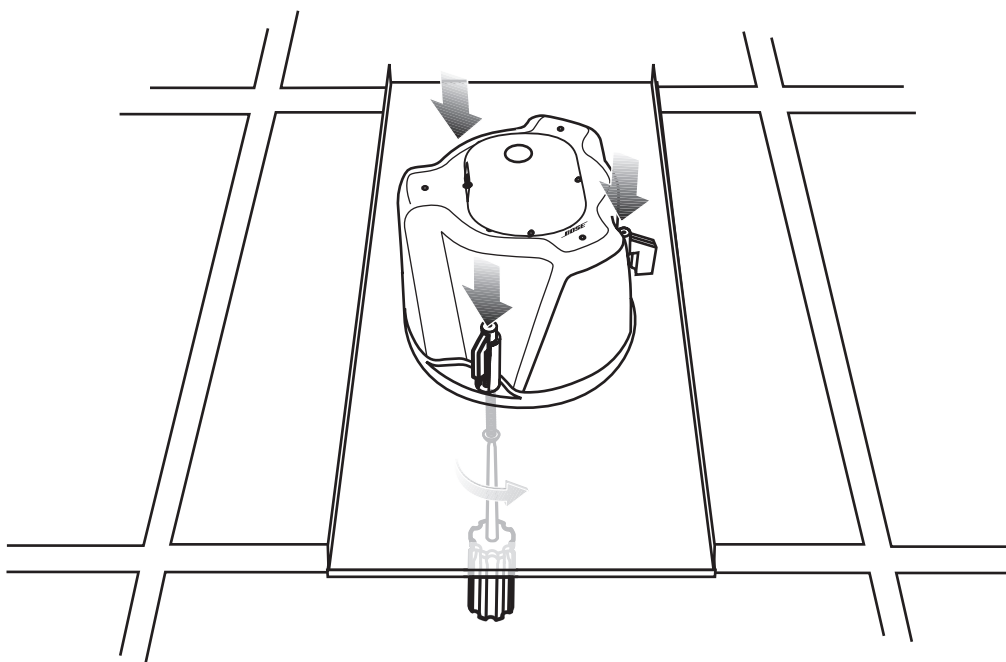
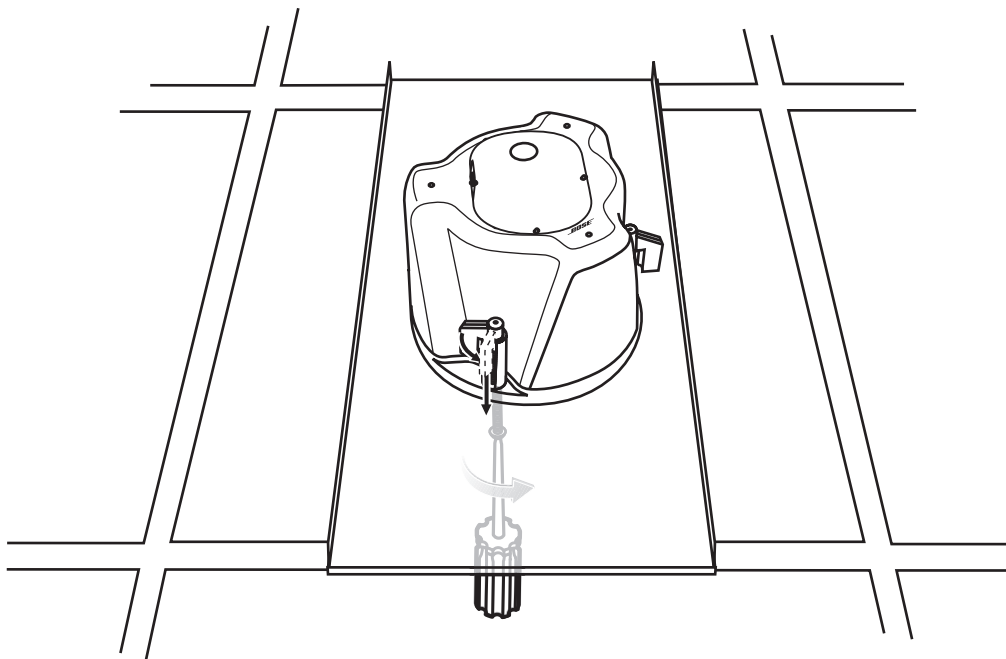
**Fixation du module**

**Installazione**

**Monteren van de module**

**Montering för modulen**





Bose Tile Bridge Required

## Installation

**Transformer tap setting or bypass**

**Transformer tapsætning eller lavohms**

**Einstellen der Transformator-abgriffe bzw. deren Umgehung**

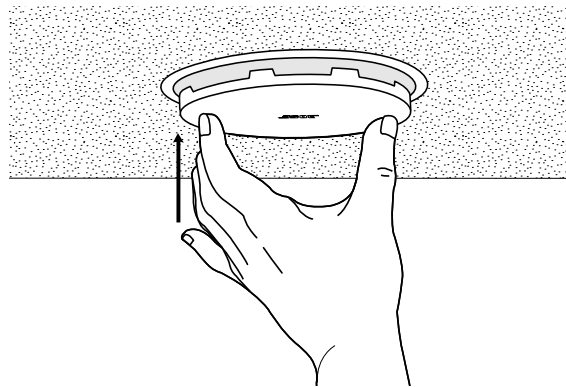
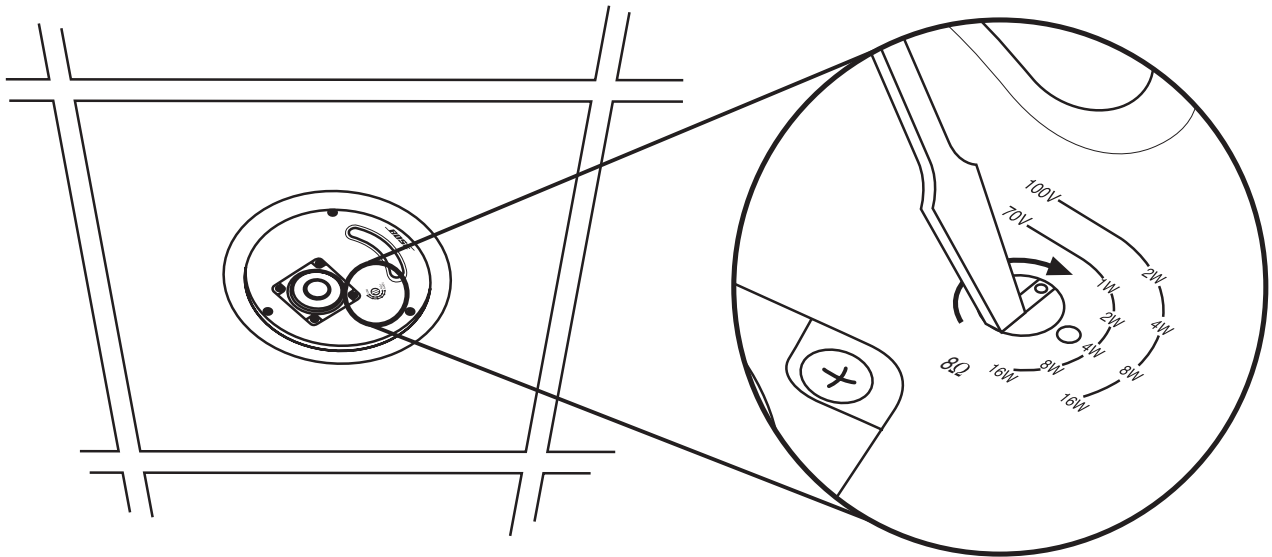
**Ajuste del cambiador de la relación de transformación o bypass**

**Position des réglages ou shunt du transformateur**

**Trasformatore: impostazione delle potenze intermedie; esclusione.**

**Aftaknings-instelling van de transformator of bypass**

**Tappinställning eller avledning för transformator**





## Safety and regulatory compliance

The Model 16 and 16EU have passed extensive testing and comply with the following specifications and uses:

UL1480 listed:

- Fire Protective Signaling Use - UL Category UUMW, File Number S 3241 Control Number 42S9
- Suitable for use indoors in damp locations.
- Suitable for installation using Class 1, Class 2, or Class 3 wiring methods in accordance with NFPA 70, *National Electric Code*, 2002, Article 640.
- Suitable for use with fire alarm circuit wiring methods in accordance with NFPA 70, *National Electric Code*, 2002, Article 760.

Suitable for use in air handling plenum spaces with a model PC-16 Plenum Cover installed:

- UL-2043, *Fire Test and Visible Smoke Release for Discrete Products and their Accessories Installed in Air Handling Spaces*
- NFPA-70, *National Electrical Code*, 2002, Article 300.22(C)
- NFPA 90A, 2002, *Installation of Air Conditioning and Ventilation Systems*, Paragraph 4.3.10.2.6.5

EMC Directive 89/336/EEC and Article 10 (1) of the directive, EN50081-1 and EN50082-1 as signified by the CE mark.

The Model 16EU has also been designed to the requirements defined in the following European regulatory specifications for combination systems:

- British Standard Code of Practice BS 5839, Part 8
- Netherlands Standard NEN 2575

UL Sensitivity per UL-1480/ ANSI-S12.31:

Wattage Tap	Sound pressure level* dBA at 3.1m (10 ft) (70V)	Sound pressure level* dBA at 3.1m (10 ft) (100V)
1 Watt	74 dBA	-
2 Watt	77 dBA	77 dBA
4 Watt	80 dBA	80 dBA
8 Watt	83 dBA	83 dBA
16 Watt	85 dBA	85 dBA

\*SPLs given are per the UL1480 specified reporting method

Frequency Response:

Fire alarm: 400 Hz to 4 kHz

General Signaling: 80 Hz to 16 kHz (+/- 3 dB)







***BOSE***<sup>®</sup>  
***Better sound through research***<sup>®</sup>

©2002 Bose Corporation, The Mountain  
Framingham, MA 01701-9168 USA  
263556 AM Rev.02 JN30576