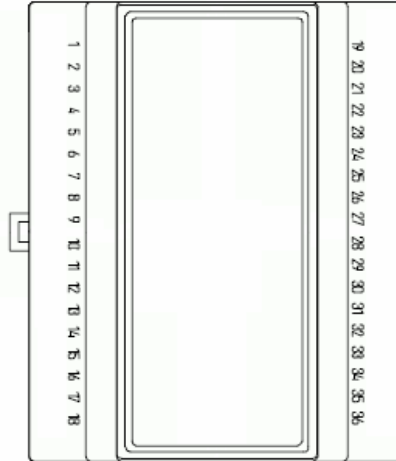


## Hardware Connections CS-HUB

### The Hub pin out

Number	Description
1	+24Vdc In
2	Common In
3	NC
4	Port0 D+
5	Port0 D-
6	Port0 Common
7	+24Vdc Out
8	Common Out
9	NC
10	Port1 D+
11	Port1 D-
12	Port1 Common
13	+24Vdc Out
14	Common Out
15	NC
16	Port2 D+
17	Port2 D-
18	Port2 Common



Number	Description
19	+24Vdc Out
20	Common Out
21	NC
22	Port5 D+
23	Port5 D-
24	Port5 Common
25	+24Vdc Out
26	Common Out
27	NC
28	Port4 D+
29	Port4 D-
30	Port4 Common
31	+24Vdc Out
32	Common Out
33	NC
34	Port3 D+
35	Port3 D-
36	Port3 Common

<b>Power supply</b>	
Voltage	12-24Vdc +/- 10%
Current	@ 12Vdc 100mA @ 24Vdc 50mA
Recommend power supply	BOSE CS AMS-8 24Vdc, 2.7A stabilized power supply
<b>RS485 Wiring</b>	
Max distance	600m
Termination	120ohm
Cable type	1 pair twisted and shielded
	Nom. Cap. 40pF/m
	Nom. Imp. 124ohm
	Nom. Att. 2dB @ 1MHz
Recommended cable	BOSE CS AMS-8 Communication/power Cable for CS-WC/CS-PP/CS-HUB/CS-AMS8

## CS- HUB Description

The Hub is designed to create star networks as opposed to the standard ring network normally used with CS AMS-8. The hub has 1 input port and 5 output ports. In other words with the Hub you can create 5 different RS485 ring networks or 5 point to point connections or a mix of these two versions.

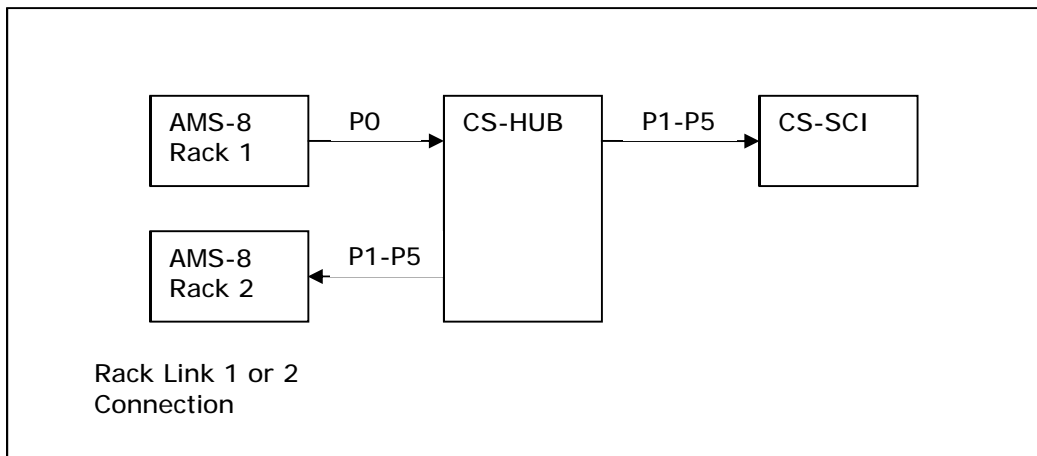
Each port provides a power connection and a RS485 connection. The power connection is fused with a 300mA resettable fuse. If a power failure on one of the 5 ports happens a red led will light up on the port with the failure.

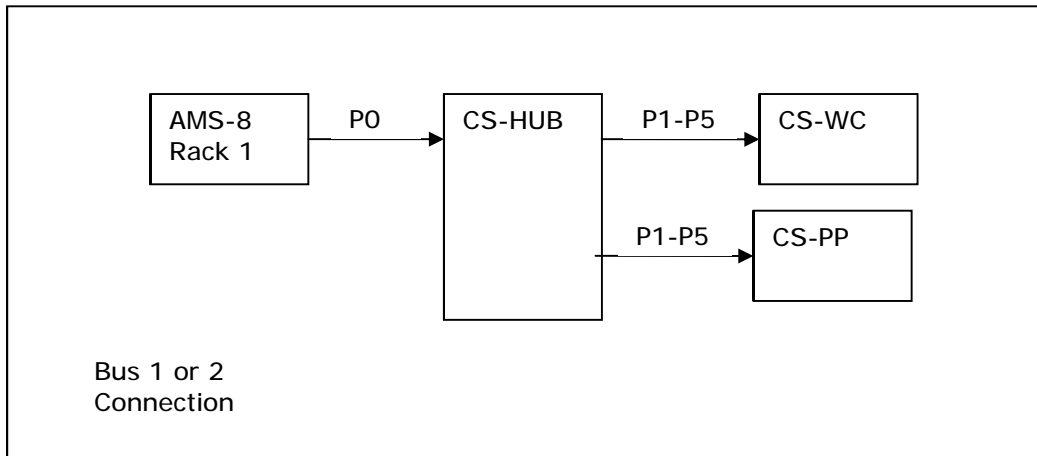
To check if communication is present on a port a yellow led is illuminated for each port.

The Hub can be placed on the CS-WC and CS-PP network or the AMS-8 and CS-SCI network. Be sure never to mix these two separated networks!

It's possible to connect more then one device on an output of the CS-Hub, but make sure in case the power output is used never to exceed the maximum current limit of 300mA.

The end of each Hub output has to be terminated, to prevent wave reflections over the communication cable.





Possible configurations:

Example 1

Input: AMS-8

Output: 4 x CS-WC and 1 x CS-PP

Example 2

Input: AMS-8

Output: 3 x CS-WC and 2 x CS-PP

Example 3

Input: AMS-8

Output: 5 x CS-WC

Be aware never to exceed the maximum connections of one AMS-8 Rack. Which is 8 CS-WC's and 2 CS-PP's.

This document was created with Win2PDF available at <http://www.win2pdf.com>.  
The unregistered version of Win2PDF is for evaluation or non-commercial use only.