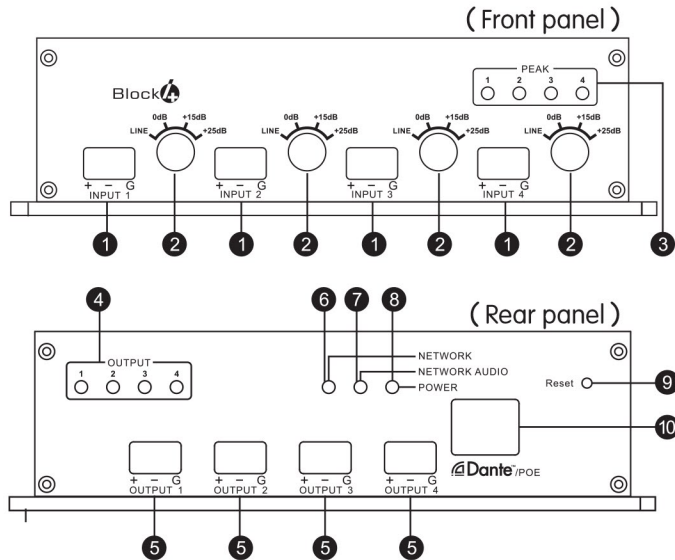


The name and function of each part



- 1 four analog audio input interfaces: the plug is 3.81mm pitch plug-in terminal (commonly known as Phoenix jack).
- 2 band-type mechanical adjustment switch, switch LINE input and microphone input, where the microphone input has 3 levels of gain adjustment (0db, +15db, +25db).
- 3 PEAK: peak indicator, used to monitor the channel input signal level of the state, when the signal level is normal, the indicator light green, if the signal level overload, the indicator light red.
- 4 four audio output indicator.
- 5 four analog balanced audio output interface, the plug is 3.81mm pitch plug-in terminal (commonly known as Phoenix jack).
- 6 NETWORK: network connection indicator.
- 7 NETWORK AUDIO: network audio indicator, when the audio signal through the conversion box, the light will be lit.
- 8 POWER: power indicator.
- 9 Reset: reset switch, press the button to restore the factory settings.
- 10 RJ45 cable interface, need to connect the switch with POE power supply, for the conversion box to provide POE power supply. As data connect port of Dante data and data from the control software.

Technical Parameters

Maximum audio output level:	18dBV
Audio input gain:	Line ,0dB ,+15dB ,+25dB
Audio Interface:	Plug-in terminals (commonly known as Phoenix socket)
Audio Frequency Response :	20HZ ~ 20KHZ ± 2dB
Dynamic Range:	110dB
Signal-To-Noise Ratio:	108dB, 1 kHz at 1 Pa
Power supply:	POE IEEE802.3af standard, providing 48V phantom power for the device
Power consumption :	5W
Input impedance :	2.2K Ω
Output impedance :	600 Ω
Dimension :	165.7mm X 83.2mm X 44.3mm
Weight :	550g
DANTE Network:	RJ45 connector, CAT5 or CAT6 cable over 100 Mbps

Dante conference system connection diagram

