



DOUGHTY ENGINEERING LTD

DATA SHEET

TITLE: FEMALE SPIGOT M10
(LONG SHANK EURO)

PART NOS:
T74700

MATERIAL:
STEEL

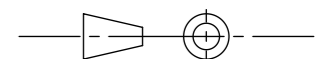
WEIGHT:

SWL:

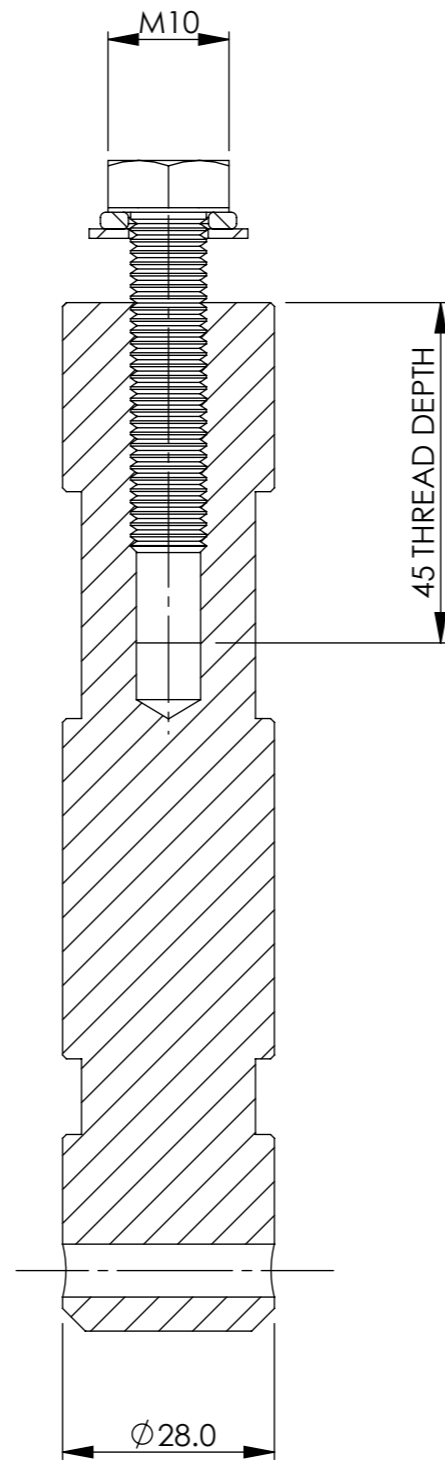
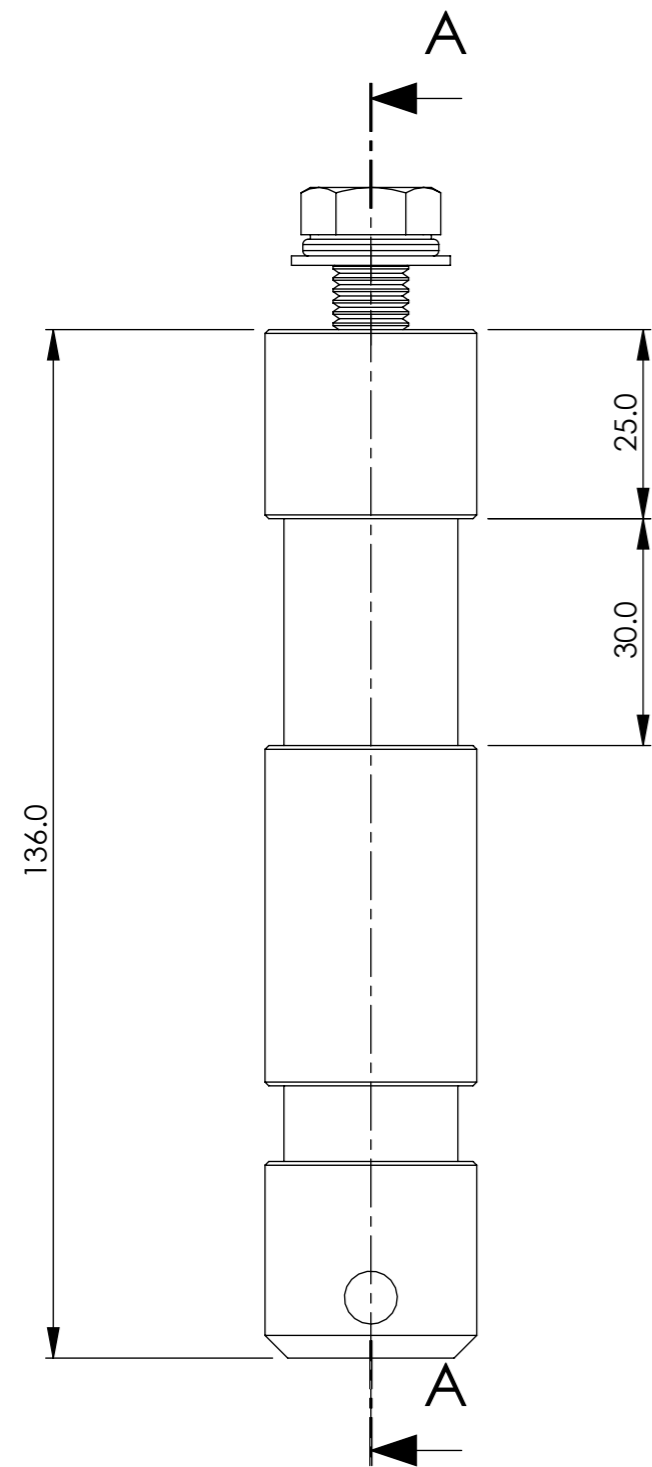
FINISH:
CHROME PLATED

NOTES:

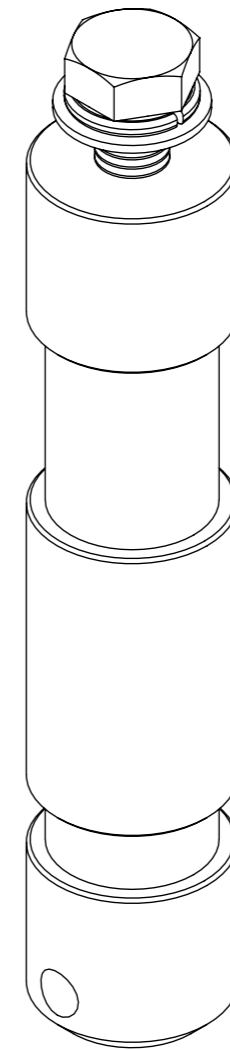
**STRICTLY
FOR
REFERENCE
PURPOSES
ONLY**



THIRD ANGLE PROJECTION



SECTION A-A





DOUGHTY ENGINEERING LTD

DATA SHEET

TITLE: FEMALE SPIGOT M12
(LONG SHANK EURO)

PART NOS:
T74710

MATERIAL:
STEEL

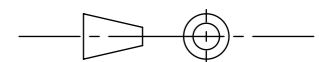
WEIGHT:

SWL:

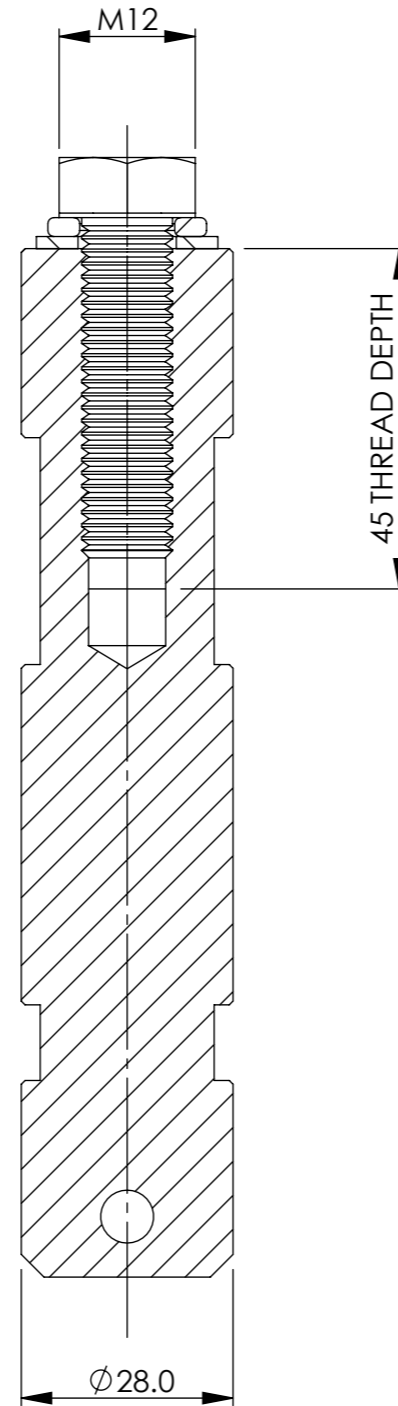
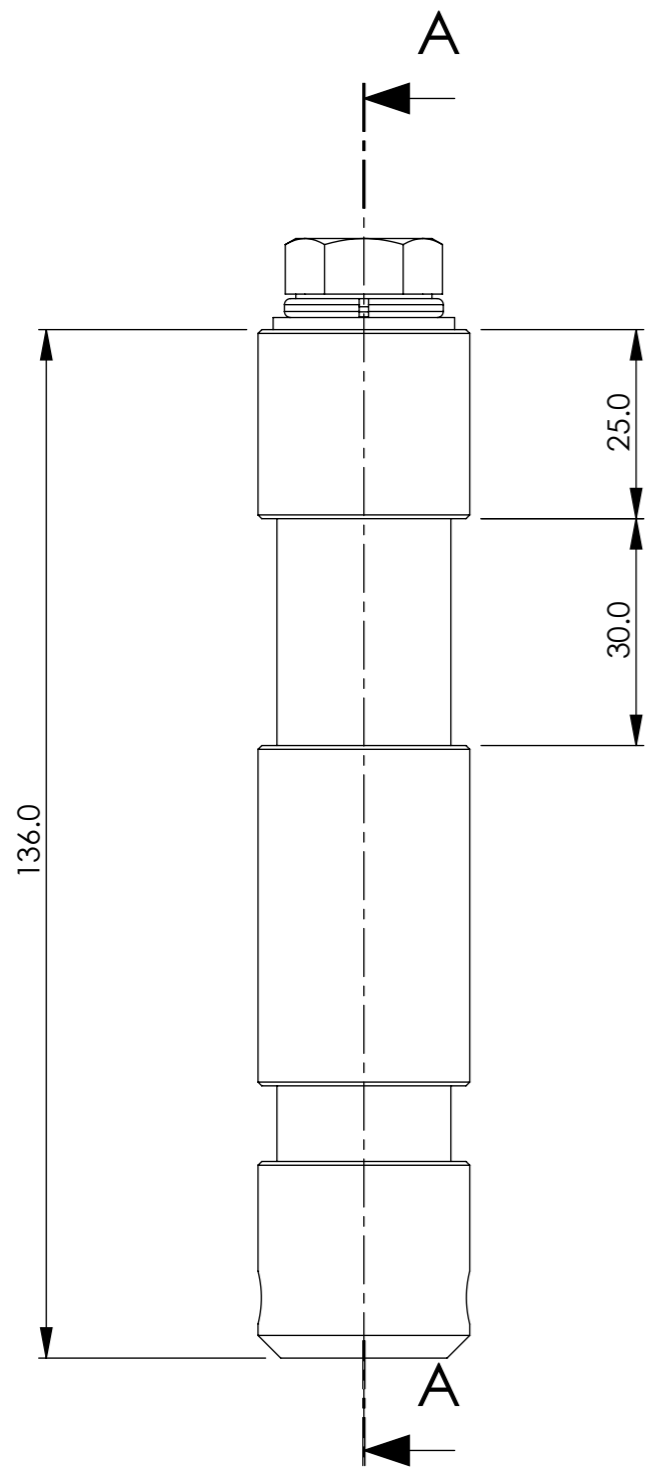
FINISH:
CHROME

NOTES:

**STRICTLY
FOR
REFERENCE
PURPOSES
ONLY**



THIRD ANGLE PROJECTION



SECTION A-A

