



evolution wireless G4

SK 500 G4 | Bodypack Transmitter



FEATURES

- Powerful bodypack transmitter with increased bandwidth and transmission power
- Easy and flexible wireless synchronization between transmitter and receiver via infrared
- Up to 32 compatible channels
- Up to 88 MHz bandwidth with 3520 selectable frequencies, fully tunable in a stable UHF range
- Ethernet connection for Wireless Systems Manager (WSM) control software for advanced frequency coordination in multi-channel setups
- High RF output power (up to 50 mW, adjustable in three steps 10/30/50) depending on country regulations

Powerful bodypack transmitter with increased bandwidth and transmission power, ready to take the world's biggest live stages. For evolution wireless G4 500 Series systems.

DELIVERY INCLUDES

- SK 500 G4 bodypack transmitter
- 2 AA batteries
- pouch
- quick guide
- safety guide
- manufacturer declaration sheet

ACCESSORIES

| | | |
|----------------|----------------------|-----------------|
| BA 2015 | rechargeable battery | Art. no. 009950 |
| L 2015 | charger | Art. no. 009828 |
| Ci 1-N | instrument cable | Art. no. 005021 |
| CL 2 | microphone cable | Art. no. 004840 |

PRODUCT VARIANTS

Made in Germany

| | | |
|----------------------|-----------------|-----------------|
| SK 500 G4-K+ | 925 - 937.5 MHz | Art. no. 507774 |
| SK 500 G4-GBw | 606 - 678 MHz | Art. no. 507775 |
| SK 500 G4-Gw | 558 - 626 MHz | Art. no. 507776 |
| SK 500 G4-Bw | 626 - 698 MHz | Art. no. 507777 |
| SK 500 G4-Cw | 718 - 790 MHz | Art. no. 507778 |
| SK 500 G4-Dw | 790 - 865 MHz | Art. no. 507779 |
| SK 500 G4-Aw+ | 470 - 558 MHz | Art. no. 508413 |

Assembled in USA

| | | |
|----------------------|---------------|-----------------|
| SK 500 G4-AS | 520 - 558 MHz | Art. no. 508113 |
| SK 500 G4-JB | 806 - 810 MHz | Art. no. 508114 |
| SK 500 G4-Gw | 558 - 626 MHz | Art. no. 508115 |
| SK 500 G4-Bw | 626 - 698 MHz | Art. no. 508116 |
| SK 500 G4-Cw | 718 - 790 MHz | Art. no. 508117 |
| SK 500 G4-Dw | 790 - 865 MHz | Art. no. 508118 |
| SK 500 G4-Aw+ | 470 - 558 MHz | Art. no. 508434 |
| SK 500 G4-Gw1 | 558 - 608 MHz | Art. no. 508455 |



evolution wireless G4

SK 500 G4 | Bodypack Transmitter

SPECIFICATIONS

| RF characteristics | |
|--------------------------------|---|
| Modulation | Wideband FM |
| Frequency ranges | Aw+: 470 - 558 MHz AS: 520 - 558 MHz Gw1: 558 - 608 MHz Gw: 558 - 626 MHz GBw: 606 - 678 MHz Bw: 526 - 698 MHz Cw: 718 - 790 MHz Dw: 790 - 865 MHz JB: 806 - 810 MHz K+: 925 - 937.5 MHz |
| Transmission frequencies | Max. 2880 frequencies, adjustable in 25 kHz steps 20 frequency banks, each with up to 32 factory-pre-set channels, no intermodulation 6 frequency banks with up to 32 programmable channels |
| Switching bandwidth | up to 72 MHz |
| Nominal/peak deviation | ± 24 kHz / ± 48 kHz |
| Frequency stability | $\leq \pm 15$ ppm |
| RF output power at 50 Ω | switchable: Low: typ. 10 mW Standard: typ. 30 mW High: typ. 50 mW |
| Pilot tone squelch | Can be switched off |

| AF characteristics | |
|--|---|
| Compander system | Sennheiser HDX |
| AF frequency response | Mic: 80 - 18,000 Hz Line: 25 - 18,000 Hz |
| Signal-to-noise ratio (1 mV, peak deviation) | ≥ 115 dBA |
| Total harmonic distortion (THD) | ≤ 0.9 % |
| Max. microphone/line input voltage | 3 V _{eff} |
| Microphone/line input impedance | 40 k Ω , unbalanced / 1 M Ω |
| Input capacitance | Switchable |
| Setting range for input sensitivity | 60 dB, adjustable in 3 dB steps |

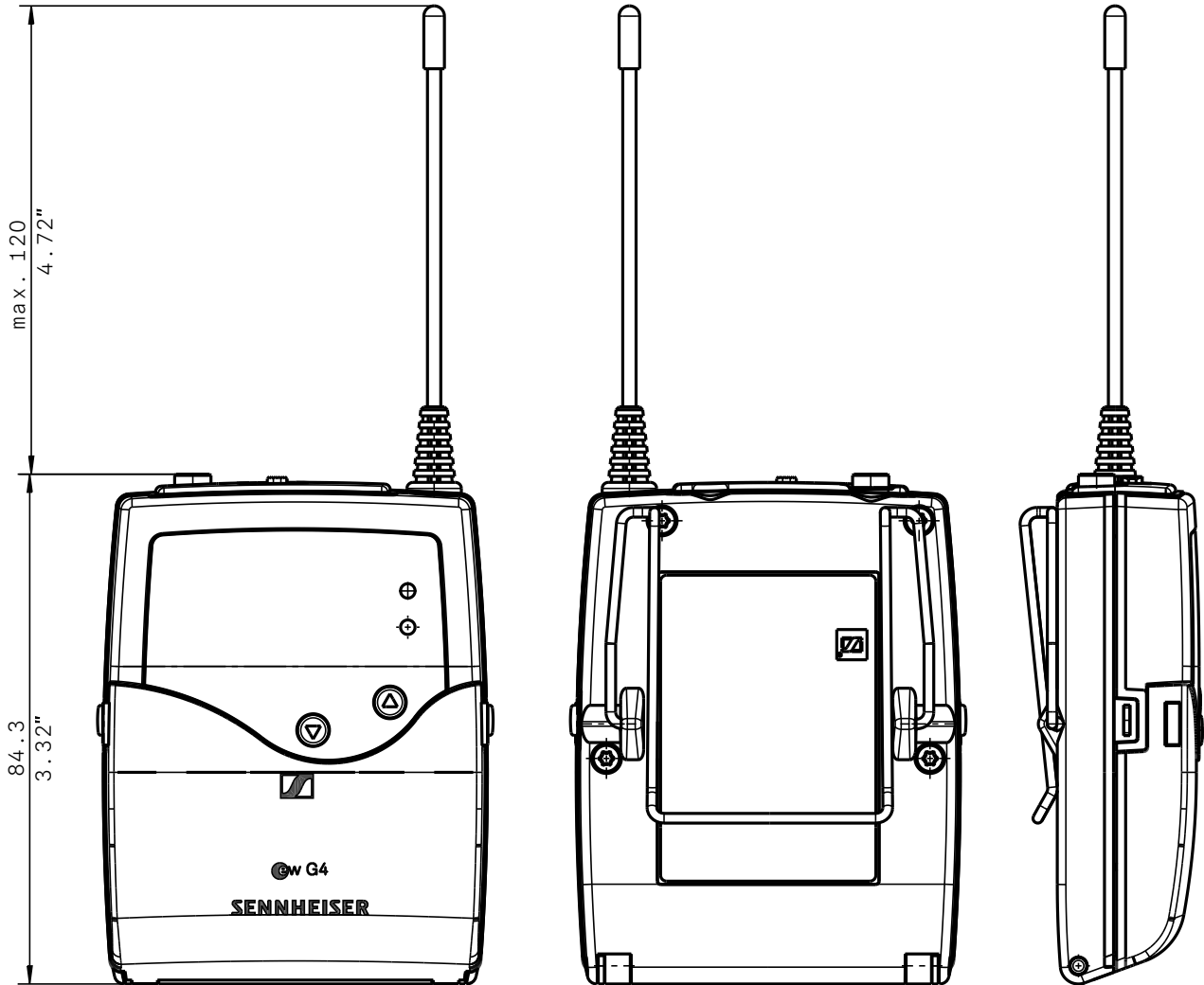
| Overall device | |
|--------------------------|--|
| Temperature range | -10 °C to +55 °C |
| Power supply | 2 AA batteries, 1.5 V or BA 2015 accupack |
| Nominal voltage | 3 V battery / 2.4 V rechargeable battery |
| Current consumption | at nominal voltage: typ. 180 mA with transmitter switched off: ≤ 25 μ A |
| Operating time | Typically 8 h |
| Dimensions | Approx. 82 x 64 x 24 mm |
| Weight (incl. batteries) | approx. 160 g |



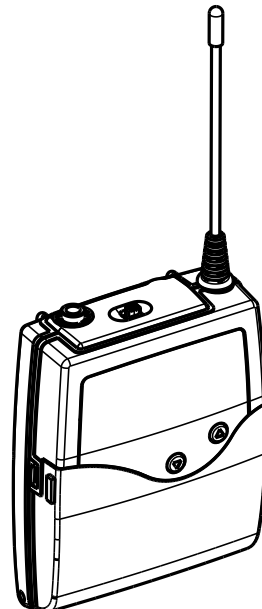
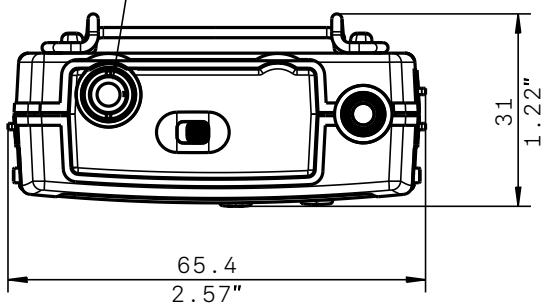
evolution wireless G4

SK 500 G4 | Bodypack Transmitter

DIMENSIONS



3,5mm Klinke
3,5mm plug





evolution wireless G4

SK 500 G4 | Bodypack Transmitter

ARCHITECT'S SPECIFICATION

The compact bodypack transmitter shall be for use with a companion receiver as part of a wireless RF transmission system.

The bodypack transmitter shall operate within ten UHF frequency ranges, with a switching bandwidth of up to 88 MHz: 470 – 558 MHz, 520 – 558 MHz, 558 – 608 MHz, 558 – 626 MHz, 606 – 678 MHz, 626 – 698 MHz, 718 – 790 MHz, 790 – 865 MHz, 806 – 810 MHz, 925 – 937.5 MHz; transmission frequencies shall be 2,880 per range and shall be tunable in 25 kHz steps. The bodypack transmitter shall feature 20 fixed frequency banks with up to 32 compatible frequency presets and 6 user banks with up to 32 user programmable frequencies.

The bodypack transmitter shall be menu-driven with a backlit LC display showing the current frequency, frequency bank and channel number, metering of AF level, transmission status, lock status, pilot tone transmission, muting function, and battery status. An auto-lock feature shall be provided to prevent settings from being accidentally altered. The bodypack transmitter parameters shall either be configurable in the associated receiver's menu and synchronized with the bodypack transmitter via an integrated infrared interface or shall be programmable in the bodypack transmitter menu.

The bodypack transmitter shall be equipped with a mute switch, which shall be switchable between "AF on/off", "RF on/off" and "Disabled" via the user interface.

Nominal/peak deviation shall be ± 24 kHz/ ± 48 kHz. Frequency stability shall be $\leq \pm 15$ ppm. RF output power at 50 Ω shall be switchable between 10 mW (typical, low) and 30 mW (typical, standard) and 50 mW (typical, high).

The bodypack transmitter shall incorporate the Sennheiser HDX compander system and a defeatable pilot tone squelch. Audio frequency response shall range from 80 – 18,000 Hz (microphone) or 25 - 18,000 Hz (line). Signal-to-noise ratio at 1 mV and peak deviation shall be ≥ 115 dBA. Total harmonic distortion (THD) shall be ≤ 0.9 %. Input sensitivity shall be adjustable within a 60 dB range in steps of 3 dB.

Power shall be supplied to the bodypack transmitter by two 1.5V AA size batteries or by one Sennheiser BA 2015 rechargeable accupack. Nominal voltage shall be 2.4 V, current consumption shall be typical 180 mA at nominal voltage; ≤ 25 μ A when bodypack transmitter is switched off. Operating time shall be typical 8 hours. The bodypack transmitter shall have a rugged metal housing; dimensions shall be approximately 82 x 64 x 24 mm (3.23" x 2.52" x 0.94"). Weight including the batteries shall be approximately 160 grams (0.35 lbs). Operating temperature shall range from -10 $^{\circ}$ C to $+55$ $^{\circ}$ C ($+14$ $^{\circ}$ F to $+131$ $^{\circ}$ F).

The bodypack transmitter shall be the Sennheiser SK 500 G4.