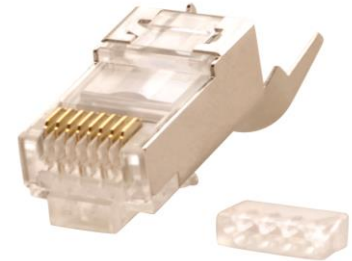


## CON-RJ45-1 Specifications

Shielded RJ-45 Connector for CAT6/CAT6<sub>A</sub> Cable

Applicable Standards: TIA/EIA-568C.2.  
 Max Current/Voltage: 2A/250V  
 Contact resistance: 20m ohms  
 Insulation resistance: 100M ohms  
 Temperature rating (min/max): -25/55 °C  
 Max. Insertion/Extractions: 200 mating cycles  
 Weight: 6.8g/pcs

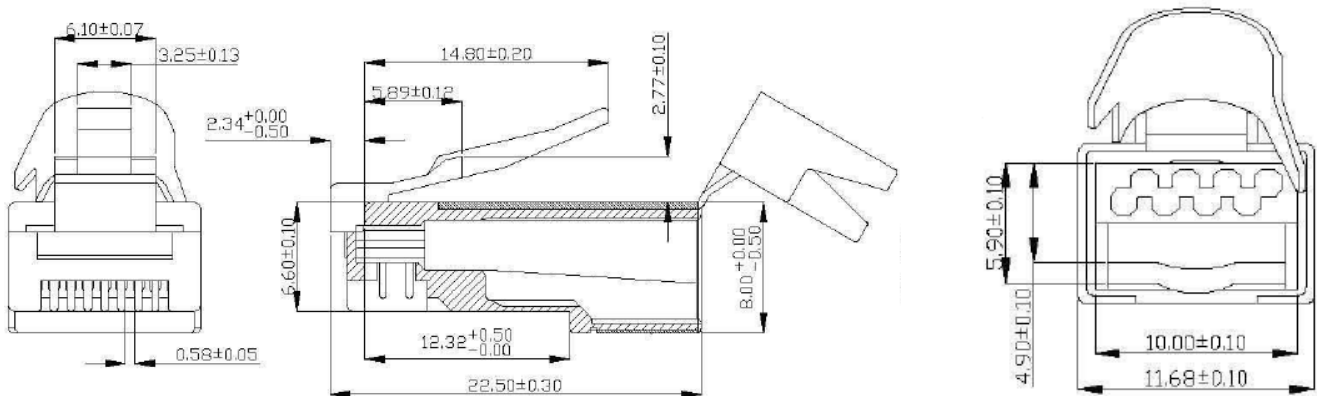


Material/finish:

- (A) Plug Housing: Polycarbonate, UL94-V0
- (B) Contacts: Copper
- (C) Rear Shield: Copper
- (D) Inner Ferrule: Polycarbonate

Wire AWG min/max (solid/stranded) 24AWG to 23AWG  
 Conductor diameter (min/max) 0.40/0.55mm  
 Cord diameter (max):1.35mm

### Mechanical dimensions



**Ordering information:** CON-RJ45-1 (Minimum Purchase, 10 Units)

Accessories-Connector Boot for RJ-45 plug:

Model	Description
CB-BLUE	10 Cable Boots - Blue (99-9204501)
CB-GRAY	10 Cable Boots - Gray (99-9204502)
CB-GREEN	10 Cable Boots - Green (99-9204503)
CB-BLACK	10 Cable Boots - Black (99-9204506)
CB-PURPLE	10 Cable Boots - Purple (99-9204508)