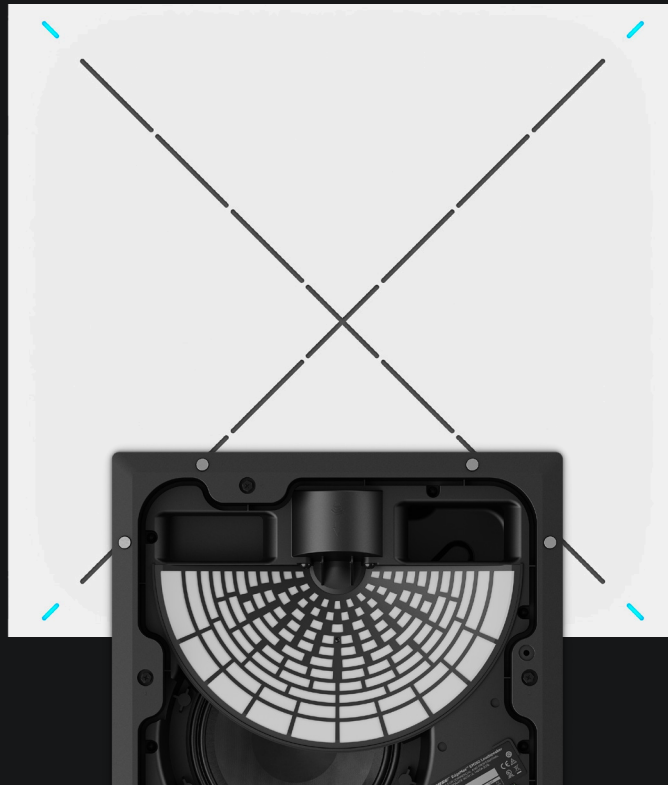


BOSE



SENNHEISER



Sennheiser
TeamConnect
Ceiling 2 microphone*

Bose EdgeMax
EM180 loudspeaker



Bose PowerSpace
P2600A
amplifier

Bose ControlSpace
EX-440C
processor**

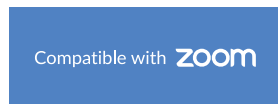
Products not to scale

THANK YOU FOR ATTENDING
TOUCHLESS AUDIO SOLUTIONS WEBINAR
Work better, together.

We hope you enjoyed learning more from Bose and Sennheiser about the future of touchless audio solutions in this joint webinar.

We're more than willing to support you with any projects or questions around the ES1 Ceiling Audio Solution. Any questions regarding this solution can be answered by either [Bose Professional](#), [Sennheiser](#), or your account manager.

For more information on the ES1 solution you can visit [PRO.BOSE.COM/SOLUTIONS](https://pro.bose.com/solutions).





BOSE



BOSE CEILING AUDIO SOLUTION Clear the table for better collaboration.

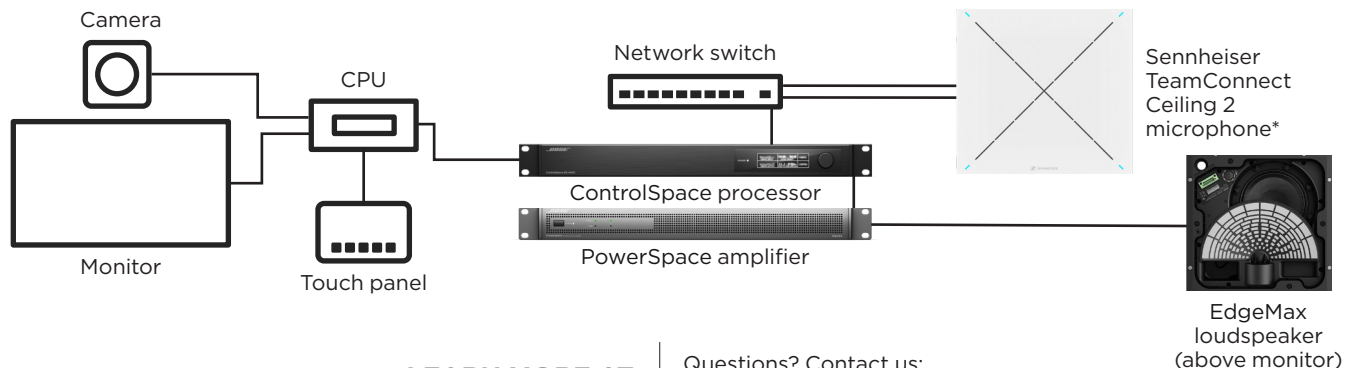
Beyond being fully integrated into the meeting room, the ES1 system stays completely out of the way. With fewer devices on walls and tabletops, meeting participants can stand, sit, or move around the room freely with the confidence that they'll hear and be heard.

Deliver an integrated conferencing solution, combining advanced Bose and Sennheiser technologies

Clean up the conferencing experience with fewer devices on walls or tabletops

Help remote participants feel more connected and engaged with intelligible audio and superior echo-cancelling technology

Deploy quickly with reference configurations that help reduce installation time and adaptive beamforming to ensure optimal coverage



LEARN MORE AT
PRO.BOSE.COM

Questions? Contact us:
Email: BOSE.PROFESSIONAL
Email: SENNHEISER

*Bose and Sennheiser products sold separately. Please contact your Bose or Sennheiser representative for more information.

**The Bose ControlSpace EX-1280C processor can be used instead of the EX-440C processor to create a conferencing solution that has more channels and is also Microsoft Team certified.

Bose, Bose Work, ControlSpace, EdgeMax, PowerSpace and PhaseGuide are trademarks of Bose Corporation. Dante® is a registered trademark of Audinate Pty Ltd.

Google Hangouts Meet is a trademark of Google LLC. Sennheiser is a registered trademark of Sennheiser electronic GmbH & Co. KG. Zoom is a trademark of Zoom Video Communications, Inc. All other trademarks are the property of their respective owners. Voice and unified communications services may vary by country. 02/2021