

# WALL-S1

TAKE CONTROL



BLAZE

# BLAZE

## PRODUCT DESCRIPTION

### Take Control of the sound in any room & any location

The Wall-S1 is a wall mounted networked / PoE controller for remote control of any Blaze Audio PowerZone Connect amplifier. It enables end user control of input source and volume, as well as many advanced features and settings that system installers can configure and customise to meet the needs of a specific location.

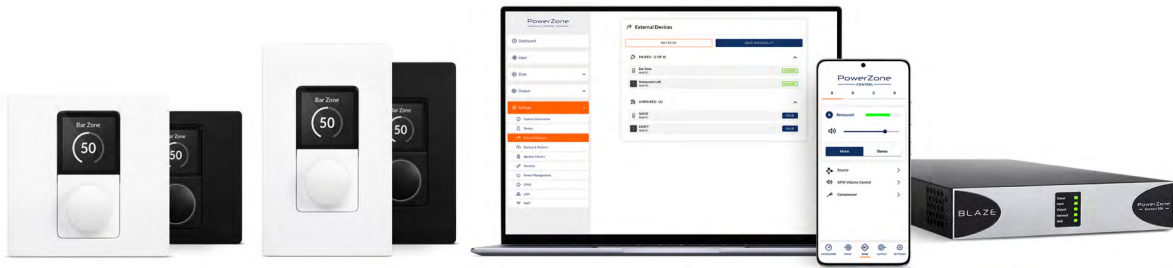
It is simple to set up, configure, and customize any installed system, and any sound zone.

With the possibility to pair up to 8 x Wall-S1 controllers per amplifier, and assign the devices to any of the configured audio zones, it means installers can easily configure projects with this simple solution.

With real-time syncing of devices on the same zone, PIN code protection for system security and access, and customisable colour screen and backlight – some of the advanced features that can be customised to ensure the perfect fit for each location.



# BLAZE



*The Wall-S1 gives you the freedom to control your system from every corner of the room  
— easily configured with any Blaze PowerZone Connect*

## KEY FEATURES

- **Connect up to 8x Wall-S1 controllers** per PowerZone Connect (DSP) amplifier, and configure exactly as you need in the amp's PowerZone Control web app.
- **Smart PoE technology** means straight-forward network pairing, change settings across the system and makes it simple to assign any of the sound zones.
- **The Wall-S1 has a clear and intuitive menu**, so setting-up and configuring the system is easy. But that also means it's easy to hand over to the venue and explain the usability.
- **Change source in a few clicks**, increase and decrease volume with the simple tactile button. There is a minimum/maximum setting so the volume can be customised and managed for each location.
- **Easy 4-digit PIN code protection** with access settings for a secure install. This code can be required for advanced menu settings, only to edit source & volume - or total settings lock.
- **With customisable settings for each controller** - you can change the colour of the on-screen menu, as well as the screen & control button backlight strength.
- **Real-time device syncing** with the system means any actions on one zone controller are instantly shown on the others, as well as reflected in the amplifiers PowerZone Control web app.
- **The minimal Danish design** means there are no exposed screws, while the matt surface is touch friendly. Available in industry standard White RAL9003, and Black RAL9005.

## POWERZONE CONTROL

With Blaze PowerZone Connect amplifiers and our Wall Controllers you can connect, configure, and control any audio system via the PowerZone Control web app, and create the most impressive multi-zone sound system in minutes.

PowerZone Control is web-based and runs on any device and any platform. It is set-up from your phone, tablet, or PC. Simply connect through any browser to the amplifier's built-in Wi-Fi, or direct via the network port.

PowerZone Control has a simple, intuitive interface that first allows access to the basic system set-up, and then

to the many advanced configuration and professional tuning settings. Add a speaker preset in seconds, or save and export your amplifier's customized set-up as a profile that you can restore, use on the next room, or a future project, making system configuration even faster for system integrators.

Then take control of the system with the Wall-S1 networked / PoE wall controller that is easily assigned, managed, and customized. We also have approved custom-made drivers for networking together with other smart controllers and automation systems.

# BLAZE

## DESIGN & CUSTOMISATION

Minimal Danish design with no exposed screws and fully customisable; with four different display colour schemes, four screen brightness settings, and four settings for the button light.



# BLAZE

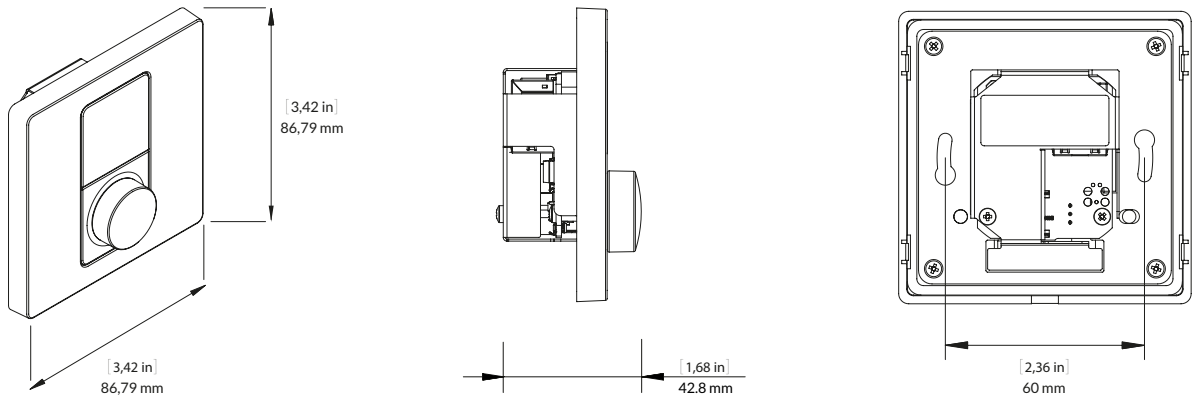
## TECHNICAL SPECIFICATIONS

Model	W-EU	B-EU	W-US	B-US
Amplifier Compatibility	BLAZE AUDIO - PowerZone Connect series			
Colour	White (RAL9003)	Black (RAL9005)	White (RAL9003)	Black (RAL9005)
External Dimensions (H x W)	86.79 x 86.79 mm (3.42 x 3.42 in)		115.1 x 70.6 mm (4.53 x 2.78 in)	
External Dimensions, Depth [From rear side of mounting plate to outer side of shield box]	23.7 mm (0.93 in)		23.1 mm (0.91 in)	
External Dimensions, Depth [From tip of rotary encoder dial to outer side of shield box]	42.8 mm (1.68 in)		42.8 mm (1.68 in)	
Mounting Holes, Distance (Center to Center)	60 mm (2.36 in)		83.5 mm (3.29 in)	
Weight	120g (4.2oz.)		120g (4.2oz.)	
Operating Temperature Range	0-40°C (32-104°F)			
Display Screen Dimension (excluding black border)	27.72 mm x 27.72 mm			
Display Screen Area (excluding black border)	768.4 sq mm			
Display Screen Resolution	240 x 240 pixels			
Display Screen Type	RGB, Transmissive / Normally Black			
Display Screen Material	High gloss polished transparent acrylic			
Exterior & Mechanical Parts Material	Plastic (ABS-PC)			
Base Construction & Shield Material	Pre-galvanized steel			
Power Consumption	PoE Class 1 / 3.84 W max			
Power Supply	Power to the RJ45 ethernet port on the rear of device using a category 5e cable (or faster STP) with the use of a standard PoE switch, or PoE injector			
Standby Modes	6 settings available: 30 secs, 2 mins, 5 mins, 15 mins, 30 mins, 60 mins			
Connection & Data Protocol	RJ45, Blaze Audio proprietary over CAT 5e (or faster STP)			
Maximum Cable Length (CAT 5e)	100m (328ft)			
IP Rating	IP 30			
Warranty Period	2 Years			

# BLAZE

## DIMENSIONS

### Wall-S1 EU



### Wall-S1 US

