

# AWP1000

## Mobile Vertical Lifts



	AWP 8-1000	AWP 10-1000	AWP 12-1000	AWP 14-1000
S.W.L	150kg	150kg	150kg	136kg
Max.Occupants	1	1	1	1
<b>H<sub>1</sub></b> Max.Working Height	8.00m	10.00m	12.00m	14.00m
<b>H<sub>2</sub></b> Max.Platform Height	6.00m	8.00m	10.00m	12.00m
<b>A</b> Overall Length(Stowed)	1.37m	1.37m	1.43m	1.46m
Overall Length(Tilted Back)	/	/	/	3.13m
<b>B</b> Overall Width	0.75m	0.75m	0.75m	0.75m
<b>H<sub>3</sub></b> Overall Height(Stowed)	1.97m	1.97m	1.97m	2.75m
Overall Height(Tilted Back)	/	/	/	1.98m
Outrigger Footprint( <b>L</b> / <b>W</b> )	1.75/1.55m	1.75/1.55m	1.75/1.55m	2.26/2.06m
Platform Size(Length/Width) <b>C</b>	0.69m × 0.66m	0.69m × 0.66m	0.69m × 0.66m	0.69m × 0.66m
Ground Clearance	0.05m	0.05m	0.05m	0.05m
Lifting Motor(AC)	110/230VAC/1.5kW	110/230VAC/1.5kW	110/230VAC/1.5kW	110/230VAC/1.5kW
Lifting Motor(DC)	12VDC/1.5kW	12VDC/1.5kW	12VDC/1.5kW	12VDC/1.5kW
Up/Down Speed	38/34sec	36/30sec	44/36sec	62/47sec
Batteries	12V/85Ah	12V/85Ah	12V/85Ah	12V/85Ah
Integrated Charger	12V/15A	12V/15A	12V/15A	12V/15A
Tyres(Back Wheels)	8in	8in	8in	8in
Tyres(Front Wheels)	5in	5in	5in	5in
Weight(AC)	328kg	376kg	394kg	492kg
Weight(DC)	358kg	406kg	424kg	522kg

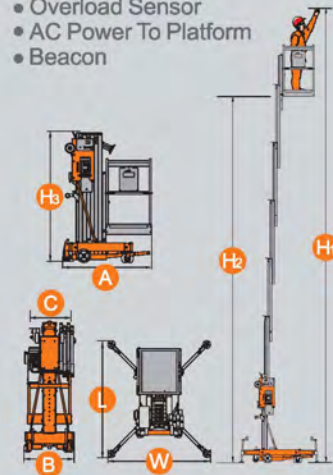


### Standard Equipment

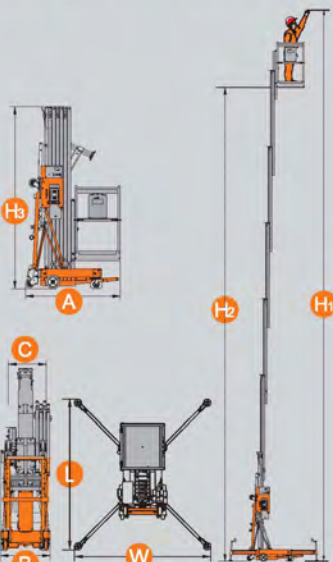
- Outriggers With Interlock
- Emergency Stop Button
- Easy Loading In Pickup Trucks
- Two Controllers Operation
- Emergency Lowering System
- Leveling Indicator
- Forklift Pockets
- Transport Tie Hole
- Tilt Back Frame(Only For AWP14-1000)
- Function With Deadman
- All Motion Alarm
- Cylinder Holding Valve

### Options

- Overload Sensor
- AC Power To Platform
- Beacon



AWP8-1000/AWP10-1000/AWP12-1000



AWP14-1000



Emergency Lowering System



Outriggers With Interlock



Ground Control With  
Outrigger LEDs



Adjustable Pickup Rail



Lockable Castor



Tilt Back Frame

