

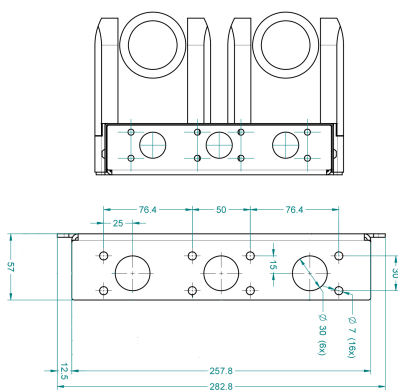
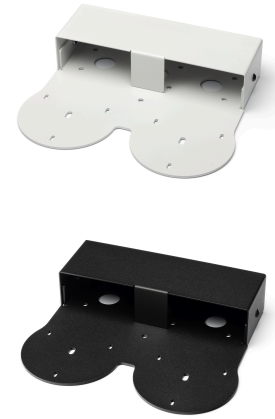
# MT220 Double Wall Mount

## Double Wall Mount for Avonic Cameras

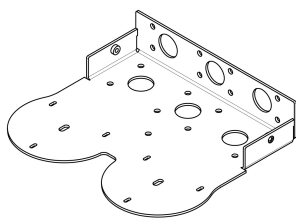
Wall mount for two CM40 or CM70 series PTZ cameras

The Avonic MT220 Double Wall Mount is a solid wall mount suitable for the support of two CM40 or CM70 series PTZ cameras. Its discrete design matches the silent operation of Avonic PTZ cameras.

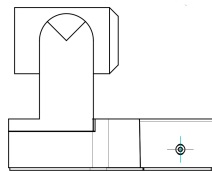
The double wall mount is a beautiful extension that not only ensures great and safe support of the PTZ cameras but also allows for all the cables to be hidden inside the mount. Accessories include a heavy-duty 30mm steel ring specifically designed to mount the MT-200 on a truss clamp. For mobile applications the MT220 can be mounted in a flight case or installed on a tripod. Available in black and white to match our PTZ cameras.



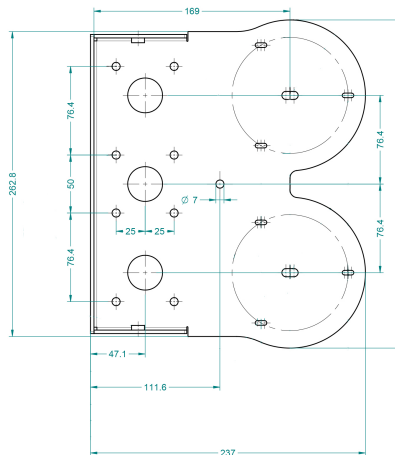
Rear view



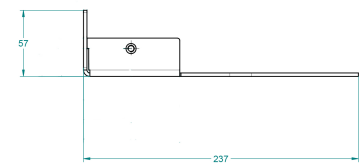
3D view



Side view



Top view



Top plate  
Side view

## Specifications

<b>Color</b>	Black, White	<b>Black</b>	AV-MT220-B
<b>Dimensions product</b>	2370 x 57 x 2628 mm	<b>White</b>	AV-MT220-W
<b>Weight</b>	2.1 kg		
<b>Included</b>	MT220 Double Wall Mount, 3x Black 30MM Cover Cap, 1x 30MM Steel Ring, 2x 1/4"- UNC Pozidrive screw to fasten camera, M6*10mm 2x Allen Bolt screw, M3*6mm 8x Pozidrive security screw		