

TECHNICAL DATA

MB210

compact subwoofer



Product Overview

Bose Professional MB210 compact subwoofers are designed for background/foreground music and small sound-reinforcement systems that require low-frequency extension down to 37 Hz. The MB210 subwoofer features two (2) 10-inch high-excursion woofers, derived from the award-winning Bose Professional F1 subwoofer, in a compact, Baltic-birch plywood enclosure optimized for fixed-installation applications. Featuring outstanding performance to size ratio, the MB210 is designed to complement Bose Professional loudspeaker lines, such as FreeSpace®, Panaray®, and Roomatch® Utility with additional bass impact.

Key Features

- **2 x 10" high-excursion woofers** – for high-output bass in a compact enclosure. Transducers derived from award-winning Bose F1 portable, powered subwoofer
- **500 W long-term power handling** – for high sound output and reliability
- **Low-frequency extension down to 37 Hz**
- **123 dB maximum continuous SPL, 129 dB peak SPL**
- **Baltic Birch plywood enclosure** – with compact size for installations
- **Polyurethane paint** – available in black or white, paintable
- **U-bracket included** – for easy mounting to walls or ceilings

Technical Specifications

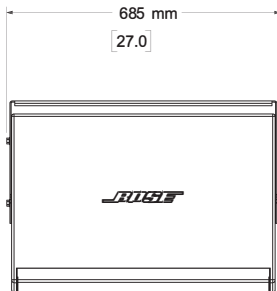
SINGLE MODULE PERFORMANCE				
Frequency Response (-3 dB) ⁽¹⁾	45 - 180 Hz			
Frequency Range (-10 dB)	37 - 270 Hz			
Recommended High-Pass Protection Filter	45 Hz with 24-dB / octave filter			
Nominal Coverage Pattern	Omnidirectional below 200 Hz			
Recommended Crossover	80 - 200 Hz (requires active crossover in DSP)			
	Bose extended-lifecycle test ⁽⁴⁾		AES transducer test ⁽⁵⁾	
	Free Field	Half-Space	Free-Field	Half-Space
Power Handling, long-term continuous	500 W	500 W	625 W	625 W
Power Handling, peak	2000 W	2000 W	2500 W	2500 W
Sensitivity (SPL/ 1W @ 1 m) ⁽²⁾	90 dB	96 dB	90 dB	96 dB
Calculated Maximum SPL @ 1 m ⁽³⁾	117 dB	123 dB	118 dB	124 dB
Calculated Maximum SPL @ 1 m, peak	123 dB	129 dB	124 dB	130 dB
TRANSDUCERS				
Low Frequency	2 x Bose 10-inch, high-excursion woofers			
Nominal Impedance	8 ohms			
PHYSICAL				
Enclosure Material	Baltic birch plywood			
Finish	Polyurethane coating, black or white			
Color Equivalents	Black: RAL 9005, White: RAL 9010			
Grille	Perforated steel, powder-coated finish, black or white, paintable			
Environmental	Indoor only			
Connectors	2x Neutrik® NL4 plus 4-pin Euro block, all wired parallel			
Suspension / Mounting	4x M8 on left and right sides for U-bracket attachment			
Dimensions (H x W x D)	291 mm x 659 mm x 450 mm (11.5" x 26" x 17.7")			
Net Weight	18.6 kg (41 lbs) / 21.8 kg (48 lbs) with U-bracket			
Shipping Weight	27.2 kg (59.96 lbs)			
Included accessories	U-bracket, 4x adhesive-mounted rubber ground-stack feet			

MB210 compact subwoofer

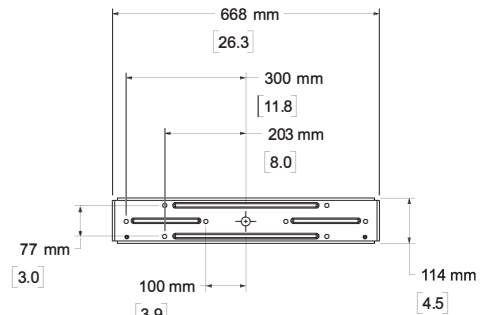
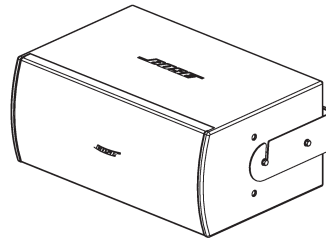
Input Connections



Dimensions



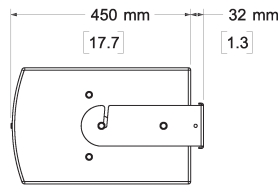
Top View



Rear View
BRACKET ONLY

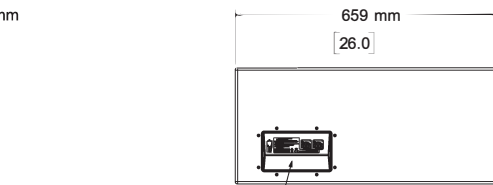


Front View



Right View

DIMENSIONS APPLY TO BOTH SIDES



INPUT PANEL 2X NL4 AND
4-PIN EURO BLOCK CONNECTOR

Rear View
BRACKET REMOVED

Footnotes

- (1) Frequency response and range measured on-axis with recommended EQ in indicated anechoic environment
- (2) Sensitivity with indicated boundary, 40 -300 Hz bandpass, referenced to 2.83V
- (3) Maximum SPL calculated from sensitivity and power handling specifications, exclusive of power compression
- (4) Bose extended-lifecycle test using pink noise filtered to meet IEC268-5, 6-dB crest factor, 500-hour duration
- (5) AES standard 2-hour duration with IEC system noise