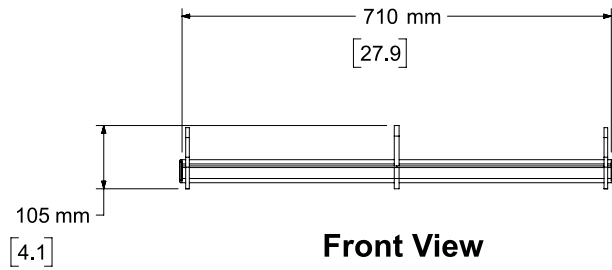
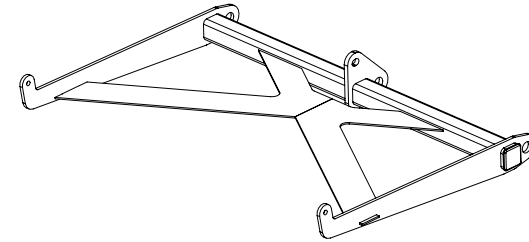
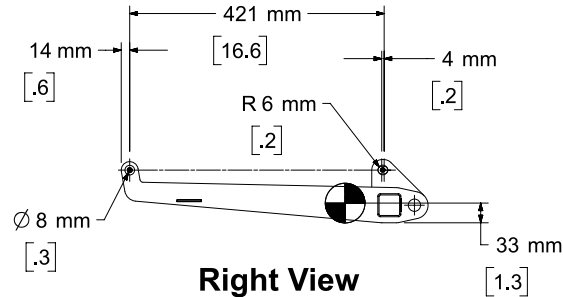


Top View

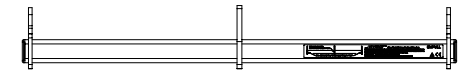


Front View

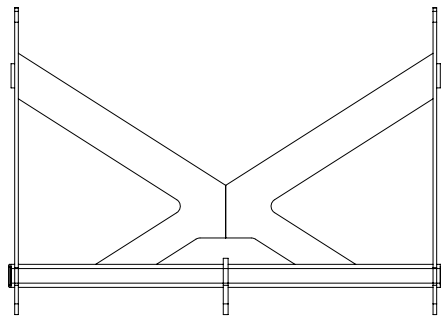


Right View

DIMENSIONS APPLY TO BOTH SIDES



Rear View



Bottom View

NOTES:

1. SYMBOL INDICATES CENTER OF GRAVITY
2. WEIGHT APPROX. 6.8 kg [15.0 lbs]
3. SYMBOL INDICATES RIGGING POINTS
4. DIMENSIONS ARE IN MILLIMETERS OVER INCHES

	<p>THIRD ANGLE PROJECTION</p>	<p>NOTICE</p> <p>© 2016 BOSE CORPORATION. THIS DRAWING MAY NOT BE COPIED, REPRODUCED, OR USED AS THE BASIS FOR MANUFACTURE OR SALE OF APPARATUS WITHOUT THE PRIOR WRITTEN AUTHORIZATION OF BOSE CORPORATION.</p>		
	<p>UNLESS OTHERWISE SPECIFIED INTERPRET THIS DRAWING PER ASME Y14.5M-1997</p>	<p>DO NOT SCALE DRAWING</p>	<p>DESCRIPTION</p> <p>SHOWMATCH PULLBACK BAR</p>	<p>CAGE CODE</p> <p>32108</p>
			<p>VERSION</p> <p>00.5</p>	