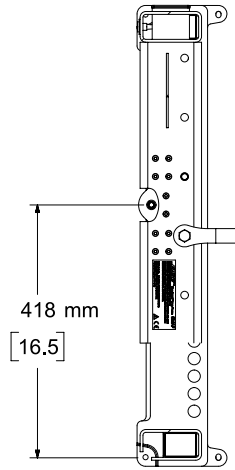
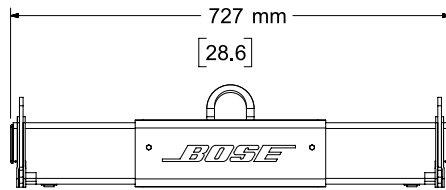
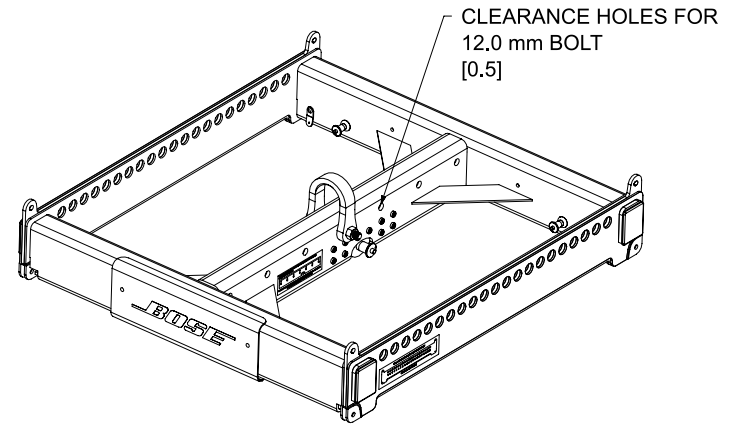


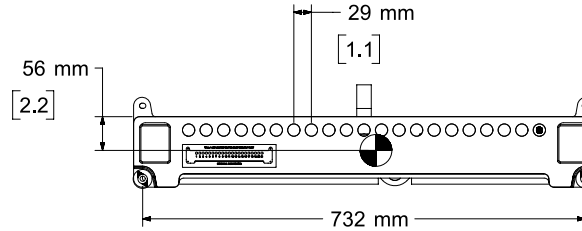
Top View



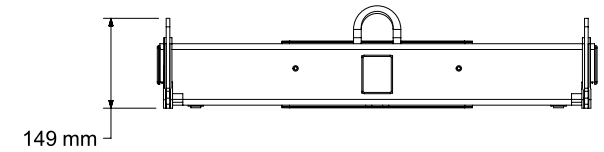
SECTION A-A



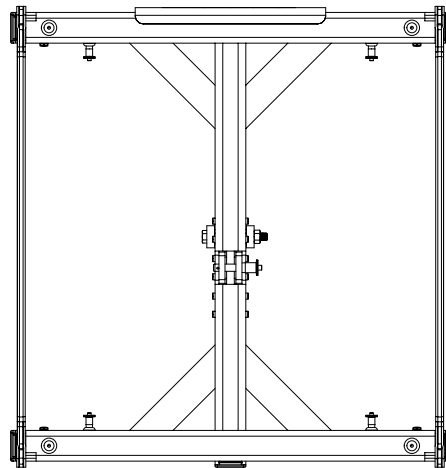
Front View



Right View
DIMENSIONS APPLY TO BOTH SIDES






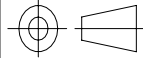

Rear View



Bottom View

NOTES:

1.  SYMBOL INDICATES CENTER OF GRAVITY
2. WEIGHT APPROX. 37.6 kg [83.0 lbs]
3.  SYMBOL INDICATES RIGGING POINTS 21X Ø20 mm [.8]
4.  SYMBOL INDICATES QUICK PIN CONNECTION FOR SM5, SM10, SM20 AND SMS118

 UNLESS OTHERWISE SPECIFIED INTERPRET THIS DRAWING PER ASME Y14.5M-1997	NOTICE © 2016 BOSE CORPORATION. THIS DRAWING MAY NOT BE COPIED, REPRODUCED, OR USED AS THE BASIS FOR MANUFACTURE OR SALE OF APPARATUS WITHOUT THE PRIOR WRITTEN AUTHORIZATION OF BOSE CORPORATION.		
	DO NOT SCALE DRAWING	DESCRIPTION SHOWMATCH ARRAY FRAME	CAGE CODE 32108
		VERSION 00.11	