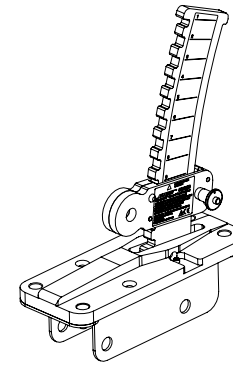
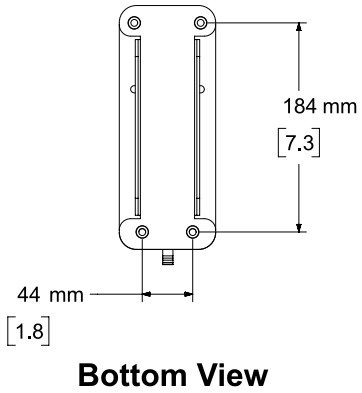


DIMENSIONS APPLY TO BOTH SIDES



- NOTES:**
1. WEIGHT APPROX. 3.0 kg [6.6 lbs]
 2. DIMENSIONS ARE IN MILLIMETERS OVER INCHES

	<p>THIRD ANGLE PROJECTION</p>	<p>NOTICE</p> <p>© 2016 BOSE CORPORATION. THIS DRAWING MAY NOT BE COPIED, REPRODUCED, OR USED AS THE BASIS FOR MANUFACTURE OR SALE OF APPARATUS WITHOUT THE PRIOR WRITTEN AUTHORIZATION OF BOSE CORPORATION.</p>		
	<p>UNLESS OTHERWISE SPECIFIED INTERPRET THIS DRAWING PER ASME Y14.5M-1997</p>	<p>DO NOT SCALE DRAWING</p>		
		<p>CAGE CODE</p> <p>32108</p>	<p>DOCUMENT NUMBER</p> <p>RF756491-MKTCADS_</p>	<p>VERSION</p> <p>00.5</p>