

CS-S3 3" Surface-mount Loudspeaker



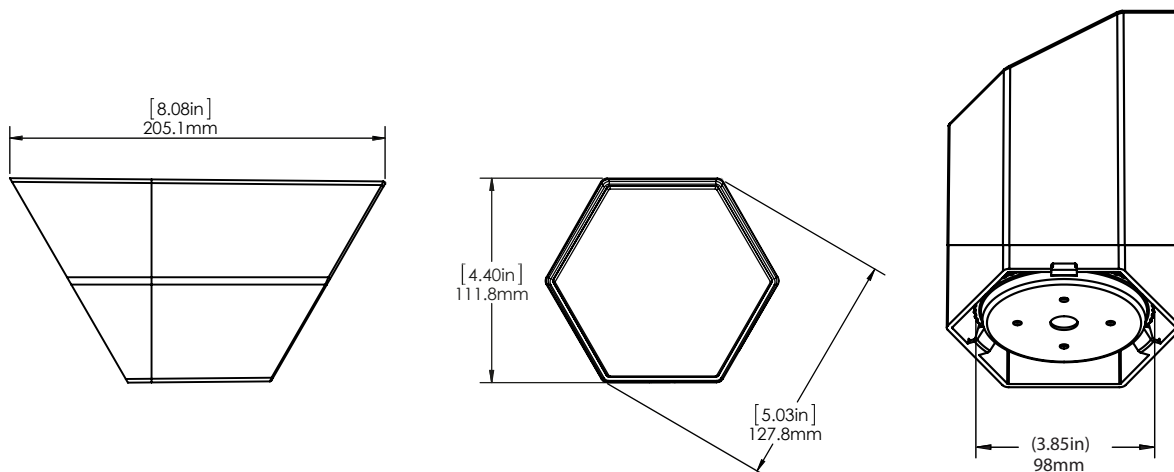
General Description

The Cloud CS-S3 is a 3 inch full range surface mount loudspeaker featuring exceptional intelligibility and musical performance. Using a premium woofer and crossover electronics, the CS-S3 offers clear intelligibility, smooth frequency response, and excellent off axis performance. The 3.0 inch woofer incorporates a large magnet structure, a polypropylene cone, and a butyl rubber surround for lasting, low distortion performance, and exceptional weather resistance. The included 16W transformer provides plenty of power for background music and voice messaging applications. The 16 ohm impedance allows for easy low impedance daisy chaining.

- Premium driver and electronics for exceptional sound quality and intelligibility
- Integrated high power transformer
- Integrated high power transformer with bypass
- 16 ohm for low impedance daisy chaining
- Striking architectural aesthetic
- Omnidirectional, tool free installation and aiming

The CS-S3 incorporates several innovative features that make it a truly remarkable speaker. The omnidirectional mounting system allows the installer to easily aim the speaker at any point within the space without any tools, and with no bulky brackets. The round surface mount bracket mounts easily to any surface with just two screws, and is completely hidden when the speaker is snapped on. The distinctive styling makes the speaker look intentional in all orientations. When coupled with the CS-CSUB8 or CS-SSUB8, the CS-C3 and CS-S3 offer a premium business music system with exceptional performance and aesthetics in a small package.

Speaker Dimensions



Applications

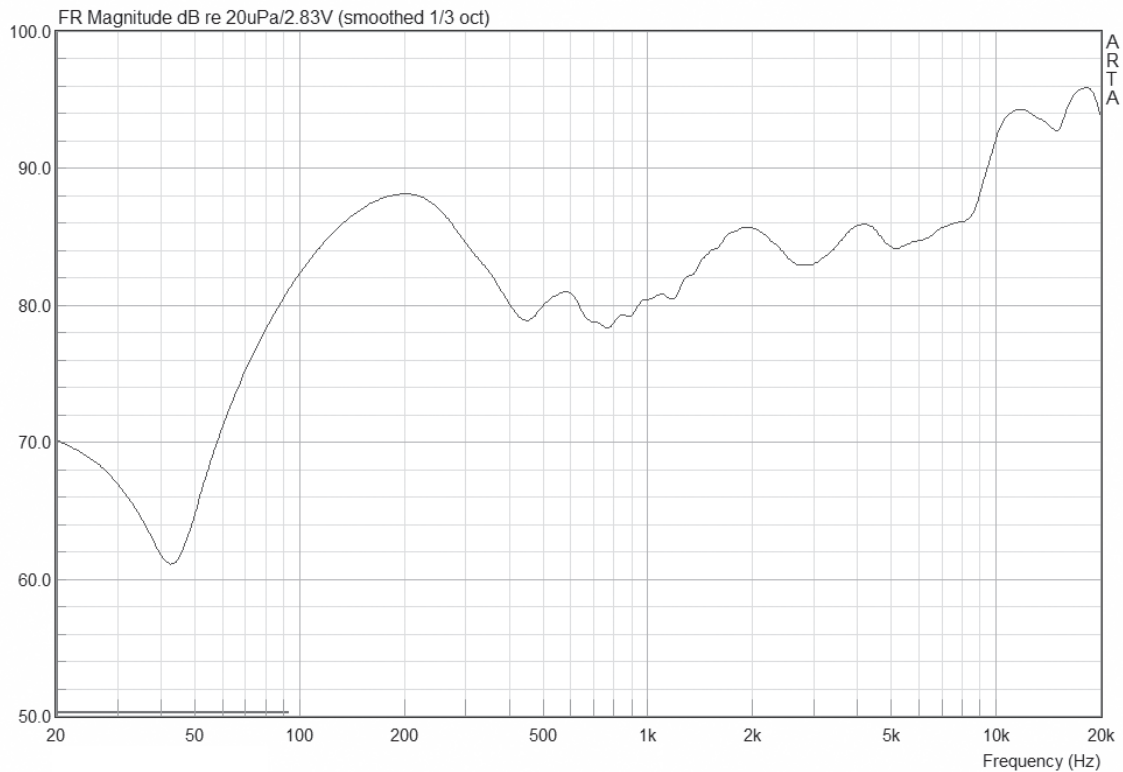
The CS-S3 was developed as a versatile background music and mid-SPL paging speaker. It offers superior acoustic performance, and premium design at an economic price point. It is ideally suited for use in restaurants, retail stores, airports, churches, board rooms, health care facilities, and hotels. The entire CS-S series shares the same acoustic signature, so installations with varying SPL requirements can seamlessly integrate multiple models from the line. The CS-S3 is a premium background and paging speaker that offers high end performance and design at an affordable price point.

Tap Settings

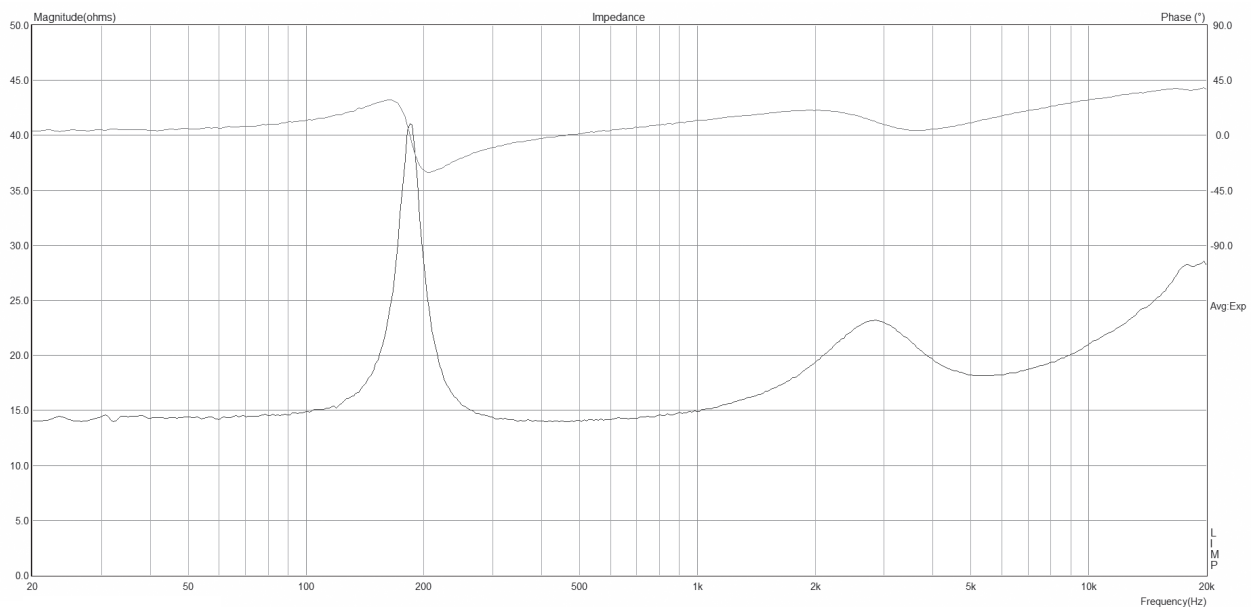
Tap	Tap Settings		
	100 V	70 V	25 V
1	16 ohm		
2	X	16 W	2 W
3	16 W	8 W	1 W
4	8 W	2 W	0.5 W
5	2 W	4 W	0.3 W
6	4 W	1 W	0.2 W

Graphs

Frequency Response



Impedance



Technical Specifications

Description	3" full range surface mount, tool-free omni bracket
Response (f3)	140 Hz -20 kHz
Response (f10)	90 Hz -20 kHz
Impedance	16 ohm
Sensitivity (2.83 V/1 m)	79 dB
Sensitivity (1 W/1 m)	82 dB
Power handling	16 W
Maximum SPL	94 dB
Average coverage angle (2 kHz -10 kHz)	90°
Transformer taps (100V)	16, 8, 4, 2, 1 W
Tweeter	N/A
Woofer	3.0" polypropylene with rubber surround and phase plug
Input	4 pin Euroblock
Acoustic Description	Musical, with high intelligibility. Prioritise perceived bass response over sensitivity.
Included accessories	Omni bracket, male Euroblock
Available colours	Black, white
Packaging	1 per box, cardboard inner packaging, single instruction sheet
Net weight/Gross weight	1.2 kg (2.65 lb) / 1.7 kg (3.75 lb)
Bracket mounting hole spacing	50.8 mm / 2 in
Conformance	UL I 480 / 2043 planned, RoHS, CE approved

Architect's and Engineer's Specification

The loudspeaker shall consist of one ABS enclosure containing one transducer, a frequency dividing network, a transformer, and acoustic damping material. It shall incorporate an integrated omnidirectional mounting system including a surface mount bracket. It shall include one aluminum grill affixed to the baffle.

The loudspeaker shall include one 76.2 mm (3.0 in) low-frequency transducer with a frequency shaping crossover network installed in a sealed enclosure. The low frequency voice coil diameter shall be 19.1 mm (0.75 in). The low frequency transducer shall have a polypropylene cone material with a rubber surround.

The loudspeaker shall include a 16w transformer with taps at 16 W, 8 W, 4 W, 2 W, and 1 W. Said taps shall be selected via an included tap switch located on the front baffle, under the magnetically removable grill. The transformer shall accept 25 V, 70.7 V, or 100 V. The tap switch shall also include a transformer bypass position, allowing for direct connection to the 16 ohm low impedance circuit.

Nominal performance specifications shall be as follows: The loudspeaker shall have a usable frequency range extending from 90 Hz - 20 kHz (-10 dB). The nominal impedance shall be 16 ohms, and the maximum continuous RMS power handling shall be at least 16 W according to the EIA-426-B standard. Sensitivity measured at 2.83 V / 1 m shall be 79 dB. The maximum output at 1 m shall be 94 dB.

Installation for the speaker shall be with round surface mount bracket and shall attach to the wall via at least 2 screws. The external wiring shall be via 4-position 5.08 mm Euroblock connector, accepting up to 10 gauge wire. The maximum overall height shall be no more than 111.5 mm (4.39 in) and the maximum depth shall be no more than 205 mm (8.07 in). The unit is factory preset to the 16-watt setting in the 100-volt operating mode, with a tap switch located on the front baffle.

The system shall be the Cloud CS-S3 for both low- and high- impedance applications.