



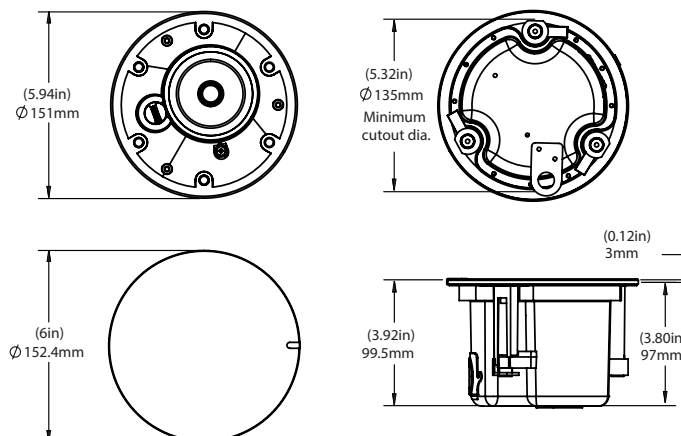
General Description

The Cloud CS-C3 is a 3 inch full range in-ceiling loudspeaker featuring exceptional intelligibility and musical performance. Using a premium woofer and crossover electronics, the CS-C3 offers clear intelligibility, smooth frequency response, and excellent off axis performance. The 3.0 inch woofer incorporates a large magnet structure, a polypropylene cone, and a butyl rubber surround for lasting, low distortion performance, and exceptional weather resistance. The included 16W transformer provides plenty of power for background music and voice messaging applications. The 16 ohm impedance allows for easy low impedance daisy chaining.

- Magnetic ZeroEdge™ grille with removable badge
- Premium driver and electronics for exceptional sound quality and intelligibility
- Weather resistant polypropylene woofer and sealed enclosure
- 97mm back can for shallow mount installations
- Integrated high power transformer
- 16 ohm impedance for low impedance daisy chaining

The CS-C3 incorporates several innovative features that make it a truly remarkable speaker. The ZeroEdge™ grille is magnetically attached for easy installation, and features a completely seamless transition from grille to ceiling. The 97 mm back can offers premium acoustics in a shallow mount profile, and the sealed enclosure keeps water and moisture from entering the enclosure. When coupled with the CS-CSUB8 or CS-SSUB8, the CS-C3 and CS-S3 offer a premium business music system with exceptional performance and aesthetics in a small package.

Loudspeaker Dimensions



Applications

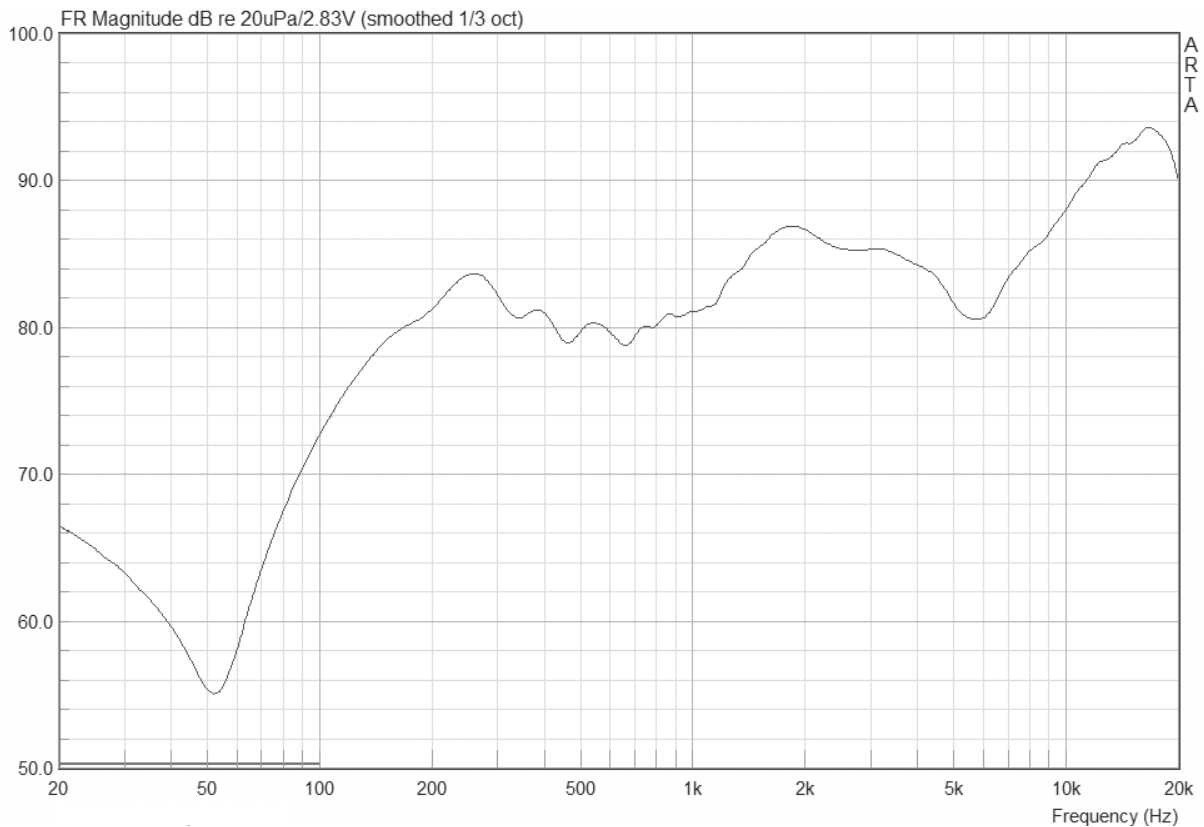
The CS-C3 was developed as a versatile background music and mid-SPL paging speaker. It offers superior acoustic performance, and premium design at an economical price point. It is ideally suited for use in restaurants, retail stores, airports, churches, board rooms, health care facilities, and hotels. The entire CS-C series shares the same acoustic signature, so installations with varying SPL requirements can seamlessly integrate multiple models from the line. The CS-C3 is a premium background and paging speaker that offers high end performance and design at an affordable price point.

Tap Settings

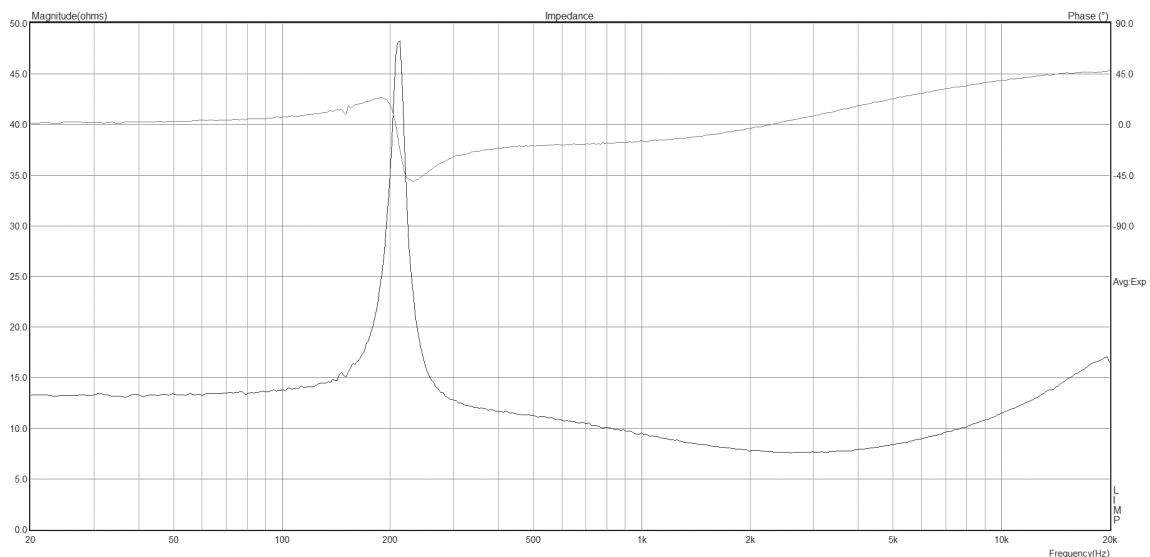
Tap	Tap Settings		
	100 V	70 V	25 V
1	16 ohm		
2	X	16 W	2 W
3	16 W	8 W	1 W
4	8 W	4 W	0.5 W
5	4 W	2 W	0.3 W
6	2 W	1 W	0.2 W

Graphs

Frequency Response



Impedance



Technical Specifications

Description	3" full range, shallow mount in-ceiling with round magnetic grille and steel back can.
Response (f3)	140 Hz -20 kHz
Response (f10)	90 Hz -20 kHz
Impedance	16 ohm
Sensitivity (2.83 V/1 m)	79 dB
Sensitivity (1 W/1 m)	82 dB
Power handling	16 W
Maximum SPL	94 dB
Average coverage angle (2 kHz - 10 kHz)	90°
Transformer taps	16,8, 4, 2, 1 W
Tweeter	N/A
Woofer	3.0" polypropylene with rubber surround and phase plug
Input	4 pin Euroblock
Included accessories	Input cover plate (installed), male Euroblock
Optional accessories	Square grille (153.5 mm x 153.5 mm, b/w), Hex grille (153.5 mm x 177.3 mm b/w)
Net weight/Gross weight	0.9 kg (1.98 lb) / 1.4 kg (3 lb)
Packaging	1 per box, cardboard inner packaging, single instruction sheet
Conformance	UL1480 / 2043 planned, RoHS, CE approved

Architect's and Engineer's Specification

The loudspeaker shall consist of one powder coated steel enclosure containing one transducers, a frequency shaping network, a transformer, and acoustic damping material. It shall incorporate an integrated clamping system including 3 dog ears. It shall include one removable steel grille affixed to the baffle via integrated magnets. The grille shall include a removable logo tab.

The loudspeaker shall include one 76.2 mm (3.0 in) low-frequency transducer with a frequency shaping crossover network installed in a sealed enclosure. The low frequency voice coil diameter shall be 19.1 mm (0.75 in). The low frequency transducer shall have a polypropylene cone material with a rubber surround.

The loudspeaker shall include a 16 W transformer with taps at 16 W, 8 W, 4 W, 2 W, and 1 W. Said taps shall be selected via an included tap switch located on the front baffle, under the magnetically removable grille. The transformer shall accept 25 V, 70.7 V, or 100 V. The tap switch shall also include a transformer bypass position, allowing for direction connection to the 16 ohm low impedance circuit.

Nominal performance specifications shall be as follows: The loudspeaker shall have a usable frequency range extending from 90 Hz - 20 kHz (-10 dB). The nominal impedance shall be 16 ohms, and the maximum continuous RMS power handling shall be at least 16 W according to the EIA-426-B standard. Sensitivity measured at 2.83 V / 1 m shall be 79 dB. The maximum output at 1 m shall be 94 dB.

Installation for the speaker shall be by 3 blind-mount constant-tension dog ear clips and shall attach to ceiling thicknesses ranging from 0.125 inches to 2 inches. The external wiring shall be via 4-position 5.08 mm Euroblock connector, accepting up to 10 gauge wire. The maximum overall height shall be no more than 103 mm (4.06 in) and the maximum diameter shall be no more than 153.5 mm (6.04 in). The maximum visible dimensions shall be no more than 3.9 mm (0.15 in) in height by 153.5 mm (6.04 in) in diameter. The back can shall have a maximum diameter of 130 mm (5.12 in), and shall fit within a cutout diameter of 140 mm (5.5 in). The unit is factory preset to the 16-watt setting in the 100-volt operating mode, with a tap switch located on the front baffle.

The system shall be the Cloud CS-C3 for both low- and high- impedance applications.