

# action 18A

Powered subwoofer system



- » **Direct radiator subwoofer**
- » **18" low frequency speaker**
- » **1500 W class D power amplifier**
- » **Variable low pass filter**
- » **Selectable polarity switch**
- » **Stereo input**

The Action 18A is a powered subwoofer system designed to provide extended bass response for the Action full-range cabinets. A 1500 W peak Class D amplifier drives a D.A.S. 18H bass loudspeaker. The 18H loudspeaker incorporates a 4" voice coil for high power handling and output.

A user selectable low pass filter ensures a smooth transition to top systems.

Configured with an Action 12A or Action 15A the result is a transportable, high performance sub-satellite system. The subwoofer system includes two balanced inputs with stereo 100 Hz filtered output connections for Action satellite systems. The high pass filter can be defeated to

offer stereo "loop thru" connections. A gain control and polarity reverse feature increase user control over the system.

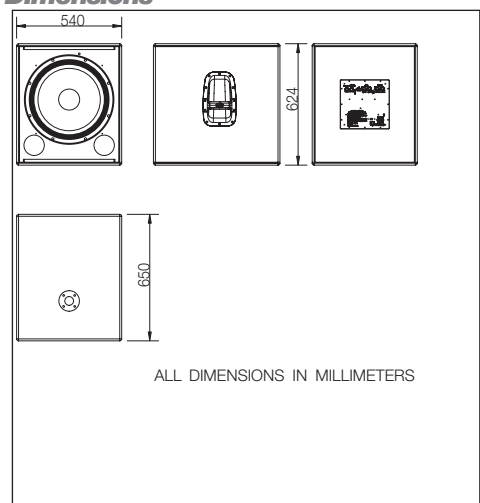
Signal present and limiter leds indicate the system status and assist in setting the optimum level, via the level control knob.

The top panel contains a pole mount socket for use with 35 mm metal posts for mounting fullrange D.A.S. systems above the Action 18A sub-woofer unit.

### Technical Specifications

<b>Power Amplifier<sup>1</sup></b>	1500 W <sub>peak</sub> - 750 W <sub>continuous</sub>
<b>Input Type</b>	Balanced Differential Line
<b>Input Impedance</b>	Line: 20 kohms
<b>Sensitivity<sup>2</sup></b>	Line: 1.95 V (+8 dBu)
<b>On-axis Frequency Range (-10 dB)</b>	35 Hz -160 Hz (variable LPF)
<b>Maximum Peak SPL at 1 meter</b>	133 dB
<b>Enclosure Material</b>	Birch Plywood
<b>Finish</b>	Black Paint
<b>Transducers/Replacement Parts</b>	18H / GM 18G
<b>Connectors</b>	INPUT: 2 x Female XLR LOOP THRU: 2 x Male XLR AC INPUT: Male IEC
<b>AC Power Requirements</b>	115 V, 3 A, 50 Hz/60 Hz 230 V, 1.5 A, 50 Hz/60 Hz
<b>Dimensions (H x W x D)</b>	62.4 x 54 x 65 cm 24.6 x 21.3 x 25.6 in
<b>Weight</b>	36.5 kg (80.3 lb)
<b>Accessories (optional)</b>	TRD-6

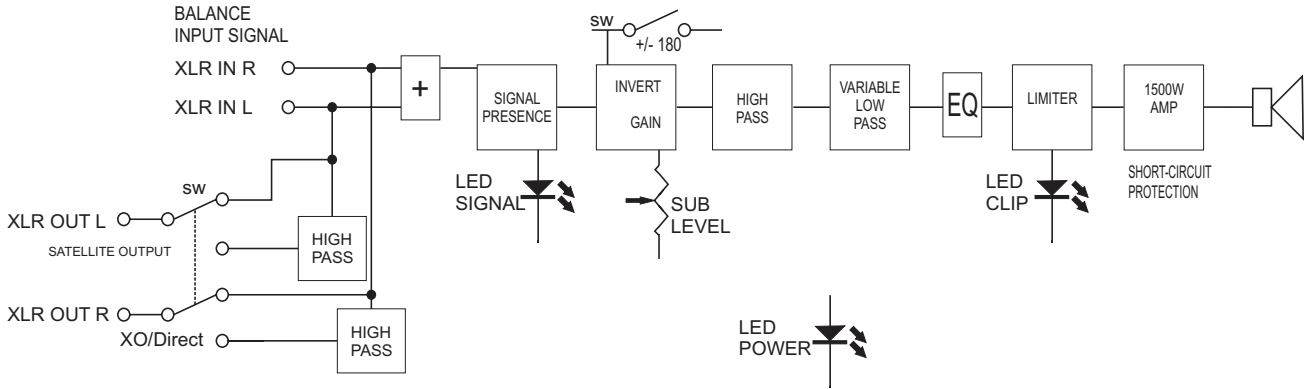
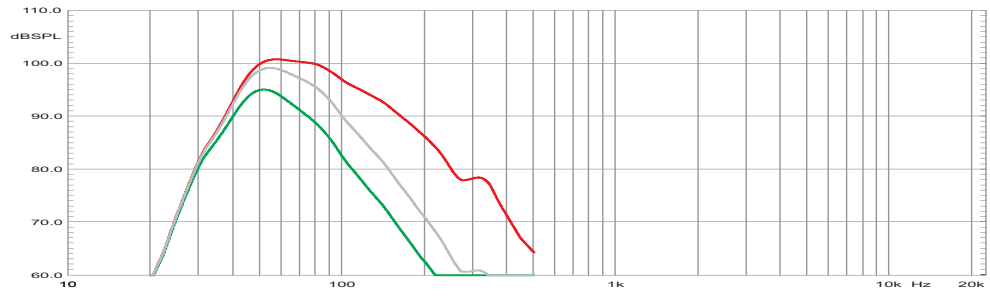
### Dimensions



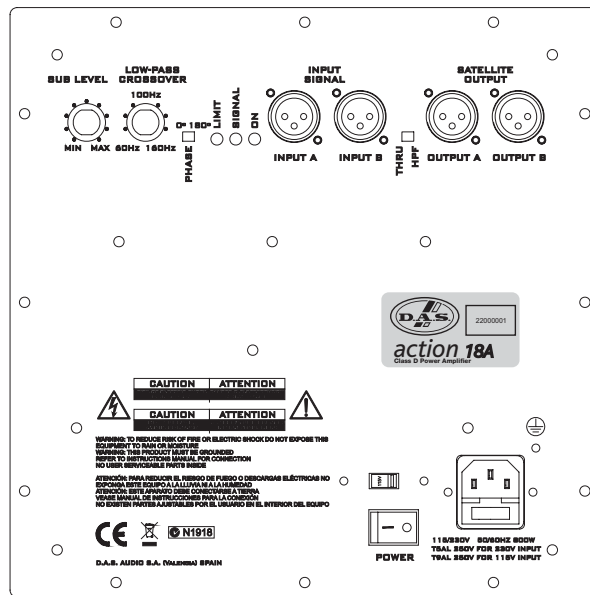
1. Continuous power at driver impedance.  
2. Level control at maximum.

**Frequency Response**

Shows the frequency response at 1 m of a unit radiating to an anechoic environment and driven by a swept sine wave signal (-20 dBu input). Red: LPF 160 Hz. Grey: LPF 100 Hz. Green: LPF 60 Hz.



**Action 18A block diagram**



**Action 18A input panel**

NOTES. 1.Frequency response: referred to 1 m; low end obtained through the use of near field techniques; one-third octave smoothed for correlation with human hearing.

Product improvement through research and development is a continuous process at D.A.S. Audio. All specifications subject to change without notice.