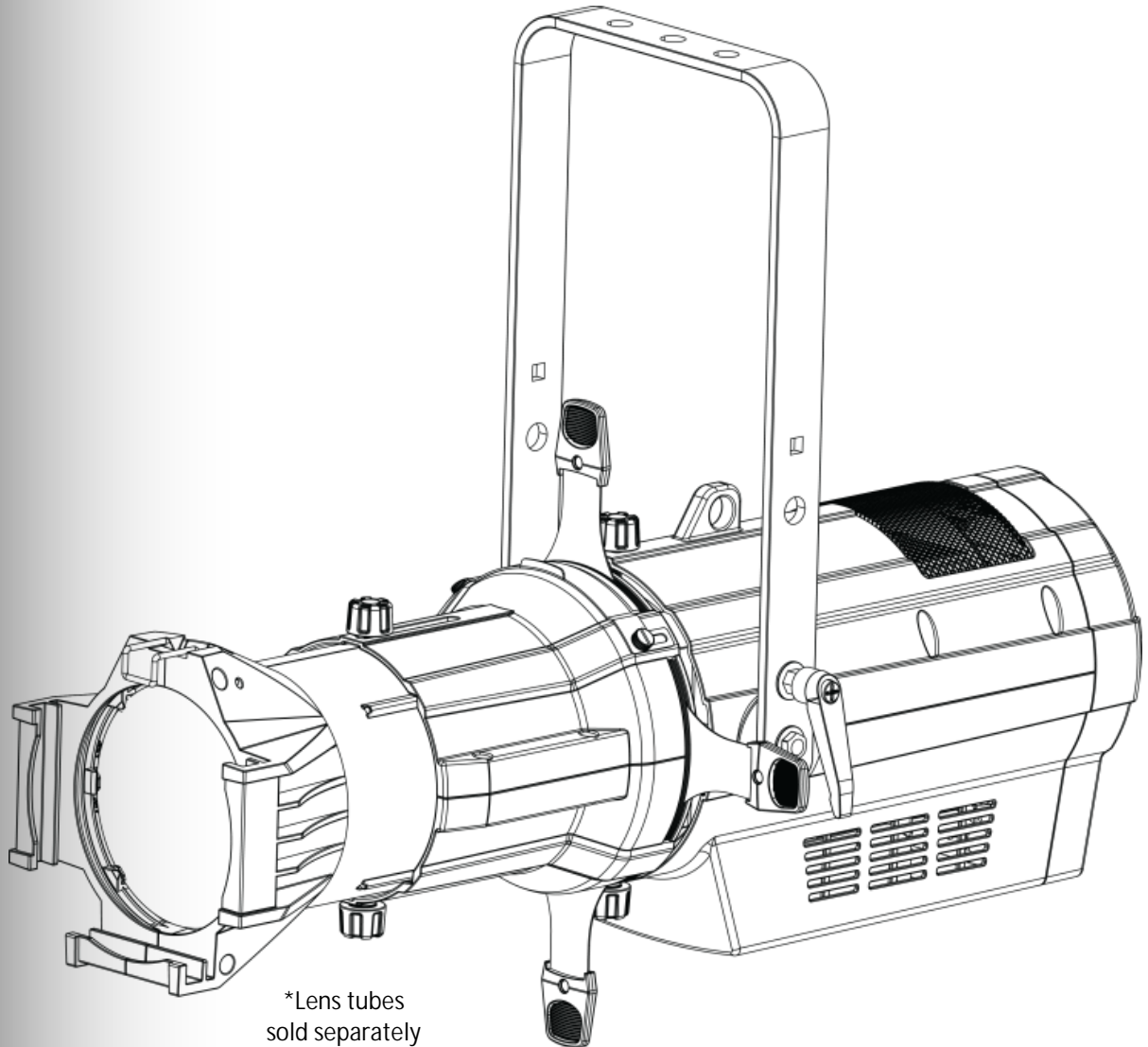


# Ovation

## E-910FC

### User Manual



\*Lens tubes  
sold separately



**CHAUVET**  
PROFESSIONAL

**Edition Notes** The Ovation E-910FC User Manual Rev. 2 includes a description, safety precautions, and installation, programming, operation, and maintenance instructions for the Ovation E-910FC as of the release date of this edition in March 2016.

**Trademarks** CHAUVET, the Chauvet logo and Ovation E-910FC are registered trademarks or trademarks of Chauvet & Sons Inc. (d/b/a Chauvet and Chauvet Lighting) in the United States and other countries. Other company and product names and logos referred to herein may be trademarks of their respective companies.

**Copyright Notice** The works of authorship contained in this manual, including, but not limited to, all design, text and images are owned by Chauvet.

© **Copyright 2016 Chauvet & Sons, Inc. All rights reserved.**

Electronically published by Chauvet in the United States of America.

**Manual Use** Chauvet authorizes its customers to download and print this manual for professional information purposes only. Chauvet expressly prohibits the usage, copy, storage, distribution, modification, or printing of this manual or its content for any other purpose without written consent from Chauvet.

**Document Printing** For better results, print this document in color, on letter size paper (8.5 x 11 in), double-sided. If using A4 paper (210 x 297 mm), configure your printer to scale the content accordingly.

**Intended Audience** Any person in charge of installing, operating, and/or maintaining this product should completely read through the guide that shipped with the product, as well as this manual, before installing, operating, or maintaining this product.

**Disclaimer** Chauvet believes that the information contained in this manual is accurate in all respects. However, Chauvet assumes no responsibility and specifically disclaims any and all liability to any party for any loss, damage or disruption caused by any errors or omissions in this document, whether such errors or omissions result from negligence, accident or any other cause. Chauvet reserves the right to revise the content of this document without any obligation to notify any person or company of such revision, however, Chauvet has no obligation to make, and does not commit to make, any such revisions..

**Document Revision** The Ovation E-910FC User Manual Rev. 2 supersedes all previous versions of this manual. Discard any older versions of this manual and replace with this version. Go to [www.chauvetprofessional.com](http://www.chauvetprofessional.com) for the latest version.

# Table of Contents

<b>1. Before You Begin .....</b>	<b>1</b>
What Is Included .....	1
Claims .....	1
Manual Conventions .....	1
Symbols .....	1
Safety Notes .....	2
Personal Safety.....	2
Mounting And Rigging.....	2
Power And Wiring .....	2
Operation .....	2
Expected LED Lifespan .....	2
<b>2. Introduction .....</b>	<b>3</b>
Description .....	3
Features.....	3
Overview .....	4
Dimensions .....	5
<b>3. Setup .....</b>	<b>6</b>
AC Power .....	6
AC Plug.....	6
Power Linking.....	6
Fuse Replacement.....	6
DMX Linking.....	7
DMX Personalities.....	7
Remote Device Management (RDM) .....	7
Master/Slave Connectivity.....	7
Mounting .....	8
Orientation .....	8
Rigging.....	8
Procedure .....	8
Manual Beam Focus Control.....	9
Rotating the Barrel Assembly.....	9
Accessory Slot .....	9
<b>4. Operation .....</b>	<b>10</b>
Control Panel Description .....	10
Control Options .....	10
Programming.....	10
Menu Map .....	10
Menu Map (Cont.).....	11
Menu Map (Cont.).....	12

Configuration (Standalone).....	13
Auto Programs .....	13
Master/Slave .....	13
Virtual Color Wheel .....	13
Color Temperature .....	13
Manual Color Mixer .....	13
Focus Mode .....	13
Dimmer Profiles.....	14
White Calibration.....	14
LED Frequency .....	14
Fan Mode.....	14
Back Light .....	14
Run Time .....	14
Software Information.....	14
RDM.....	14
Configuration (DMX) .....	15
DMX Personalities.....	15
DMX Control.....	15
DMX Values .....	16
DMX Values (Cont.).....	17
DMX Values (Cont.).....	18
DMX Values (Cont.).....	19
DMX Values (Cont.).....	20
DMX Values (Cont.).....	21
<b>5. Technical Information .....</b>	<b>22</b>
Product Maintenance.....	22
Cleaning the Light Engine Lens .....	22
<b>6. Technical Specifications.....</b>	<b>23</b>
Returns .....	24
<b>Contact Us.....</b>	<b>25</b>

# 1. Before You Begin




- What Is Included**
- Ovation E-910FC
  - Neutrik powerCON power cord
  - Warranty Card
  - Quick Reference Guide

**Claims** Carefully unpack the product immediately and check the box to make sure all the parts are in the package and are in good condition. If the box or the contents (the product and included accessories) appear damaged from shipping or show signs of mishandling, notify the carrier immediately, not Chauvet. Failure to report damage to the carrier immediately may invalidate your claim. In addition, keep the box and contents for inspection. For other issues, such as missing components or parts, damage not related to shipping, or concealed damage, file a claim with Chauvet within 7 days of delivery.

**Manual Conventions**

Convention	Meaning
1–512	A range of values in the text
50/60	A set of mutually exclusive values in the text
<SET>	A button on the product’s control panel
Settings	A product function or a menu option
MENU>Settings	A sequence of menu options
1–10	A range of menu values from which to choose in a menu
Yes/No	A set of two mutually exclusive menu options in a menu
ON	A unique value to be entered or selected in a menu

**Symbols**

Symbols	Meaning
	Critical installation, configuration, or operation information. Failure to comply with this information may cause the product not to work, damage third-party equipment, or cause harm to the operator.
	Important installation or configuration information. Failure to comply with this information may keep the product from working.
	Useful information.



The term “DMX” used throughout this manual refers to the USITT DMX512-A digital data transmission protocol.

### Safety Notes

Read all the following Safety Notes before working with this product. These notes include important information about the installation, usage, and maintenance of this product.



**This product contains no user-serviceable parts. Any reference to servicing in this User Manual will only apply to properly trained Chauvet certified technicians. Do not open the housing or attempt any repairs.**



**All applicable local codes and regulations apply to proper installation of this product.**

### Personal Safety

- Avoid direct eye exposure to the light source while the product is on.
- Always disconnect this product from its power source before servicing.
- Always connect this product to a grounded circuit to avoid the risk of electrocution.
- Do not touch this product's housing during operation because it may be very hot.

### Mounting And Rigging

- This product is for indoor use only! To prevent risk of fire or shock, do not expose this product to rain or moisture. (IP20)
- CAUTION: When transferring product from extreme temperature environments, (e.g. cold truck to warm humid ballroom) condensation may form on the internal electronics of the product. To avoid causing a failure, allow product to fully acclimate to the surrounding environment before connecting it to power.
- Mount this product in a location with adequate ventilation, at least 20 in (50 cm) from adjacent surfaces.
- Make sure there are no flammable materials close to this product while it is operating.
- When hanging this product, always secure to a fastening device using a safety cable.

### Power And Wiring

- Always make sure you are connecting this product to the proper voltage in accordance with the specifications in this manual or on the product's specification label.
- To eliminate unnecessary wear and improve its lifespan, during periods of non-use completely disconnect the product from power via breaker or by unplugging it.
- Never connect this product to a dimmer pack or rheostat.
- Never disconnect this product by pulling or tugging on the power cable.

### Operation

- Do not operate this product if you see damage on the housing, lenses, or cables. Have the damaged parts replaced by an authorized technician at once.
- Do not cover the ventilation slots when operating to avoid internal overheating.
- The maximum ambient temperature is 113 °F (45 °C). Do not operate this product at a higher temperature.
- In case of a serious operating problem, stop using this product immediately!



**In the unlikely event that your Chauvet product requires service, contact Chauvet Technical Support.**

### Expected LED Lifespan

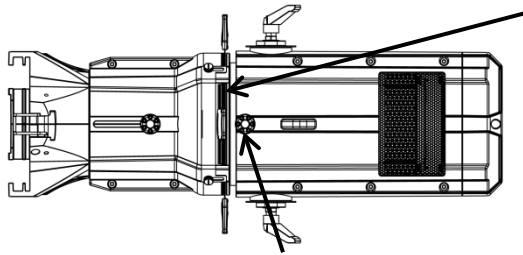
LEDs gradually decline in brightness over time, mostly because of heat. Packaged in clusters, LEDs exhibit higher operating temperatures than in ideal, single-LED conditions. For this reason, using clustered LEDs at their fullest intensity significantly reduces the LEDs' lifespan. Under normal conditions, this lifespan can be 40,000 to 50,000 hours. If extending this lifespan is vital, lower the operating temperature by improving the ventilation around the product and reducing the ambient temperature to an optimal operating range. In addition, limiting the overall projection intensity may also help to extend the LEDs' lifespan.

## 2. Introduction

**Description** The Ovation E-910FC is a high-power full color LED (RGBAL) ERS-style product. It features full RGBA-Lime color mixing with modes providing full 16-bit dimming (per color and master), selectable PWM, RDM, and on-board dimming curve selection. The Virtual Color Wheel matches popular gel colors comparable to those projected by a tungsten source. Additionally we have added color temperature presets from 2800 to 6500 K that match a tungsten source to perfection.

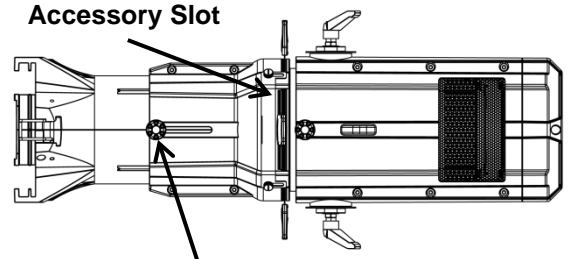
- Features**
- 5, 7, 10, 12, 13 or 15-channel Full Color LED (RGBAL) ERS-style product
  - Operating modes:
    - 5-channel: RGBAL control
    - 7-channel: RGBAL control, dimmer, strobe
    - 10-channel: RGBAL control, 16-bit dimmer, strobe, virtual color wheel, color temperature
    - 12-channel: RGBAL control, dimmer, strobe, virtual color wheel, color temperature, auto programs, auto speed, dimmer mode
    - 13-channel: 16-bit RGBAL and dimmer, strobe
    - 15-channel: 16-bit RGBAL and dimmer, strobe, virtual color wheel, color temperature
  - Built-in auto and custom programs recalled via DMX and Master/Slave
  - Full Color LED (RGBAL) ERS-style lighting product for theatre, film and production
  - Ultra smooth 16-bit dimming of master dimmer and individual colors
  - Flat, even field of light with superior color mixing
  - Virtual Color wheel with color matched to popular Rosco Gel colors
  - Color Temperature Presets from 2800 K to 6500 K with high CRI & CQS
  - RDM (Remote Device Management) for added flexibility
  - Adjustable PWM (Pulse Width Modulation) to avoid flickering on camera
  - Virtually silent operation for use in studio and theatre applications
  - Works perfectly with industry standard lens tubes and accessories

## Overview



Barrel Rotation Knobs

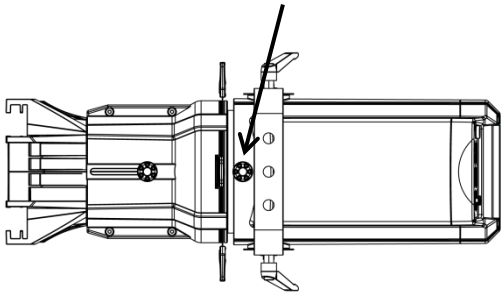
**Pattern Holder**  
(A-size holder for 3-in patterns B-size holder for 2.5-in and 2.75-in patterns, sold separately)



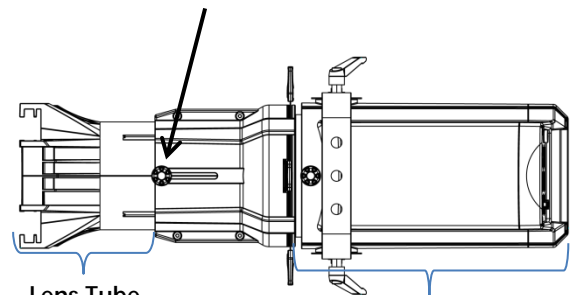
Accessory Slot

Beam Focus Knobs

Top View

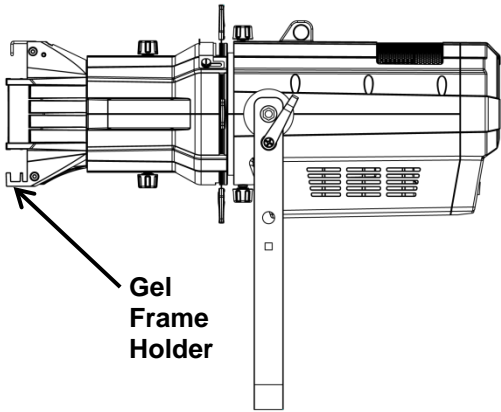


Bottom View

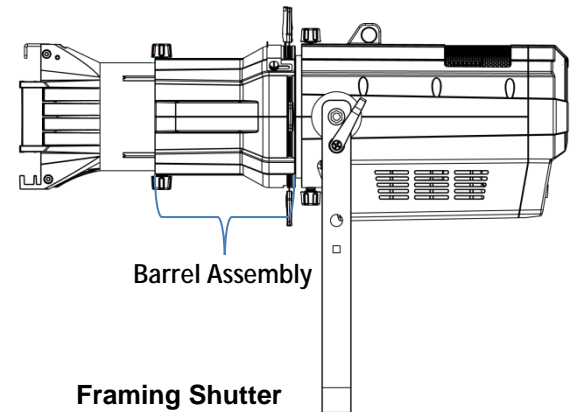


Lens Tube  
(sold separately)

Light Engine

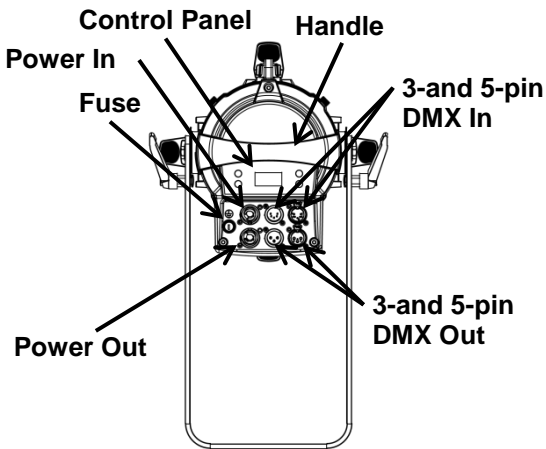


Gel Frame Holder



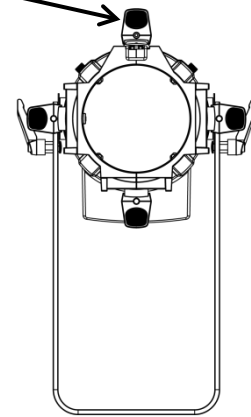
Barrel Assembly

Side View



Rear View

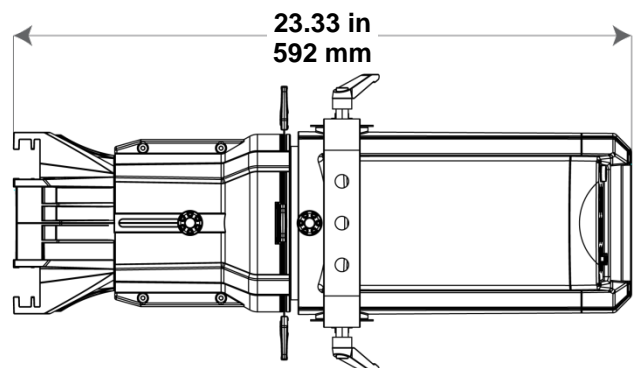
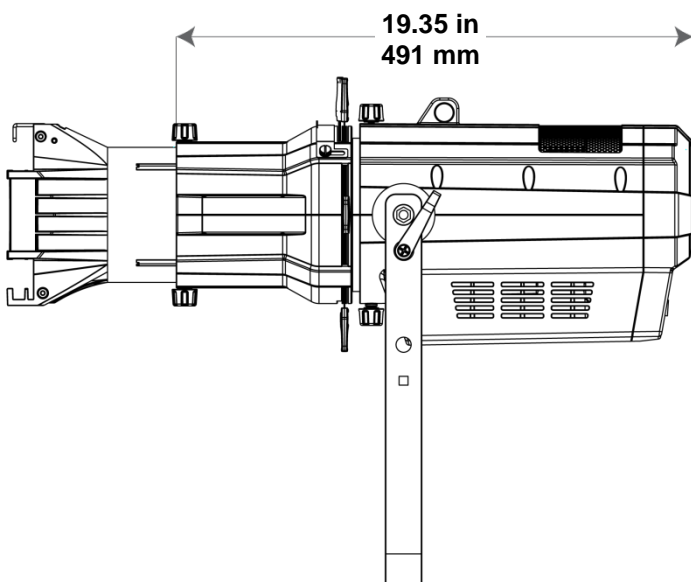
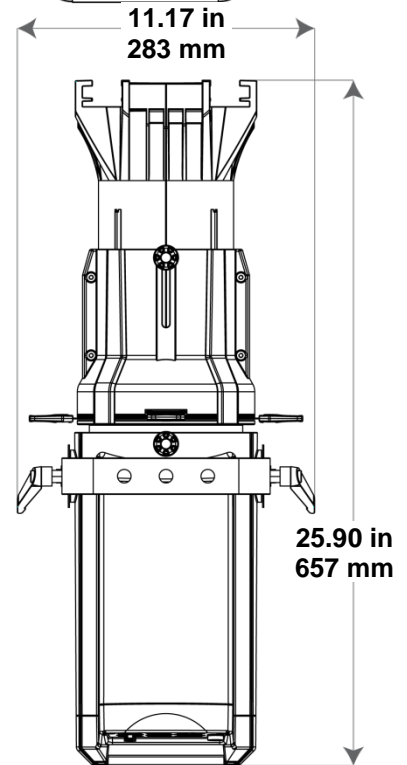
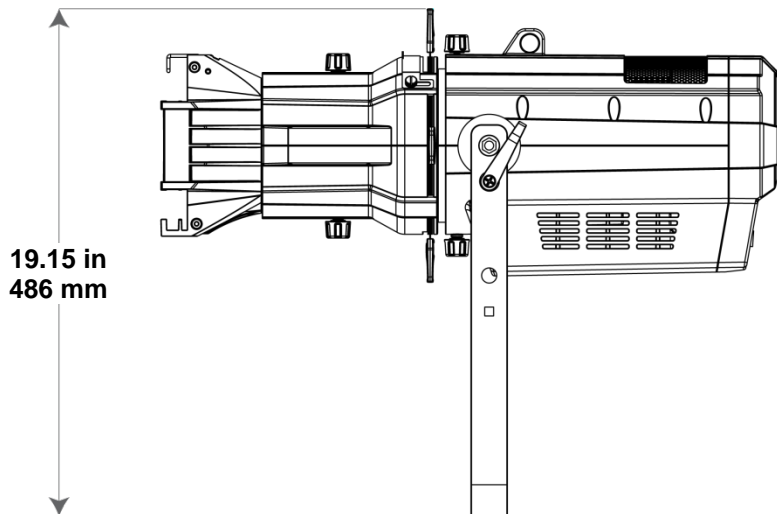
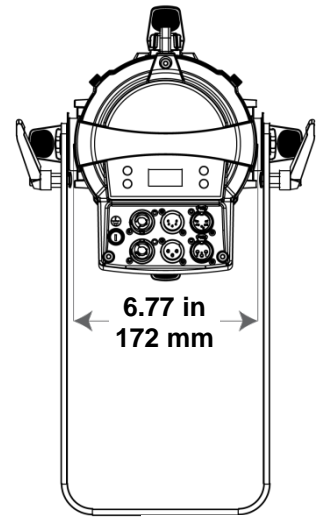
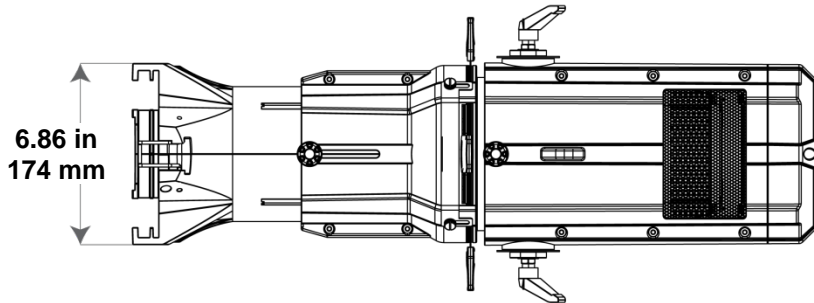
Framing Shutter  
(x4)



Front View



### Dimensions



## 3. Setup

### AC Power

Each Ovation E-910FC has an auto-ranging power supply that works with an input voltage range of 100 to 240 VAC, 50/60 Hz. To determine the power requirements for each Ovation E-910FC, refer to the label affixed to the product. You can also refer to the [Technical Specifications](#) chart in this manual.

The listed current rating indicates the maximum current draw during normal operation. For more information, you may download Sizing Circuit Breakers from the Chauvet website: [www.chauvetprofessional.com](http://www.chauvetprofessional.com).



- **Always connect this product to a protected circuit with an appropriate electrical ground to avoid the risk of electrocution or fire.**
- **To eliminate unnecessary wear and improve its lifespan, during periods of non-use completely disconnect the product from power via breaker or by unplugging it.**



**Never connect this product to a rheostat (variable resistor) or dimmer circuit, even if the rheostat or dimmer channel serves only as a 0 to 100% switch.**

### AC Plug

The Ovation E-910FC comes with a power input cord terminated with a Neutrik powerCON A connector on one end and an Edison plug on the other end (U.S. market). If the power input cord that came with your product has no plug, or if you need to change the Edison plug, use the table below to wire the new plug.

Connection	Wire (U.S.)	Wire (Europe)	Screw Color
AC Live	Black	Brown	Yellow or Brass
AC Neutral	White	Blue	Silver
AC Ground	Green/Yellow	Green/Yellow	Green

### Power Linking

The Ovation E-910FC supports power linking. You can power link up to 6 products at 120 V; up to 11 at 208 V; or up to 12 at 230 V.

This product comes with a power input cord. Power linking cables are available from Chauvet for purchase.

### Fuse Replacement

1. Disconnect this product from the power outlet.
2. Using a Phillips-head screwdriver, unscrew the fuse holder cap from the housing.
3. Remove the blown fuse and replace with another fuse of the same type and rating (T 3.15 A, 250 V).
4. Screw the fuse holder cap back in place and reconnect power.



**Make sure to disconnect the product's power cord before replacing a blown fuse. Always replace the blown fuse with another of the same type and rating.**

**DMX Linking** You can link the Ovation E-910FC to a DMX controller using a 3- or 5-pin DMX connection. If using other DMX-compatible products with the Ovation E-910FC, you can control each individually with a single DMX controller.

**DMX Personalities** The Ovation E-910FC uses a 3- or 5-pin DMX data connection for the 5, 7, 10, 12, 13, and 15-channel DMX personalities.

- Refer to the [Introduction](#) chapter for a brief description of each DMX personality.
- Refer to the [Operation](#) chapter to learn how to configure the Ovation E-910FC to work in these personalities.
- The [DMX Values](#) section provides you with detailed information regarding the DMX personalities.



- **If you are not familiar with or need more information about DMX standards, Master/Slave connectivity, or the DMX cables needed to link this product to a DMX controller, download the DMX Primer from the Chauvet website: [www.chauvetprofessional.com](http://www.chauvetprofessional.com).**

- **For optimum control of the 16-bit dimming channels in the 10Ch, 13Ch, and 15Ch personalities, be sure that the dimming curves in Dimmer Mode are set to Off.**

**Remote Device Management (RDM)** Remote Device Management, or RDM, is a standard for allowing DMX-enabled devices to communicate bi-directionally along existing DMX cabling. Check the DMX controller's User Manual or with the manufacturer as not all DMX controllers have this capability. The Ovation E-910FC supports RDM protocol that allows feedback to make changes to menu map options.

**Master/Slave Connectivity** The Master/Slave mode allows a Ovation E-910FC (the master) to control one or more Ovation E-910FCs (the slaves) without a DMX controller. One Ovation E-910FC becomes the master when running an auto or custom program, or by being in a Static mode.

You must configure each slave's control panel to operate in Slave mode. During Master/Slave operation, the slaves will operate in unison with the master.



**DO NOT connect a DMX controller to products operating in Master/Slave mode. The DMX controller signals may interfere with the signals from the master.**



- The [Operation](#) section of this manual provides detailed instructions on how to configure the master and slaves.
- **If you are not familiar with or need more information about DMX standards, or the DMX cables needed to link this product to a DMX controller, download the DMX Primer from the Chauvet website: [www.chauvetprofessional.com](http://www.chauvetprofessional.com).**

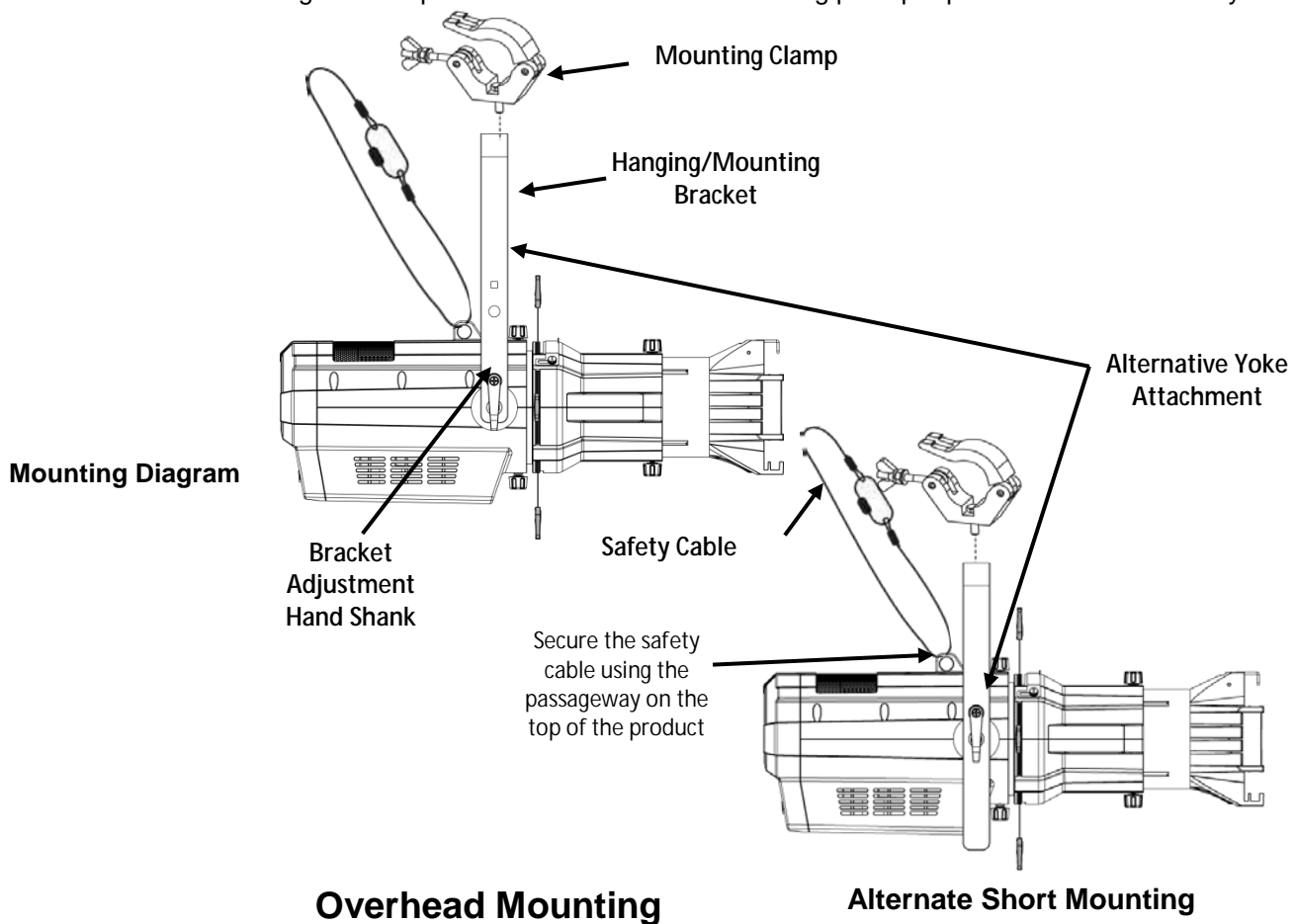
**Mounting** Before mounting this product, read and follow the [Safety Notes](#). For our CHAUVET Professional line of mounting clamps, go to <http://trusst.com/products/>.

**Orientation** Always mount this product in a safe position and make sure there is adequate room for ventilation, configuration, and maintenance.

**Rigging** Chauvet recommends using the following general guidelines when mounting this product.

- When selecting an installation location, consider easy access to this product for operation, programming adjustments, and routine maintenance.
- Make sure to mount this product away from any flammable material as indicated in the [Safety Notes](#).
- Never mount in places where rain, high humidity, extreme temperature changes, or restricted ventilation may affect the product.
- If hanging this product, make sure that the mounting location can support the product's weight. See the [Technical Specifications](#) for the weight-bearing requirements of this product.
- When hanging this product, always secure to a fastening device using a safety cable. For our CHAUVET Professional line of safety cables, go to <http://trusst.com/products/>.

**Procedure** The Ovation E-910FC comes with a hanging/mounting bracket to which you can attach mounting clamps. The bracket has 13-mm holes, which are appropriate for this purpose. You must supply your own mounting clamps, so be sure the clamps are capable of supporting the weight of this product. Use at least one mounting point per product where necessary.



**Manual Beam Focus Control** The Ovation E-910FC has a manual focus, which is adjusted as follows.

1. Locate the beam focus knobs at the top and bottom of the barrel assembly.
2. Loosen the knobs by turning them counter-clockwise.
3. Slide the lens tube forward or backward until you achieve the desired focus or beam edge.
4. Tighten the knobs by turning them clockwise, which lock the lens tube's position.



**To avoid changing menu settings while focusing the Ovation E-910FC, press and hold the <ENTER> button for 3 seconds. This will put the product in "Focus Mode" by increasing the intensity to 100%. To exit out of focus mode, press <MENU>.**

**Rotating the Barrel Assembly** The Ovation E-910FC allows manual rotation of the barrel assembly, as follows.

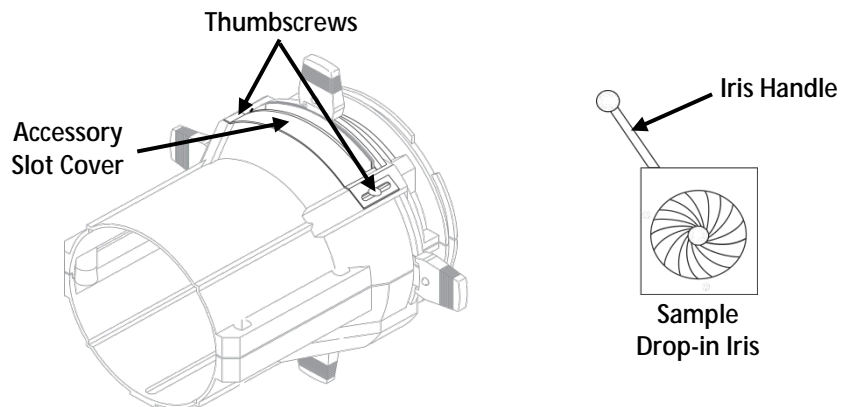
1. Locate the barrel rotation knobs at the top and bottom of the light engine.
2. Loosen the knobs by turning them counter-clockwise.
  - **Note:** Do not remove the knobs.
3. Rotate the barrel to the desired position, up to 25° in either direction from the centered position.
4. Tighten the knobs by turning them clockwise, which lock the barrel's position.



**Make sure the barrel assembly is oriented with the pattern holder and Accessory slots at the top of the product.**

**Accessory Slot** The Ovation E-910FC has an accessory slot, which holds a drop-in iris, a motorized pattern device, or various other optional accessories (sold separately).

1. Loosen the thumbscrews on the slot cover.
  - **Note:** Do not remove the thumbscrews.
2. Slide to cover forward.
3. Insert an accessory.
  - **Note:** Make sure to insert the accessory correctly. For example, make sure the iris handle extends upward from the slot.
4. Slide the cover back. Make sure any handles or adjustment tools that stick out the top are able to function correctly.
5. Tighten the thumbscrews to secure the cover.



- **When not using the accessory slot, replace and secure the slot cover to prevent light leakage during operation.**
- **When obtaining any optional accessories, be sure the items are compatible with the Ovation E-910FC.**

## 4. Operation

Control Panel Description	Button	Function
	<MENU>	Exits from the current menu or function
	<ENTER>	Enables the currently displayed menu or sets the currently selected value in to the current function
	<UP>	Navigates upward through the menu list or increases the numeric value when in a function
	<DOWN>	Navigates downward through the menu list or decreases the numeric value when in a function

**Control Options** Set the Ovation E-910FC starting address in the **001–512** DMX range. This enables control of up to 34 products in the 15-channel **15Ch** personality.

**Programming** Refer to the [Menu Map](#) to understand the menu options. The menu map shows the main level and a variable number of programming levels for each option.

- To go to the desired main level, press <MENU> repeatedly until the option shows on the display. Press <ENTER> to select. This will take you to the first programming level for that option.
- To select an option or value within the current programming level, press <UP> or <DOWN> until the option shows on the display. Press <ENTER> to select. In this case, if there is another programming level, you will either see that first option, or you will see the selected value.
- Press <MENU> repeatedly to exit to the previous main level.

### Menu Map

Main Level	Programming Levels		Description
DMX Address	<001–512>		Selects DMX address (highest channel restricted to personality chosen)
DMX Channel	5Ch		5-channel: RGBAL control
	7Ch		7-channel: RGBAL control, dimmer, strobe
	10Ch		10-channel: RGBAL control, 16-bit dimmer, strobe, virtual color wheel, color temperature
	12Ch		12-channel: RGBAL control, dimmer, strobe, virtual color wheel, color temperature, auto programs, auto speed, dimmer mode
	13Ch		13-channel: 16-bit RGBAL and dimmer, strobe
Virtual Color Wheel	Virtual Color Wheel	R4590-Cal90 Yellow	Virtual Color Wheel simulates the output of each gel color from Rosco. Refer to the <a href="#">Virtual Color Wheel Chart</a> section for specific values.
		R11-Light Straw	
		R312-Canary	
		R03-Dark BAmer	
		R18-Flame	
		R20-Medium Amber	

## Menu Map (Cont.)

Main Level	Programming Levels		Description
Virtual Color Wheel (cont.)	Virtual Color Wheel (cont.)	R21-Golden Amber	Virtual Color Wheel simulates the output of each gel color from Rosco. Refer to the <a href="#">Virtual Color Wheel Chart</a> section for specific values.
		R26-Light Red	
		R27-Medium Red	
		R33-NoColor Pink	
		R337-True Pink	
		R38-Light Rose	
		R41-Salmon	
		R42-Deep Salmon	
		R44-Middle Rose	
		R349-Fisher Fuchsia	
		R54-Special Lavender	
		R64-Light Steel Blue	
		R364-Blue Bell	
		R65-Daylight Blue	
		R80-Primary Blue	
		R81-Urban Blue	
		R82-Surprise Blue	
		R382-Congo Blue	
		R83-Medium Blue	
		R383-Sapphire Blue	
R90-Dk Yellow Green			
R91-Primary Green			
R92-Turquoise			
R93-Blue Green			
R393-Emerald Green			
Color Temperature	Color Temperature	2800K	Preset white color temperatures. Emulates a tungsten lamp at the specified color temperature. Refer to the <a href="#">Preset Color Temperature Chart</a> section for specific values.
		3200K	
		3500K	
		4000K	
		4500K	
		5000K	
		5600K	
		6000K	
		6500K	
Manual Color Mixer	Red	<0–255>	Combine red, green, blue, amber, and lime to make a custom color (0–100%)
	Green		
	Blue		
	Amber		
	Lime		

## Menu Map (Cont.)

Main Level	Programming Levels		Description	
Auto Show	Auto 1	<1-100>	Selects automatic programs and auto program speed	
	Auto 2			
	Auto 3			
	Auto 4			
	Auto 5			
Master/Slave	Master		DMX mode (Master)	
	Slave		Slave mode	
Dimmer Mode	Off		No dimmer	
	Dimmer 1-3		Dimming curves <b>Dimmer 1</b> (fast) to <b>Dimmer 3</b> (slow)	
White Balance	Off		Uses factory default white setting	
	Manual	Red	<125-255>	
		Green		Sets green LED maximum value
		Blue		Sets blue LED maximum value
LED Frequency	600Hz		Selects the PWM output frequency	
	1200Hz			
	2000Hz			
	4000Hz			
	25KHz			
Fan Mode	Auto		Sets the fan to auto mode	
	On		Sets the fan to always on	
Back Light	On		Display backlight always on	
	10S		Turns off display backlight after 10 sec of inactivity	
	20S		Turns off display backlight after 20 sec of inactivity	
	30S		Turns off display backlight after 30 sec of inactivity	
Information	Fixture Hours	<_ _ _ H>	Shows total product hours	
	Version	<V _ _>	Shows installed software version	
	UID:	-----	Shows product UID	



**Configuration (Standalone)** Use standalone configuration to operate the product without a DMX controller.

**Auto Programs** Auto programs allow for dynamic RGBAL color mixing without a DMX controller.

1. Go to the **Auto Show** main level.
2. Select the desired auto (**Auto 1–5**)
3. Select the desired auto program speed (**1–100**)



**You cannot edit any of the auto programs (Auto 1–5).**

**Master/Slave** The Master/Slave mode allows a group of Ovation E-910FCs (the slaves) to simultaneously duplicate the output of another Ovation E-910FC (the master) without a DMX controller.

1. Set each of the slaves:
  - a. Go to the **Master/Slave** main level.
  - b. Select **Slave**.
2. Set the master:
  - a. Go to the **Master/Slave** main level.
  - b. Select **Master**.



- **The master is the one that runs a program whether in Auto, Virtual Color Wheel, Color Temperature, or Manual Color Mixer modes.**
- **Do not connect a DMX controller to the products configured for Master/Slave operation. The DMX controller may interfere with signals from the master.**
- **The master should be the first product in the daisy chain.**

**Virtual Color Wheel** The Ovation E-910FC offers over thirty pre-mixed colors based on Rosco gel colors. To select a Rosco gel color, do the following.

1. Go to the **Virtual Color Wheel** main level.
2. Select **Virtual Color Wheel**.
3. Select the desired Rosco color (**R4590, R11, R312, R03, R18, R20, R21, R26, R27, R33, R337, R38, R41, R42, R44, R349, R54, R64, R364, R65, R80, R81, R82, R382, R83, R383, R90, R91, R92, R93, or R393**).

See the [Color Chart](#) section for details on specific values.

**Color Temperature** The Color Temperature mode offer preset white color temperatures that emulate a tungsten lamp at the specified color temperature.

1. Go to the **Virtual Color Wheel** main level.
2. Select **Color Temperature**.
3. Select the desired color temperature (**2800K, 3200K, 3500K, 4000K, 4500K, 5000K, 5600K, 6000K, or 6500K**).

See the [Color Chart](#) section for details on specific values.

**Manual Color Mixer** The Manual Color Mixer mode allows for permanent RGBAL color mixing without a DMX controller.

1. Go to the **Virtual Color Wheel** main level.
2. Select **Manual Color Mixer**.
3. Select the desired color (**Red, Green, Blue, Amber, or Lime**).
4. Select the color value (**000–255**).
5. Repeat for the other colors.

**Focus Mode** Focus mode allows for focusing of the Ovation E-910FC without changing any menu settings.

1. Press and hold **<ENTER>** for 3 seconds. The intensity will increase to 100%.
2. Press **<MENU>** to exit to previous settings.

**Dimmer Profiles** This setting determines how fast the output of the Ovation E-910FC changes when you modify the values of the red, green, blue, amber, lime, and dimmer faders. This setting provides four different options to simulate the dimming curve of an incandescent lighting product.

1. Go to the **Dimmer Mode** main level.
2. Select a dimmer curve (**Off**, **Dimmer 1**, **Dimmer 2**, or **Dimmer 3**).



**Off:** The output is proportional (linear) to the dimmer and RGBAL channel values.

**Dimmer 1–3:** The output follows the dimmer and RGBAL channel values based on the corresponding dimmer curve, **Dimmer 1** being the fastest and **Dimmer 3** the slowest.



**For optimum control of the 16-bit dimming channels in the 10Ch, 13Ch, and 15Ch personalities, be sure that the dimming curves in Dimmer Mode are set to Off.**

**White Calibration** This setting selects the white color shown by the Ovation E-910FC when the the DMX controller's red, green, and blue faders are set to **255**.

1. Go to the **White Balance** main level.
2. Go to **Manual** to set the color values or **Off** to set the faders to linear.
3. Select a color (**Red**, **Green**, or **Blue**).
4. Select a color value (**125–255**).
5. Repeat for the other colors.

**LED Frequency** This option changes the Pulse Width Modulation (PWM) frequency of the LEDs on the Ovation E-910FC.

6. Go to the **LED Frequency** main level.
7. Choose an output frequency. (**600Hz**, **1200Hz**, **2000Hz**, **4000Hz**, or **25KHz**)

**Fan Mode** This option toggles the fan speed from being always on and auto control based on the products temperature.

1. Go to the **Fan Mode** main level.
2. Select a fan mode (**Auto**, or **On**).

**Back Light** This setting allows you to set the amount of time the backlight on the Ovation E-910FC's display stays on after the last button is pressed on the control panel.

1. Go to the **BackLite** main level.
2. Select **On** (remains on), **10S** (10 seconds), **20S** (20 seconds), or **30S** (seconds).

**Run Time** This option show how many total hours the product has been on.

1. Go to the **Information** main level.
2. Select **Fixture Hours** and the amount of hours will show on the screen.

**Software Information** This option shows what version of software the Ovation E-910FC is running.

1. Go to the **Information** main level.
2. Select **Version** and the version number will show on the screen.

**RDM** This option shows the product's **UID #**. The UID # is used when using the RDM functionality of this product.

1. Go to the **Information** main level.
2. Select **UID:** and the number will show on the screen.

## Configuration (DMX)

Use DMX configurations to operate the product with a DMX controller.

### DMX Personalities

This setting allows you to choose a particular DMX personality.

1. Go to the **DMX Channel** main level.
  2. Select the desired personality (**5Ch**, **7Ch**, **10Ch**, **12Ch**, **13Ch**, or **15Ch**).
- See the [DMX Values](#) section for the highest starting address you can select for each personality.
  - Make sure that the starting addresses on the various products do not overlap due to the new personality setting.



### DMX Control

In this mode, each product will respond to a unique starting address from the DMX controller. All products with the same starting address will respond in unison.

1. Select a DMX personality as shown in [DMX Personalities](#).
2. Set the running mode:
  - a. Go to the **Master/Slave** main level.
  - b. Select the **Master** programming level.
3. Set the starting address:
  - a. Go to **DMX Address** main level.
  - b. Select the starting address (**001–512**).

The highest recommended starting address for each DMX mode is as follows:



DMX Personality	DMX Address	DMX Personality	DMX Address	DMX Personality	DMX Address
<b>5Ch</b>	508	<b>10Ch</b>	503	<b>13Ch</b>	500
<b>7Ch</b>	506	<b>12Ch</b>	501	<b>15Ch</b>	498

## DMX Values

15Ch	Channel	Function	Value	Percent/Setting
	1	Dimmer	000ó 255	0–100%
	2	Dimmer Fine	000ó 255	0–100%
	3	Red	000ó 255	0–100%
	4	Red Fine	000ó 255	0–100%
	5	Green	000ó 255	0–100%
	6	Green Fine	000ó 255	0–100%
	7	Blue	000ó 255	0–100%
	8	Blue Fine	000ó 255	0–100%
	9	Amber	000ó 255	0–100%
	10	Amber Fine	000ó 255	0–100%
	11	Lime	000ó 255	0–100%
	12	Lime Fine	000ó 255	0–100%
	13	Strobe	000ó 010 011ó 255	No function Strobe, slow to fast
	14	Virtual Color Wheel	000ó 005 006ó 013 014ó 021 022ó 028 029ó 035 036ó 043 044ó 051 052ó 059 060ó 067 068ó 075 076ó 083 084ó 091 092ó 099 100ó 107 108ó 115 116ó 121 122ó 130 131ó 138 139ó 146 147ó 154 155ó 162 163ó 170 171ó 178 179ó 186 187ó 194 195ó 202 203ó 210 211ó 218 219ó 226 227ó 234 235ó 242 243ó 250 251ó 255	No function R4590 - CalColor 90 Yellow R11 - Light Straw R312 - Canary R03 - Dark Bastard Amber R18 - Flame R20 - Medium Amber R21 - Golden Amber R26 - Light Red R27 - Medium Red R33 - No Color Pink R337 - True Pink R38 - Light Rose R41 - Salmon R42 - Deep Salmon R44 - Middle Rose R349 - Fisher Fuchsia R54 - Special Lavender R64 - Light Steel Blue R364 - Blue Bell R65 - Daylight Blue R80 - Primary Blue R81 - Urban Blue R82 - Surprise Blue R382 - Congo Blue R83 - Medium Blue R383 - Sapphire Blue R90 - Dark Yellow Green R91 - Primary Green R92 - Turquoise R93 - Blue Green R393 - Emerald Green No function

**DMX Values (Cont.)**

15Ch (Cont.)	Channel	Function	Value	Percent/Setting
	15	Color Temperature	000 ó 005	No function
			006 ó 025	2800K
			026 ó 050	3200K
			051 ó 075	3500K
			076 ó 100	4000K
			101 ó 125	4500K
			126 ó 150	5000K
			151 ó 175	5600K
			176 ó 200	6000K
			201 ó 225	6500K
			226 ó 255	No function

13Ch	Channel	Function	Value	Percent/Setting
	1	Dimmer	000 ó 255	0–100%
	2	Dimmer Fine	000 ó 255	0–100%
	3	Red	000 ó 255	0–100%
	4	Red Fine	000 ó 255	0–100%
	5	Green	000 ó 255	0–100%
	6	Green Fine	000 ó 255	0–100%
	7	Blue	000 ó 255	0–100%
	8	Blue Fine	000 ó 255	0–100%
	9	Amber	000 ó 255	0–100%
	10	Amber Fine	000 ó 255	0–100%
	11	Lime	000 ó 255	0–100%
	12	Lime Fine	000 ó 255	0–100%
	13	Strobe	000 ó 010	No function
			011 ó 255	Strobe, slow to fast

12Ch	Channel	Function	Value	Percent/Setting
	1	Dimmer	000 ó 255	0–100%
	2	Red	000 ó 255	0–100%
	3	Green	000 ó 255	0–100%
	4	Blue	000 ó 255	0–100%
	5	Amber	000 ó 255	0–100%
	6	Lime	000 ó 255	0–100%
	7	Strobe	000 ó 010	No function
			011 ó 255	Strobe, slow to fast

**DMX Values (Cont.)**

12Ch (Cont.)	Channel	Function	Value	Percent/Setting
8	Virtual Color Wheel	000	005	No function
		006	013	R4590 - CalColor 90 Yellow
		014	021	R11 - Light Straw
		022	028	R312 - Canary
		029	035	R03 - Dark Bastard Amber
		036	043	R18 - Flame
		044	051	R20 - Medium Amber
		052	059	R21 - Golden Amber
		060	067	R26 - Light Red
		068	075	R27 - Medium Red
		076	083	R33 - No Color Pink
		084	091	R337 - True Pink
		092	099	R38 - Light Rose
		100	107	R41 - Salmon
		108	115	R42 - Deep Salmon
		116	121	R44 - Middle Rose
		122	130	R349 - Fisher Fuchsia
		131	138	R54 - Special Lavender
		139	146	R64 - Light Steel Blue
		147	154	R364 - Blue Bell
		155	162	R65 - Daylight Blue
		163	170	R80 - Primary Blue
		171	178	R81 - Urban Blue
		179	186	R82 - Surprise Blue
		187	194	R382 - Congo Blue
		195	202	R83 - Medium Blue
		203	210	R383 - Sapphire Blue
		211	218	R90 - Dark Yellow Green
		219	226	R91 - Primary Green
		227	234	R92 - Turquoise
235	242	R93 - Blue Green		
243	250	R393 - Emerald Green		
251	255	No function		
9	Color Temperature	000	005	No function
		006	025	2800K
		026	050	3200K
		051	075	3500K
		076	100	4000K
		101	125	4500K
		126	150	5000K
		151	175	5600K
		176	200	6000K
		201	225	6500K
226	255	No function		

**DMX Values (Cont.)**

12Ch (Cont.)	Channel	Function	Value	Percent/Setting
	10	Auto Programs	000 ó 010	No function
			011 ó 060	Auto 1
			061 ó 110	Auto 2
			111 ó 160	Auto 3
			161 ó 210	Auto 4
			211 ó 255	Auto 5
	11	Auto Speed	000 ó 255	Slow to fast
	12	Dimmer Speed	000 ó 051	Preset dimmer speed from display menu
			052 ó 101	Dimmer speed mode off
			102 ó 152	Dimmer speed mode 1 (fastest)
			153 ó 203	Dimmer speed mode 2
			204 ó 255	Dimmer speed mode 3 (slowest)

10Ch	Channel	Function	Value	Percent/Setting
	1	Dimmer	000 ó 255	0–100%
	2	Dimmer Fine	000 ó 255	0–100%
	3	Red	000 ó 255	0–100%
	4	Green	000 ó 255	0–100%
	5	Blue	000 ó 255	0–100%
	6	Amber	000 ó 255	0–100%
	7	Lime	000 ó 255	0–100%
	8	Strobe	000 ó 010	No function
			011 ó 255	Strobe, slow to fast

**DMX Values (Cont.)**

10Ch (Cont.)	Channel	Function	Value	Percent/Setting
9	Virtual Color Wheel	000	005	No function
		006	013	R4590 - CalColor 90 Yellow
		014	021	R11 - Light Straw
		022	028	R312 - Canary
		029	035	R03 - Dark Bastard Amber
		036	043	R18 - Flame
		044	051	R20 - Medium Amber
		052	059	R21 - Golden Amber
		060	067	R26 - Light Red
		068	075	R27 - Medium Red
		076	083	R33 - No Color Pink
		084	091	R337 - True Pink
		092	099	R38 - Light Rose
		100	107	R41 - Salmon
		108	115	R42 - Deep Salmon
		116	121	R44 - Middle Rose
		122	130	R349 - Fisher Fuchsia
		131	138	R54 - Special Lavender
		139	146	R64 - Light Steel Blue
		147	154	R364 - Blue Bell
		155	162	R65 - Daylight Blue
		163	170	R80 - Primary Blue
		171	178	R81 - Urban Blue
		179	186	R82 - Surprise Blue
		187	194	R382 - Congo Blue
		195	202	R83 - Medium Blue
		203	210	R383 - Sapphire Blue
		211	218	R90 - Dark Yellow Green
		219	226	R91 - Primary Green
		227	234	R92 - Turquoise
235	242	R93 - Blue Green		
243	250	R393 - Emerald Green		
251	255	No function		
10	Color Temperature	000	005	No function
		006	025	2800K
		026	050	3200K
		051	075	3500K
		076	100	4000K
		101	125	4500K
		126	150	5000K
		151	175	5600K
		176	200	6000K
		201	225	6500K
226	255	No function		



**DMX Values (Cont.)**

7Ch	Channel	Function	Value	Percent/Setting
	1	Dimmer	000 ó 255	0–100%
	2	Red	000 ó 255	0–100%
	3	Green	000 ó 255	0–100%
	4	Blue	000 ó 255	0–100%
	5	Amber	000 ó 255	0–100%
	6	Lime	000 ó 255	0–100%
	7	Strobe	000 ó 010 011 ó 255	No function Strobe, slow to fast

5Ch	Channel	Function	Value	Percent/Setting
	1	Red	000 ó 255	0–100%
	2	Green	000 ó 255	0–100%
	3	Blue	000 ó 255	0–100%
	4	Amber	000 ó 255	0–100%
	5	Lime	000 ó 255	0–100%

## 5. Technical Information

### Product Maintenance

To maintain optimum performance and minimize wear, clean this product frequently. Usage and environment are contributing factors in determining the cleaning frequency. Clean this product at least twice a month. Dust build-up reduces light output performance and can cause overheating. This can lead to reduced light source life and increased mechanical wear.

To clean your product:

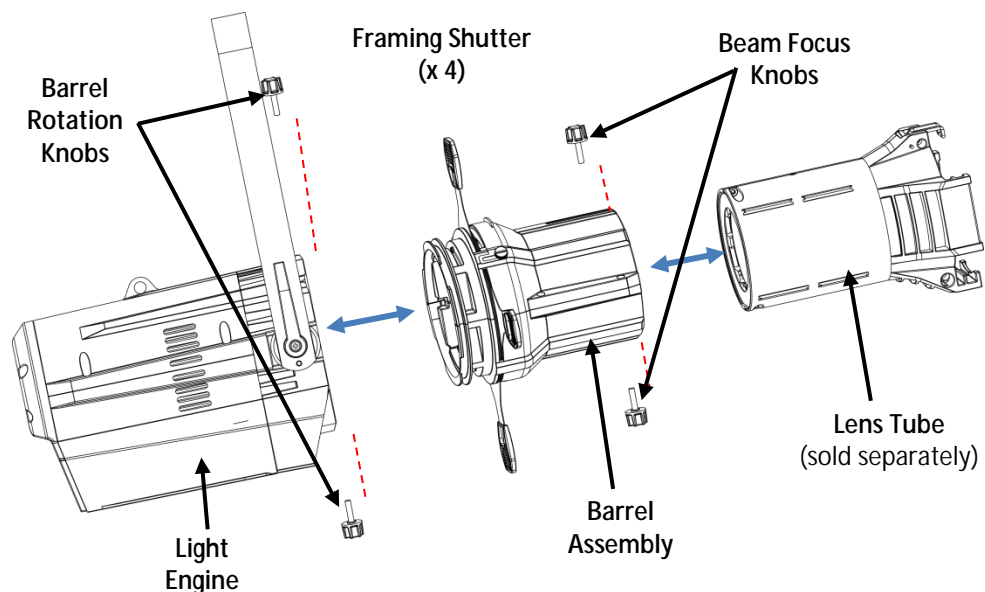
1. Unplug the product from power.
2. Wait until the product is at room temperature.
3. Use a vacuum (or dry compressed air) and a soft brush to remove dust collected on the external vents.
4. Clean all external surfaces with a mild solution of non-ammonia glass cleaner or isopropyl alcohol.
5. Apply the solution directly to a soft, lint-free cotton cloth or a lens cleaning tissue.
6. Wipe any dirt or grime to the outside edges of the lens surface.
7. Gently polish the lens surfaces until they are free of haze and lint.



**Always dry the external surfaces thoroughly and carefully after cleaning them.**



**Do not spin the cooling fans while blowing compressed air into them.**



### Cleaning the Light Engine Lens

The lens inside the light engine may need periodic cleaning. To gain access to this lens, do the following.

1. Separate the light engine from the barrel assembly by unscrewing the barrel rotation knobs.
2. Clean the lens as described in Product Maintenance.



- **Take great care not to damage or scratch the lens assembly, which will now be exposed inside the light engine housing.**
- **Always close the framing shutters when transporting or storing the product.**



**To remove the lens tube (sold separately), unscrew the beam focus knobs. Follow any maintenance and cleaning instructions supplied with the lens tube.**

## 6. Technical Specifications

Dimensions and Weight	<b>Length</b>	<b>Width</b>		<b>Height</b>		<b>Weight</b>				
	19.49 in (495 mm)	11.22 in (285 mm)		19.17 in (487 mm)		15.40 lb (7.1 kg)				
<b>Note:</b> Dimensions in inches rounded to the nearest decimal digit.										
Power	<b>Power Supply Type</b>		<b>Range</b>				<b>Voltage Selection</b>			
	Switching (internal)		100–240 VAC, 50/60 Hz				Auto-ranging			
	<b>Parameter</b>		<b>120 VAC, 60 Hz</b>				<b>230 VAC, 50 Hz</b>			
	Consumption		240 W				234 W			
	Current		2.006 A				1.074 A			
	Power linking current (products)		13.6 A (6 products)				13.6 A (12 products)			
	Fuse/Breaker		T 3.15 A, 250 V				T 3.15 A, 250 V			
	<b>Power I/O</b>		<b>U.S./Canada</b>				<b>Worldwide</b>			
	Power input connector		Neutrik powerCON A				Neutrik powerCON A			
	Power output connector		Neutrik powerCON B				Neutrik powerCON B			
Power cord plug		Edison (U.S.)				Local plug				
Light Source	<b>Type</b>		<b>Power</b>				<b>Lifespan</b>			
	LED		3 W				50,000 hours			
	<b>Color</b>		<b>Quantity</b>				<b>Current</b>			
	Red		18				1.4 A			
	Green		18				1.4 A			
	Blue		19				1.4 A			
	Amber		18				1.4 A			
	Lime Green		18				1.4 A			
Photometrics	<b>Parameter</b>		<b>19° Lens</b>	<b>26° Lens</b>	<b>36° Lens</b>	<b>50° Lens</b>	<b>15°–30° Lens</b>		<b>25°–50° Lens</b>	
	Illuminance @ 5 m		3,017 lx	1,894 lx	1,137 lx	513 lx	3,784 lx	1,223 lx	1,657 lx	647 lx
	Lumens		3,236	4,316	3,918	3,813	N/A	N/A	N/A	N/A
	Beam angle		19°	24°	28°	41°	13°	24°	23°	36°
	Field angle		19°	26°	34°	51°	15°	29°	26°	50°
	Thermal	<b>Max. External Temperature</b>		<b>Cooling System</b>						
113 °F (45 °C)		Fan-Assisted Convection								
DMX	<b>I/O Connectors</b>		<b>Connector Type</b>				<b>Channel Range</b>			
	3- and 5-pin XLR		Sockets				5, 7, 10, 12, 13, 15			
Ordering	<b>Product Name</b>		<b>Item Code</b>				<b>UPC Number</b>			
	Ovation E-910FC		03121116				781462214647			



UL 1573  
CSA C22.2 No. 166  
E113093



**Returns** Send the product prepaid, in the original box, and with the original packing and accessories. Chauvet will not issue call tags.  
Call Chauvet and request a Return Merchandise Authorization (RMA) number before shipping the product. Be prepared to provide the model number, serial number, and a brief description of the cause(s) for the return.  
Clearly label the package with an RMA number. Chauvet will refuse any product returned without an RMA number.



**DO NOT write the RMA number directly on the box. Instead, write it on a properly affixed label.**

Once you have received the RMA number, include the following information on a piece of paper inside the box:

- Your name
- Your address
- Your phone number
- The RMA number
- A brief description of the problem(s)

Be sure to pack the product properly. Any shipping damage resulting from inadequate packaging will be the customer's responsibility. FedEx packing or double-boxing is recommended.



**Chauvet reserves the right to use its own discretion to repair or replace returned product(s).**

# Contact Us

## USA WORLD HEADQUARTERS

### General Information – Chauvet

Address: 5200 NW 108th Avenue  
Sunrise, FL 33351

Voice: (954) 577-4455

Fax: (954) 929-5560

Toll free: (800) 762-1084

### Technical Support

Voice: (954) 577-4455 (Press 4)

Fax: (954) 756-8015

Email: [tech@chauvetlighting.com](mailto:tech@chauvetlighting.com)

**World Wide Web** [www.chauvetlighting.com](http://www.chauvetlighting.com)

## EUROPE

### General Information - Chauvet Europe BVBA

Address: Stokstraat 18  
9770 Kruishoutem  
Belgium

Voice: +32 9 388 93 97

### Technical Support

Email: [Eutech@chauvetlighting.eu](mailto:Eutech@chauvetlighting.eu)

**World Wide Web** [www.chauvetlighting.eu](http://www.chauvetlighting.eu)

### General Information - Chauvet Europe Ltd.

Address: Unit 1C  
Brookhill Road Industrial Estate  
Pinxton, Nottingham, UK  
NG16 6NT

Voice: +44 (0)1773 511115

Fax: +44 (0)1773 511110

### Technical Support

Email: [uktech@chauvetlighting.com](mailto:uktech@chauvetlighting.com)

**World Wide Web** [www.chauvetlighting.co.uk](http://www.chauvetlighting.co.uk)

## MEXICO

### General Information - Chauvet Mexico

Address: Av. Santa Ana 30  
Parque Industrial Lerma  
Lerma, Mexico C.P. 52000

Voice: +52 (728) 285-5000

### Technical Support

Email: [servicio@chauvet.com.mx](mailto:servicio@chauvet.com.mx)

**World Wide Web** [www.chauvet.com.mx](http://www.chauvet.com.mx)

Outside the U.S., United Kingdom, Ireland, Mexico, or Benelux contact the dealer of record. Follow their instructions to request support or to return a product. Visit our website for contact details.